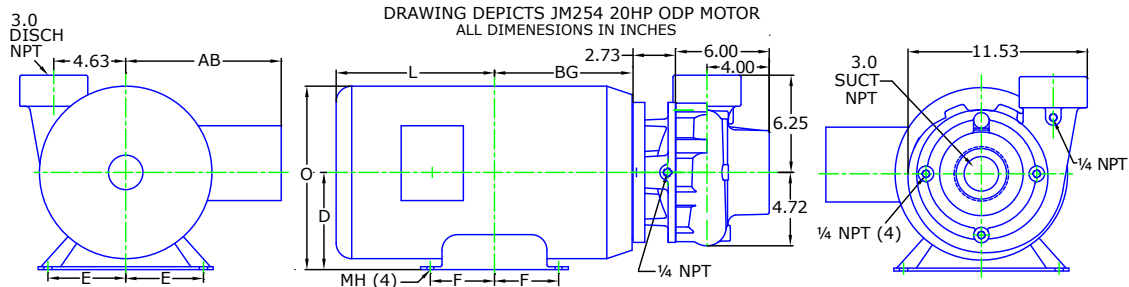




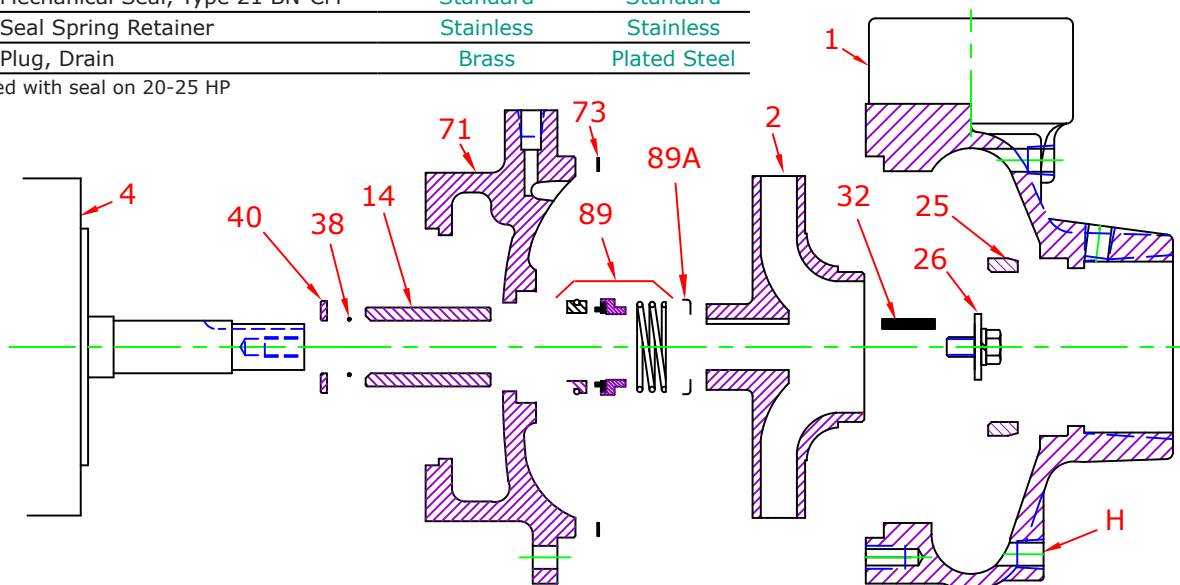
| Motor Dimensions | | | | | | | | | | |
|------------------|------|-------|------|------|------|-------|-------|-------|-------|------|
| HP | Type | Frame | D | E | F | O | AB | BG | L | MH |
| 7.5 | ODP | JM184 | 4.50 | 3.75 | 2.25 | 8.44 | 6.74 | 5.75 | 6.56 | 0.41 |
| 10 | ODP | JM213 | 5.25 | 4.25 | 2.75 | 10.03 | 7.92 | 7.00 | 6.94 | 0.43 |
| 15 | ODP | JM215 | 5.25 | 4.25 | 3.50 | 10.03 | 7.92 | 7.75 | 6.19 | 0.43 |
| 20 | ODP | JM254 | 6.25 | 5.00 | 4.13 | 12.00 | 9.49 | 8.88 | 9.06 | 0.53 |
| 25 | ODP | JM256 | 6.25 | 5.00 | 5.00 | 12.00 | 9.49 | 9.75 | 8.19 | 0.53 |
| 30 | ODP | JM284 | 6.97 | 5.50 | 5.50 | 13.59 | 11.37 | 10.25 | 10.81 | 0.53 |
| 7.5 | TEFC | JM184 | 4.50 | 3.75 | 2.75 | 9.34 | 7.57 | 5.51 | 7.64 | 0.41 |
| 10, 15 | TEFC | JM215 | 5.25 | 4.25 | 3.50 | 10.37 | 8.19 | 6.77 | 9.16 | 0.41 |
| 20, 25 | TEFC | JM256 | 6.25 | 5.00 | 5.00 | 12.76 | 10.48 | 9.01 | 11.70 | 0.53 |
| 30 | TEFC | JM286 | 7.00 | 5.50 | 5.50 | 14.11 | 11.07 | 10.02 | 13.04 | 0.53 |



Construction Options

| Key | Part Name | Standard Fitted | All Iron |
|------|--------------------------------|-----------------|--------------|
| 1 | Case | Iron | Iron |
| 2 | Impeller | Iron | Iron |
| 14 | Shaft Sleeve | Bronze | Stainless |
| 25 | Wear Ring | Bronze | Steel |
| 26 | Impeller Retaining Assy | Stainless | Stainless |
| 32 | Key | Stainless | Stainless |
| 38 | Shaft O-Ring | Buna | Buna |
| 40 | Flinger | Stainless | Stainless |
| 71 | Adapter | Iron | Iron |
| 73 | Gasket, Case | Fiber | Fiber |
| 89 | Mechanical Seal, Type 21 BN-CM | Standard | Standard |
| 89A* | Seal Spring Retainer | Stainless | Stainless |
| H | Plug, Drain | Brass | Plated Steel |

* Included with seal on 20-25 HP



05615TE

D056JP254

0563500JM

A22



A WILO BRAND

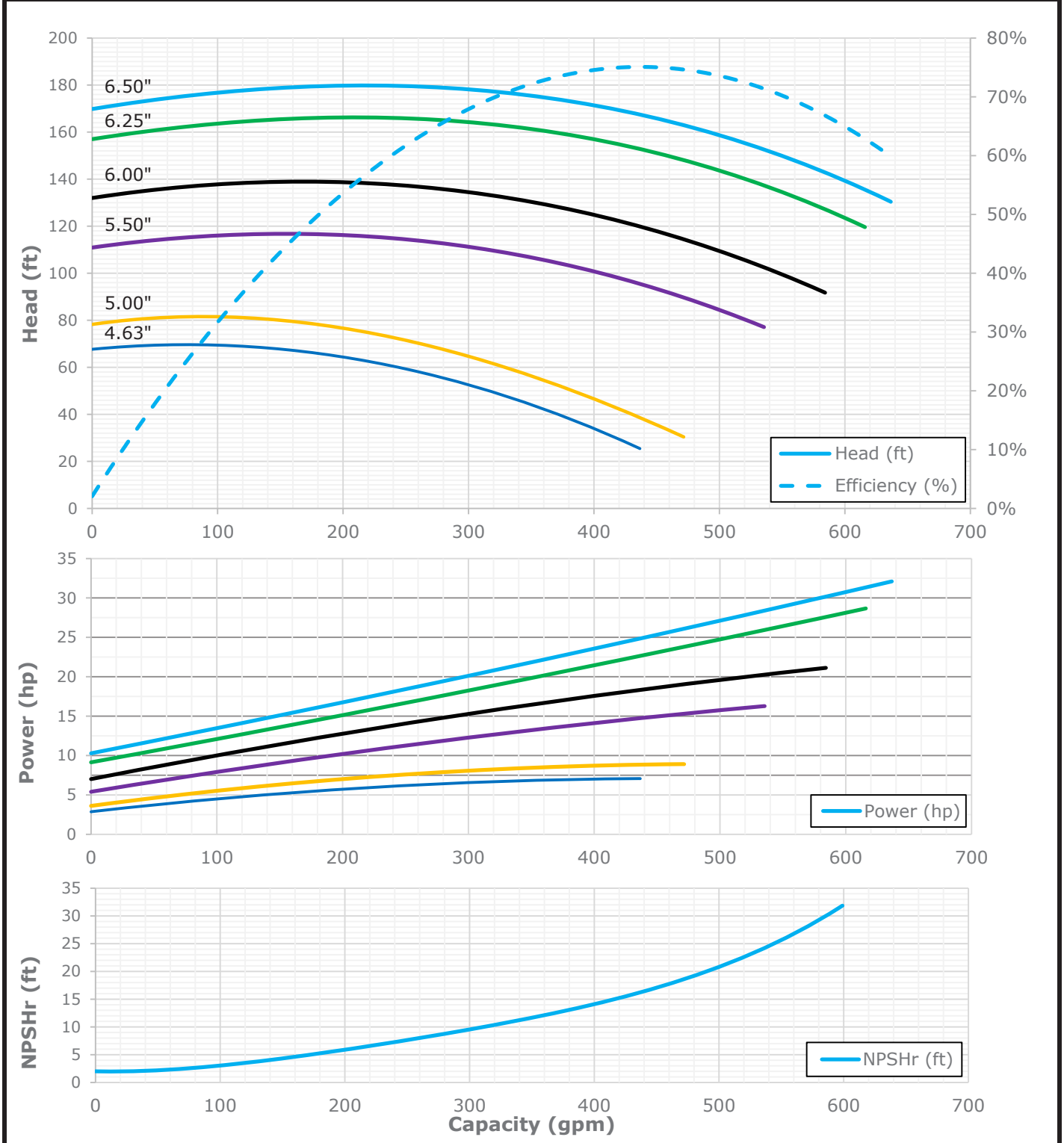
MOTORPUMP™ — 3500 RPM

Iron, 60 Hz, 3 X 3 X 6.5 NPT

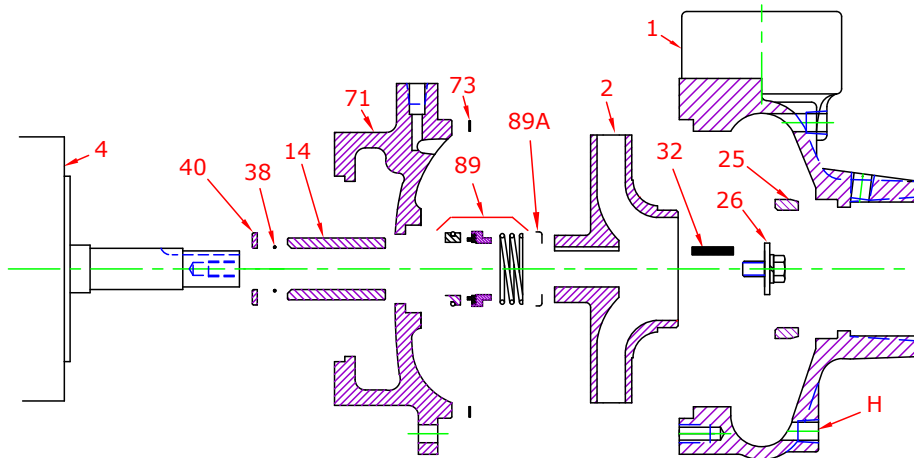
56 JM

Performance Curve

| | | | | | |
|--------------------------------------|---------------------------------------|----------------------|-----------------------------------|-------------------|--|
| Performance Curve Number: 40.000.221 | Pump 56/56F 3.0 X 3.0 X 6.5 | 1.00 S.G. 70.0 °F | Imp. Type: Enclosed 11/12/2019 | 3500 RPM 60 Hz | Max Sphere: 1/2" PEI _{CL} 0.98 |
|--------------------------------------|---------------------------------------|----------------------|-----------------------------------|-------------------|--|



Parts

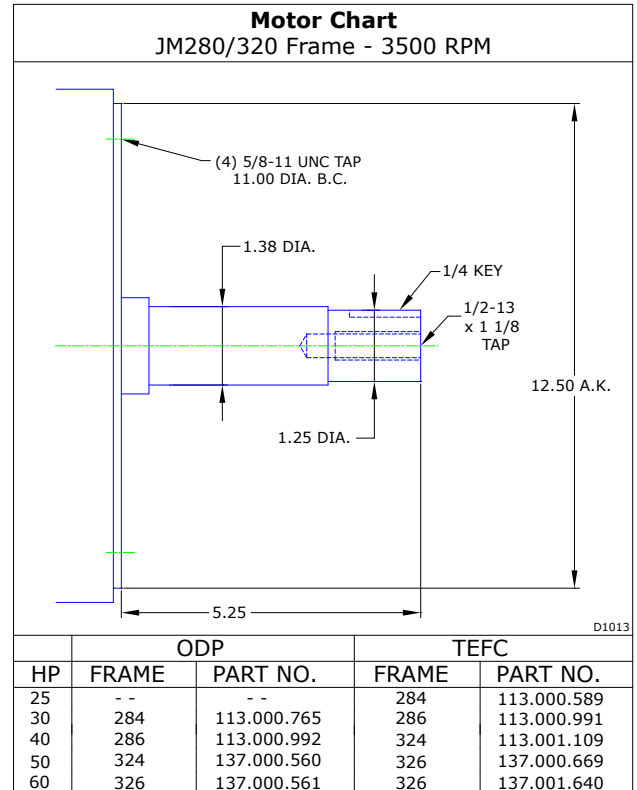
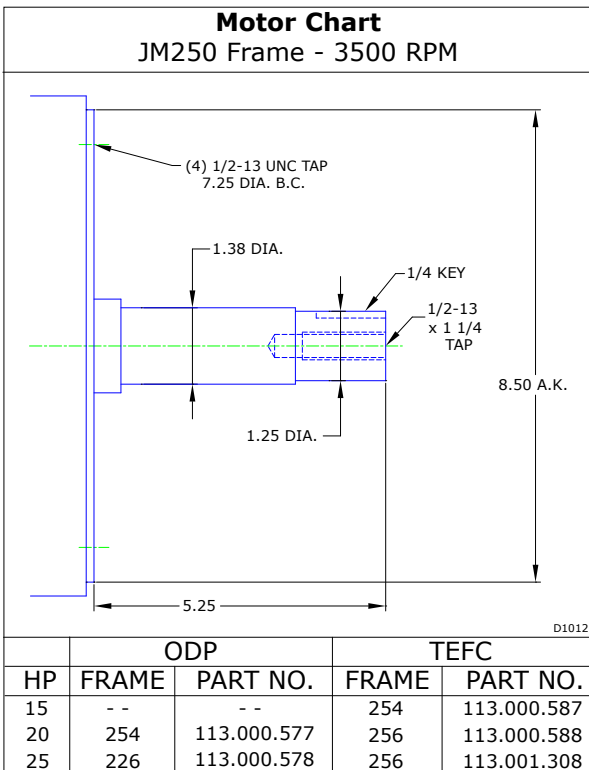
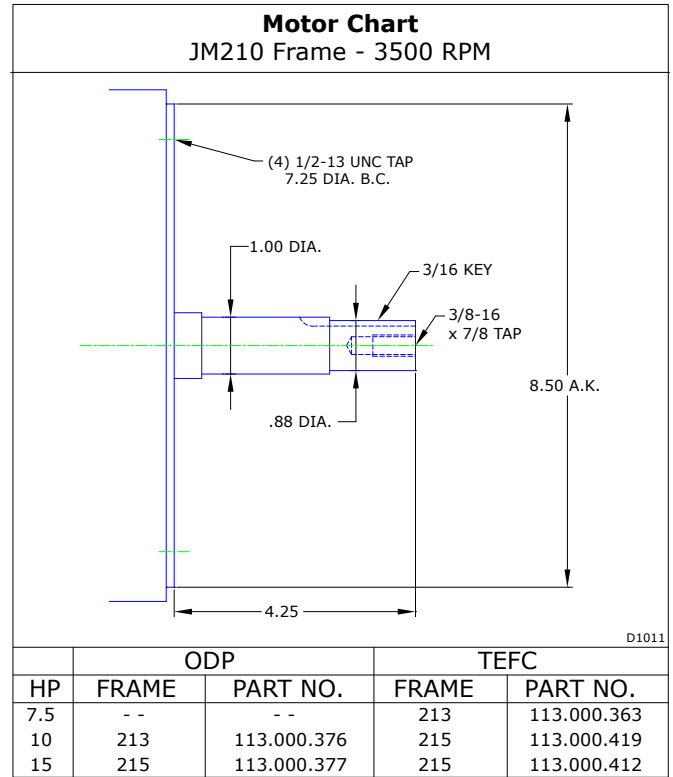
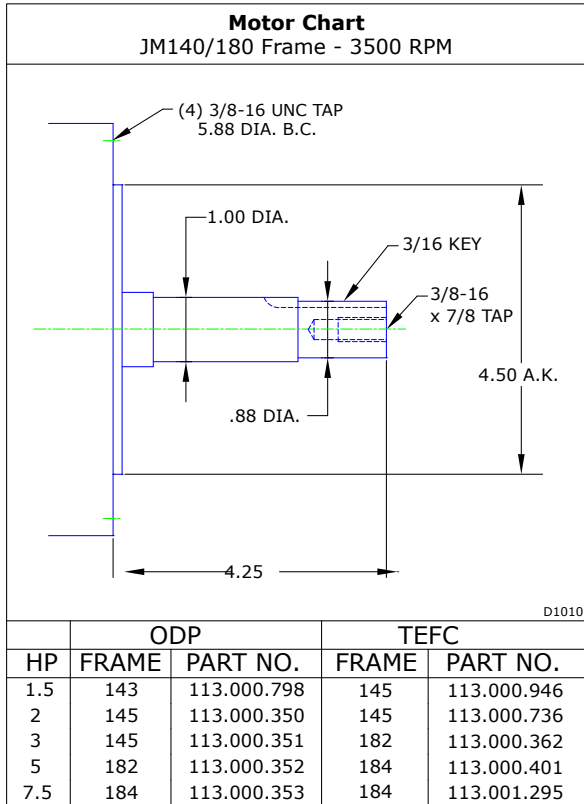


| Key | Part Name | Part Number | |
|------|---|-----------------|-------------------|
| | | 7.5-15 HP | 20-30 HP |
| 1+ | Case 55/56, Iron, 3 X 3 NPT Bronze Wear Ring & plugs | 130.000.243X | 130.000.243X |
| | Case 55/56, Iron, 4 X 3 NPT Bronze Wear Ring & plugs | -- | 130.000.244X |
| 2 | | 7/8" Key | 1 1/4" Key |
| | Impeller 56, Iron, Specify Dia., 6.50 Max | 131.000.809 | 131.000.824 |
| 4 | Motor, JM140/180 | See Chart | -- |
| | Motor, JM210 | See Chart | -- |
| | Motor, JM250 | -- | See Chart |
| | Motor chart, JM280/320 | -- | See Chart |
| 14* | Shaft sleeve, Bronze | 110.000.178 | 110.000.248 |
| | Shaft sleeve, Stainless | 110.000.192 | 110.000.261 |
| 25 | Wear ring, Bronze | 103.000.138 | 103.000.138 |
| | Wear ring, Steel | 103.000.152 | 103.000.152 |
| 26* | Impeller retaining assembly, Stainless | 118.000.163A | 118.000.234 |
| 32* | Key, Stainless | 102.000.102 | 102.000.208 |
| 38* | O-ring, Shaft, Buna | 116.000.117 | 116.000.218 |
| | O-ring, Shaft, Viton | 116.000.105 | 116.000.218A |
| 40* | Flinger, Stainless | 104.000.165 | 104.000.200 |
| 71 | Adapter, Iron, JM140/180 1-1/2" Seal, with Brass plug | 132.000.202X | -- |
| | Adapter, Iron, JM210 1-1/2" Seal, with Brass plug | 132.000.213X | -- |
| | Adapter, Iron, JM250 1-3/4" Seal, with Brass plug | -- | 132.000.245X |
| | Adapter, Iron, JM280 1-3/4" Seal, with Brass plug | -- | 132.000.246X |
| 73* | Gasket, Case, Fiber | 116.000.157 | 116.000.157 |
| 89* | | 1 1/2" | 1 3/4" |
| | Seal, Type 21, BN-CARB/CM | 101.000.168 | 101.000.196 |
| | Seal, Type 21, EPDM-CARB/SIL | 101.000.175B | 101.000.196B |
| | Seal, Type 21, EPDM-SIL/SIL | 101.000.204A | 137.001.555 |
| | Seal, Type 21, VN-CARB/CM | 101.000.191 | 101.000.216 |
| | Seal, Type 21, VN-CARB/SIL | 101.000.175 | 101.000.221 |
| 89A* | Seal spring retainer, Stainless | 104.000.174 | Included w/seal |
| | | | |
| KIT | Repair Kit, BN-CARB/CM Seal, Brz sleeve, BN O-ring | 118.000.344 | 118.000.345 |
| | Repair Kit, EPDM-CARB/SIL Seal, Brz sleeve, BN O-ring | 118.000.344C | 118.000.345F |
| | Repair Kit, EPDM-SIL/SIL Seal, Brz sleeve, BN O-ring | 118.000.344D | 118.000.345G |
| | Repair Kit, VN-CARB/CM Seal, Brz sleeve, BN O-ring | 118.000.344K | 118.000.345E |
| | Repair Kit, VN-CARB/CM Seal, Stn sleeve, VN O-ring | 118.000.344A | 118.000.345A |
| | Repair Kit, VN-CARB/SIL Seal, Brz sleeve, BN O-ring | 118.000.344B | 118.000.345B |
| | Repair Kit, VN-SIL/SIL Seal, Stn sleeve, VN O-ring | 118.000.344F | 118.000.345C |

* Denotes components included in repair kit.

+ Includes bronze wear ring. For steel, replace suffix "X" with "X1".

Motor Charts



D1010
D1011
D1012
D1013
A22