

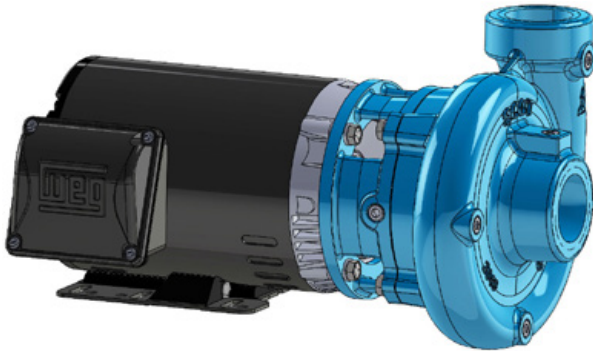


A WILO BRAND

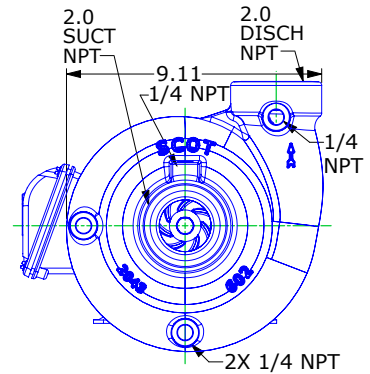
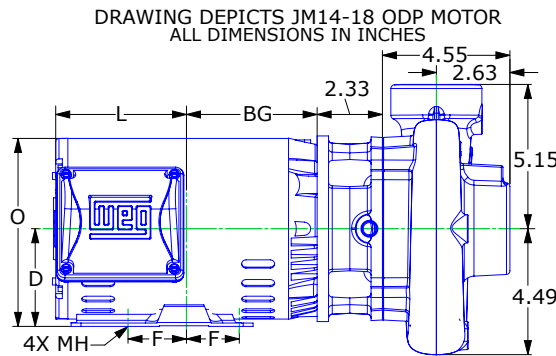
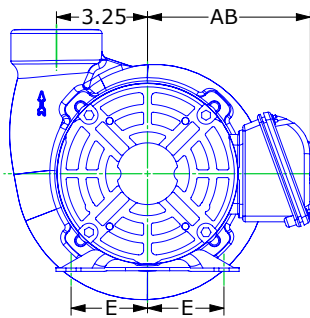
MOTORPUMP™ — 3500 RPM

Iron, 60 Hz, 2 X 2 X 5.63 NPT

602 JM

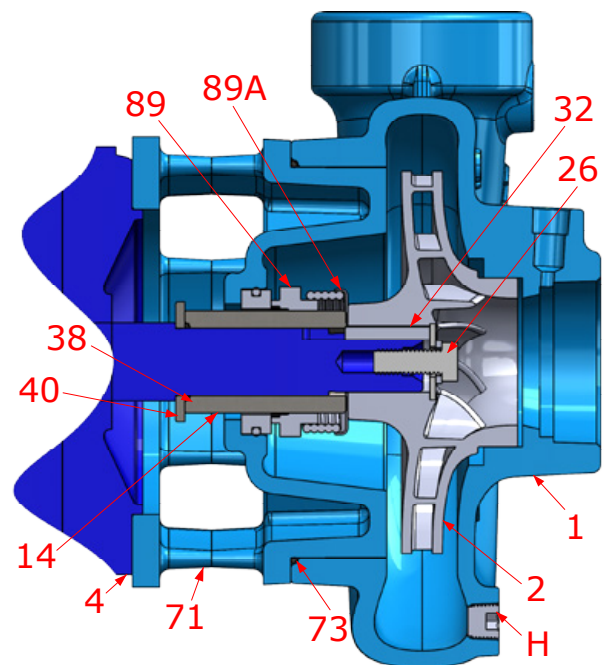


Motor Dimensions										
NEMA	Premium Efficient	JM Frame	3 Phase	3500 RPM						
HP	Type	Frame	D	E	F	O	AB	BG	L	MH
1.5	ODP	JM143	3.50	2.75	2.00	6.77	5.61	4.88	4.62	0.34
2, 3	ODP	JM145	3.50	2.75	2.50	6.77	5.61	5.38	4.12	0.34
5	ODP	JM182	4.50	3.75	2.25	8.44	6.74	5.75	5.12	0.41
7.5	ODP	JM184	4.50	3.75	2.25	8.44	6.74	5.75	6.56	0.41
1.5	TEFC	JM143	3.50	2.75	2.00	7.00	6.25	4.57	5.85	0.34
2	TEFC	JM145	3.50	2.75	2.50	7.00	6.25	5.06	6.34	0.34
3	TEFC	JM182	4.50	3.75	2.25	8.85	7.57	5.01	7.14	0.41
5, 7.5	TEFC	JM184	4.50	3.75	2.75	9.34	7.57	5.51	7.64	0.41



Construction Options

Key	Part Name	Standard Fitted	All Iron
1	Case	Ductile Iron	Ductile Iron
2	Impeller	304SS	304SS
14	Shaft Sleeve	Bronze	304SS
26	Impeller Retaining Assembly	Stainless	Stainless
32	Key	Stainless	Stainless
38	O-Ring, Shaft	Buna	Buna
40	Flinger	Stainless	Stainless
71	Adapter	Ductile Iron	Ductile Iron
73	Gasket, Case	Buna	Buna
89	Mechanical Seal, Type 21 BN-CM	Standard	Standard
89A	Seal Retainer	Stainless	Stainless
H	Plug, Drain	Brass	Plated Steel





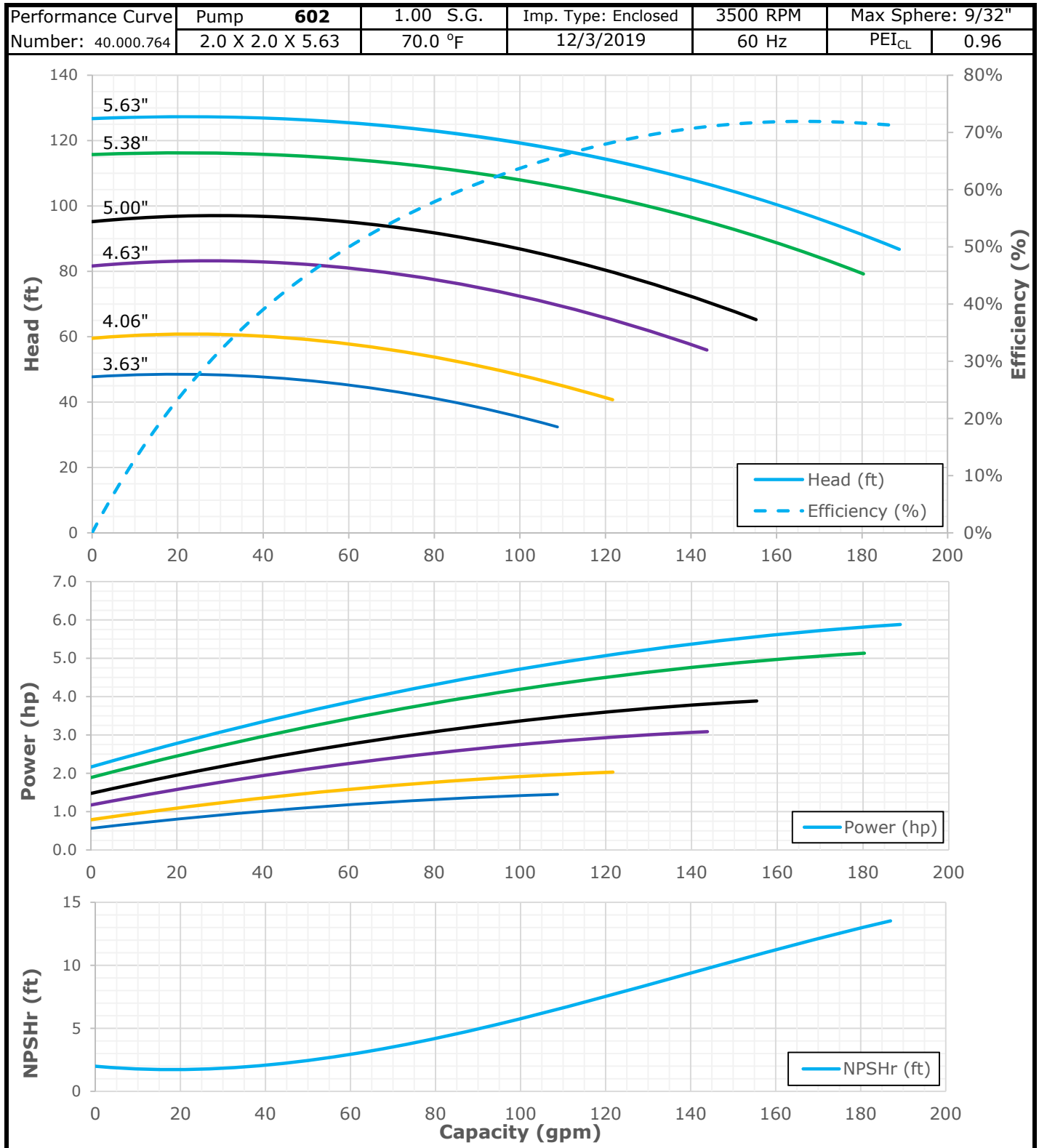
A WILO BRAND

MOTORPUMP™ — 3500 RPM

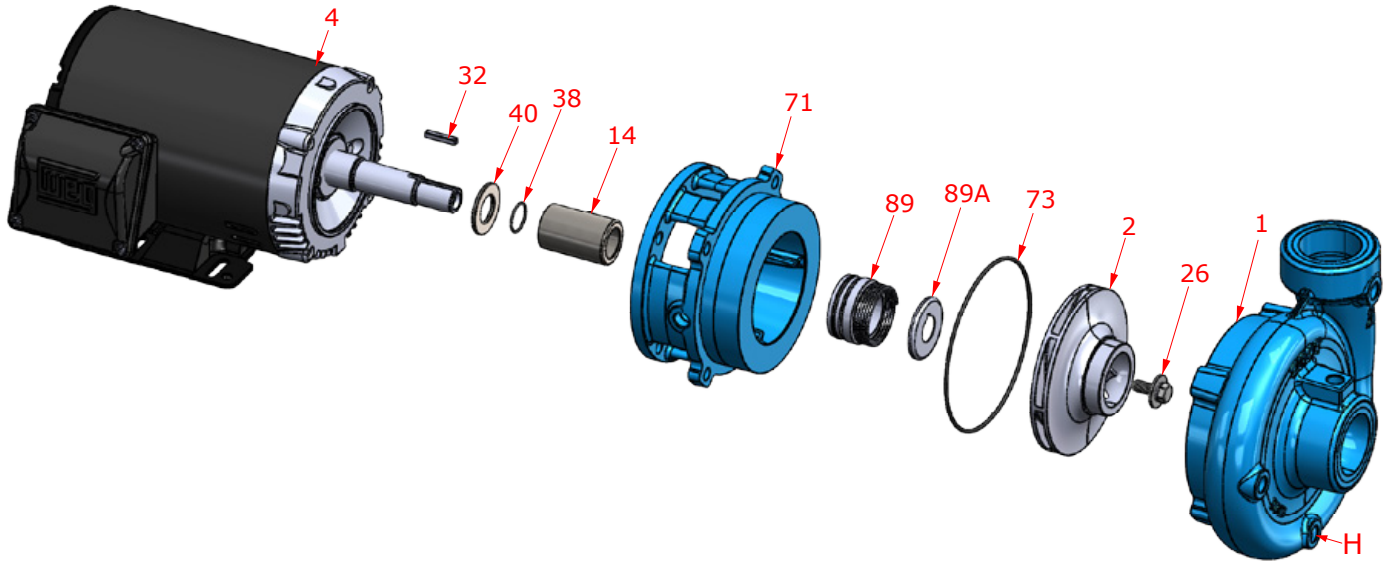
Iron, 60 Hz, 2 X 2 X 5.63 NPT

602 JM

Performance Curve



Parts



Key	Part Name	Part Number
1	Case 602, Ductile Iron, 2.00 X 2.00 NPT Brass plugs	3301063X
2	Impeller 602, Stainless, Specify Dia., 5.63 Max 7/8" Key	3301076
4	Motor chart, JM140/180	See Chart
14*	Shaft sleeve, Bronze	110.000.178
	Shaft sleeve, Stainless	110.000.192
26*	Impeller retaining assembly, Stainless	3301394
32*	Key, Stainless	102.000.102
38*	O-ring, Shaft, Buna	116.000.117
	O-ring, Shaft, Viton	116.000.105
40*	Flinger, Stainless	104.000.165
71	Adapter, Iron, JM140/180 1-1/2" Seal, Brass plug	3301071X
73*	Gasket, Case, Buna	116.000.146
89*	Seal, 1-1/2", Type 21, BN-CARB/CM	101.000.168
	Seal, 1-1/2", Type 21, EPDM-CARB/SIL	101.000.175B
	Seal, 1-1/2", Type 21, EPDM-SIL/SIL	101.000.204A
	Seal, 1-1/2", Type 21, VN-CARB/CM	101.000.191
	Seal, 1-1/2", Type 21, VN-CARB/SIL	101.000.175
	Seal, 1-1/2", Type 21, VN-SIL/SIL	101.000.204
89A*	Seal spring retainer, Stainless	104.000.174
KIT	Repair Kit, 1-1/2" BN-CARB/CM Seal, Brz sleeve, BN O-ring	3301413
	Repair Kit, 1-1/2" EPDM-CARB/SIL Seal, Brz sleeve, BN O-ring	3301416
	Repair Kit, 1-1/2" EPDM-SIL/SIL Seal, Brz sleeve, BN O-ring	3301419
	Repair Kit, 1-1/2" VN-CARB/CM Seal, Brz sleeve, BN O-ring	3301420
	Repair Kit, 1-1/2" VN-CARB/CM Seal, Stn sleeve, VN O-ring	3301414
	Repair Kit, 1-1/2" VN-CARB/SIL Seal, Brz sleeve, BN O-ring	3301415
	Repair Kit, 1-1/2" VN-SIL/SIL Seal, Stn sleeve, VN O-ring	3301418

* Denotes components included in repair kit.

Motor Charts

