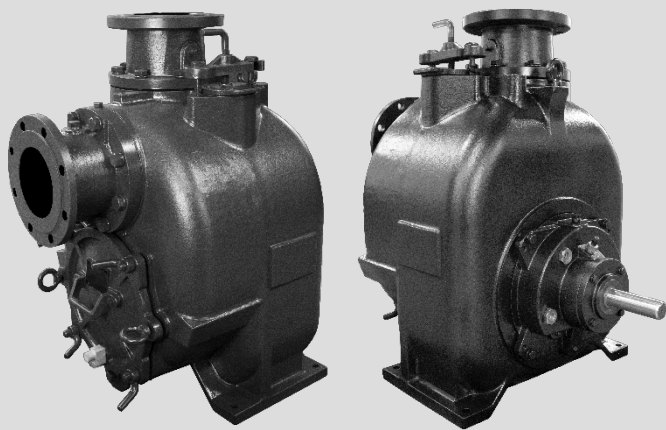




A WILO BRAND



## 490 Series SXT 6" x 6" Self-Priming Pumps

Installation and Operating Manual

# TABLE OF CONTENTS

<b>INTRODUCTION</b>	- 3 -
<b>SAFETY SECTION A</b>	- 5 -
<b>INSTALLATION SECTION B</b>	- 6 -
<b>Pump Dimensions</b>	- 6 -
<b>PREINSTALLATION INSPECTION</b>	- 7 -
<b>POSITIONING PUMP</b>	- 7 -
<b>Lifting</b>	- 7 -
<b>Mounting</b>	- 7 -
<b>Clearance</b>	- 7 -
<b>SUCTION AND DISCHARGE PIPING</b>	- 8 -
<b>Materials</b>	- 8 -
<b>Line Configuration</b>	- 8 -
<b>Connections to Pump</b>	- 8 -
<b>Gauges</b>	- 8 -
<b>SUCTION LINES</b>	- 8 -
<b>Fittings</b>	- 8 -
<b>Strainers</b>	- 8 -
<b>Sealing</b>	- 9 -
<b>Suction Lines In Sumps</b>	- 9 -
<b>Suction Line Positioning</b>	- 9 -
<b>DISCHARGE LINES</b>	- 10 -
<b>Siphoning</b>	- 10 -
<b>Valves</b>	- 10 -
<b>Bypass Lines</b>	- 11 -
<b>AUTOMATIC AIR RELEASE VALVE</b>	- 11 -
<b>Theory of Operation</b>	- 11 -
<b>Air Release Valve Installation</b>	- 12 -
<b>ALIGNMENT</b>	- 13 -
<b>Coupled Drives</b>	- 13 -
<b>Drive Belts</b>	- 14 -
<b>OPERATION SECTION C</b>	- 15 -
<b>PRIMING</b>	- 15 -
<b>STARTING</b>	- 15 -
<b>Rotation</b>	- 15 -
<b>OPERATION</b>	- 16 -
<b>Lines With a Bypass</b>	- 16 -
<b>Lines Without a Bypass</b>	- 16 -
<b>Leakage</b>	- 16 -
<b>Liquid Temperature And Overheating</b>	- 16 -

<b>Strainer Check</b> .....	- 17 -
<b>Pump Vacuum Check</b> .....	- 17 -
<b>STOPPING</b> .....	- 17 -
<b>Cold Weather Preservation</b> .....	- 17 -
<b>BEARING TEMPERATURE CHECK</b> .....	- 18 -
<b>TROUBLESHOOTING SECTION D</b> .....	- 18 -
<b>PREVENTIVE MAINTENANCE</b> .....	- 20 -
<b>PERFORMANCE CURVE</b> .....	- 22 -
<b>ILLUSTRATION</b> .....	- 23 -
<b>PARTS LIST</b> .....	- 24 -
<b>PUMP AND SEAL DISASSEMBLY AND REASSEMBLY</b> .....	- 25 -
<b>Back Cover and Wear Plate Removal</b> .....	- 25 -
<b>Suction Check Valve Removal</b> .....	- 26 -
<b>Rotating Assembly Removal</b> .....	- 26 -
<b>Impeller Removal</b> .....	- 27 -
<b>Seal Removal</b> .....	- 27 -
<b>Shaft and Bearing Removal and Disassembly</b> .....	- 28 -
<b>Shaft and Bearing Reassembly and Installation</b> .....	- 29 -
<b>Seal Installation</b> .....	- 30 -
<b>Impeller Installation and Adjustment</b> .....	- 33 -
<b>Rotating Assembly Installation</b> .....	- 33 -
<b>Suction Check Valve Installation</b> .....	- 34 -
<b>Back Cover and Wear Plate Installation and Adjustment</b> .....	- 34 -
<b>PRESSURE RELIEF VALVE MAINTENANCE</b> .....	- 36 -
<b>Final Pump Assembly</b> .....	- 36 -
<b>LUBRICATION</b> .....	- 36 -
<b>Seal Assembly</b> .....	- 36 -
<b>Bearings</b> .....	- 36 -
<b>Power Source</b> .....	- 37 -
<b>WARRANTY</b> .....	- 38 -

## **INTRODUCTION**

**Thank You** for purchasing an American-Marsh Pump. Read this manual carefully to learn how to safely install and operate your pump. Failure to do so could result in personal injury or damage to the pump.

Because pump installations are seldom identical, this manual cannot possibly provide detailed instructions and precautions for every aspect of each specific application. Therefore, it is the responsibility of the owner/installer of the pump to ensure that applications not addressed in this manual are performed only after establishing that neither operator safety nor pump integrity are compromised by the installation. Pumps and related equipment must be installed and operated according to all national, local and industry standards.

If there are any questions regarding the pump or its application which are not covered in this manual or in other literature accompanying this unit, please contact your AMP distributor:

### **American-Marsh Pumps**

550 E. South St.

Collierville, TN 38017

Phone: +901-860-2300

For information or technical assistance on the power source, contact the power source manufacturer's local dealer or representative.

## **RECORD YOUR PUMP MODEL AND SERIAL NUMBER**

Please record your pump model and serial number in the spaces provided below.  
Your American-Marsh Pumps (AMP) distributor needs this information when you require parts or service.

Pump Model: \_\_\_\_\_

Serial Number: \_\_\_\_\_

## HAZARD AND INSTRUCTION DEFINITIONS

The following are used to alert maintenance personnel to procedures which require special attention, to those which could damage equipment, and to those which could be dangerous to personnel:

## HAZARD AND INSTRUCTION DEFINITIONS

The following are used to alert maintenance personnel to procedures which require special attention, to those which could damage equipment, and to those which could be dangerous to personnel:



**DANGER:** Immediate hazards which WILL result in severe personal injury or death. These instructions describe the procedure required and the injury which will result from failure to follow the procedure.



**WARNING:** Hazards or unsafe practices which COULD result in severe personal injury or death. These instructions describe the procedure required and the injury which could result from failure to follow the procedure.



**CAUTION:** Hazards or unsafe practices which COULD result in minor personal injury or product or property damage. These instructions describe the requirements and the possible damage which could result from failure to follow the procedure.

**NOTE:** *Instructions to aid in installation, operation, and maintenance or which clarify a procedure.*

## NOTE

*Instructions to aid in installation, operation, and maintenance or which clarify a procedure.*

## SAFETY SECTION A

This information applies to the 490 Series SXT 6"x6" pumps. AMP has no control over or particular knowledge of the power source which will be used. Refer to the manual accompanying the power source before attempting to begin operation.

This manual will alert personnel to known procedures which require special attention, to those which could damage equipment, and to those which could be dangerous to personnel. However, this manual cannot possibly provide detailed instructions and precautions for each specific application or for every situation that might occur during maintenance of the unit. Therefore, it is the responsibility of the owner, installer and/or maintenance personnel to ensure that applications and/or maintenance procedures **NOT** addressed in this manual are performed **ONLY** after establishing that neither personal safety **NOR** pump integrity are compromised by such applications or procedures.



**This pump is designed to handle most non-volatile, non-flammable liquids containing specified entrained solids. DO NOT attempt to pump volatile, corrosive, or flammable materials which may damage the pump or endanger personnel as a result of pump failure.**



**After the pump has been positioned, make certain that the pump and all piping connections are tight, properly supported, and secure before operation.**



**Do not operate the pump without the guards in place over the rotating parts. Exposed rotating parts can catch clothing, fingers, or tools, causing severe injury to personnel. Do not remove plates, covers, gauges, pipe plugs, or fittings from an overheated pump. Vapor pressure within the pump can cause parts being disengaged to be ejected with great force. Allow the pump to cool before servicing.**



**Do not operate the pump against a closed discharge valve for long periods of time. If operated against a closed discharge valve, pump components will deteriorate, and the liquid could come to a boil, build pressure, and cause the pump casing to rupture or explode.**

**Death or serious personal injury and damage to the pump or components can occur if proper lifting procedures are not observed. Make certain that hoists, chains, slings, or cables are in good working condition and of sufficient capacity and that they are positioned so that loads will be balanced, and the pump or components will not be damaged when lifting. Suction and discharge hoses and piping must be removed from the pump before lifting. Lift the pump or component only as high as necessary and keep personnel away from suspended objects.**

## INSTALLATION SECTION B

### Review all SAFETY information in Section A.

Since pump installations are seldom identical, this section offers only general recommendations and practices required to inspect, position, and arrange the pump and piping.

Most of the information pertains to a standard static lift application where the pump is positioned above the free level of liquid to be pumped.

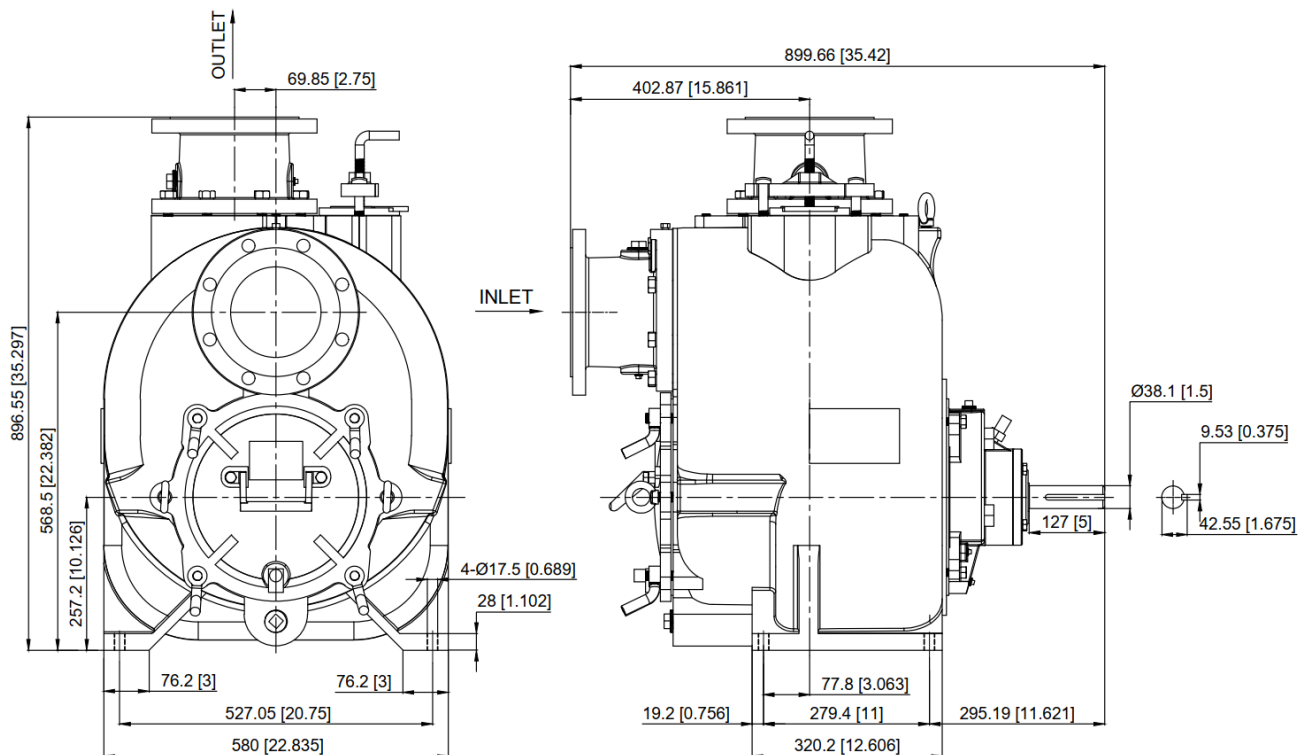
If installed in a flooded suction application where the liquid is supplied to the pump under pressure, some of the information such as mounting, line configuration, and priming must be tailored to the specific application. Since the pressure supplied to the pump is critical to performance and safety, be sure to limit the incoming pressure to 50% of the maximum permissible operating pressure as shown on the pump performance curve.

For further assistance, contact your AMP distributor.

### Pump Dimensions

See **Figures 1** for the approximate physical dimensions of the pump.

### OUTLINE DRAWING



**Figure 1. Pump Model SXT-6"X6"**

## PREINSTALLATION INSPECTION

The pump assembly was inspected and tested before shipment from the factory. Before installation, inspect the pump for damage which may have occurred during shipment. Check as follows:

- a. Inspect the pump for cracks, dents, damaged threads, and other obvious damage.
- b. Check for and tighten loose attaching hardware. Since gaskets tend to shrink after drying, check for loose hardware at mating surfaces.
- c. Carefully read all warnings and cautions contained in this manual or affixed to the pump, and perform all duties indicated. Note the direction of rotation indicated on the pump. Check that the pump shaft rotates counterclockwise when facing the impeller.



**d. Only operate this pump in the direction indicated by the arrow on the pump body and on the accompanying decal. Refer to ROTATION in OPERATION, Section C.**

- e. Check levels and lubricate as necessary. Refer to LUBRICATION in the MAINTENANCE AND REPAIR section of this manual and perform duties as instructed.
- f. If the pump and power source have been stored for more than 12 months, some of the components or lubricants may have exceeded their maximum shelf life. These must be inspected or replaced to ensure maximum pump service.

If the maximum shelf life has been exceeded, or if anything appears to be abnormal, contact your AMP distributor to determine the repair or updating policy. Do not put the pump into service until appropriate action has been taken.

## POSITIONING PUMP

### Lifting

Pump unit weights will vary depending on the mounting and drive provided. Check the shipping tag on the unit packaging for the actual weight, and use lifting equipment with appropriate capacity. Drain the pump and remove all customer-installed equipment such as suction and discharge hoses or piping before attempting to lift existing, installed units.



**Death or serious personal injury and damage to the pump or components can occur if proper lifting procedures are not observed. Make certain that hoists, chains, slings or cables are in good working condition and of sufficient capacity and that they are positioned so that loads will be balanced, and the pump or components will not be damaged when lifting. Suction and discharge hoses and piping must be removed from the pump before lifting. Lift the pump or component only as high as necessary and keep personnel.**

### Mounting

Locate the pump in an accessible place as close as practical to the liquid being pumped. Level mounting is essential for proper operation.

The pump may have to be supported or shimmed to provide for level operation or to eliminate vibration.

### Clearance

It is recommended that **18 inches (457 mm)** of clearance be provided in front of the back cover to permit removal



of the cover and easy access to the pump interior. A minimum clearance of 11 inches (279,4 mm) must be maintained to permit removal of the cover.

## **SUCTION AND DISCHARGE PIPING**

Pump performance is adversely affected by increased suction lift, discharge elevation, and friction losses. See the performance curve and operating range shown in **SECTION E** to be sure your overall application allows pump to operate within the safe operation range.

### **Materials**

Either pipe or hose maybe used for suction and discharge lines; however, the materials must be compatible with the liquid being pumped. If hose is used in suction lines, it must be the rigid-wall, reinforced type to prevent collapse under suction. Using piping couplings in suction lines is not recommended.

### **Line Configuration**

Keep suction and discharge lines as straight as possible to minimize friction losses. Make minimum use of elbows and fittings, which substantially increase friction loss. If elbows are necessary, use the long-radius type to minimize friction loss.

### **Connections to Pump**

Before tightening a connecting flange, align it exactly with the pump port. Never pull a pipeline into place by tightening the flange bolts and/or couplings.

Lines near the pump must be independently supported to avoid strain on the pump which could cause excessive vibration, decreased bearing life, and increased shaft and seal wear. If hose-type lines are used, they should have adequate support to secure them when filled with liquid and under pressure.

### **Gauges**

Most pumps are drilled and tapped for installing discharge pressure and vacuum suction gauges. If these gauges are desired for pumps that are not tapped, drill and tap the suction and discharge lines not less than 18 inches (457,2 mm) from the suction and discharge ports and install the lines. Installation closer to the pump may result in erratic readings.

## **SUCTION LINES**

To avoid air pockets which could affect pump priming, the suction line must be as short and direct as possible. When operation involves a suction lift, the line must always slope upward to the pump from the source of the liquid being pumped; if the line slopes down to the pump at any point along the suction run, air pockets will be created.

### **Fittings**

Suction lines should be the same size as the pump inlet. If reducers are used in suction lines, they should be the eccentric type, and should be installed with the flat part of the reducers uppermost to avoid creating air pockets. Valves are not normally used in suction lines, but if a valve is used, install it with the stem horizontal to avoid air pockets.

### **Strainers**

If a strainer is furnished with the pump, be certain to use it; any spherical solids which pass through

a strainer furnished with the pump will also pass through the pump itself.

If a strainer is not furnished with the pump, but is installed by the pump user, make certain that the total area of the openings in the strainer is at least three or four times the cross section of the suction line, and that the openings will not permit passage of solids larger than the solids handling capability of the pump.

This pump is designed to handle up to **3-inch (76,2 mm)** diameter spherical solids.

### **Sealing**

Since even a slight leak will affect priming, head, and capacity, especially when operating with a high suction lift, all connections in the suction line should be sealed with pipe dope to ensure an air-tight seal. Follow the sealant manufacturer's recommendations when selecting and applying the pipe dope. The pipe dope should be compatible with the liquid being pumped.

### **Suction Lines In Sumps**

If a single suction line is installed in a sump, it should be positioned away from the wall of the sump at a distance equal to 1 1/2 times the diameter of the suction line.

If there is a liquid flow from an open pipe into the sump, the flow should be kept away from the suction inlet because the inflow will carry air down into the sump, and air entering the suction line will reduce pump efficiency.

If it is necessary to position inflow close to the suction inlet, install a baffle between the inflow and the suction inlet at a distance 1 1/2 times the diameter of the suction pipe. The baffle will allow entrained air to escape from the liquid before it is drawn into the suction inlet.

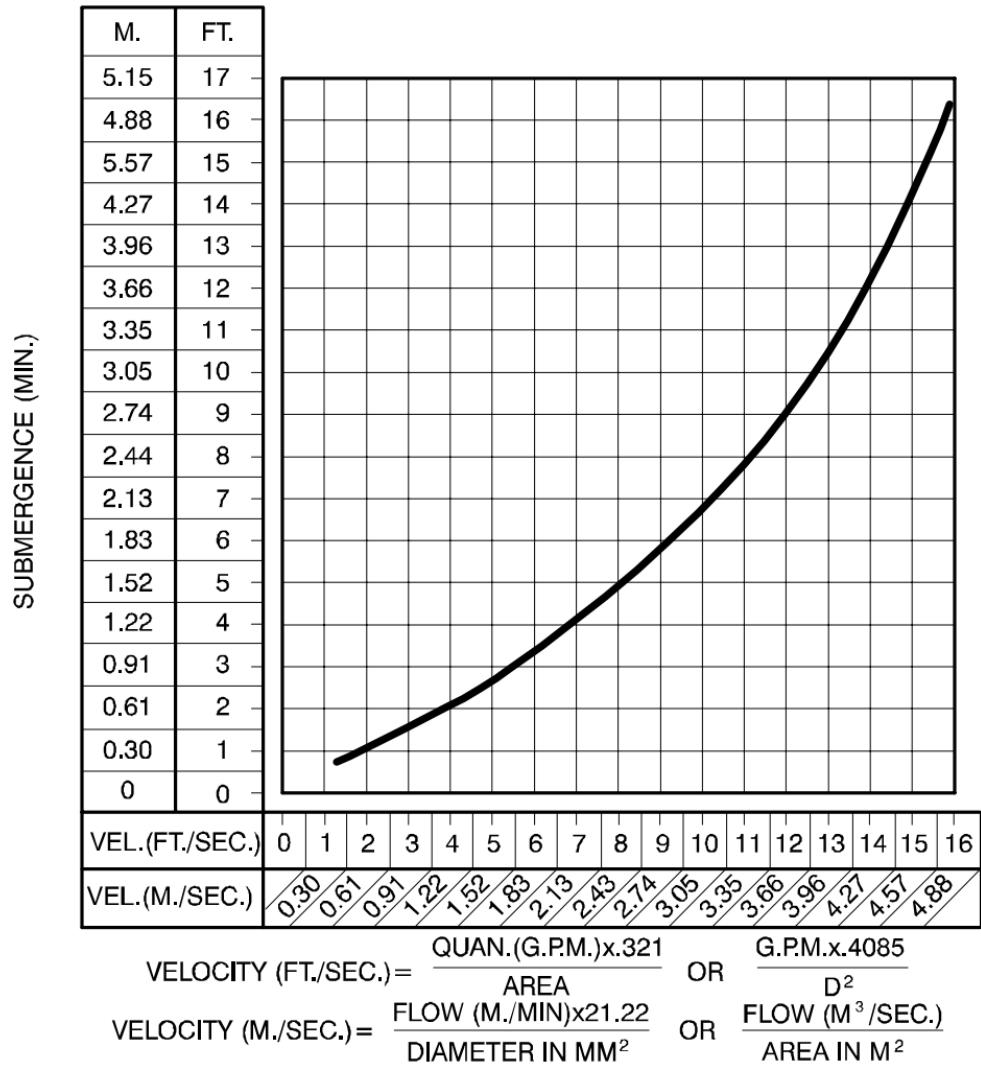
If two suction lines are installed in a single sump, the flow paths may interact, reducing the efficiency of one or both pumps. To avoid this, position the suction inlets so that they are separated by a distance equal to at least 3 times the diameter of the suction pipe.

### **Suction Line Positioning**

The depth of submergence of the suction line is critical to efficient pump operation. **Figure 2** shows recommended minimum submergence vs. velocity.

### **NOTE**

*The pipe submergence required may be reduced by installing a standard pipe increaser fitting at the end of the suction line. The larger opening size will reduce the inlet velocity. Calculate the required submergence using the following formula based on the increased opening size (area or diameter).*



**Figure 2. Recommended Minimum Suction Line Submergence vs. Velocity**

## DISCHARGE LINES

### Siphoning

DO NOT terminate the discharge line at a level lower than that of the liquid being pumped unless a siphon breaker is used in the line. Otherwise, a siphoning action causing damage to the pump could result.

### Valves

If a throttling valve is desired in the discharge line, use a valve as large as the largest pipe to minimize friction losses. Never install a throttling valve in a suction line.

With high discharge heads, it is recommended that a throttling valve and a system check valve be installed in the discharge line to protect the pump from excessive shock pressure and reverse rotation when it is stopped.



**If the application involves a high discharge head, gradually close the discharge throttling valve before stopping the pump.**

## Bypass Lines

Self-priming pumps are not air compressors. During the priming cycle, air from the suction line must be vented to atmosphere on the discharge side. If the discharge line is open, this air will be vented through the discharge. However, if a check valve has been installed in the discharge line, the discharge side of the pump must be opened to atmospheric pressure through a bypass line installed between the pump discharge and the check valve. A self-priming centrifugal pump will not prime if there is sufficient static liquid head to hold the discharge check valve closed.

### NOTE

*The bypass line should be sized so that it does not affect pump discharge capacity; however, the bypass line should be at least 1 inch in diameter to minimize the chance of plugging.*

In low discharge head applications (less than 30 feet or 9 meters), it is recommended that the bypass line be run back to the wet well and located 6 inches below the water level or cut-off point of the low-level pump. In some installations, this bypass line may be terminated with a six-to-eight-foot length of 1 1/4-inch I.D. smooth-bore hose; air and liquid vented during the priming process will then agitate the hose and break up any solids, grease, or other substances likely to cause clogging.



**A bypass line that is returned to a wet well must be secured against being drawn into the pump suction inlet. It is also recommended that pipe unions be installed at each 90° elbow in a bypass line to ease disassembly and maintenance.**

In high discharge head applications (more than 30 feet), an excessive amount of liquid may be bypassed and forced back to the wet well under the full working pressure of the pump; this will reduce overall pumping efficiency. **Therefore, it is recommended that Automatic Air Release Valve (ARV) be installed in the bypass line.**

Automatic Air Release Valves (ARV's) are reliable and require minimum maintenance. See AUTOMATIC AIR RELEASE VALVE in this section for installation and theory of operation of the Automatic Air Release Valve.

If the installation involves a flooded suction such as a below-ground lift station. A pipe union and manual shut-off valve may be installed in the bleed line to allow service of the valve without shutting down the station, and to eliminate the possibility of flooding. If a manual shut-off valve is installed anywhere in the air release piping, it must be a full-opening ball type valve to prevent plugging by solids.



**If a manual shut-off valve is installed in a bypass line, it must not be left closed during operation. A closed manual shut-off valve may cause a pump which has lost prime to continue to operate without reaching prime, causing dangerous overheating and possible explosive rupture of the pump casing. Personnel could be severely injured.**

**Allow an over-heated pump to cool before servicing. Do not remove plates, covers, gauges, or fittings from an over- heated pump. Liquid within the pump can reach boiling temperatures, and vapor pressure within the pump can cause parts being disengaged to be ejected with great force. After the pump cools, drain the liquid from the pump by removing the casing drain plug. Use caution when removing the plug to prevent injury to personnel from hot liquid.**

## AUTOMATIC AIR RELEASE VALVE

### Theory of Operation

When properly installed, an Automatic Air Release Valve (ARV) will permit air to escape through the bypass line and then close automatically when the pump is fully primed and pumping at full capacity.



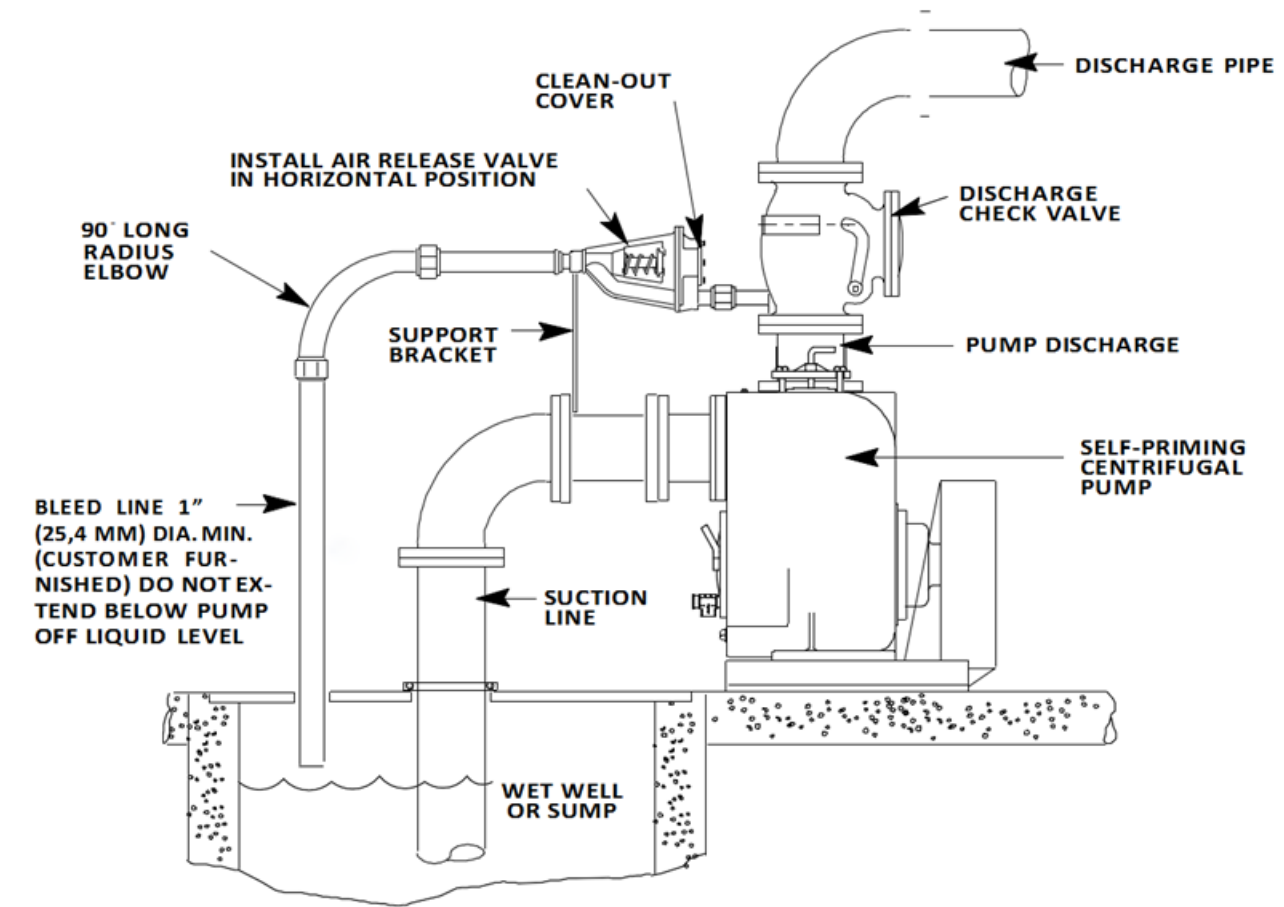
Some leakage (1 to 5 gallons [3.8 to 19 liters] per minute) will occur when the valve is fully closed. Be sure the bypass line is directed back to the wet well or tank to prevent hazardous spills

\* Consult the manual accompanying the Air Release Valve for additional information on valve installation and performance.

\* Consult the manual accompanying the Air Release Valve for additional information on valve installation and performance.

### Air Release Valve Installation

The Automatic Air Release Valve must be independently mounted in a horizontal position between the pump discharge port and the inlet side of the discharge check valve (see **Figure 3**).



**Figure 3. Typical Automatic Air Release Valve Installation**

Connect the valve outlet to a bleed line which slopes back to the wet well or sump. The bleed line must be the same size as the outlet opening or larger, depending on which Air Release Valve is being used. If piping is used for the bleed line, avoid the use of elbows whenever possible.

#### NOTE

*For multiple pump installations, it is recommended that each Air Release Valve be fitted with an*

independent bleeder line directed back to the wet well. If multiple Air Release Valves are installed in a system, **DO NOT** direct bleeder lines to a common manifold pipe.

## ALIGNMENT

The alignment of the pump and its power source is critical for trouble-free mechanical operation. In either a flexible coupling or V-belt driven system, the driver and pump must be mounted so that their shafts are aligned with and parallel to each other. It is imperative that alignment be checked after the pump and piping are installed, and before operation.

### NOTE

When mounted at the AMP factory, driver and pump are aligned before shipment. Misalignment will occur in transit and handling. Pumps must be checked and realigned before operation. Before checking alignment, tighten the foundation bolts. The pump casing feet and/or pedestal feet, and the driver mounting bolts should also be tightly secured.



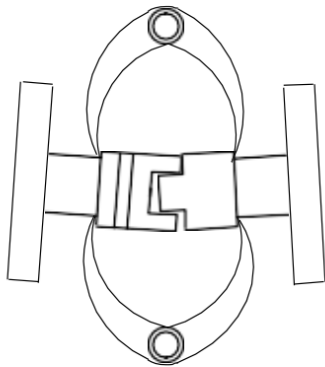
**When checking alignment, disconnect the power source to ensure that the pump will remain inoperative.**



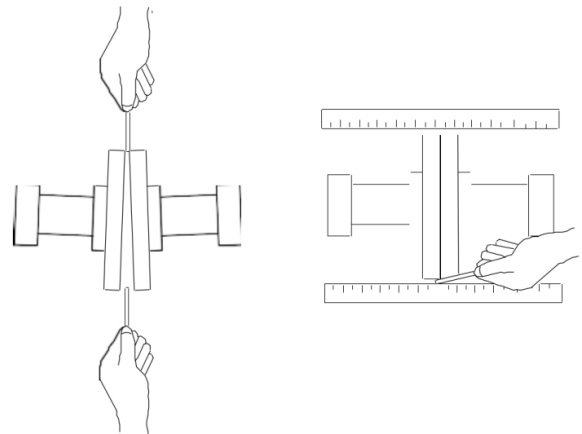
**Adjusting the alignment in one direction may alter the alignment in another direction. check each procedure after altering alignment.**

### Coupled Drives

When using couplings, the axis of the power source must be aligned to the axis of the pump shaft in both the horizontal and vertical planes. Most couplings require a specific gap or clearance between the driving and the driven shafts. Refer to the coupling manufacturer's service literature.



**Figure 4. Aligning Spider Type Couplings**



**Figure 5. Aligning Non-Spider Type Couplings**

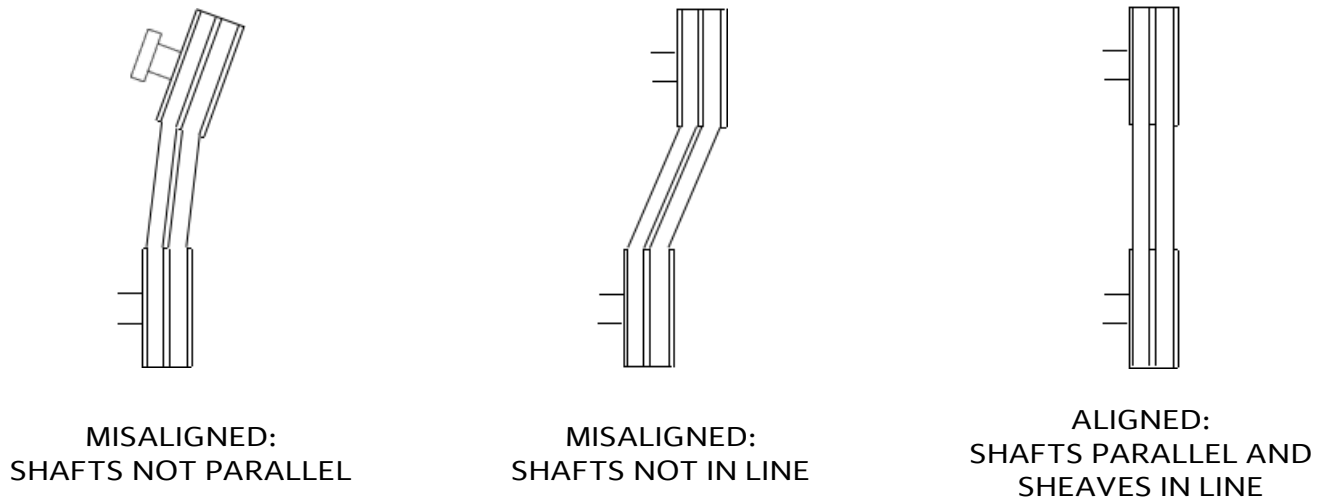
Align spider insert type couplings by using calipers to measure the dimensions on the circumference of the outer ends of the coupling hub every 90°. The coupling is in alignment when the hub ends are the same distance apart at all points (see **Figure 4**).

Align non-spider type couplings by using a feeler gauge or taper gauge between the coupling halves every 90°. The coupling is in alignment when the hubs are the same distance apart at all points (see **Figure 5**).

Check parallel adjustment by laying a straightedge across both coupling rims at the top, bottom, and side. When the straightedge rests evenly on both halves of the coupling, the coupling is in horizontal parallel alignment. If the coupling is misaligned, use a feeler gauge between the coupling and the straightedge to measure the amount of misalignment.

### Drive Belts

When using drive belts, the power source and the pump must be parallel. Use a straightedge along the sides of the pulleys to ensure that the pulleys are properly aligned (see **Figure 6**). In drive systems using two or more belts, make certain that the belts are a matched set; unmatched sets will cause accelerated belt wear.



**Figure 6. Alignment of V-Belt Driven Pumps**

Tighten the belts in accordance with the belt manufacturer's instructions. If the belts are too loose, they will slip; if the belts are too tight, there will be excessive power loss and possible bearing failure. Select pulleys that will match the proper speed ratio; over speeding the pump may damage both pump and power source.



**Do not operate the pump without the guard in place over the rotating parts. Exposed rotating parts can catch clothing, fingers, or tools, causing severe injury to personnel.**

### DRIVE BELT TENSIONING

#### General Rules of Tensioning

For new drive belts, check the tension after 5, 20 and 50 hours of operation and re-tension as required (see the following procedure for measuring belt tension). Thereafter, check and re-tension if required monthly or at 500-hour intervals, whichever comes first.

Ideal drive belt tension is the lowest tension at which the belt will not slip under peak load conditions. Do not over-tension drive belts. Over-tensioning will shorten both drive belt and bearing life. Under-

tensioning will cause belt slippage. Always keep belts free from dirt, grease, oil and other foreign material which may cause slippage.

## OPERATION SECTION C

Review all **SAFETY** information in Section A.

Follow the instructions on all tags, labels and decals attached to the pump.



**This pump is designed to handle liquids containing large, entrained solids and slurries. Do not attempt to pump volatile, corrosive, or flammable liquids which may damage the pump or endanger personnel as a result of pump failure.**



**Pump speed and operating conditions must be within performance range shown in SECTION E.**

## PRIMING

Install the pump and piping as described in **INSTALLATION**. Make sure that the piping connections are tight, and that the pump is securely mounted. Check that the pump is properly lubricated (see **LUBRICATION** in **MAINTENANCE AND REPAIR**).

This pump is self-priming, but the pump should never be operated unless there is liquid in the pump casing.



**Never operate this pump unless there is liquid in the pump casing. The pump will not prime when dry. Extended operation of a dry pump will destroy the seal assembly.**

Add liquid to the pump casing when:

1. The pump is being put into service for the first time.
2. The pump has not been used for a considerable length of time.
3. The liquid in the pump casing has evaporated.

Once the pump casing has been filled, the pump will prime and reprime as necessary.



**After filling the pump casing, reinstall and tighten the fill plug. Do not attempt to operate the pump unless all connecting piping is securely installed. Otherwise, liquid in the pump forced out under pressure could cause injury to personnel.**

To fill the pump, remove the pump casing fill cover or fill plug in the top of the casing, and add clean liquid until the casing is filled. Replace the fill cover or fill plug before operating the pump.

## STARTING

Consult the operations manual furnished with the power source.

## Rotation

The correct direction of pump rotation is counterclockwise when facing the impeller. The pump could be damaged, and performance adversely affected by incorrect rotation. If pump performance is not within the specified limits (see the curve on page **SECTION E**), check the direction of power



source rotation before further troubleshooting.

If an electric motor is used to drive the pump, remove V-belts, couplings, or otherwise disconnect the pump from the motor before checking motor rotation. Operate the motor independently while observing the direction of the motor shaft, or cooling fan.

If rotation is incorrect on a three-phase motor, have a qualified electrician interchange any two of the three phase wires to change direction. If rotation is incorrect on a single-phase motor, consult the literature supplied with the motor for specific instructions.

## OPERATION

### Lines With a Bypass

If an Automatic Air Release Valve has been installed, the valve will automatically open to allow the pump to prime, and automatically close after priming is complete (see **INSTALLATION** for Air Release Valve operation).

If the bypass line is open, air from the suction line will be discharged through the bypass line back to the wet well during the priming cycle. Liquid will then continue to circulate through the bypass line while the pump is in operation.

### Lines Without a Bypass

Open all valves in the discharge line and start the power source. Priming is indicated by a positive reading on the discharge pressure gauge or by a quieter operation. The pump may not prime immediately because the suction line must first fill with liquid. If the pump fails to prime within five minutes, stop it and check the suction line for leaks.

After the pump has been primed, partially close the discharge line throttling valve in order to fill the line slowly and guard against excessive shock pressure which could damage pipe ends, gaskets, sprinkler heads, and any other fixtures connected to the line. When the discharge line is completely filled, adjust the throttling valve to the required flow rate.



**Do not operate the pump against a closed discharge throttling valve for long periods of time. If operated against a closed discharge throttling valve, pump components will deteriorate, and the liquid could come to a boil, build pressure, and cause the pump casing to rupture or explode.**

### Leakage

No leakage should be visible at pump mating surfaces, or at pump connections or fittings. Keep all line connections and fittings tight to maintain maximum pump efficiency.

### Liquid Temperature And Overheating

The **maximum** liquid temperature for this pump is 160°F (71°C). Do not apply it at a higher operating temperature.

Overheating can occur if operated with the valves in the suction or discharge lines closed. Operating against closed valves could bring the liquid to a boil, build pressure, and cause the pump to rupture or explode. If overheating occurs, stop the pump and allow it to cool before servicing it. Refill the pump casing with cool liquid.



**Allow an over-heated pump to completely cool before servicing. Do not remove plates, covers, gauges, or fittings from an over-heated pump. Liquid within the pump can reach boiling temperatures, and vapor pressure within the pump can cause parts being**

**disengaged to be ejected with great force. After the pump completely cools, drain the liquid from the pump by removing the casing drain plug. Use caution when removing the plug to prevent injury to personnel from hot liquid.**

As a safeguard against rupture or explosion due to heat, this pump is equipped with a pressure relief valve which will open if vapor pressure within the pump casing reaches a critical point. If overheating does occur, stop the pump immediately and allow it to cool before servicing it. Approach any overheated pump cautiously. It is recommended that the pressure relief valve assembly be replaced at each overhaul, or any time the pump casing overheats and activates the valve. Never replace this valve with a substitute which has not been specified or provided by AMP.

### **Strainer Check**

If a suction strainer has been shipped with the pump or installed by the user, check the strainer regularly, and clean it as necessary. The strainer should also be checked if pump flow rate begins to drop. If a vacuum suction gauge has been installed, monitor, and record the readings regularly to detect strainer blockage.

**Never** introduce air or steam pressure into the pump casing or piping to remove a blockage. This could result in personal injury or damage to the equipment. If back flushing is absolutely necessary, liquid pressure must be limited to 50% of the maximum permissible operating pressure shown on the pump performance curve.

### **Pump Vacuum Check**

With the pump inoperative, install a vacuum gauge in the system, using pipe dope on the threads. Block the suction line and start the pump. At operating speed, the pump should pull a vacuum of 20 inches (508,0 mm) or more of mercury. If it does not, check for air leaks in the seal, gasket, or discharge valve.

Open the suction line and read the vacuum gauge with the pump primed and at operation speed. Shut off the pump. The vacuum gauge reading will immediately drop proportionate to static suction lift and should then stabilize. If the vacuum reading falls off rapidly after stabilization, an air leak exists. Before checking for the source of the leak, check the point of installation of the vacuum gauge.

### **STOPPING**

Never halt the flow of liquid suddenly. If the liquid being pumped is stopped abruptly, damaging shock waves can be transmitted to the pump and piping system. Close all connecting valves slowly.

On engine driven pumps, reduce the throttle speed slowly and allow the engine to idle briefly before stopping.



**If the application involves a high discharge head, gradually close the discharge throttling valve before stopping the pump.**

**After stopping the pump, lock out or disconnect the power source to ensure that the pump will remain inoperative.**



**Do not operate the pump against a closed discharge throttling valve for long periods of time. If operated against a closed discharge throttling valve, pump components will deteriorate, and the liquid could come to a boil, build pressure, and cause the pump casing to rupture or explode.**

### **Cold Weather Preservation**

In below freezing conditions, drain the pump to prevent damage from freezing. Also, clean out any solids by flushing with a hose. Operate the pump for approximately one minute; this will remove any remaining liquid that could freeze the pump rotating parts. If the pump will be idle for more than a few hours, or if it has been pumping liquids containing a large amount of solids, drain the pump, and flush it thoroughly with clean water. To prevent large solids from clogging the drain port and preventing the pump from completely draining, insert a rod or stiff wire in the drain port, and agitate the liquid during the draining process. Clean out any remaining solids by flushing with a hose.

## **BEARING TEMPERATURE CHECK**

Bearings normally run at higher than ambient temperatures because of heat generated by friction. Temperatures up to 160°F (71°C) are considered normal for bearings, and they can operate safely to at least 180°F (82°C).

Checking bearing temperatures by hand is inaccurate. Bearing temperatures can be measured accurately by placing a contact-type thermometer against the housing. Record this temperature for future reference.

A sudden increase in bearing temperature is a warning that the bearings are at the point of failing to operate properly. Make certain that the bearing lubricant is of the proper viscosity and at the correct level (see **LUBRICATION** in **MAINTENANCE AND REPAIR**). Bearing overheating can also be caused by shaft misalignment and/or excessive vibration.

When pumps are first started, the bearings may seem to run at temperatures above normal. Continued operation should bring the temperatures down to normal levels.

## **TROUBLESHOOTING SECTION D**

Review all SAFETY information in Section A.



**Before attempting to open or service the pump:**

- 1. Familiarize yourself with this manual.**
- 2. Follow approved local Lock-Out/Tag-Out procedures to ensure that the pump will remain inoperative.**
- 3. Allow the pump to completely cool if overheated.**
- 4. Check the temperature before opening any covers, plates, or plugs.**
- 5. Close the suction and discharge valves.**
- 6. Vent the pump slowly and cautiously.**
- 7. Drain the pump**

<b>TROUBLE</b>	<b>POSSIBLE CAUSE</b>	<b>PROBABLE REMEDY</b>
PUMP FAILS TO PRIME	Not enough liquid in casing.	Add liquid to casing. See PRIMING.
	Suction check valve contaminated or damaged.	Clean or replace check valve.
	Air leak in suction line.	Correct leak.
	Lining of suction hose collapsed.	Replace suction hose.
	Leaking or worn seal or pump gasket.	Check pump vacuum. Replace leaking or worn seal or gasket.
	Suction lift or discharge head too high.	Check piping installation and install bypass line if needed. See INSTALLATION.
	Strainer clogged.	Check strainer and clean if necessary.
PUMP STOPS OR FAILS TO DELIVER RATED FLOW OR PRESSURE	Air leak in suction line.	Correct leak.
	Lining of suction hose collapsed.	Replace suction hose.
	Leaking or worn seal or pump gasket.	Check pump vacuum. Replace leaking or worn seal or gasket.
	Strainer clogged.	Check strainer and clean if necessary.
	Suction intake not submerged at proper level or sump too small.	Check installation and correct submergence as needed.
	Impeller or other wearing parts worn or damaged.	Replace worn or damaged parts. Check that impeller is properly centered and rotates freely.
	Impeller clogged.	Free impeller of debris.
	Pump speed too slow.	Check driver output; check belts or couplings for slippage.
	Discharge head too high.	Install bypass line.
	Suction lift too high.	Measure lift w/vacuum gauge. Reduce lift and/or friction losses in suction line.
PUMP REQUIRES TOO MUCH POWER	Pump speed too high.	Check driver output; check that sheaves or couplings are correctly sized.
	Discharge head too low.	Adjust discharge valve.
	Liquid solution too thick.	Dilute if possible.
	Bearing(s) frozen.	Disassemble pump and check bearing(s).
PUMP CLOGS FREQUENTLY	Liquid solution too thick.	Dilute if possible.
	Discharge flow too slow.	Open discharge valve fully to increase flow rate and run power source at maximum governed speed.
	Suction check valve or foot valve clogged or binding.	Clean valve.

EXCESSIVE NOISE	Cavitation in pump.	Reduce suction lift and/or friction losses in suction line. Record vacuum and pressure gauge readings and consult local representative or factory.
	Pumping entrained air.	Locate and eliminate source of air bubble.
	Pump or drive not securely mounted.	Secure mounting hardware.
	Impeller clogged or damaged.	Clean out debris; replace damaged parts.
BEARINGS RUN TOO HOT	Bearing temperature is high, but within limits.	Check bearing temperature regularly to monitor any increase.
	Low or incorrect lubricant.	Check for proper type and level of lubricant.
	Suction and discharge lines not properly supported.	Check piping installation for proper support.
	Drive misaligned.	Align drive properly.

### PREVENTIVE MAINTENANCE

Since pump applications are seldom identical, and pump wear is directly affected by such things as the abrasive qualities, pressure and temperature of the liquid being pumped, this section is intended only to provide general recommendations and practices for preventive maintenance. Regardless of the application however, following a routine preventive maintenance schedule will help assure trouble-free performance and long life from your AMP pump. For specific questions concerning your application, contact your AMP distributor.

Record keeping is an essential component of a good preventive maintenance program. Changes in suction and discharge gauge readings (if so equipped) between regularly scheduled inspections can indicate problems that can be corrected before system damage or catastrophic failure occurs. The appearance of wearing parts should also be documented at each inspection for comparison as well. Also, if records indicate that a certain part (such as the seal) fails at approximately the same duty cycle, the part can be checked and replaced before failure occurs, reducing unscheduled down time.

For new applications, a first inspection of wearing parts at 250 hours will give insight into the wear rate for your particular application. Subsequent inspections should be performed at the intervals shown on the chart below. Critical applications should be inspected more frequently.

<b>Preventive Maintenance Schedule</b>					
<b>Item</b>	<b>Service Interval*</b>				
	<b>Daily</b>	<b>Weekly</b>	<b>Monthly</b>	<b>Semi- Annually</b>	<b>Annually</b>
General Condition (Temperature, Unusual Noises or Vibrations, Cracks, Leaks, Loose Hardware, Etc.)	I				
Pump Performance (Gauges, Speed, Flow)	I				
Bearing Lubrication		I			R
Seal Lubrication (And Packing Adjustment, If So Equipped)		I			R
V-Belts (If So Equipped)			I		
Air Release Valve Plunger Rod (If So Equipped)			I	C	
Front Impeller Clearance (Wear Plate)				I	
Rear Impeller Clearance (Seal Plate)				I	
Check Valve					I
Pressure Relief Valve (If So Equipped)					C
Pump and Driver Alignment					I
Shaft Deflection					I
Bearings					I
Bearing Housing					I
Piping					I
Driver Lubrication – See Mfgr's Literature					

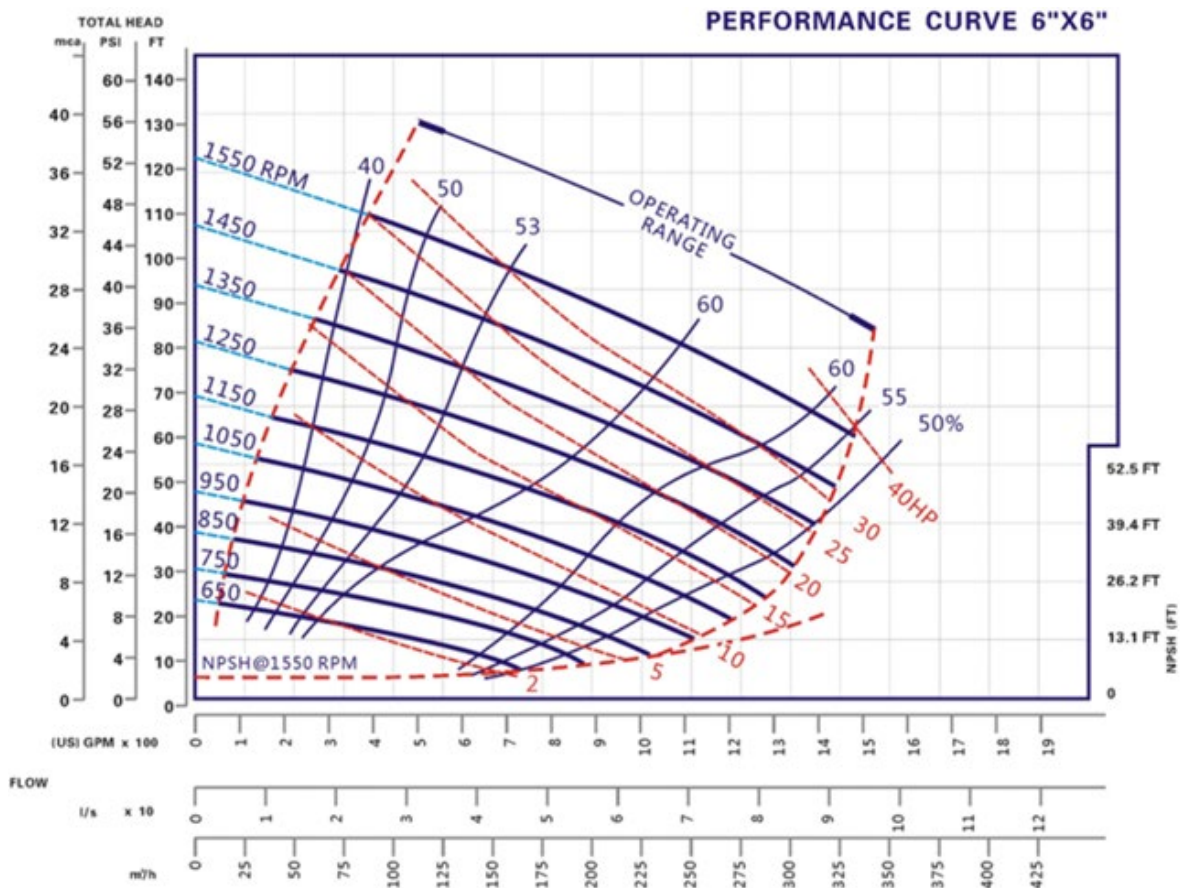
Legend:  
I = Inspect, Clean, Adjust, Repair or Replace as Necessary C = Clean  
C = Clean  
R = Replace

\* Service interval based on an intermittent duty cycle equal to approximately 4000 hours annually.  
Adjust schedule as required for lower or higher duty cycles or extreme operating conditions.

## PUMP MAINTENANCE AND REPAIR SECTION E

MAINTENANCE AND REPAIR OF THE WEARING PARTS OF THE PUMP WILL MAINTAIN PEAK OPERATING PERFORMANCE.

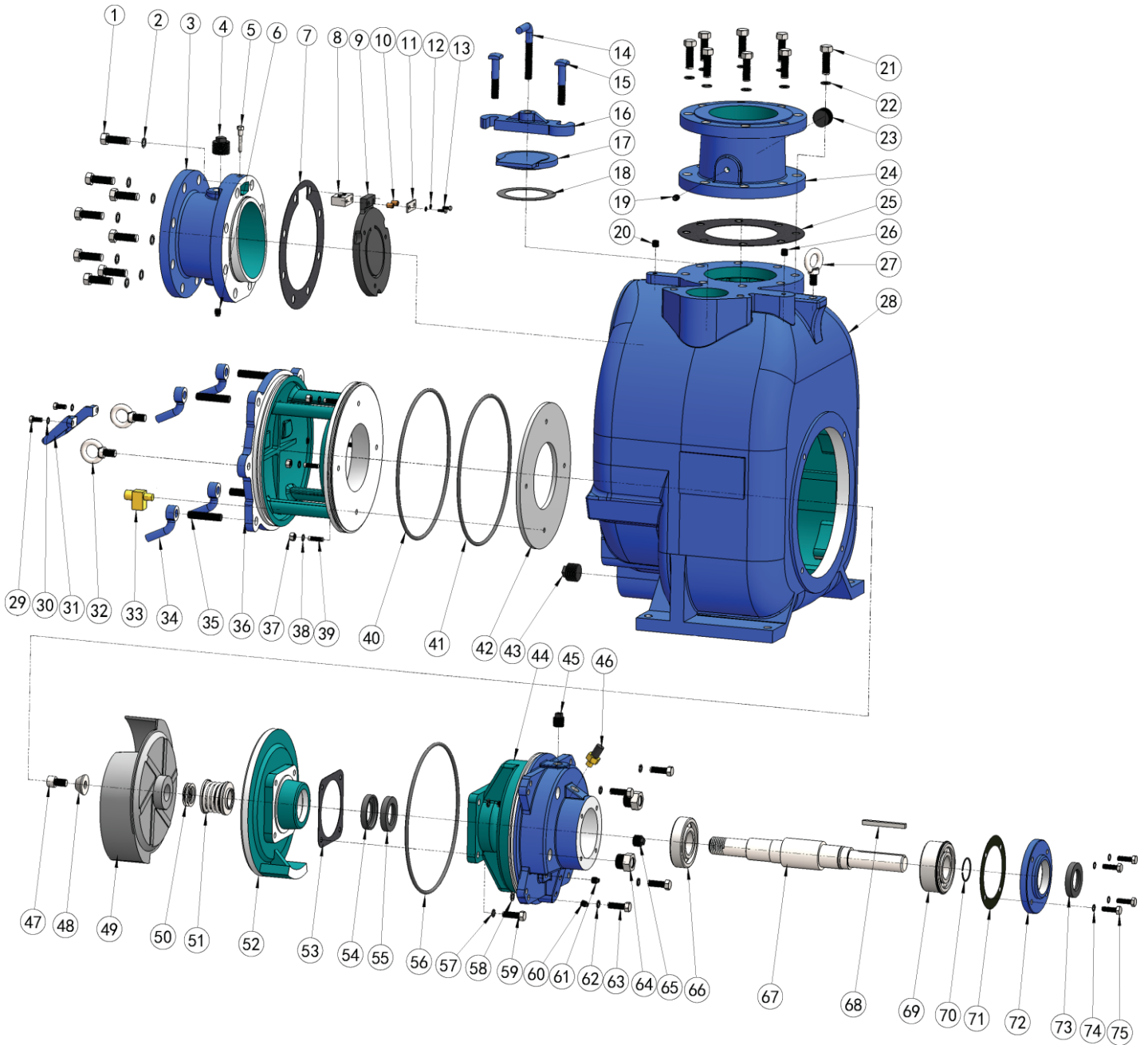
### PERFORMANCE CURVE



**\* STANDARD PERFORMANCE FOR PUMP MODEL SXT-6"X6"**

Based on 70°F (21° C) clear water at sea level with minimum suction lift. Since pump installations are seldom identical, your performance may be different due to such factors as viscosity, specific gravity, elevation, temperature, and impeller trim.

**ILLUSTRATION**



**Figure 1. Pump Model SXT-6"X6"**



## PARTS LIST

### Pump Model SXT-6"X6"

Contact AMP to verify part numbers.

NO	PART NAME	QTY	NO	PART NAME	QTY	NO	PART NAME	QTY
1	Cap screw	8	26	Pipe Plug	1	51	Mechanical Seal Assembly	1
2	Lock Washer	8	27	Lifting Bolt /Eye Bolt	1	52	Seal Plate	1
3	Suction Flange	1	28	Pump Casing	1	53	Seal Plate Gasket	1
4	Pipe Plug	1	29	Cap screw	2	54	Inboard Oil Seal	1
5	Check Valve Pin	1	30	Lock Washer	2	55	Inboard Oil Seal	1
6	Pipe Plug	1	31	CVR Plate Handle	1	56	O-Ring	1
7	Suction Flange Gasket	1	32	Lifting Bolt /Eye Bolt	2	57	Lock Washer	4
8	Pivot Cap	1	33	Press Relief Valve	1	58	Flat Washer	4
9	Check Valve	1	34	Hand Nut	4	59	Cap screw	4
10	Bronze Pipe	2	35	Stud	4	60	Pipe Plug	1
11	Washer, Pivot Cap	1	36	Back Cover Plate	1	61	Pipe Plug	1
12	Lock Washer	2	37	Hex Nut	4	62	Lock Washer	4
13	Cap screw	2	38	Lock Washer	4	63	Cap screw	4
14	Clamp Bar Screw	1	39	Stud	4	64	Sight Gauge	2
15	Machine Bolt	2	40	O-Ring	1	65	Pipe Plug	1
16	Clamp Bar	1	41	O-Ring	1	66	Inboard Ball Bearing	1
17	Fill Cover	1	42	Wear Plate Assy	1	67	Shaft	1
18	Fill Cover Gasket	1	43	Pipe Plug	1	68	Shaft Key	1
19	Pipe Plug	1	44	Bearing Housing	1	69	Outboard Ball Bearing	1
20	Pipe Plug	1	45	Vented Plug	1	70	BRG Snap Ring	1
21	Cap screw	8	46	Air Vent	1	71	Gasket, Bearing Cover	1
22	Lock Washer	8	47	Socket HD Cap screw	1	72	Bearing Cover, Inboard	1
23	Pipe Plug	1	48	Impeller Washer	1	73	Outboard Oil Seal	1
24	Discharge Flange	1	49	Impeller	1	74	Lock Washer	4
25	Discharge Flange Gskt	1	50	Adjusting Shim	2-7	75	Cap screw	4

## PUMP AND SEAL DISASSEMBLY AND REASSEMBLY

### Review all SAFETY information in Section A.

Follow the instructions on all tags, label and decals attached to the pump.

This pump requires little service due to its rugged, minimum-maintenance design. However, if it becomes necessary to inspect or replace the wearing parts, follow these instructions which are keyed to the illustration (see **Figure 1**) and the accompanying parts lists.

This manual will alert personnel to known procedures which require special attention, to those which could damage equipment, and to those which could be dangerous to personnel. However, this manual cannot possibly anticipate and provide detailed precautions for every situation that might occur during maintenance of the unit. Therefore, it is the responsibility of the owner/maintenance personnel to ensure that only safe, established maintenance procedures are used, and that any procedures not addressed in this manual are performed only after establishing that neither personal safety nor pump integrity are compromised by such practices.

Many service functions may be performed by draining the pump and removing the back cover assembly. If major repair is required, the piping and/or power source must be disconnected. The following instructions assume complete disassembly is required.

Before attempting to service the pump, disconnect or lock out the power source and take precautions to ensure that it will remain inoperative. Close all valves in the suction and discharge lines.

For power source disassembly and repair, consult the literature supplied with the power source, or contact your local power source representative.



### **Before attempting to open or service the pump:**

- 1. Familiarize yourself with this manual.**
- 2. Follow approved local Lock-Out/Tag-Out procedures to ensure that the pump will remain inoperative.**
- 3. Allow the pump to completely cool if overheated.**
- 4. Check the temperature before opening any covers, plates, or plugs.**
- 5. Close the suction and discharge valves.**
- 6. Vent the pump slowly and cautiously.**
- 7. Drain the pump.**



**Death or serious personal injury and damage to the pump or components can occur if proper lifting procedures are not observed. Make certain that hoists, chains, slings or cables are in good working condition and of sufficient capacity and that they are positioned so that loads will be balanced, and the pump or components will not be damaged when lifting. Suction and discharge hoses and piping must be removed from the pump before lifting. Lift the pump or component only as high as necessary and keep personnel away from suspended objects.**

### **Back Cover and Wear Plate Removal**

(Figure 1)

The wear plate (42) is easily accessible and may be serviced by removing the back cover (36). Before

attempting to service the pump, remove the pump casing drain plug (43) and drain the pump. Clean and reinstall the drain plug.

Remove the hand nuts (34) and studs (35) and pry the back cover and assembled wear plate from the pump casing (28).

#### **NOTE**

*An alternate method of removing the back cover from the pump casing is to remove the back cover hand nuts (35) and screw in the two parallelly opposing eye bolts (32) in the tapped holes in the back cover and use them to press the back cover out of the pump casing.*

Inspect the wear plate and replace it if badly scored or worn. To remove the wear plate, disengage the hardware (37, 38 and 39).

Inspect the back cover and wear plate O-rings (40 and 41) and replace them if damaged or worn.

#### **Suction Check Valve Removal**

(Figure 1)

If the check valve assembly (8~13) is to be serviced, remove the check valve pin (5), reach through the back cover opening and pull the complete assembly from the suction flange (3).

#### **NOTE**

*Further disassembly of the check valve is not required since it must be replaced as a complete unit. Individual parts are not sold separately.*

#### **Rotating Assembly Removal**

(Figure 1)

The rotating assembly may be serviced without disconnecting the suction or discharge piping; however, the power source must be removed to provide clearance.

The impeller (49) should be loosened while the rotating assembly is still secured to the pump casing. Before loosening the impeller, remove the seal cavity drain plug (60) and drain the seal lubricant. This will prevent the oil in the seal cavity from escaping when the impeller is loosened. Clean and reinstall the seal cavity drain plug.

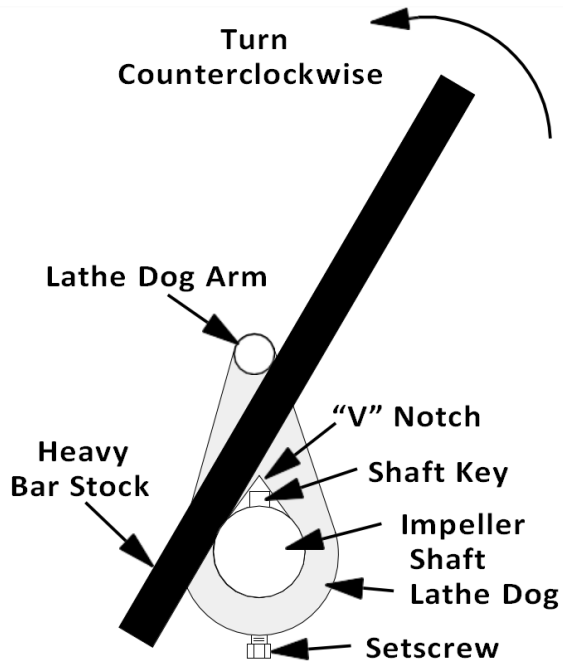
Immobilize the impeller by wedging a block of wood between the vanes and the pump casing and remove the impeller cap screw and washer (47 and 48).

Install the shaft key (68). Install a lathe dog on the drive end of the shaft (67) with the “V” notch positioned over the shaft key.

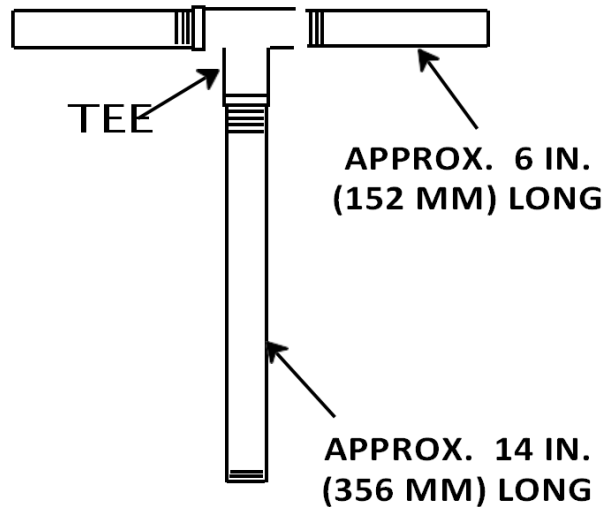
With the impeller rotation still blocked, see **Figure 2** and use a long piece of heavy bar stock to pry against the arm of the lathe dog in a counterclockwise direction (when facing the drive end of the shaft). Use caution not to damage the shaft or keyway. When the impeller breaks loose, remove the lathe dog, key and wood block.

#### **NOTE**

*DO NOT remove the impeller until the rotating assembly has been removed from the pump casing.*



**Figure 2. Loosening Impeller**



**Figure 3. Rotating Assembly Tool**

(Figure 1)

Remove the hardware (62 and 63) securing the rotating assembly to the pump casing. Separate the rotating assembly by pulling straight away from the pump casing. Tie and tag the rotating assembly adjusting flat washers (58) for ease of reassembly.

**NOTE**

*An optional disassembly tool is available from the factory. If the tool is used, follow the instructions packed with it. A similar tool may be assembled using 1/2-inch pipe (schedule 80 steel or malleable iron) and a standard tee (see **Figure 3**). All threads are 1/2-inch NPT. Do not pre-assemble the tool.*

To install the tool, remove the vented plug (45, **Figure 1**) from the bearing housing, and screw the longest length of pipe into the vent hole until fully engaged. Install the tee and screw the handles into the tee. Use caution when lifting the rotating assembly to avoid injury to personnel or damage to the assembly.

Remove the bearing housing O-rings (56).

**Impeller Removal**

(Figure 1)

With the rotating assembly removed from the pump casing, unscrew the impeller from the shaft. Use caution when unscrewing the impeller; tension on the shaft seal spring will be released as the impeller is removed. Inspect the impeller and replace if cracked or badly worn.

Remove the impeller adjusting shims (50); tie and tag the shims, or measure and record their thickness for ease of reassembly.

**Seal Removal**

(Figure 1)

Slide the integral shaft sleeve and rotating portion of the seal off the shaft as a unit.

Use a pair of stiff wires with hooked ends to remove the stationary element and seat.

An alternate method of removing the stationary seal components is to remove the hardware (57 and 59) and separate the seal plate (52) and gasket (53) from the bearing housing (44). Position the seal plate on a flat surface with the impeller side down. Use a wooden dowel or other suitable tool to press on the back side of the stationary seat until the seat, O-rings, and stationary element can be removed.

Remove the shaft sleeve O-ring.

If no further disassembly is required, refer to Seal Installation.

## Shaft and Bearing Removal and Disassembly

(Figure 1)

When the pump is properly operated and maintained, the bearing housing should not require disassembly. Disassemble the shaft and bearings only when there is evidence of wear or damage.



**Shaft and bearing disassembly in the field is not recommended. These operations should be performed only in a properly equipped shop by qualified personnel.**

Remove the bearing cavity drain plug (61) and drain the lubricant. Clean and reinstall the drain plug.

Disengage the hardware (74 and 75) and slide the bearing cover (72) and oil seal (73) off the shaft. Remove the bearing cover gasket (71) and press the oil seal from the bearing cap.

Place a block of wood against the impeller end of the shaft (67) and tap the shaft and assembled bearings (66 and 69) from the bearing housing.

Pry or press the oil seals (54 and 55) from the bearing housing.

After removing the shaft and bearings, clean and inspect the bearings in place as follows.



**To prevent damage during removal from the shaft, it is recommended that bearings be cleaned and inspected in place. It is strongly recommended that the bearings be replaced any time the shaft and bearings are removed.**

Clean the bearing housing, shaft, and all component parts (except the bearings) with a soft cloth soaked in cleaning solvent. Inspect the parts for wear or damage and replace as necessary.



**Most cleaning solvents are toxic and flammable. Use them only in a well-ventilated area free from excessive heat, sparks, and flame. Read and follow all precautions printed on solvent containers.**

A new bearing should be installed any time the old bearing is removed from the pump.



**Bearings must be kept free of all dirt and foreign material. Failure to do so will greatly shorten bearing life. Do not spin dry bearings. This may scratch the balls or races and cause premature bearing failure.**

Rotate the bearings by hand to check for roughness or binding and inspect the bearing balls. If rotation is rough or the bearing balls are discolored, replace the bearings.

The bearing tolerances provide a tight press fit onto the shaft and a snug slip fit into the bearing housing. Replace the bearings, shaft, or bearing housing if the proper bearing fit is not achieved.

If bearing replacement is required, remove the outboard bearing snap ring (70), and use a bearing puller to remove the bearings from the shaft.

### Shaft and Bearing Reassembly and Installation

(Figure 1)

Clean the bearing housing, shaft, and all component parts (except the bearings) with a soft cloth soaked in cleaning solvent. Inspect the parts for wear or damage as necessary.



**Most cleaning solvents are toxic and flammable. Use them only in a well-ventilated area free from excessive heat, sparks, and flame. Read and follow all precautions printed on solvent containers.**

Inspect the shaft for distortion, nicks, or scratches, or for thread damage on the impeller end. Dress small nicks and burrs with a fine file or emery cloth. Replace the shaft if defective.

Position the inboard oil seal (55) in the bearing housing bore with the lip positioned as shown in **Figure 1**. Press the oil seal into the housing until the face is just flush with the counter-bored surface toward the inside of the housing.

Position the inboard oil seal (54) in the bearing housing bore with the lip positioned as shown in **Figure 1**. Press the oil seal into the housing until the face is just flush with the counter-bored surface toward the outside of the housing.



**To prevent damage during removal from the shaft, it is recommended that bearings be cleaned and inspected in place. It is strongly recommended that the bearings be replaced any time the shaft and bearings are removed.**

#### NOTE

*Position the inboard bearing (66) on the shaft with the shielded side toward the impeller end of the shaft. Position the outboard bearing (69) on the shaft with the integral retaining ring on the bearing O.D. toward the drive end of the shaft.*

The bearings may be heated to ease installation. An induction heater, hot oil bath, electric oven, or hot plate may be used to heat the bearings. Bearings should never be heated with a direct flame or directly on a hot plate.

#### NOTE

*If a hot oil bath is used to heat the bearings, both the oil and the container must be absolutely clean. If the oil has been previously used, it must be thoroughly filtered.*

Heat the bearings to a uniform temperature no higher than 250°F (120°C) and slide the bearings onto the shaft, one at a time, until they are fully seated. This should be done quickly, in one continuous motion, to prevent the bearings from cooling and sticking on the shaft.

After the bearings have been installed and allowed to cool, check to ensure that they have not moved away from the shaft shoulders in shrinking. If movement has occurred, use a suitably sized sleeve and a press to reposition the bearings against the shaft shoulders.

If heating the bearings is not practical, use a suitably sized sleeve and an arbor (or hydraulic) press to install the bearings on the shaft.



**When installing the bearings onto the shaft, never press or hit against the outer race, balls, or ball cage. Press only on the inner race.**

Secure the outboard bearing on the shaft with the bearing snap ring (70).

Slide the shaft and assembled bearings into the bearing housing until the retaining ring on the outboard bearing seats against the bearing housing.



**When installing the shaft and bearings into the bearing bore, push against the outer race. Never hit the balls or ball cage.**

Press the outboard oil seal (73) into the bearing cover (72) with the lip positioned as shown in **Figure 1**. Replace the bearing cover gasket (71) and secure the bearing cap with the hardware (74 and 75). Be careful not to damage the oil seal lip on the shaft keyway.

Lubricate the bearing housing as indicated in **LUBRICATION**.

### Seal Installation

(Figures 1, 4, 5 and 6)



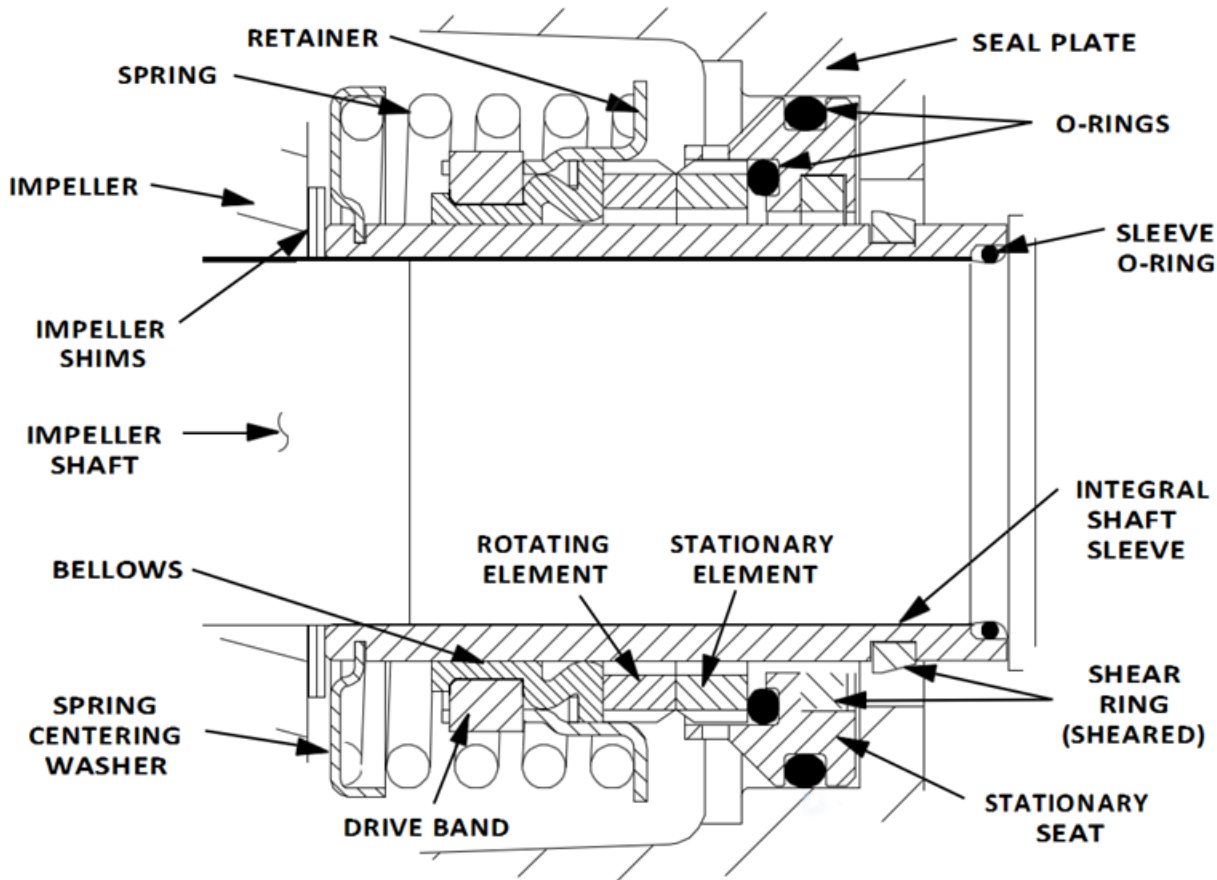
**Most cleaning solvents are toxic and flammable. Use them only in a well-ventilated area free from excessive heat, sparks, and flame. Read and follow all precautions printed on solvent containers**

Clean the seal cavity and shaft with a cloth soaked in fresh cleaning solvent. Inspect the stationary seat bore in the seal plate for dirt, nicks, and burrs, and remove any that exist. The stationary seat bore must be completely clean before installing the seal.



**A new seal assembly should be installed any time the old seal is removed from the pump. Wear patterns on the finished faces cannot be realigned during reassembly. Reusing an old seal could result in premature failure.**

To ease installation of the seal, lubricate the shaft sleeve O-ring and the external stationary seat O-ring with a very small amount of light lubricating oil. See **Figure 4** for seal part identification.



**Figure 4. Cartridge Seal Assembly**



**This seal is not designed for operation at temperatures above 160°F (71°C). Do not use at higher operating temperatures**

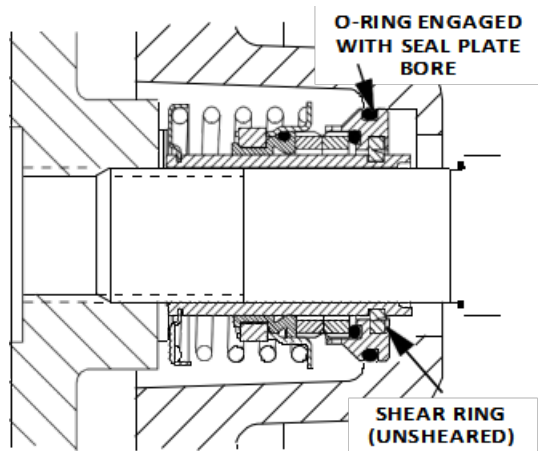
If the seal plate (52) was removed, install the seal plate gasket (53). Position the seal plate over the shaft and secure it to the bearing housing with the hardware (57 and 59).

To prevent damaging the shaft sleeve O-ring (31) on the shaft threads, stretch the O-ring over a piece of plastic tubing that the I.D. is a little larger than the O.D. of the shaft. Slide the tube over the shaft threads, then slide the O-ring off the tube and onto the shaft. Remove the tube and continue to slide the O-ring down the shaft until it seats against the shaft shoulder.

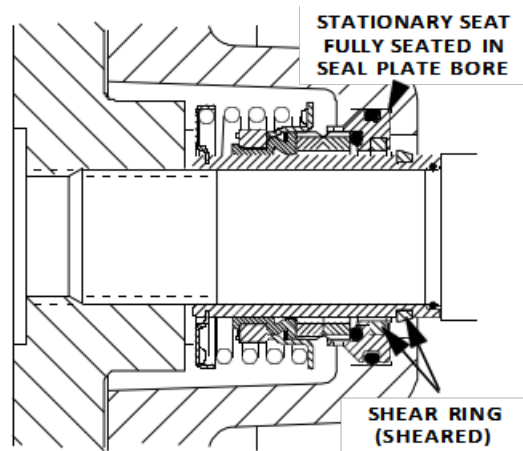
**When installing a new cartridge seal assembly**, remove the seal from the container, and lubricate the external stationary seat O-ring with light oil. Slide the seal assembly onto the shaft until the external stationary seat O-ring engages the bore in the seal plate.

Clean and inspect the impeller as described in Impeller Installation and Adjustment. Install the full set of impeller shims (50) provided with the seal and screw the impeller onto the shaft until it is seated against the seal (see **Figure 5**).





**Figure 5. Seal Partially Installed**



**Figure 6. Seal Fully Installed**

Continue to screw the impeller onto the shaft. This will press the stationary seat into the seal plate bore.

**NOTE**

*A firm resistance will be felt as the impeller presses the stationary seat into the seal plate bore.*

As the stationary seat becomes fully seated, the seal spring compresses, and the shaft sleeve will break the nylon shear ring. This allows the sleeve to slide down the shaft until seated against the shaft shoulder. Continue to screw the impeller onto the shaft until the impeller, shims, and sleeve are fully seated against the shaft shoulder (see **Figure 6**).

Measure the impeller-to-seal plate clearance and remove impeller adjusting shims to obtain the proper clearance as described in **Impeller Installation and Adjustment**.

If necessary to reuse an old seal in an emergency, carefully separate the rotating and stationary seal faces from the bellows retainer and stationary seat.

**i A new seal assembly should be installed any time the old seal is removed from the pump. Wear patterns on the finished faces cannot be realigned during reassembly. Reusing an old seal could result in premature failure.**

Handle the seal parts with extreme care to prevent damage. Be careful not to contaminate precision finished faces; even fingerprints on the faces can shorten seal life. If necessary, clean the faces with a non-oil-based solvent and a clean, lint-free tissue. Wipe lightly in a concentric pattern to avoid scratching the faces.

Carefully wash all metallic parts in fresh cleaning solvent and allow to dry thoroughly.

**i Do not attempt to separate the rotating portion of the seal from the shaft sleeve when reusing an old seal. The rubber bellows will adhere to the sleeve during use and attempting to separate them could damage the bellows.**

Inspect the seal components for wear, scoring, grooves, and other damage that might cause leakage. Inspect the integral shaft sleeve for nicks or cuts on either end. If any components are worn, or the sleeve is damaged, replace the complete seal; **never mix old and new seal parts**.

Install the stationary seal element in the stationary seat. Press this stationary sub-assembly into the

seal plate bore until it seats squarely against the bore shoulder. A push tube made from a piece of plastic pipe would aid this installation. The I.D. of the pipe should be slightly larger than the O.D. of the shaft sleeve.

Slide the rotating portion of the seal (consisting of the integral shaft sleeve, spring centering washer, spring, bellows and retainer, and rotating element) onto the shaft until the seal faces contact.

Proceed with **Impeller Installation and Adjustment**.

### **Impeller Installation and Adjustment**

(Figure 1)

Inspect the impeller and replace it if cracked or badly worn. Inspect the impeller and shaft threads for dirt or damage, and clean or dress the threads as required.



**The shaft and impeller threads must be completely clean before reinstalling the impeller. Even the slightest amount of dirt on the threads can cause the impeller to seize to the shaft, making future removal difficult or impossible without damage to the impeller or shaft.**

Install the same thickness of impeller adjusting shims as previously removed. Apply `Never-Seez' grease or equivalent to the shaft threads and screw the impeller onto the shaft until tight. Be sure the seal spring seats squarely over the shoulder on the back side of the impeller.

#### **NOTE**

*At the slightest sign of binding, immediately back the impeller off, and check the threads for dirt. **Do not** try to force the impeller onto the shaft.*

A clearance of .025 to .040 inch (0.64 to 1.02 mm) between the impeller and the seal plate is recommended for maximum pump efficiency. Measure this clearance and add or remove impeller adjusting shims as required.

#### **NOTE**

*If the rotating assembly has been installed in the pump casing, this clearance may be measured by reaching through the priming port with a feeler gauge.*

Proceed with **Rotating Assembly Installation** before installing the impeller cap screw and washer (47 and 48). The rotating assembly must be installed in the pump casing in order to torque the impeller cap screw.

After the rotating assembly is installed in the pump casing, coat the threads of the impeller cap screw (47) with `Never-Seez' or equivalent compound, and install the impeller washer (48) and cap screw; torque the cap screw to 90 ft. lbs. (1080 in. lbs. or 12,4 m. kg.).

### **Rotating Assembly Installation**

(Figure 1)

Install the bearing housing O-ring (56) and lubricate it with light grease. Ease the rotating assembly into the pump casing using the installation tool. Be careful not to damage the O-ring.

Install the same thickness of rotating assembly adjusting flat washers (58) as previously removed and secure the rotating assembly to the pump casing with the hardware (62 and 63).

To set the impeller and wear plate clearance, refer to **Back Cover and Wear Plate Installation and Adjustment**.

### **Suction Check Valve Installation**

(Figure 1)

Inspect the check valve assembly (8~13), replace it if badly worn.

#### **NOTE**

*The check valve assembly must be replaced as a complete unit. Individual parts are not sold separately.*

Reach through the back cover opening with the check valve and position the check valve adaptor in the mounting slot in the suction flange (3). Align the adaptor with the flange hole and secure the assembly with the check valve pin (5).

#### **NOTE**

*If the suction or discharge flanges were removed, replace the respective gaskets, and secure them to the pump casing with the attaching hardware.*

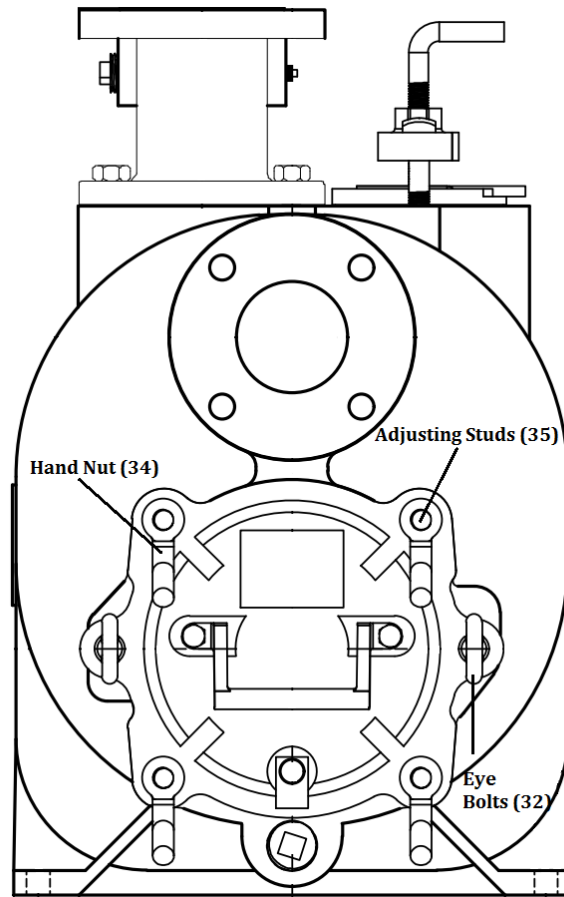
### **Back Cover and Wear Plate Installation and Adjustment**

(Figures 1)

If the wear plate (42) was removed for replacement, carefully center it on the suction back cover and secure it with the hardware (37, 38 and 39). The wear plate must be concentric to prevent binding when the back cover is installed.

Clearance between the impeller and wear plate is adjusted using the four hand nuts (34), the four studs (35) and the two eye bolts (32). The recommended procedure of clearance settlement is with the use of a dial indicator or feeler gauge. The recommended clearance between the wear plate and the impeller is .010 to .020 inch (0,25 to 0,50 mm).

Replace the back cover O-rings (40 and 41) and lubricate them with a generous amount of No. 2 grease. Clean any scale or debris from the contacting surfaces in the pump casing that might interfere or prevent a good seal with the back cover.



**Figure 7. Installing and Adjusting Back Cover**

Screw the four adjusting studs (35) into the tapped holes in the back cover plate until they are just flush with the machined surface on the back side of the cover plate.

Align the back cover plate over the two eye bolts (32) and slide it into the pump casing. Use two hand nuts (34) on diagonally opposing studs to press the back cover into the pump casing until the wear plate just touches the impeller when the shaft is turned by hand. Tighten the hand nuts evenly to avoid binding.

With the wear plate just touching the impeller, measure the clearance between the back side of the cover plate and the pump casing at different positions with a feel gauge. Record the clearance.

Loosen the four hand nuts (34). Screw in the two parallelly opposing eye bolts (32) and use them to press the back cover away from the impeller. While the eye bolts are being screwed in, measure the clearance between the wear plate and the impeller, by adding feel gauge into the gap between the back cover plate and casing.

The recommended clearance between the wear plate and the impeller is .010 to .020 inch (0,25 to 0,51 mm). Once the clearance is settled, screw the hand nuts to the fixed position.

Be sure the wear plate does not scrape against the impeller.

Over time it may be necessary to repeat the adjustment process to compensate for normal wear between the impeller and wear plate. When all of the adjustment has been used on the back cover side of the pump, an additional 0.125 inch (3,2 mm) of adjustment may be obtained by removing the rotating assembly adjusting flat washers (58).

Allow an installed pump to completely cool before draining liquid from the pump casing. Remove the back cover. Remove the rotating assembly adjusting shims, then reinstall the hardware securing the rotating assembly to the pump casing. Perform the back cover adjustment procedure described above to obtain the proper face clearance.

## **PRESSURE RELIEF VALVE MAINTENANCE**

(Figure 1)

The back cover is equipped with a pressure relief valve (33) to provide additional safety for the pump and operator (refer to **Liquid Temperature and Overheating** in **OPERATION**).

It is recommended that the pressure relief valve assembly be replaced at each overhaul, or any time the pump overheats and activates the valve. Never replace this valve with a substitute which has not been specified or provided by AMP.

Periodically, the valve should be removed for inspection and cleaning. When reinstalling the relief valve, apply `Loctite Pipe Sealant With Teflon No. 592', or equivalent compound, on the relief valve threads. Position the valve as shown in Figure 1 with the discharge port pointing down.

## **Final Pump Assembly**

(Figure 1)

If the discharge flange (24) or suction flange (3) were removed, replace the gaskets (25 and 7) and secure the flanges to the pump casing (28) with the attaching hardware (1 and 2, 21 and 22).

Install the shaft key (68, Figure 1) and reconnect the power source. Be sure to install any guards used over the rotating members.



**Do not operate the pump without the guards in place over the rotating parts. Exposed rotating parts can catch clothing, fingers, or tools, causing severe injury to personnel.**

Install the suction and discharge lines and open all valves. Make certain that all piping connections are tight, properly supported and secure.

Be sure the pump and power source have been properly lubricated, see LUBRICATION.

Remove the fill cover assembly (17) and fill the pump casing with clean liquid. Reinstall the fill cover and tighten it. Refer to OPERATION, Section C, before putting the pump back into service.

## **LUBRICATION**

### **Seal Assembly**

(Figure 1)

Before starting the pump, remove the vented plug (45) and fill the seal cavity with approximately 64 ounces (1.9 liters) of SAE No. 30 non-detergent oil to the middle of the sight gauge (64, the upper one) and maintain it at the middle of the gauge. Clean and reinstall the vented plug. Maintain the oil at this level.

### **NOTE**

*The white reflector in the sight gauge must be positioned horizontally to provide proper drainage.*

### **Bearings**

(Figure 1)

The bearing housing has not been lubricated from the factory. Lubrication must be added to the seal and bearing sump prior to running. Check the oil level regularly through the sight gauge (64, the lower one) and maintain it at the middle of the gauge. When lubrication is required, add SAE No. 30 non-detergent oil through the hole for the air vent (46). Do not over-lubricate. Over-lubrication can cause the bearings to over-heat, resulting in premature bearing failure.

#### **NOTE**

*The white reflector in the sight gauge must be positioned horizontally to provide proper drainage.*

Under normal conditions, drain the bearing housing once each year and refill with approximately 21 ounces (0.6 liter) clean oil. Change the oil more frequently if the pump is operated continuously or installed in an environment with rapid temperature change.



**Monitor the condition of the bearing lubricant regularly for evidence of rust or moisture condensation. This is especially important in areas where variable hot and cold temperatures are common.**

For cold weather operation, consult the factory or a lubricant supplier for the recommended grade of oil.

#### **Power Source**

Consult the literature supplied with the power source or contact your local power source representative.

## **WARRANTY**

American-Marsh Pumps guarantees that only high-quality materials are used in the construction of our pumps and that machining and assembly are carried out to high standards.

The pumps are guaranteed against defective materials and/or faulty craftsmanship for a period of one (1) year from the date of shipment unless specifically stated otherwise. To maintain all warranties, replacement of parts or of the pump itself can only be carried out after careful examination of the pump by American-Marsh Factory Personnel or an American-Marsh Authorized Service Center.

**The warranty is not valid if third parties have tampered with the pump.**

This warranty does not cover parts subject to deterioration, wear and tear (mechanical seals pressure and vacuum gauges, rubber or plastic items, bearings, etc.) or damage caused by misuse or improper handling of the pump by the end user.

Parts replaced under warranty become the property of American-Marsh Pumps.

Contact Us:

**American-Marsh Pumps**

550 E. South St.  
Collierville, TN 38017

**Phone: (901) 860-2300**  
**[www.wilowarranty.com](http://www.wilowarranty.com)**