

Overview

Weil's 4200 Series condensate return system is designed to collect steam condensate and pump it to a boiler feed receiver. The 4200 is better suited for high head and high flow, large capacity condensate return applications.

Centrifugal Condensate Systems - Arranged by Discharge Pressure then EDR

Discharge Pressure (PSI)	Capacity Sq. Ft. (EDR)	Pump Capacity (GPM)	Discharge Size (NPT)	Receiver Capacity (Gallons)	Motor HP (3500 RPM)	Model Number	
						Simplex	Duplex
20	2000	3	1	15	1/2	4205K101	--
	4000	6	1	15	1/2	4205K102	--
	6000	9	1	15	1/2	4205K103	--
	8000	12	1	15	3/4	4205K104	--
	10000	15	1	15	3/4	4205K109	--
	15000	22.5	1	30	3/4	4205K121	4206K121
	20000	30	1	30	1	4205K122	4206K122
	25000	37.5	1 1/4	45	1	4205K129	4206K129
	30000	45	1 1/4	45	1	4205K130	4206K130
	40000	60	1 1/4	60	2	4205K137	4206K137
50000	75	1 1/4	95	2	4205K141	4206K141	
30	2000	3	1	15	3/4	4205K105	--
	4000	6	1	15	3/4	4205K106	--
	6000	9	1	15	3/4	4205K107	--
	8000	12	1	15	1	4205K108	--
	10000	15	1	15	1	4205K110	--
	15000	22.5	1	30	1 1/2	4205K123	4206K123
	20000	30	1	30	1 1/2	4205K124	4206K124
	25000	37.5	1 1/4	45	2	4205K131	4206K131
	30000	45	1 1/4	45	2	4205K132	4206K132
	40000	60	1 1/4	60	3	4205K138	4206K138
50000	75	1 1/4	95	3	4205K142	4206K142	
40	2000	3	1	15	1 1/2	4205K111	--
	4000	6	1	15	1 1/2	4205K112	--
	6000	9	1	15	1 1/2	4205K113	--
	8000	12	1 1/4	15	2	4205K114	--
	10000	15	1 1/4	15	2	4205K115	--
	15000	22.5	1 1/4	30	2	4205K125	4206K125
	20000	30	1 1/4	30	2	4205K126	4206K126
	25000	37.5	1 1/4	45	2	4205K133	4206K133
	30000	45	1 1/4	45	3	4205K134	4206K134
	40000	60	1 1/4	60	3	4205K139	4206K139
50000	75	1 1/4	95	3	4205K143	4206K143	
50	2000	3	1 1/4	15	2	4205K116	--
	4000	6	1 1/4	15	2	4205K117	--
	6000	9	1 1/4	15	2	4205K118	--
	8000	12	1 1/4	15	2	4205K119	--
	10000	15	1 1/4	15	2	4205K120	--
	15000	22.5	1 1/4	30	3	4205K127	4206K127
	20000	30	1 1/4	30	3	4205K128	4206K128
	25000	37.5	1 1/4	45	3	4205K135	4206K135
30000	45	1 1/4	45	3	4205K136	4206K136	

TEFC Motors: 3500 RPM, 3 Phase, 60 Hz, 208-230/460 Volt

4205 Simplex Models Include:

- One closed coupled pump with TEFC Motor
- Cast Iron Pump Case
- Bronze or Stainless steel Impeller
- Steel Receiver
- Float Switch – NEMA 1

4206 Duplex Models Include:

- Two closed coupled pumps with TEFC Motors
- Cast Iron Pump Cases
- Bronze or Stainless steel Impellers
- Steel Receiver
- Mechanical Alternator – NEMA 1

Available Options:

- Water Gauge Glass
- Angle Thermometer
- Suction Shut Off Valve (Between pump and Receiver)
- HWA Contact
- Single Phase Motors



Replaces SN-4205
February 1, 2009

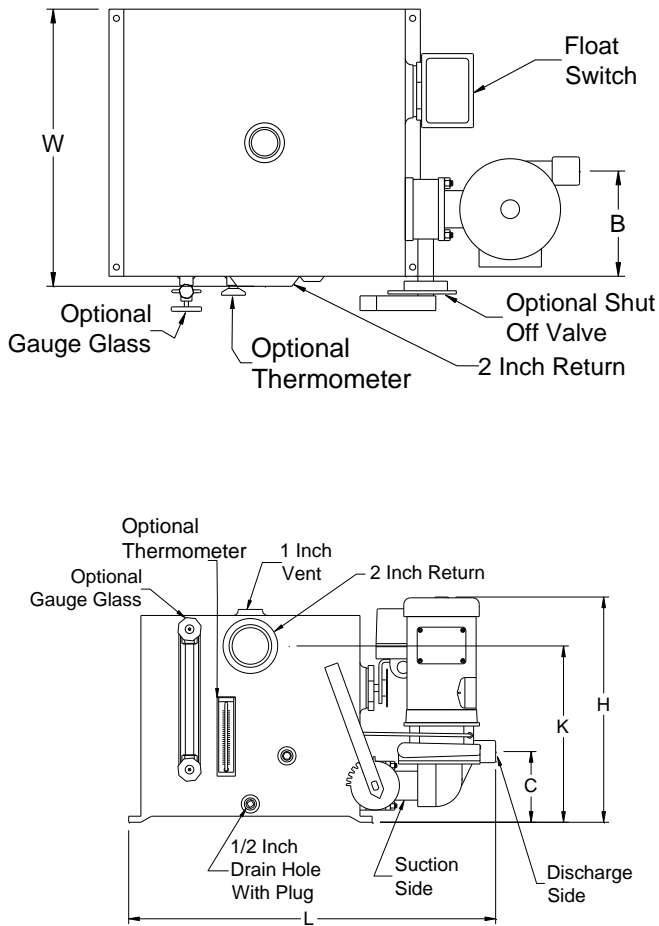
SN-4200

MARCH 15, 2016

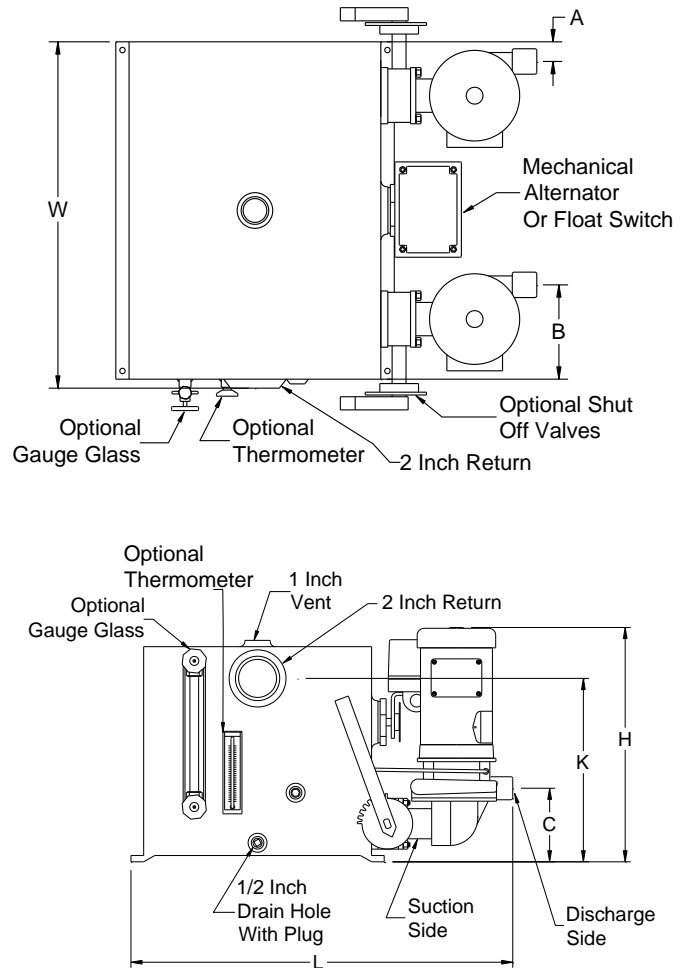
4200 Condensate

Index

Simplex Receiver



Duplex Receiver



Receiver Dimensions (inches)

Gallons	A	B	C	H	K	L	W	Return Size	Receiver (W x L x H)
15	--	8.06	6.66	15.88	13	28.12	16.75	2 Inch	16 x 17 x 15
30	0.43	7.06	6.66	19.12	16	29.12	25.50	3 Inch	24 x 18 x 18
45	0.43	7.06	7.66	22.12	19	33.62	25.50	3 Inch	24 x 22.5 x 21
60	1.43	8.06	7.66	22.12	19	40.88	27.50	3 Inch	26 x 28 x 21
95	1.43	8.06	7.66	29.12	25	40.88	29.50	4 Inch	28 x 28 x 28



4206 Duplex Condensate Return System

For Replacement Pump
information
see 4200 Price Sheet