

Arranged by Discharge Size then Solid Size

Model	Discharge		Solids Size	Impeller		Mount Style	Floor Plate OD	Pump Opening Size	Shaft		Max HP 1750 RPM
	Size	Type		Nom	Type				Dia.	Max L	
1221	1 1/4	NPT	1/2	5 1/2	Semi-Open	B or C	14 or 20	12 or 18	3/4	80	1/2
1104	1 1/2	NPT	3/4	5 5/8	Semi-Open	B or C	14 or 20	12 or 18	3/4	80	3/4
1200	2	NPT	3/4	7	Semi-Open	B or C	14 or 20	12 or 18	3/4	81	1 1/2
1226	2	NPT	2	6	Semi-Open	B or C	14 or 20	12 or 18	3/4	83	1 1/2

B = Free Standing - Pump Legs sit on the wet well floor

C = Cover mount - Pump floor plate rests on the wet well cover

NPT National Pipe Taper. Discharge is female NPT for threaded pipe.

L Distance up from the bottom of the pump to the underside of pump floor plate.

All models have bronze sleeve bearings and a ball thrust bearing.

The motor is connected to the pump shaft with a flexible coupling. Motors for all models are totally enclosed, fan cooled (TEFC), with ball bearings.

The end result is a rugged, quiet, long-lived and easy to maintain pumping unit.

Pump opening size is the hole size in the wet well cover required for pump installation and removal.

A floor plate is used to mount the pump to the wet well cover.

Use any of these models as clean water removal pumps. Install in collection pits, wet wells, reainwater sumps, etc. A suction strainer is included on 1104, 1200, 1221, models.

Models weith a 2 inch or larger solids-handling size can be used for unscreened wastewater, industrial waste, and surface drainage.

Install a single pump (simplex) or two (duplex) depending on the job application. Select a level control device from on the following types:

Level Controls

For cover mount or free-standing

Mechanical Lever

Motor Mounted - Simplex Options K7301

Cover Mounted - Simplex Models 8201, 8202

Cover Mounted - Duplex Models 8211, 8212, 8213

Pressure Diaphragm

Model 8220 series

Tethered

Model 8230 series

Wet Well Capacities (Gallons)

Diameter or Length & Width	Gallons per foot of depth	
	Round Tank	Square Tank
18"	13	17
24"	24	30
30"	37	47
36"	53	67
48"	94	120
60"	147	187
72"	212	269

Minimum Flow

(To prevent solids form settling out)

Discharge Pipe Size Diameter (inches)	Minimum Flow (GPM)
1 1/4	10
1 1/2	15
2	25
3	50

Pump Dependable heavy-duty pumps for pumping wastewater and other unscreened liquids containing solids.

Designed for:

- Residential
- Factories
- Professional Office Buildings
- Schools & Hospitals
- Banks
- Restaurants
- Truck Loading Docks

Motor Vertical, solid shaft with NEMA-C mounting flange. The motor is connected to the pump with a flexible coupling. Stainless steel coupling guards safely protect from rotating parts.

Totally enclosed 60 Hz motors are standard 1750 RPM - 1/2 to 1 1/2 horsepower

Single-phase motors are capacitor start induction run.

Single-phase voltages are 60 Hz, 115 or 208-230 volt

Three-phase voltages are 60 Hz, 208-230 or 460 volt

Ⓛ Explosion-proof motors suitable for Class 1, Groups C and D hazardous atmospheres are available.

Single and Three-phase 50 Hz models are available

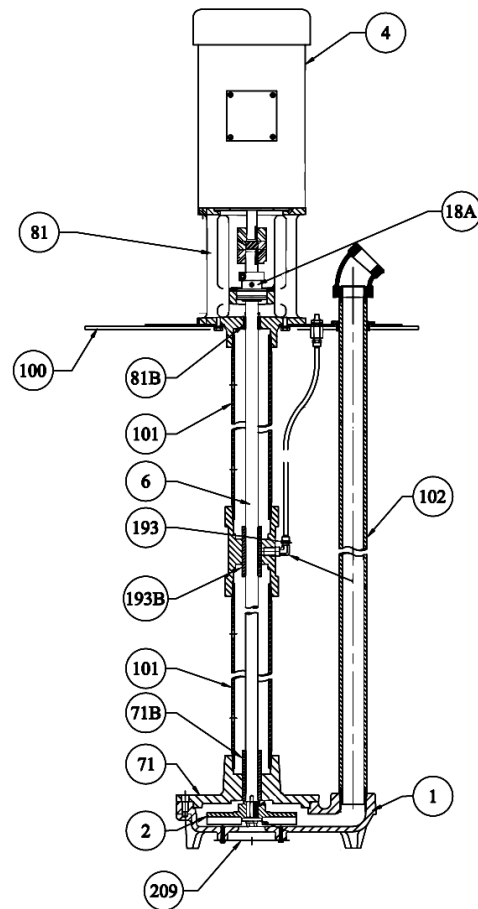
Standard Construction Features

Upper Bearing Housing	Cast iron with bronze sleeve bearing, facilitates connection of pump to motor.
Thrust Bearing	Permanently grease lubricated, ball type, over-sized for increased life and capacity. Sealed to protect from dirt and moisture.
Lower Bearing Housing	Cast iron with bronze sleeve bearing. Fluid Lubricated
Intermediate Bearing Housing (if required)	Cast iron with bronze sleeve bearing, grease lubricated.
Leg(s)	Galvanized steel - schedule 40
Shaft	416 Stainless steel, polished and ground. Sized to provide maximum safety and strength when pumping raw unscreened wastewater.
Impeller	Dynamically balanced. Trimmed to suit job conditions. • Cast iron is standard on all models
Case	Heavy-duty, close grain, high-density cast iron. All models have feet for floor mounting
Strainer	304 Stainless steel. Provided on 1104, 1200, and 1121

Discharge Pipe Galvanized steel - schedule 40

Options

Sleeve Bearings	Graphite - For chemical and high temperature applications
Impeller	Bronze or Stainless steel
Floor Plate	14 or 20 inch split floor plate
Adjustable Floor Plate Clamp	Allows for pump to be raised for non-standard basin depths
Motor Mounted Mechanical Lever Switch	- Available in NEMA 1, 4, or 7 - Switch Bracket mounts to pump motor, rod travels thru a hole in the floor plate - Rod & Float are both stainless steel



1 Case	81 Bearing Pedestal
2 Impeller	81B Sleeve Bearing
4 Motor	100 Floor Plate (Optional)
6 Shaft	101 Pump Leg
18A Ball Bearing Thrust Assembly	102 Discharge Pipe
71 Lower Bearing Housing	193 Intermediate Bearing Housing
71B Sleeve Bearing	193B Sleeve Bearing
	209 Strainer