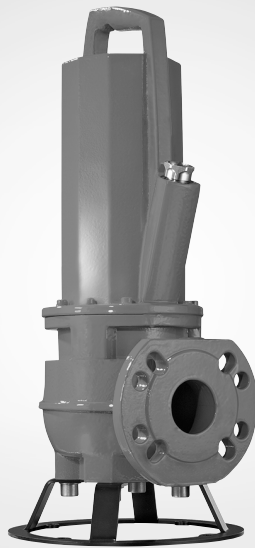


Wilo-Rexa PRO



- US** Installation and operating instructions
- fr** Notice de montage et de mise en service
- es** Instrucciones de instalación y funcionamiento

Fig. 1

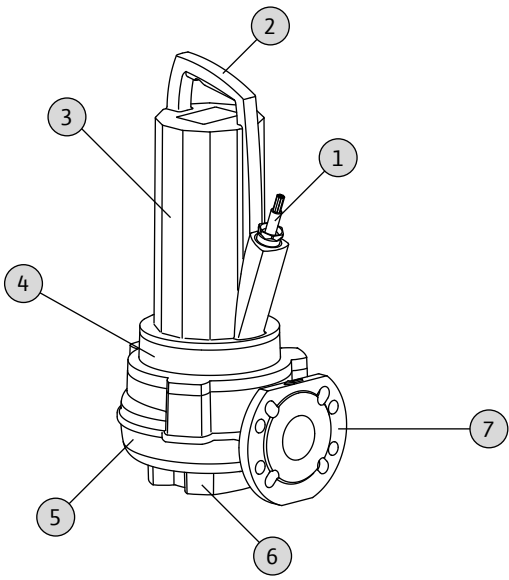


Fig. 3

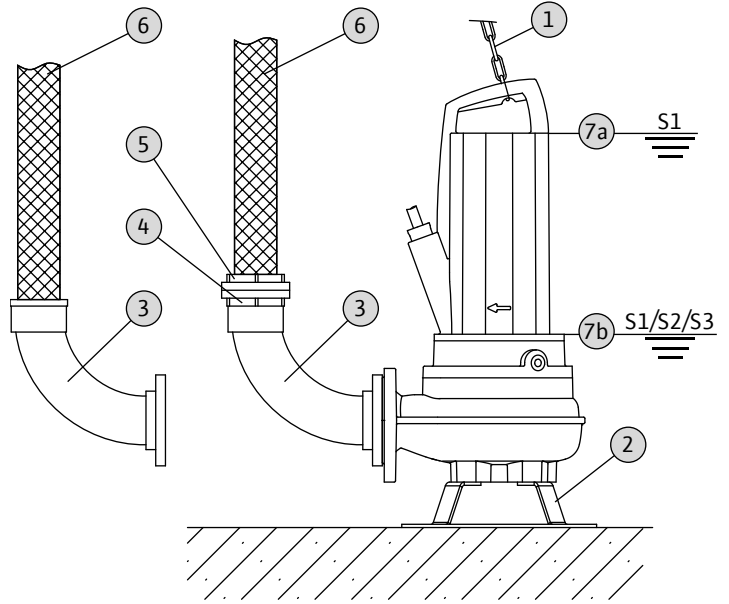


Fig. 2

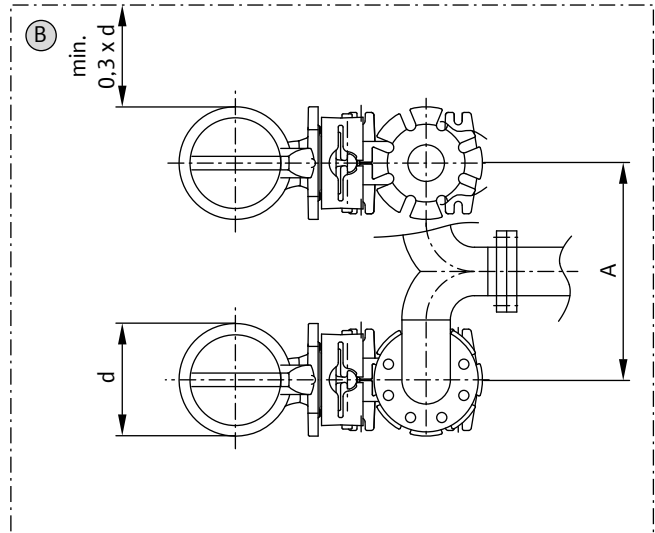
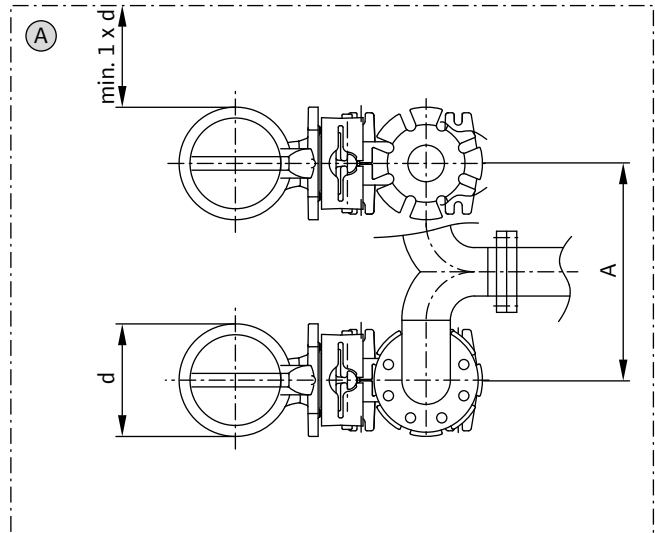
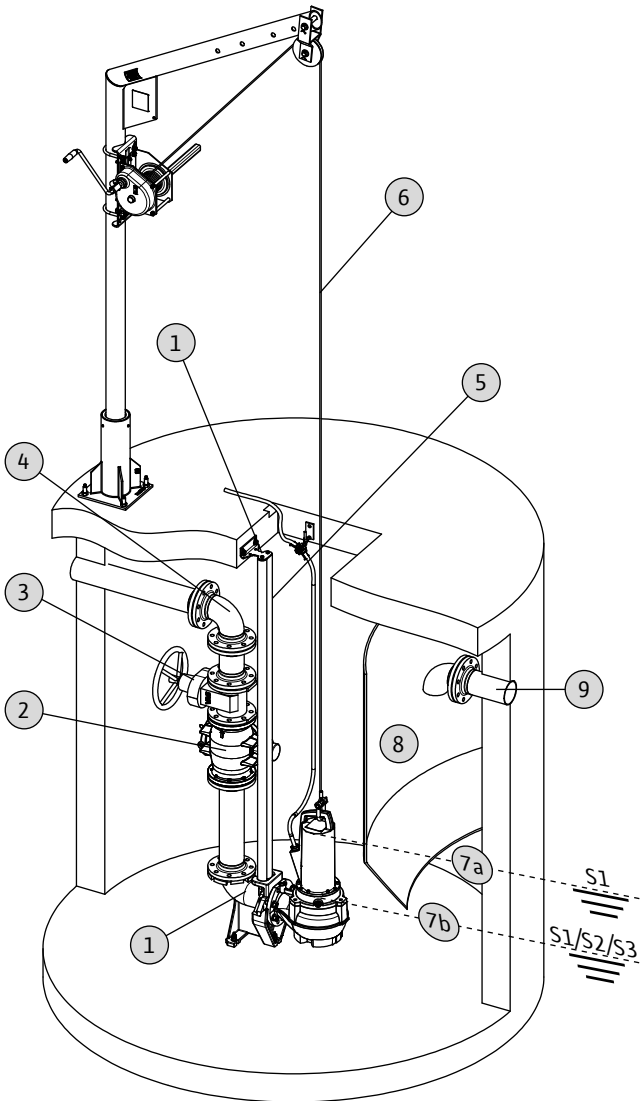


Fig. 4

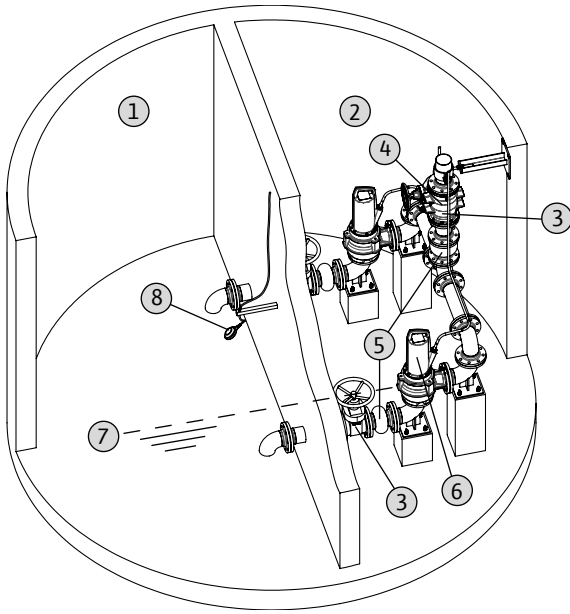


Fig. 5

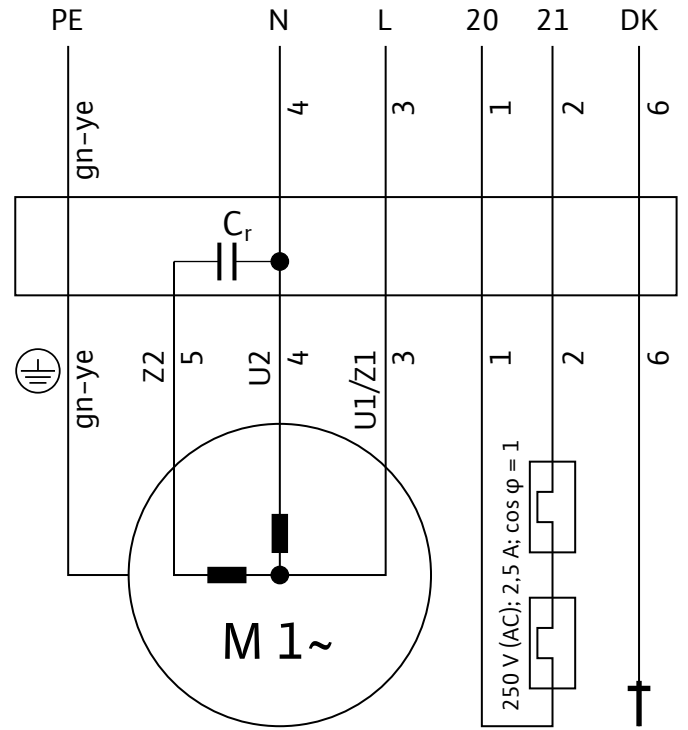


Fig. 6

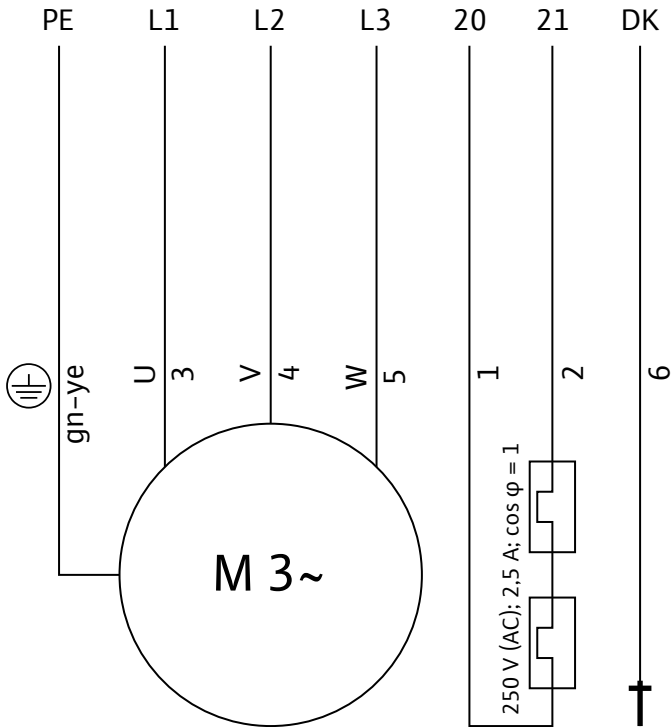


Fig. 7

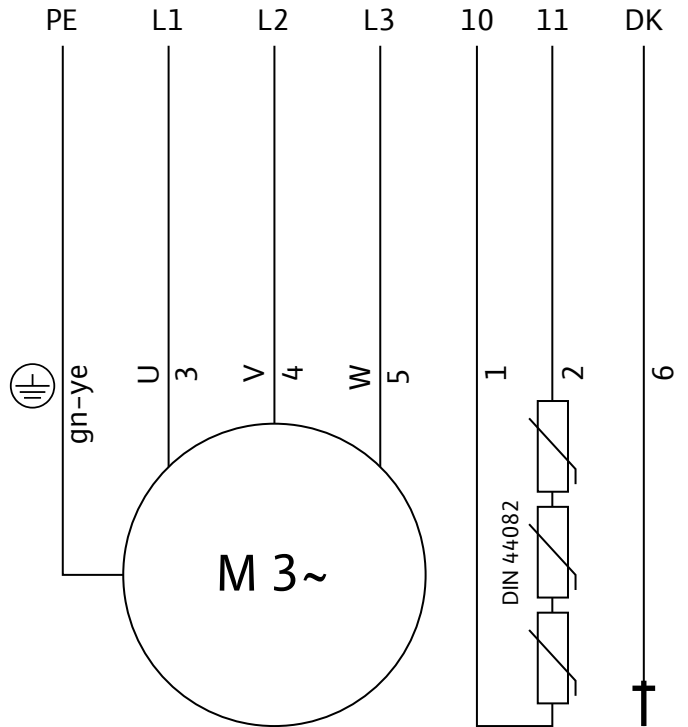
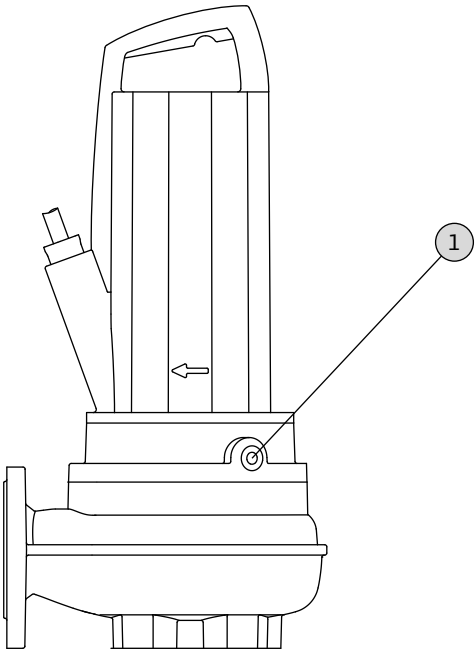


Fig. 8



US	Installation and operating instructions	7
fr	Notice de montage et de mise en service	33
es	Instrucciones de instalación y funcionamiento	61
de	Einbau- und Betriebsanleitung	89



1.	Introduction	8	7.3.	Removal	24
1.1.	About this document	8	7.4.	Return delivery/storage	24
1.2.	Personnel qualifications	8	7.5.	Disposal	24
1.3.	Copyright	8			
1.4.	Subject to changes	8			
1.5.	Warranty	8	8.	Maintenance and repair	24
2.	Safety	9	8.1.	Operating materials	25
2.1.	Instructions and safety information	9	8.2.	Maintenance intervals	25
2.2.	General safety	9	8.3.	Maintenance work	26
2.3.	Electrical work	10			
2.4.	Safety and monitoring devices	10	9.	Troubleshooting	27
2.5.	Conduct during operation	10			
2.6.	Fluids	10	10.	Appendix	28
2.7.	Sound pressure	11	10.1.	Operation with variable frequency drives	28
2.8.	Note on conformity	11	10.2.	Ex approval	29
			10.3.	Spare parts	31
3.	Product description	11			
3.1.	Intended use and fields of application	11			
3.2.	Setup	11			
3.3.	Operation in an explosive atmosphere	12			
3.4.	Operating modes	12			
3.5.	Technical data	13			
3.6.	Type key	13			
3.7.	Scope of delivery	14			
3.8.	Accessories	14			
4.	Transport and storage	14			
4.1.	Delivery	14			
4.2.	Transport	14			
4.3.	Storage	14			
4.4.	Return delivery	15			
5.	Installation	15			
5.1.	General	15			
5.2.	Installation methods	15			
5.3.	Installation	15			
5.4.	Dry-running protection	18			
5.5.	Electrical connection	19			
5.6.	Motor protection and activation types	21			
6.	Commissioning	21			
6.1.	Electrical system	22			
6.2.	Rotation control	22			
6.3.	Level control	22			
6.4.	Operation in potentially explosive areas	22			
6.5.	Commissioning	22			
6.6.	Conduct during operation	23			
7.	Decommissioning/disposal	23			
7.1.	Temporary decommissioning	23			
7.2.	Decommissioning for maintenance work or storage	23			

1. Introduction

1.1. About this document

The language of the original operating instructions is German. All other languages of these instructions are translations of the original operating instructions.

The instructions are divided into individual sections, which are listed in the table of contents. Each section has a heading that clearly describes its content. A copy of the EC declaration of conformity is a component of these operating instructions.

If a technical modification is made on the designs named there without our agreement, this declaration loses its validity.

1.2. Personnel qualifications

All personnel who work on or with the pump must be qualified for such work; electrical work, for example, may only be carried out by a qualified electrician. All personnel must be of legal age.

Operating and maintenance personnel must also observe national accident prevention regulations. It must be ensured that personnel have read and understood the instructions in this operating and maintenance manual; if necessary, this manual must be ordered from the manufacturer in the required language.

This pump is not intended for use by persons (including children) with limited physical, sensory, or mental capacities or without the relevant experience or knowledge, unless they are supervised by a person responsible for their safety and receive instructions from that person on how to use the pump.

Children must be supervised in order to ensure that they do not play with the pump.

1.3. Copyright

This operating and maintenance manual has been copyrighted by the manufacturer. The operating and maintenance manual is intended for use by installation, operating, and maintenance personnel. It contains regulations and drawings which may not be reproduced or distributed, either completely or in part, or used for any competitive purpose without the expressed consent of the manufacturer. Illustrations may differ from the original and serve only as example illustrations of the pumps.

1.4. Subject to changes

The manufacturer reserves the right to make technical modifications to units or components. This operating and maintenance manual refers to the pump shown on the title page.

1.5. Warranty

In general, the specifications in the current "general terms and conditions" apply for the warranty. You can find these here: www.wilo.com/legal/

Any deviations must be contractually agreed and shall then be given priority.

1.5.1. General

The manufacturer is obliged to correct any defects found in the pumps it sells, provided that the defects meet one or more of the following requirements:

- The defects are caused by the materials used or the way the product was manufactured or designed.
- The defects were reported in writing to the manufacturer within the agreed warranty period.
- The pump was used only as prescribed.
- All monitoring devices are connected and were tested before commissioning.

1.5.2. Warranty period

The duration of the warranty period is stipulated in the "general terms and conditions."

Any deviations must be contractually agreed.

1.5.3. Spare parts, attachments, and modifications

Only genuine spare parts from the manufacturer may be used for repairs, replacements, attachments, and modifications. Unauthorized add-ons and modifications or the use of non-original spare parts can seriously damage the pump and/or injure personnel.

1.5.4. Maintenance

The prescribed maintenance and inspection work should be carried out regularly. This work may only be carried out by qualified, trained, and authorized personnel.

1.5.5. Damage to the product

Damage and malfunctions that endanger safety must be eliminated immediately by trained personnel. The pump may only be operated if it is in perfect working order.

In general, repairs should only be carried out by Wilo customer service.

1.5.6. Disclaimer

No warranty claims will be accepted and no liability will be assumed for pump damage if any of the following items apply:

- Inadequate dimensioning by the manufacturer due to insufficient and/or incorrect information provided by the end user or customer
- Non-compliance with safety instructions and working instructions as specified in this operating and maintenance manual
- Improper use
- Incorrect storage and transport
- Improper assembly/dismantling
- Insufficient or incorrect maintenance
- Incorrect repairs
- Inadequate construction site or construction work
- Chemical, electrochemical, and electrical influences
- Wear

This means the manufacturer's liability excludes all liability for personal injury, material damage, or financial losses.

2. Safety

This section lists all the generally applicable safety information and technical instructions. In addition, all the other sections contain specific safety information and technical instructions. All instructions and information must be observed and followed during the various phases of the pump's life cycle (installation, operation, maintenance, transport, etc.). The end user is responsible for ensuring that all personnel follow these instructions and guidelines.

2.1. Instructions and safety information

This manual uses instructions and safety information regarding possible injury and damage to property. To identify them clearly for personnel, the instructions and safety information are distinguished as follows:

- Instructions appear in bold and refer directly to the preceding text or section.
- Safety information is slightly indented and bold and always starts with a signal word.
 - **Danger**
Serious or fatal injuries can occur!
 - **Warning**
Serious injuries can occur!
 - **Caution**
Injuries can occur!
 - **Caution** (instruction without symbol)
Substantial property damage can occur. Irreparable damage is possible!
- Safety information that refers to personal injury appears in black and is always accompanied by a safety symbol. Danger, prohibition, or instruction symbols are used as safety symbols.

Example:



Danger symbol: General hazard



Danger symbol, for example, electrical current



Prohibition symbol, for example, Keep out!



Instruction symbol, for example, wear protective clothing

The safety symbols used conform to generally applicable directives and regulations, such as DIN and ANSI.

- Safety information that refers only to material damage is printed in gray, without safety symbols.

2.2. General safety

- When installing or removing the pump, never work alone in rooms or sumps. A second person must always be present.
- The pump must always be switched off before any work is performed on it (assembly, dismantling, maintenance, installation). The pump must be disconnected from the electrical system and secured against being switched on again. All rotating parts must have come to a stop.
- The operator should inform his/her superior immediately should any defects or irregularities occur.
- The operator must shut down the equipment immediately if defects occur that represent a safety risk. These include:
 - Failure of the safety and/or monitoring devices
 - Damage to important parts
 - Damage to electrical equipment, cables, and insulation.
- Tools and other objects should be kept in their designated places to ensure they can be used safely.
- Sufficient ventilation must be provided when working in enclosed rooms.
- When welding or working with electronic devices, make sure there is no risk of explosion.
- Use only lifting gear which is legally defined as such and officially approved.
- The lifting gear must be adapted to the conditions of use (weather, guide system, load, etc.) and be stored carefully.
- Mobile equipment for lifting loads should be used in such a way that it is guaranteed to remain stable during operation.
- When using mobile equipment for lifting non-guided loads, take action to prevent tipping, shifting, sliding, etc.
- Take measures to prevent anyone standing under suspended loads. Furthermore, it is prohibited to move suspended loads over working areas occupied by people.
- If using mobile operating equipment for lifting loads, get a second person to coordinate the procedure if necessary (e.g. blocked visibility).
- The load to be lifted must be transported in such a way that no one will be injured if there is a power failure. Furthermore, if such work is being carried out outdoors, it must be cancelled if the weather conditions worsen.

These instructions must be strictly observed. Non-observance can result in injury or substantial material damage.

2.3. Electrical work



DANGER: electrical hazard!
Incorrectly performed electrical work can result in fatal injury! This work may only be carried out by a qualified electrician.

CAUTION: beware of moisture!
Moisture penetrating the cable will damage both the pump and the cable. Never immerse the cable end in fluid and always protect it from moisture. Unused wires must be insulated!

Our pumps are operated with single or three phase alternating current. The governing national directives, standards, and regulations (e.g. VDE 0100) as well as the requirements of the local energy supply company must be observed.

The person operating the pump must know where it is supplied with power and how to cut off the supply. A motor protection switch must be installed by the customer for three phase AC motors. It is advisable to install a residual-current device (RCD). If there is a possibility that people can come into contact with the pump and the fluid (for example on construction sites), the connection **must** be equipped with an additional residual current device (RCD).

The section entitled “Electrical connection” must be observed when connecting the product. The technical specifications must be observed strictly. Our pumps must always be grounded.

If the pump has been switched off by a protective device, it must not be switched on again until the fault has been eliminated.

When the pump is connected to the electrical control panel, particularly when electronic devices such as soft start control or variable frequency drives are used, the switchgear manufacturer’s specifications must be followed to comply with the electromagnetic compatibility (EMC) requirements. Special separate shielding measures (e.g. shielded cables, filters, etc.) may be necessary for the power supply and control cables.

The connection may only be made if the switchgear complies with the harmonized EU standards. Cellphones and other mobile radio equipment may cause malfunctions in the system.



WARNING: electromagnetic radiation!
Electromagnetic radiation can pose a fatal risk for people with cardiac stimulators. Affix corresponding signs to the unit and inform affected persons accordingly!

2.4. Safety and monitoring devices

The pumps are equipped with a thermal winding monitor and motor leakage detection. If the motor becomes too hot during operation or if fluid leaks into the motor, the pump is switched off.

These devices must be connected by an electrician and checked to ensure that they function correctly before commissioning.

Personnel must be informed about the installed devices and how they work.

CAUTION!
Never operate the pump if the monitoring devices have been removed or damaged, or if they do not work.

2.5. Conduct during operation

When operating the pump, always follow the locally applicable laws and regulations for work safety, accident prevention, and handling electrical machinery. To help ensure safe working practice, the responsibilities of employees should be clearly specified by the operator. All personnel are responsible for ensuring that regulations are observed.

Due to their design, centrifugal pumps have rotating parts that are easily accessible. Depending on the operating conditions, sharp edges can develop on these parts.



WARNING: danger of crushing and amputation of limbs!
Sharp edges can form on the rotating parts in the hydraulics. These can result in crushing and amputation of limbs.

- Never reach into the hydraulics when the machine is in operation.
- Before performing maintenance or repairs, switch off the pump, disconnect it from the power supply, and secure it against being switched on again without authorization.
- Always allow the rotating parts to come to a standstill!

2.6. Fluids

Each fluid differs in respect of composition, corrosiveness, abrasiveness, dry matter content, and in many other aspects. Generally, our pumps can be used for many applications. Please note that if requirements change (density, viscosity, or general composition), this can also affect many parameters of the pump.

If the pump is used in or switched over to a different fluid, observe the following points:

- The fluid can be contaminated by oil from the sealing chamber if the mechanical seal is defective.
Use with potable water is not permitted!

- Pumps that have been operated in dirty waste water must be cleaned thoroughly before being used for other fluids.
- Pumps that have been operated in sewage water containing feces and/or fluids that are hazardous to health must be decontaminated before being used with other fluids.

Clarification must be sought as to whether the pump can be used with another fluid at all.

2.7. Sound pressure

Depending on the size and performance (kW) of the pump, it has a sound pressure level of approximately 70 dB (A) to 90 dB (A) during operation.

However, the actual sound pressure level depends on several factors. These include, for example, the installation depth, installation method, fixation of accessories and piping, the duty point, immersion depth, etc.

We recommend that the end user takes an additional measurement at the workplace once the pump is running at its duty point and under all operating conditions.



CAUTION: Wear ear defenders!
According to applicable laws and regulations, ear protection must be worn if the sound pressure level is 85 dB(A) or more. The end user is responsible for ensuring compliance with this regulation.

2.8. Note on conformity

This product was developed and manufactured in accordance with the applicable EU product directives, to which all products sold in the EU must conform.

This product therefore complies with the general safety and health requirements of the European Union relevant to the product, as well as the relevant published

European standards and internationally recognized German standards.

Since this product was not intended to be sold and used in the European Union, it does not have a CE marking.

It is therefore not permitted to sell it in the European Union.

3. Product description

The pump is manufactured with great care and is subject to constant quality controls. Trouble-free operation is guaranteed if it is installed and maintained correctly.

3.1. Intended use and fields of application



DANGER: electrical hazard
When using the pump in swimming pools or other basins that can be entered, there is a risk of electrocution. Note the following:

- Use is strictly forbidden if there are people in the pool or basin!
- If there are no people in the pool or basin, protective measures must be taken in accordance with DIN VDE 0100-702.46 (or the appropriate national regulations).



DANGER: explosive fluids!
Pumping explosive fluids (e.g. gasoline, kerosene, etc.) is strictly prohibited. The pumps are not designed for these fluids!

Wilo-Rexa PRO... submersible pumps are suitable for pumping the following fluids, in intermittent or permanent operation:

- Drainage and sewage
- Sewage containing feces
- Municipal and industrial wastewater
- Sludges with up to 8% dry matter (depending on pump type)

The pumps can be used in building and site drainage systems and in sumps and tanks.

The submersible pumps must not be used for pumping the following:

- Potable water
- Fluids containing hard components such as stone, wood, metal, sand, etc.
- Highly flammable and explosive fluids in pure form

Intended use also includes compliance with these instructions. Any other use is regarded as improper use.

3.2. Setup

The Wilo-Rexa pumps are submersible sewage pumps that can be operated vertically in stationary or portable wet well installation and vertically in stationary dry well installation.

Fig. 1.: Description

1	Cable	5	Hydraulics housing
2	Handle	6	Suction connection
3	Motor housing	7	Pressure connection
4	Seal housing		

3.2.1. Hydraulics

Rotodynamic hydraulics with vortex impeller, with horizontal flange connection on the pressure side.
The hydraulics are not self-priming, in other words, the fluid must flow in either under natural pressure or under supply pressure.

3.2.2. Motor

Single or three phase AC glanded motors are used as the motors. The motor is cooled by the fluid around it. The waste heat is transferred directly to the fluid via the motor housing. The motor may emerge from immersion during operation.



NOTE

When the motor is non-immersed, observe and comply with the specifications for “non-immersed operating mode.”

With AC motors, the operating capacitor is integrated in an external capacitor switchgear in the connection cable.

The connection cable has a length of 40 ft (12.5 m), is longitudinally watertight, and is available in following versions:

- Cable with plug
- Bare cable end

3.2.3. Monitoring equipment

• Motor compartment monitor:

The motor compartment monitor signals water ingress into the motor compartment.

• Thermal motor monitor:

The thermal motor monitor protects the motor winding from overheating. Bimetallic strips are used for this as standard. The motors can be equipped with PTC sensors as an option.

The motor can also be fitted with an external pencil electrode to monitor the sealing chamber. This signals if there is water ingress into the sealing chamber through the mechanical seal on the fluid side.

3.2.4. Seal

The seal for the fluid and the motor compartment is made via two mechanical seals. The sealing chamber between the mechanical seals is filled with environmentally safe medicinal white oil.

3.2.5. Materials

- Motor housing:
ASTM A48 Class 35/40B (EN-GJL-250)
- Hydraulic housing:
ASTM A48 Class 35/40B (EN-GJL-250)
- Impeller:
ASTM A48 Class 35/40B (EN-GJL-250)
- Shaft end: AISI 420 (1.4021)
- Static gaskets: Nitrile (NBR)
- Seal
 - On pump side: SiC/SiC
 - On motor side: C/MgSiO₄

3.2.6. Attached plug

In the “P” version, a shockproof plug is attached for single phase AC motors and a CEE-plug is attached for three phase AC motors.

These plugs are designed for use in commercially available shock-proof or CEE sockets and are not submersible.

CAUTION: beware of moisture!

Ingress of moisture will result in damage to the plug. Never immerse the plug in fluid and always protect it from moisture.

3.3. Operation in an explosive atmosphere

Pumps with the “Ex” marking are suitable for operation in an explosive atmosphere. The pumps must meet certain guidelines for this type of use. Certain rules of conduct and guidelines must be also followed by the operator.

Pumps that have been approved for use in an explosive atmosphere must be marked as follows on the rating plate:

- “Ex” symbol
- Information on Ex classification

For use in an explosive atmosphere, observe the further specifications in the appendix to this manual



DANGER: from incorrect use!

When used in an explosive atmosphere, the pump must have a corresponding approval. Also, the accessories must be approved for this application. Check the pump as well as all accessories before use to verify that they are approved in accordance with regulations.

3.4. Operating modes

3.4.1. Operating mode S1 (permanent operation)

The pump can operate continuously at the rated load without exceeding the permissible temperature.

3.4.2. Operating mode S2 (short term operation)

The maximum operating period is specified in minutes, e.g. S2-15. The pause must last until the machine temperature is no more than 2 K away from the temperature of the coolant.

3.4.3. Operating mode S3 (intermittent operation)

This operating mode defines a combination of periods of operation and standstill. With S3 operation, the values given are always calculated based on a period of 10 minutes.

Examples

- S3 20 %
Operation 20 % of 10 min = 2 min / standstill 80 % of 10 min = 8 min
- S3 3 min
Operation 3 min / standstill 7 min

If two values are specified, they are related to each other, e.g.:

- S3 5 min/20 min
Operation 5 min /standstill 15 min
- S3 25 %/20 min
Operation 5 min /standstill 15 min

3.5. Technical data

General data	
Line power [V/F]:	See rating plate
Power consumption [P ₁]:	See rating plate
Rated motor power [P ₂]:	See rating plate
Maximum delivery head [H]:	See rating plate
Maximum volume flow [Q]:	See rating plate
Activation type [AT]:	See rating plate
Fluid temperature [t]:	37..104 °F (3...40 °C)
Protection class:	IP 68
Insulation class [Cl.]:	F (optionally H)
Speed [n]:	See rating plate
Max. immersion depth:	66 ft (20 m)
Explosion protection:	FM
Operating modes	
Immersed [OT _s]:	S1
Non-immersed [OT _e]:	S1*, S2 30min, S3 25%**
Switching frequency	
Recommended:	20 /h
Maximum:	50 /h
Free ball passage	
PRO V05-...:	2.0 in (50 mm)
PRO V06-...:	2.5 in (65 mm)
PRO V08-...:	3.0 in (80 mm)
Suction connection:	
PRO ...05-...:	DN 50/PN 10
PRO ...06-...:	DN 65/PN 10
PRO ...08-...:	DN 80/PN 10
Pressure connection:	
PRO ...05-...:	ANSI B16.1 125lbs 2/Npt2
PRO ...06-...:	ANSI B16.1 125lbs 2.5/3
PRO ...08-...:	ANSI B16.1 125lbs 3

* S1 operation when non-immersed is **not** possible with all motors. Observe the information on the rating plate.

** Operating mode S3 50% is permissible if the necessary motor cooling is guaranteed by complete immersion for at least 1 minute before the motor is switched back on again.

The specified technical data apply to the standard pumps in the PRO series.

The technical data for freely configured pumps in the PRO series can be found in the relevant order confirmation.

3.6. Type key

Example:	Wilo-Rexa PRO V06DA-110/EAD1F2-T0015-646-O
PRO	Series
V	Impeller shape V = vortex impeller C = single-channel impeller
06	Pressure connection size 05 = ANSI B16.1 125lbs 2/Npt2 06 = ANSI B16.1 125lbs 2.5/3 08 = ANSI B16.1 125lbs 3
D	Hydraulic version D = suction side drilled acc. to DIN N = suction side drilled acc. to North American Standard (ANSI)
A	“Hydraulic” material version A = standard version Y = special version
110	Hydraulics type
E	Motor version E = glanded motor R = reduced-power glanded motor
A	“Hydraulic” material version A = standard version Y = special version
D	Seal version D = 2 independent mechanical seals B = cartridge seal
1	IE efficiency class, e.g.: 1 = IE1 (based on IEC 60034-30)
F	With Ex-rating: X = ATEX F = FM C = CSA
2	Number of poles
T	Line power version M = 1~ T = 3~
0015	/10 = rated power P ₂ in kW
6	Frequency 5 = 50 Hz 6 = 60 Hz
46	Key for rated voltage
O	Additional electrical equipment O = with bare cable end P = with plug

3.7. Scope of delivery

Standard product

- Pump with 40 ft (12.5 m) cable
- Single phase version with capacitor switchgear and free cable end
- Three phase version with
 - bare cable end
 - with CEE plug
- Installation and operating instructions

Freely configured products

- Pump with cable length per customer request
- Cable version
 - with bare cable end
 - with plug
 - with float switch and bare cable end
 - with float switch and plug
- Installation and operating instructions

3.8. Accessories

- Cable lengths up to 160 ft (50 m) in fixed length increments of 40 ft (12.5 m) or customized cable lengths on request
- Guide system
- Pump foot
- External pencil electrode for sealing chamber control
- Level controls
- Fixing accessories and chains
- Switchgears, relays, and plugs
- Ceram coating
- Thermal motor monitoring with PTC sensors

4. Transport and storage

4.1. Delivery

On delivery, check immediately that the shipment is complete and undamaged. If any parts are damaged or missing, the transport company or the manufacturer must be notified on the day of delivery. Claims made after this date cannot be recognized. Any damage to parts must be noted on the freight documentation.

4.2. Transport

Only the appropriate and approved fastening devices and transportation and lifting equipment may be used. These must have sufficient load bearing capacity to ensure that the pump can be transported safely. If chains are used they must be secured against slipping.

The personnel must be qualified for the tasks and must follow all applicable national safety regulations during the work.

The pumps are delivered by the manufacturer or shipping agency in suitable packaging. This normally precludes the possibility of damage occurring during transport and storage. The packaging should

be stored in a safe place for reuse if the product is frequently used at different locations.

4.3. Storage

Newly supplied pumps are prepared so that they can be stored for at least 1 year. The pump should be cleaned thoroughly before it is put into temporary storage.

The following should be taken into consideration for storage:

- Place the pump on a firm surface and secure it against slipping and falling over. Submersible sewage pumps are stored vertically.



DANGER: from falling
Never set the pump down unsecured. If the pump falls over, it could cause an injury.

- Our pumps can be stored at temperatures down to +5 °F (-15 °C). The storage area must be dry. We recommend a frost-protected room for storage with a temperature between 41 °F (5 °C) and 77 °F (25 °C).
- Do not store the pump in rooms in which welding work is carried out, because the resulting gases or radiation can damage the elastomer components and coating.
- Suction and pressure connections must be sealed securely to prevent the entry of contamination.
- All power supply cables must be protected against kinking, damage, and moisture ingress.



DANGER: electrical hazard!
Damaged power supply cables can cause fatal injury! Defective cables must be replaced by a qualified electrician immediately.

CAUTION: beware of moisture!
Moisture penetrating the cable will damage both the pump and the cable. Never immerse the cable end in fluid and always protect it from moisture.

- The pump must be protected from direct sunlight, heat, dust, and frost. Heat or frost can cause serious damage to impellers and coatings!
- The impellers should be checked at regular intervals. This prevents jamming of the bearings and it renews the film of lubrication on the mechanical seal.



WARNING: sharp edges!
Sharp edges can form on the impellers and hydraulic openings. There is a risk of injury! Wear the necessary protective clothing, such as protective gloves.

- If the pump has been stored for a long period of time, it should be cleaned of contaminants such as dust and oil residue before commissioning. Check

that the impellers move freely and check the housing coatings for damage.

Prior to commissioning, the fill level in the sealing chamber should be checked and topped up, if necessary.

Damaged coatings must be repaired immediately. Only an intact coating fulfils its intended purpose.

Please note that elastomer parts and coatings become brittle over time. If the product is to be stored for longer than 6 months, we recommend checking these parts and replacing them as necessary. Consult the manufacturer for details.

4.4. Return delivery

Pumps that are returned to the factory must be properly packaged. This means that contaminants have been removed from the pump and that it has been hygienically decontaminated if used with fluids that are hazardous to health.

For shipping, the parts must be packed in tear-proof plastic bags of sufficient size in such a manner that they are tightly sealed and leak proof. Furthermore, the packaging must protect the pump from damage during transportation. If you have any questions, please contact the manufacturer.

5. Installation

In order to prevent damage to the product or serious injury during installation, the following points must be observed:

- Installation work – assembly and installation of the pump – may only be carried out by qualified persons. The safety instructions must be followed at all times.
- The pump must be inspected for transport damage before any installation work is carried out.

5.1. General

For planning and operation of sewage systems, observe the applicable local regulations and directives for sewage technology (such as those of the German Association for Water, Wastewater and Waste). Note that pressure surges can occur, in particular with stationary installations where water is pumped with relatively long discharge pipes (especially with steady ascents or steep terrain).

Pressure surges can result in destruction of the pump/system and noise pollution due to valves opening and closing suddenly. Pressure surges can be prevented by applying suitable measures (e.g. non-return valves with an adjustable closing time, or special routing of the discharge pipeline).

After pumping water containing calcium, clay, or cement, the pump should be flushed with pure water to prevent encrustation and to avoid related breakdowns later on.

If you are using level control, make sure that the minimum water coverage is present. Air pockets

in the hydraulic housing or pipe system must be avoided at all costs and must be removed by using a suitable ventilation system and/or by placing the pump at a slight angle (if installed as a portable pump). Protect the pump from frost.

5.2. Installation methods

- Vertical stationary wet well installation with guide system
- Vertical portable wet well installation with pump foot
- Vertical stationary dry well installation

5.3. Installation



DANGER: from falling!

When installing the pump and its accessories, work is sometimes performed directly at the edge of the basin or sump. Carelessness or wearing inappropriate clothing could result in a fall. There is a risk of fatal injury! Take all necessary safety precautions to prevent this.

The following information should be taken into consideration when installing the pump:

- This work must be carried out by a qualified person and electrical work must be carried out by an electrician.
- The operating space must be clean, free of coarse solids, dry, frost-free and, if necessary, decontaminated. It must also be suitable for the particular pump.
- When working in sumps, a second person must be present for safety reasons. If there is a risk of toxic or asphyxiating gases building up, the necessary precautions must be taken.
- The system planner should select the sump size and motor cooling time according to the ambient conditions in operation.
- Ensure that lifting equipment can be set up without any trouble, since this is required for assembly and removal of the pump. It must be possible to reach the pump safely in its operating and storage locations using the lifting equipment. The machine must be positioned on a firm bearing surface. For transporting the pump, the lifting gear must be secured to the lifting eyelets or handle provided. When using chains, they must be connected with a shackle to the lifting eyelets or the handle. Lifting gear must be technically approved.
- Power supply cables must be laid out in such a way that safe operation and trouble-free assembly/dismantling are possible at all times. The pump must never be carried or dragged by the power supply cable. Check whether the cable present is adequate for the type of installation selected, in terms of its cross-section and its length.
- When using switchgear, the corresponding protection class must be observed. In general, switchgear

is to be installed outside potentially explosive areas in such a way that it is protected from submersion.

- When used in an explosive atmosphere, it must be ensured that the pump and all accessories are approved for this purpose.
- Structural components and foundations must be of sufficient stability in order to allow the product to be fixed securely and functionally. The end user or the supplier is responsible for the provision of the foundations and their suitability in terms of dimensions, stability, and strength.
- If the motor housing is to be taken out of the fluid during operation, the operating mode for non-immersed operation should be applied.

To keep glanded motors sufficiently cooled in S3 mode, they must be flooded completely before being switched back on if the motor has been taken out of the fluid!

- Never let the pump run dry. The water level must never fall below the minimum. Therefore, we recommend installing a level control system or a dry-running protection system where there are great variations in the level.
- Use guide and deflector plates for the fluid intake. If the water jet reaches the surface of the water, air will be introduced into the fluid, which can accumulate in the pipe system. This can result in inadmissible operating conditions and to deactivation of the entire system.
- Check that the available planning documentation (installation plans, layout of the operating space, intake ratios) is complete and correct.
- Also observe all regulations, rules, and legal requirements for working with and underneath heavy suspended loads. Wear appropriate protective clothing/equipment.
- Please also observe the applicable national accident prevention regulations and trade association safety provisions.

5.3.1. Maintenance work

After a storage period of more than 6 months, the following maintenance work must be carried out before installation:

- Rotate impeller
- Check oil level in the sealing chamber

Rotate impeller

1. Position the pump horizontally on a firm surface.
Make sure that the pump cannot fall over and/or slip.
2. Carefully and slowly reach into the hydraulics housing from below and rotate the impeller.



WARNING: sharp edges!
Sharp edges can form on the impellers and hydraulic opening. There is a risk of injury! Wear the necessary protective clothing, such as protective gloves.

Check oil level in sealing chamber

The sealing chamber has a hole for draining and filling the chamber.

1. Position the pump horizontally on a firm surface with the screw plug facing upward.
Make sure that the pump cannot fall over and/or slip.
2. Unscrew the screw plug (see Fig. 8).
3. The oil should reach up to about 0.4 in (1 cm) below the hole for the screw plug.
4. If there is not enough oil in the sealing chamber, top it up. To do so, follow the instructions under “Oil change” in the “Maintenance and repair” section.
5. Clean the screw plug, replace the joint ring if necessary, and screw it back in.

5.3.2. Stationary wet well installation

A guide system must be installed for wet well installation. This must be ordered from the manufacturer separately. The pipe system on the pressure side is connected to this.

The connected pipe system must be self-supporting, i.e. it must not be supported by the guide system.

The operating space must be laid out so that the guide system can be installed and operated without difficulty.

If the motor emerges from immersion during operation, the following operating parameters must be strictly observed:

- The **max. fluid temperature and ambient temperature is 104 °F (40 °C).**
- Specifications for “non-immersed operating mode”

Fig. 2.: Wet well installation

1	Guide system	6	Lifting gear
2	Non-return valve	7a	Min. water level for immersed operation
3	Gate valve	7b	Min. water level for non-immersed operation*
4	Pipe elbow	8	Impact protection plate
5	Guide pipe (to be provided by the customer)	9	Inlet
A	Minimum distances in parallel operation		
B	Minimum distances in alternating operation		

Clearance "A"	
DN 50	308 mm
DN 65	385 mm
DN 80	615 mm
DN 100	615 mm

Work steps

1. Installation of the guide system: about 3–6 h (see the installation and operating instructions for the guide system).
2. Preparing the pump for operation on a guide system: about 1–3 h (see the installation and operating instructions for the guide system).
3. Installing the pump: about 3–5 h
 - Check that the guide system is firmly fixed and functions properly.
 - Secure the lifting equipment to the pump with the shackle, lift the pump, and then lower slowly onto the guide pipes in the operating space.
 - Hold the power supply cables slightly taut when lowering.
 - When the pump is connected to the guide system, ensure that the power supply cables are secured adequately to prevent them falling down and or being damaged.
 - Have the electrical connections made by a qualified electrician.
 - The pressure connection is sealed by its own weight.
4. Installing optional accessories, such as dry-running protection or level controls.
5. Starting up the pump: about 2–4 h
 - As described in the "Commissioning" section
 - For new installation: Flood the operating space
 - Vent the pressure pipe.

5.3.3. Portable wet well installation

In this installation type, the pump has to be equipped with a pump foot (available as an option). This is attached to the suction port and ensures the minimum ground clearance and a secure footing if placed on a solid bearing surface. In this version, the pump can be positioned anywhere in the operating space. If used in an operating space with a soft bearing surface, a hard base must be used to prevent sinking. A pressure hose is connected on the pressure side.

If operated for longer periods of time in this installation type, the pump must be fastened to the floor. This prevents vibration and ensures quiet and low-wearing running.

If the motor emerges from immersion during operation, the following operating parameters must be strictly observed:

- The **max. fluid temperature and ambient temperature is 104 °F (40 °C)**.
- Specifications for "non-immersed operating mode"



CAUTION: beware of burns!
The housing parts can heat up to well above 104 °F (40 °C). There is a risk of burns! After switching it off, let the pump cool down to ambient temperature.

Fig. 3.: Portable installation

1	Lifting gear	5	Storz hose coupling
2	Pump foot	6	Pressure hose
3	Pipe elbow for hose connection or Storz pipe coupling	7a	Min. water level for immersed operation
4	Storz pipe coupling	7b	Min. water level for non-immersed operation

Work steps

1. Preparing pumps: about 1 h
 - Install the pump foot on the suction connection.
 - Install the pipe elbow on the pressure connection.
 - Fasten the pressure hose to the pipe elbow with a hose clip.
 Alternatively, a Storz pipe coupling can be installed on the pipe elbow and a Storz hose coupling can be installed on the pressure hose.
2. Installing the pump: about 1–2 h
 - Position pump in installation location. If necessary, secure lifting equipment to the pump with a shackle, lift the pump, and then lower to the intended location (sump, pit).
 - Check that the pump is vertical and on a solid bearing surface. Avoid sinking.
 - Route the power supply cable so it cannot be damaged.
 - Have the electrical connections made by a qualified electrician.
 - Route the pressure hose so that it is not damaged and fasten it at certain points (e.g. outflow).



DANGER: risk of pressure hose becoming separated!
Uncontrolled separation or movement of the pressure hose can result in injuries. Secure the pressure hose appropriately. Prevent buckling of the pressure hose.

3. Starting up the pump: about 1–3 h
 - As described in the "Commissioning" section

5.3.4. Stationary dry well installation

In this installation type, the operating space is divided into a collector tank and a machine room. The fluid is collected in the collector tank and the pump is installed in the machine room. The operating space must be prepared according to the manufacturer's configuration or planning guide. The pump

is connected to the pipe system on the suction and pressure sides at the specified point in the machine room. The pump itself is not immersed in the fluid.

The pipe system on the suction and pressure sides must be self-supporting, i.e. it may not be supported by the pump. In addition, the pump connection to the pipe system must be free of stress and vibrations. We therefore recommend using elastic connection pieces (expansion joints).

The following operating parameters must be observed for dry well installation.

- The **max. fluid temperature and ambient temperature is 104 °F (40 °C).**
- Specifications for “non-immersed operating mode”
The pump is not self-priming, so the hydraulics housing must be completely filled with the fluid. The minimum level in the collector tank must be at the same height as the upper edge of the hydraulics housing.



CAUTION: beware of burns!
The housing parts can heat up to well above 104 °F (40 °C). There is a risk of burns! After switching it off, let the pump cool down to ambient temperature.

Fig. 4.: Stationary dry well installation

1	Collector tank	5	Expansion joint
2	Machine room	6	Pump
3	Gate valve	7	Min. water level
4	Non-return valve	8	Dry-running protection

Work steps

1. Installing the pump: about 3–5 h
 - Check that the pipe system is secured firmly.
 - Secure lifting equipment to the pump with a shackle, lift the pump, and then lower slowly on to the pipe system.
 - When lowering the pump, be mindful of the power supply cables.
 - When the pump is resting on the piping, fasten the pump to the pipe system on the suction and pressure sides.
 - Route the power supply cables in accordance with local requirements.
 - Have the electrical connections made by a qualified electrician.
2. Install optional accessories, such as dry-running protection or level controls.
3. Starting up the pump: about 2–4 h
 - As described in the “Commissioning” section
 - Open slide valves on suction and pressure sides.
 - Vent the pressure pipe.

5.3.5. Level control

Level control can be used to detect fluid levels and to switch the pump on and off automatically. The fluid levels can be recorded using float switches,

pressure and ultrasound measurements, or electrodes.

Note the following:

- When using float switches, ensure that they can move freely in the operating area.
- The water level must not fall below the minimum.
- The maximum switching frequency must not be exceeded.
- If the fluid levels fluctuate strongly, then level control should be implemented using two measuring points as standard. This allows larger intervals before control is triggered.

Installation

For correct installation, please see the installation and operation instructions for the level control device.

Observe the information on the maximum switching frequency and the minimum water level!

5.4. Dry-running protection

To ensure the necessary cooling, the pump may need to be immersed when in operation, depending on the operating mode. In addition, it is also important to ensure that no air enters the hydraulics housing.

The pump must therefore always be immersed in the fluid up to the top edge of the hydraulic housing or, if applicable, up to the top edge of the motor housing. For optimum operational reliability, we recommend installing a dry-running protection system. This can be implemented using float switches or electrodes. The float switch or electrode is fixed in the sump and switches off the pump when the water level falls below the minimum coverage level. If the dry-running protection only includes one floater or electrode and the fluid levels deviate significantly, then the pump may switch on and off constantly. This can result in the maximum number of motor activations (switching cycles) being exceeded.

5.4.1. Remedies for avoiding excessive switching cycles

- Manual reset
The motor is switched off when the water level falls below the minimum coverage level and switched back on when a sufficient water level is reached.
- Separate reactivation point
A second switching point (additional floater or electrode) is used to obtain a sufficient difference between the activation and deactivation points. This prevents constant switching. This function can be implemented using a level control relay.

5.5. Electrical connection



ELECTROCUTION hazard!

Incorrect electrical connections can cause fatal electric shocks. Electrical connections may only be carried out by a qualified electrician approved by the local energy supply company, in accordance with locally applicable regulations.



DANGER: from incorrect connection!

With Ex-rated pumps, the power supply cable must be connected outside the potentially explosive area, or inside a housing with an approved level of ignition protection. Non-observance may lead to fatal injury due to explosion!

- Always have the connection carried out by a qualified electrician.
- Note the additional information about this in the appendix.

- The line power current and voltage must be as stated on the rating plate.
- Connect the power supply cable in accordance with the applicable standards and regulations and according to the wire assignment.
- Any monitoring equipment to be used, e.g. for thermal motor monitoring, must be connected and tested to ensure that it is working properly.
- For three-phase AC motors, a clockwise phase sequence must be present.
- Ground the pump properly.
Pumps that are permanently installed must be grounded in compliance with nationally applicable standards. If a separate grounding conductor is available, it must be connected to the marked hole or ground terminal (⊕) using a suitable screw, nut, tooth lock washer, and flat washer. The cross section of the cable for the grounding conductor connection must comply with the local regulations.
- **A motor protection switch must be used for motors with a free cable end.** We recommend using a residual current device (RCD).
- Switchgear must be purchased as accessories.

5.5.1. Line-side fuse protection

The backup fuse required must be rated according to the starting current. Refer to the rating plate for the starting current.

Only slow-blow fuses or K-type circuit breakers can be used as the backup fuse.

5.5.2. Checking the insulation resistance and monitoring devices before commissioning

If the values measured deviate from the specifications, moisture may have penetrated into the motor or the power supply cable or the monitoring unit may be defective. Do not connect the pump, and consult Wilo customer service.

Insulation resistance of the motor winding

Before connecting the power supply cable, the insulation resistance must be tested. This can be measured with an insulation tester (measuring voltage = 1000 V):

- On initial commissioning: insulation resistance may not be less than 20 MΩ.
- For further measurements: value must be larger than 2 MΩ.

For motors with an integrated capacitor, the windings must be short circuited before checking.

Temperature sensor and pencil electrode (available as an option) for sealing chamber control

Before connecting the monitoring devices, these must be checked with an ohmmeter. The following values must be complied with:

- Bimetallic strip: Value = "0" passage
- PTC thermistor sensor: A PTC thermistor sensor has a cold resistance of between 20 and 100 Ω. If there are 3 sensors in series, this results in a value of 60 to 300 Ω. If there are 4 sensors in series, this results in a value of 80 to 400 Ω.
- Pencil electrode: This value must approach infinity. If the value is low, there is water in the oil. Also observe the instructions of the optional evaluation relay.

5.5.3. Single phase AC motor

Fig. 5.: Connection diagram

L	Line power	DK	Leakage detection for motor compartment
N			
20	Bimetallic strip	Cr	Operating capacitor
21		PE	

The single phase version has a capacitor switchgear (operating capacitor) and free cable ends. The connection to line power is made in the switchgear.

Electrical connections may only be made by a qualified electrician!

The wires of the connection cable are assigned as follows:

7-wire connection cable	
Wire number	Terminal
1	Temperature monitor for winding
2	
3	L (U1/Z1)
4	N (U2)
5	Z2 - connection for the operating capacitor
6	Leakage detection for motor compartment
Green/yellow	Ground (PE)

If the pump is fitted with a plug, it is connected to the power supply by inserting the plug into a socket.

5.5.4. Three phase AC motor

Fig. 6.: Connection diagram with bimetallic strip

L1	Line power	DK	Leakage detection for motor compartment
L2		20	
L3	Ground	21	Bimetallic strip
PE			

Fig. 7.: Connection diagram with PTC sensor

L1	Line power	DK	Leakage detection for motor compartment
L2		10	
L3	Ground	11	
PE			

The three phase version is supplied with free cable ends. The connection to line power is made in the switchgear.

Electrical connections may only be made by a qualified electrician!

The wires of the connection cable are assigned as follows:

7-wire connection cable	
Wire number	Terminal
1	Temperature monitor for winding
2	
3	U
4	V
5	W
6	Leakage detection for motor compartment

Green/yellow	Ground (PE)
--------------	-------------

If the pump is fitted with a plug, it is connected to the power supply by inserting the plug into a socket.

The specified wire assignments apply to the standard pumps in the PRO series.

The wire assignment for freely configured pumps in the PRO series can be found in the connection diagram enclosed with this manual.

5.5.5. Connecting the monitoring devices



RISK of fatal injury due to explosion!
If the monitors are not connected correctly, there is a risk of fatal injury due to explosion if used in potentially explosive areas! Always have the connection carried out by an electrician. If the pump is used in potentially explosive areas:

- **The temperature monitor must be connected via an evaluation relay. We recommend the "CM-MSS" relay for this. The threshold comes preset.**
- **Deactivation by the temperature limiter must be conducted with an anti-reactivation mechanism, meaning that reactivation should only be possible if the "release button" has been pressed manually!**
- **The pencil electrode for sealing chamber control must be connected via an intrinsically safe circuit with an evaluation relay. We recommend the "XR-42x" relay for this. The threshold is 30 kΩ.**
- **Also note the additional information in the appendix!**

All monitoring devices must be connected at all times.

Motor temperature monitor

The pump is equipped with a temperature limiter as standard (one-circuit temperature monitoring). When the threshold is reached, the pump must switch off.

If a temperature controller and limiter are fitted (two-circuit temperature monitoring; can be ordered as an option), a "preliminary warning" **can** take place at the low value and "deactivation" **must** take place at the higher value.

- When used **outside potentially explosive areas**, the bimetallic strips can be connected directly in the switchgear.
 Connection values: max. 250 V(AC), 2.5 A, $\cos \varphi = 1$
- PTC sensors (optionally available and in accordance with DIN 44082) must be connected via an evaluation relay. We recommend the "CM-MSS" relay for this. The threshold is already preset.
 For this reason, no warranty claims can be accepted for any damage to the winding resulting from unsuitable motor monitoring.

Motor compartment monitor

- The motor compartment monitor must be connected via an evaluation relay. We recommend the “NIV 101/A” relay for this. The threshold is 30 kΩ. When the threshold is reached, the pump must switch off.

Connecting the pencil electrode (available as an option) for sealing chamber control

- When used **outside potentially explosive areas**, the pencil electrode can be connected via the NIV 101/A relay. The threshold is 30 kΩ. When the threshold is reached, a warning must be given or the unit switched off.

CAUTION!

If there is only a warning, the pump could be irreparably damaged by water ingress. We recommend always switching the pump off!

5.6. Motor protection and activation types**5.6.1. Motor protection**

The minimum requirement for motors with a free cable end is a thermal relay/motor protection switch with temperature compensation, differential triggering, and an anti-reactivation device, in accordance with national regulations.

If the pump is connected to electrical systems in which faults frequently occur, we recommend installing additional protective devices, to be provided by the customer (e.g. relays for overvoltage, undervoltage, or phase failure; lightning protection, etc.). We also recommend installing a residual current device (RCD).

Local and national regulations must be observed when connecting the pump.

5.6.2. Activation types**Direct activation**

At full load, the motor protection should be set to the rated current shown on the rating plate. At partial load, we recommend that the motor protection be set 5% above the current measured at the duty point.

Soft start activation

- At full load, the motor protection should be set to the rated current at the duty point. At partial load, we recommend that the motor protection be set 5% above the current measured at the duty point.
- The current consumption must be below the rated current throughout the entire operation.
- Due to the upstream motor protection, starting or stopping should be completed within 30 seconds.

- To avoid power dissipation during operation, bypass the electronic starter (soft start) once normal operation is reached.

Pumps with a plug

At full load, the motor protection should be set to the rated current shown on the rating plate. At partial load, we recommend that the motor protection be set 5% above the current measured at the duty point.

Plugs are not immersion-proof. Note the protection class (IP). The socket must be installed where it will not be submersed.

5.6.3. Operation with variable frequency drives

Operation on a variable frequency drive is possible. Note the information about this in the appendix.

6. Commissioning

The “Commissioning” section contains all the important instructions for the operating personnel for starting up and operating the pump.

The following conditions must be adhered to and monitored:

- Type of installation
 - Operating mode
 - Minimum water submersion/max. immersion depth
- These general conditions must also be checked after a long period without operation, and any defects detected must be repaired!**

Always keep this manual either by the pump or in a place specially reserved for it, where it is accessible for the entire operating personnel at all times.

In order to prevent damage or serious injury when commissioning the pump, the following points must be observed:

- Commissioning of the pump may only be carried out by qualified and trained personnel in accordance with the safety instructions.
- All persons working on or with the pump must have received, read, and understood this operating and maintenance manual.
- All safety devices and emergency cut-outs must be connected and checked to ensure that they work properly.
- Electrical and mechanical adjustments must be made by qualified personnel.
- The pump is suitable for use under the specified operating conditions.
- In general, people should be kept out of the working area of the pump. No persons should be allowed in the working area during startup or operation.
- When working in sumps, a second person must be present. Adequate ventilation must be ensured if there is danger of toxic gases forming.

6.1. Electrical system

Connect the pump and install the power supply cables as described in the "Installation" section and in accordance with applicable national regulations. The pump must be properly protected and grounded.

Ensure correct direction of rotation. If the direction of rotation is incorrect, the pump will not perform as specified and may be damaged.

Ensure all monitoring devices are connected and have been tested.



DANGER: electrical hazard!

Electrical current can cause fatal injuries if not handled correctly! All pumps with free cable ends (i.e. without plugs) must be connected by a qualified electrician.

6.2. Rotation control

The pump is checked and adjusted in the factory to ensure that the direction of rotation is correct. The connection must be made according to the wiring markings.

A test run must be performed under general operating conditions!

6.2.1. Checking the direction of rotation

The direction of rotation must be checked by a local electrician using a phase sequence tester. For the correct direction of rotation, a clockwise phase sequence must be present.

The pump is not approved for operation with a counterclockwise phase sequence!

6.2.2. If the direction of rotation is incorrect

If the direction of rotation is incorrect for direct start motors, two phases must be swapped. In the case of motors with star-delta starting, the connections of two windings must be swapped, e.g. U1 with V1 and U2 with V2.

6.3. Level control

Check that the level control device is installed properly and inspect the switching points. For the required information please refer to the installation and operating instructions for the level control device, as well as the planning documentation.

6.4. Operation in potentially explosive areas

If the pump is marked accordingly, it can be used inside potentially explosive areas.



RISK of fatal injury due to explosion!

Pumps without Ex marking must not be used in potentially explosive areas! There is a risk of fatal injury due to explosion! Check your pump before use to verify that it has the relevant approval:

- **Ex symbol**
- **Ex classification, e.g. II 2G Ex d IIB T4**
- **Also note the additional information in the appendix!**

6.5. Commissioning

The pump must have been installed properly as specified in the "Installation" section. This must be checked before the system is switched on.

Minor oil leakage at the mechanical seal on delivery is no cause for concern. However, it must be removed prior to submersion in the fluid.

Keep people out of the pump's working area. No persons should be allowed in the working area during startup or operation.

If the pump falls over, it must be switched off before setting it up again.



WARNING: danger of crushing!

In portable installations, the pump can fall over when it is switched on or during operation. Make sure that the pump is positioned on a firm bearing surface and that the pump foot is mounted correctly.

In the version with a plug, note the plug's IP protection class.

6.5.1. Before switching on

- Check the following, in general:
 - Cable guidance – no loops, slightly taut
 - Min./max. temperature of the fluid
 - Max. immersion depth
 - Clean the pipe system on the pressure side (hose, piping) – flush with clean water to prevent deposits causing clogging
 - The hydraulics housing must be completely filled by the fluid and there must be no air in the housing. It can be vented by suitable venting devices in the system or, if available, using vent screws on the pressure port.
 - Check switching points of level control and dry-running protection systems
 - Check to ensure all accessories are properly fitted
- The following points must also be checked in the case of wet well installation:
 - Clean the pump sump of coarse contaminants
 - Open all slide valves on the pressure side
- The following points must also be checked in the case of dry well installation:

- Clean the piping on the suction side – flush with clean water to prevent deposits causing clogging.
- Open all slide valves on the pressure and suction sides

If the slide valves on the suction and pressure sides are closed during operation, the fluid in the hydraulics housing is heated up by the pumping movement. This heating creates strong pressure in the hydraulics housing. The pressure can result in the pump exploding. Before switching on the pump, ensure that all the slide valves are open and open any closed slide valves.

6.5.2. Switching on/off

The pump is switched on and off using a separate operating point (on/off switch, switchgear) provided by the customer.

During the start-up procedure, the rated current is temporarily exceeded. After the start-up procedure is finished, the current must not exceed the rated current again.

If the motor does not start up, it must be switched off without delay. Before switching it on again, wait for the specified start pause and make sure to rectify the fault.

6.6. Conduct during operation

When operating the pump, always follow the locally applicable laws and regulations for work safety, accident prevention, and handling electrical machinery. To help ensure safe working practice, the responsibilities of employees should be clearly specified by the operator. All personnel are responsible for ensuring that regulations are observed.

Due to their design, centrifugal pumps have rotating parts that are easily accessible. Depending on the operating conditions, sharp edges can develop on these parts.



WARNING: danger of crushing and amputation of limbs!

Sharp edges can form on the rotating parts in the hydraulics. These can result in crushing and amputation of limbs. Never reach into the hydraulics when the machine is in operation.

The following must be checked at regular intervals:

- Operating voltage (permissible deviation +/-5% of the rated voltage)
- Frequency (permissible deviation +/- 2% of the rated frequency)
- Current consumption (permissible deviation between phases is a maximum of 5%)
- Voltage difference between the individual phases (max. 1%)
- Switching frequency and switching pauses (see technical data)
- Avoid air entry in the inlet; a deflector plate should be fitted if necessary
- Minimum water submersion

- Switching points for level control or dry-running protection
- Smooth running
- All slide valves must be open.

If the slide valves on the suction and pressure sides are closed during operation, the fluid in the hydraulics housing is heated up by the pumping movement. This heating creates strong pressure in the hydraulics housing. The pressure can result in the pump exploding. Make sure that all slide valves are open during operation.

7. Decommissioning/disposal

- All work must be carried out with the greatest care.
- Proper protective clothing is to be worn.
- When carrying out work in basins and/or tanks, the applicable local protection measures must be observed. A second person must be present for safety reasons.
- Only lifting equipment that is in a technically perfect condition and load carrying equipment that has been officially approved may be used for lowering and raising the pump.



RISK of fatal injury due to malfunctions!

Load carrying and lifting equipment must be in a perfect technical condition. Work may only commence once the lifting equipment has been checked and found to be in perfect working order. If it is not checked, fatal injuries may result.

7.1. Temporary decommissioning

For this type of deactivation, the pump remains installed and is not cut off from the electricity supply. In the event of temporary decommissioning the pump must remain completely immersed so that it is protected from frost and ice. Ensure that the temperature of the fluid and in the operating space does not fall below +37 °F (+3 °C).

This ensures that the pump is always ready for operation. For extended downtime, a regular (monthly to quarterly) 5 minute test run should be carried out.

CAUTION!

Only perform test runs under the proper operating and usage conditions. Never run the machine dry! This can result in irreparable damage!

7.2. Decommissioning for maintenance work or storage

The system must be switched off and the pump must be disconnected from the power supply by an electrician and secured against being switched on again without permission. Pumps with plugs must be unplugged (do not pull the cable!). Work

on removal, maintenance, and storage can then commence.



DANGER: from toxic substances!
Pumps that pump liquids hazardous to health must always be decontaminated before undertaking any other work. Otherwise, there is a risk of fatal injury! Wear the necessary physical protection equipment!



CAUTION: beware of burns!
The housing parts can heat up to well above 104 °F (40 °C). There is a risk of burns! After switching it off, let the pump cool down to ambient temperature.

7.3. Removal

7.3.1. Portable wet well installation

Pumps in portable wet well installation can be lifted out of the pit once they have been disconnected from the power supply and the pressure pipe has been drained. It may be necessary to detach the hose first. It may be necessary to use a suitable lifting device.

7.3.2. Stationary wet well installation

Pumps in stationary wet well installations with a guide system are raised out of the sump using the appropriate lifting equipment. During lifting, always hold the power supply cable slightly taut to prevent it being damaged.

The operating space does not have to be emptied especially for this purpose. All pressure- and suction-side slide valves must be closed to prevent the operating space overflowing or the discharge pipe being emptied.

7.3.3. Stationary dry well installation

For pumps in stationary dry well installation, the suction- and pressure-side slide valves have to be closed before removal. Note that the fluid in the hydraulics housing will escape during removal. Suitable collector tanks should be positioned to collect all of the escaping fluid.

After undoing the screwed connections on the suction and pressure connections, the pump can be removed using suitable lifting equipment. The operating space must be cleaned thoroughly after the pump is removed and any drips must be wiped up.

7.4. Return delivery/storage

For shipping, the parts must be packed in tear-proof plastic bags of sufficient size in such a manner that they are tightly sealed and leak proof.

For return delivery and storage please also refer to the “Transport and storage” section!

7.5. Disposal

7.5.1. Operating materials

Oils and lubricants must be collected in suitable vessels and disposed of in accordance with local directives.

7.5.2. Protective clothing

The protective clothing worn during cleaning and maintenance work must be disposed of in accordance with local directives.

7.5.3. Product

Proper disposal of this product avoids damage to the environment and risks to personal health.

- Use the services of public or private waste disposal companies, or consult them for the disposal of the product or parts thereof.
- For more information on proper disposal, please contact your local council or waste disposal office or the supplier from whom you obtained the product.

8. Maintenance and repair



ELECTROCUTION hazard!

There is a risk of fatal electric shocks when performing work on electrical devices. With all maintenance or repair work, the pump must be disconnected from the power supply and secured against being switched on again without permission. Damage to the power supply cable may only be rectified by a qualified electrician.



UNAUTHORIZED work could result in fatal injuries!

Maintenance and repair work that affects the safety of Ex protection must be carried out only by the manufacturer or authorized service workshops. Also note the additional information in the appendix!

- Before any maintenance or repair work, the pump must be deactivated and dismantled as described in the “Decommissioning/disposal” section.
- After maintenance or repair work, the pump must be installed and connected as described in the “Installation” section.
- The pump must be switched on as described in the “Commissioning” section.
Note the following:
- All maintenance and repair work must be carried out by Wilo customer service, authorized service workshops, or trained specialists, with the greatest of care and in a safe workplace. Proper protective clothing is to be worn.

- This manual must be available to and followed by the maintenance staff. Only maintenance and repair work described in this manual may be carried out.

Any other work and/or alterations to the construction may only be carried out by Wilo customer service.

- When carrying out work in basins and/or tanks, the applicable local protection measures must be observed in all cases. A second person must be present for safety reasons.
- Only lifting equipment that is in a technically perfect condition and load carrying equipment that has been officially approved may be used for lowering and raising the pump. Make sure that the pump does not jam during lifting and lowering. If the pump does jam, do not apply lifting forces greater than 1.2 times the pump weight. The maximum permissible bearing capacity should never be exceeded!

Make sure that the lifting gear, ropes, and the lifting equipment's safety devices are in perfect working order. Work may only commence if the lifting equipment has been checked and found to be in perfect working order. If it is not checked, fatal injuries may result.

- Electrical work on the pump and the system must be carried out by a qualified electrician. Blown fuses must be replaced immediately. They must never be repaired. Only fuses for the specified electric current and of the specified type may be used.
- If flammable solvents and cleaning agents are used, naked flames and smoking are prohibited.
- Pumps that circulate fluids that are hazardous to health or come into contact with such fluids must be decontaminated. In addition, make sure that no gases that are hazardous to health form or are present.

If injuries are caused by fluids or gases that are hazardous to health, apply the first aid measures specified at the working premises and notify a doctor immediately.

- Make sure that the necessary tools and materials are available. Tidiness and cleanliness ensure safe and smooth work on the pump. After working on the pump, remove any used cleaning materials and tools from the pump. Store all materials and tools in their proper place.
- Operating materials should be collected in suitable containers and disposed of properly. Always wear appropriate protective clothing when performing maintenance and repair work. This must also be disposed of properly.

8.1. Operating materials

8.1.1. Overview of white oil

The sealing chamber is filled with white oil that is potentially biodegradable.

When changing the oil, we recommend the following oil types:

- Aral Autin PL*
- Shell ONDINA 919
- Esso MARCOL 52* or 82*
- BP WHITEMORE WOM 14*
- Texaco Pharmaceutical 30* or 40*

All oil types marked with "*" are approved for use with foods in accordance with USDA-H1.

Filling quantities

The filling quantities depend on the motor:

- P 13.1: 30 oz (900 ml)
- P 13.2: 50 oz (1500 ml)
- P 17: 61 oz (1800 ml)

8.1.2. Overview of grease

The following lubricating grease can be used in accordance with DIN 51818/NLGI Class 3:

- Esso Unirex N3

8.2. Maintenance intervals

To ensure reliable operation, various maintenance tasks must be carried out regularly.

The maintenance intervals must be specified according to the load on the pump. Regardless of the specified maintenance intervals, the pump or installation must be checked if strong vibrations occur during operation.

When used in sewage lifting units inside buildings or on areas of land, the maintenance intervals and tasks should be in accordance with the requirements of local directives. Please check the requirements in your area!

8.2.1. Intervals for normal operating conditions

2 years

- Visual inspection of the power supply cable
- Visual inspection of accessories
- Visual inspection of the coating and housing for wear
- Functional inspection of all safety and monitoring devices
- Inspection of the switchgear/relays used
- Oil change



NOTE

If sealing chamber control is installed, the oil is changed according to the indicator!

15000 operating hours or after 10 years at the latest

- General overhaul

8.2.2. Intervals for harsh operating conditions

Under harsh operating conditions, the specified maintenance intervals must be shortened accordingly. In this case, please contact Wilo customer service. If using the pump under harsh conditions, we also recommend signing a maintenance contract.

Harsh operating conditions include:

- A large proportion of fibrous material or sand in the fluid
- Turbulent intake (e.g. due to air entry, cavitation)
- Strongly corrosive fluids
- Strongly gassing fluids
- Unfavorable duty points
- Operating states subject to water hammer

8.2.3. Recommended maintenance measures to ensure smooth operation

We recommend regular inspections of the current consumption and the operating voltage in all 3 phases. In normal operation, these values remain constant. Slight fluctuations may occur depending on the characteristics of the fluid. The current consumption can provide an early indication of damage and/or malfunctions in the impeller, bearings, and/or motor, which can be rectified. Large voltage fluctuations strain the motor winding and can cause the pump to break down. Regular inspections can therefore largely prevent major secondary damage and reduce the risk of total breakdown. We recommend the use of remote monitoring for regular inspections. Please contact Wilo customer service.

8.3. Maintenance work

Before carrying out maintenance work:

- Disconnect the pump from the power supply and secure it against being switched on inadvertently.
- Allow the pump to cool down and clean it thoroughly.
- Make sure that all the operationally relevant parts are in good condition.

8.3.1. Visual inspection of the power supply cable

The power supply cables must be checked for blisters, cracks, scratches, abrasion and/or crushing. If any damage is detected, the pump must be decommissioned immediately and the damaged power supply cable must be replaced.

The cables may only be replaced by Wilo customer service or an authorized or certified service workshop. The pump may only be started up again once the damage has been properly remedied.

8.3.2. Visual inspection of accessories

Accessories must be checked to ensure they are properly fitted and function correctly. Loose and/

or faulty accessories must be repaired or replaced immediately.

8.3.3. Visual inspection of coating and housing for wear

The coatings and housing parts must not show any signs of damage. If there is visible damage to the coatings, repair the coating accordingly. If there is visible damage to housing parts, contact Wilo customer service.

8.3.4. Functional inspection of safety and monitoring devices

Monitoring devices include the temperature sensors in the motor, humidity electrodes, overload relay, overvoltage relay, etc.

- Motor protection and overvoltage relays and other triggers can usually be triggered manually for test purposes.
- To check the pencil electrode or the temperature sensor, the pump has to be cooled to the ambient temperature and the electrical connection for the monitoring equipment has to be disconnected in the switchgear. The monitoring equipment can then be checked with an ohmmeter. The values measured should be as follows:
 - Bimetallic strip: Value = "0" passage
 - PTC thermistor sensor: A PTC thermistor sensor has a cold resistance of between 20 and 100 Ω . If there are 3 sensors in series, this results in a value of 60 to 300 Ω . If there are 4 sensors in series, this results in a value of 80 to 400 Ω .
 - Pencil electrode: This value must approach infinity. If the value is low, there is water in the oil. Also observe the instructions of the optional evaluation relay.

If there are relatively large deviations, consult the manufacturer.

8.3.5. Inspection of the switchgear/relays used

See the relevant installation and operating instructions for a description of the individual work steps for inspecting the switchgear/relays. Faulty devices must be replaced immediately as they provide no protection to the pump.

8.3.6. Oil change in sealing chamber

The sealing chamber has a hole for draining and filling the chamber.



WARNING: risk of injury from hot and/or pressurized oil!

After the pump is switched off, the oil is still hot and pressurized. This can cause the screw plug to be ejected and hot oil to escape. There is a risk of injury or burns! First allow the oil to cool down to ambient temperature.

Fig. 8.: Screw plugs

1	Screw plug
---	------------

1. Position the pump horizontally on a firm surface with the screw plug facing upward.
Make sure that the pump cannot fall over and/or slip.
2. Carefully and slowly unscrew the screw plug.
Attention: The oil may be pressurized! This can cause the screw to be ejected at speed.
3. Empty out oil by rotating the pump until the hole points downwards. Collect the oil in a suitable container and dispose of it in accordance with the requirements in the "Disposal" section.
4. Rotate the pump back until the hole is pointing upwards again.
5. Pour the new oil in through the hole for the screw plug. The oil should reach up to about 0.4 in (1 cm) below the hole. Note the recommended oils and filling quantities.
6. Clean the screw plug, replace the joint ring, and screw it back in.

8.3.7. General overhaul

In a general overhaul, in addition to the normal maintenance work, the motor bearings, shaft seals, O-rings, and power supply cables are checked and replaced if necessary. This work may be performed only by the manufacturer or an authorized service workshop.

9. Troubleshooting

In order to prevent damage or serious injury while rectifying pump faults, the following points must be observed:

- Only attempt to rectify a fault if you have qualified staff. This means that each job must be carried out by trained specialist staff. For example, electrical work must be performed by a trained electrician.
- Always secure the pump against an accidental restart by disconnecting it from the power supply. Take appropriate safety precautions.
- Always have a second person on hand to ensure the pump is switched off in an emergency.
- Secure moving parts to prevent injury.
- Unsanctioned changes to the pump are made at the operator's own risk and release the manufacturer from any warranty obligations.

Fault: the unit will not start

1. Electricity supply interrupted, short circuit or ground fault in the cable or motor windings
 - Have the motor and wires checked by a specialist and replaced if necessary

2. Fuses, the motor protection switch, and/or monitoring devices were triggered
 - Have a specialist inspect the connections and correct them as necessary.
 - Have the motor protection switches and fuses installed or adjusted according to the technical specifications; reset the monitoring equipment.
 - Check that the impeller runs freely. If necessary clean it and ensure it runs freely again
3. The sealing chamber control (optional) has interrupted the power circuit (depends on end user)
 - See Fault: mechanical seal leak, sealing chamber control reports a fault or switches the pump off

Fault: the unit starts, but the motor protection switch triggers shortly after startup

1. The thermal trigger on the motor protection switch is incorrectly set
 - Have a specialist compare the setting of the trigger with the technical specifications and correct it as necessary
2. Increased power consumption due to major voltage drop
 - Have an electrician check the voltage on each phase and rewire if necessary
3. Two-phase operation
 - Have a specialist inspect the connection and correct it as necessary
4. Excessive voltage differences on the three phases
 - Have a specialist inspect the connection and the switching system and correct as necessary
5. Incorrect direction of rotation
 - Swap two phases of the power supply
6. Impeller slowed by accumulation, clogging, and/or solid matter; increased current consumption
 - Switch off the pump, secure it against being switched back on again, and free the impeller or clear the suction port
7. The fluid is too dense
 - Consult the manufacturer

Fault: unit is running but not pumping

1. No fluid available
 - Open inlet for tank or slide valve
2. Inlet blocked
 - Clean the supply line, slide valve, suction piece, suction port, or suction strainer
3. Impeller blocked or slowed
 - Switch off pump, secure it against being switched back on again, and free the impeller
4. Faulty hose/piping
 - Replace faulty parts
5. Intermittent operation
 - Check switching system

Fault: the unit runs, but not within the specified operating parameters

1. Intake blocked
 - Clean the supply line, slide valve, suction piece, suction port, or suction strainer

2. Slide valve in the pressure pipe is closed
 - Open the slide valve completely
3. Impeller blocked or slowed
 - Switch off pump, secure it against being switched back on again, and free the impeller
4. Incorrect direction of rotation
 - Swap two phases of the power supply
5. Air in the system
 - Check the pipelines, pressure shroud, and/or hydraulics, and vent if necessary
6. Pump pumping against excessive pressure
 - Check the slide valve in the pressure pipe and open it completely if necessary; use a different impeller; consult the manufacturer
7. Signs of wear
 - Replace worn parts
8. Faulty hose/piping
 - Replace faulty parts
9. Inadmissible levels of gas in the fluid
 - Consult the manufacturer
10. Two-phase operation
 - Have a specialist inspect the connection and correct it as necessary
11. Excessive decrease in the water table during operation
 - Check the supply and capacity of the system, and inspect the level control settings and functionality

Fault: the unit does not run smoothly and is noisy

1. Pump is operating in an inadmissible range
 - Check the operational data of the pump and correct if necessary and/or adjust the operating conditions
2. Suction port, suction strainer, and/or impeller clogged
 - Clean the suction port, suction strainer, and/or impeller
3. Impeller stiff
 - Switch off pump, secure it against being switched back on again, and free the impeller
4. Inadmissible levels of gas in the fluid
 - Consult the manufacturer
5. Two-phase operation
 - Have a specialist inspect the connection and correct it as necessary
6. Incorrect direction of rotation
 - Swap two phases of the power supply
7. Signs of wear
 - Replace worn parts
8. Defective motor bearing
 - Consult the manufacturer
9. Pump is installed under tension
 - Check installation, use rubber expansion joints if necessary

Fault: mechanical seal leak, sealing chamber control reports a fault or switches the unit off

1. Condensation build-up due to extended storage and/or high temperature fluctuations
 - Operate the pump briefly (max. 5 min.) without pencil electrode
2. Increased leakage when running in new mechanical seals
 - Change the oil
3. Defective pencil electrode cable
 - Replace pencil electrode
4. Mechanical seal is defective
 - Replace the mechanical seal; consult the manufacturer!

Further steps for troubleshooting

If the points listed here do not rectify the fault, contact Wilo customer service, who can assist you further as follows:

- Telephone or written support from Wilo customer service
 - On-site support from Wilo customer service
 - Inspection or repair of the pump at the factory
- Please note that you may be charged for some services provided by our customer service. For more details, please contact Wilo customer service.

10. Appendix

10.1. Operation with variable frequency drives

Any standard motor can be used, subject to compliance with IEC 60034-17. If the rated voltage is above 415 V/50 Hz or 480 V/60 Hz, you must consult the manufacturer. Because of the additional heating caused by harmonics, the rated power of the motor should be around 10% more than the power requirement of the pump. For variable frequency drives with low harmonic output, it may be possible to reduce the 10% power buffer. This is normally done by using output filters. **Furthermore, the standard motors are not equipped with shielded cables.** The variable frequency drive and filter must be synchronized with each other. Ask the manufacturer.

The configuration of the variable frequency drive depends on the rated motor current. Make sure that the pump operates without jerking or vibrating, especially in the lower speed range. Otherwise, the mechanical shaft seals could be damaged and start leaking. Also consider the flow rate in the pipe. The slower the flow rate, the greater the risk of solids depositing in the pump and piping. **We therefore recommend a minimum flow rate of 2.3 ft/s (0.7 m/s) at a pumping pressure of 5.8 psi (0.4 bar).**

It is important that the pump operates across the entire control range without vibrations, resonance, oscillation, or excessive noise (consult the manufac-

turer if necessary). Increased motor noise caused by the harmonics of the power supply is normal.

When configuring the variable frequency drive, always make sure the quadratic curve (V/F curve) for pumps and fans is correctly set! This ensures that the output voltage at frequencies greater than the rated frequency (50 Hz or 60 Hz) is adjusted to the power requirement of the pump. Newer variable frequency drives feature an automatic power optimization function which achieves the same effect. To set the variable frequency drive, please refer to its installation and operating instructions.

Faults in motor monitoring may occur on motors fed by a variable frequency drive depending on the type of variable frequency drive used and the installation conditions present. The following general measures could help to reduce or avoid faults:

- Keep within the thresholds stated in IEC 60034-17 for the voltage peaks and rise rate (output filters may be necessary).
- Vary the pulse frequency of the variable frequency drive.
- In the case of faults with the sealing chamber monitor, use our external double rod electrode. The following construction measures could also help to reduce or prevent faults:
- Use shielded power supply cables.

Summary

- Continuous operation between 1 Hz and the rated frequency (50 Hz or 60 Hz), while observing the min. flow rate
- Consider additional measures with regard to EMC (choice of variable frequency drive, using filters, etc.).
- Never exceed the rated current or rated speed of the motor.
- It must be possible to connect the motor's own temperature monitor (bimetallic strip or PTC sensor).

10.2. Ex approval

This section contains special information for owners and operators of pumps which have been built and certified for use in environments where explosions may occur.

It expands on and therefore supplements the standard instructions for this pump. It also expands on and supplements the "general safety information" section and must be read and fully understood by all users and operators of the pump.

This section applies only to Ex-rated pumps and contains additional instructions for these pumps!

10.2.1. Identification of Ex-rated pumps

Pumps that have been approved for use in an explosive atmosphere are marked as follows on the rating plate:

- "Ex" symbol for the relevant approval
- Information on Ex classification

10.2.2. FM approval

The motors are certified and approved by the recognized testing and licensing authority "FM Approvals" according to standards FM 3600, 3615, 3615.80, and ANSI/UL-1004. The motors are approved for operation in potentially explosive areas that require electrical devices with the protection class "Explosionproof, Class 1, Division 1."

Operation is therefore also possible in areas with the required protection class "Explosionproof, Class 1, Division 2" according to the FM standards.

10.2.3. FM classification



Example of Ex marking:

CLASS I, DIV. 1, GROUPS C, D
CLASS II, DIV. 1, GROUPS E, F, G
CLASS III
TEMPERATURE CODE T3C

Meaning:

- Class 1=gases, fumes, mist
Division 1 = explosive atmosphere constantly or occasionally present under normal conditions
Groups C, D = gas groups: ethylene (C), propane (D)
- Class 2=dust
Division 1 = explosive atmosphere constantly or occasionally present under normal conditions
Groups E, F, G = dust groups: metal (E), carbon (F), grain (G)
- Class 3=fibers and lint
- T3C=max. surface temperature of the pump 320 °F (160 °C)

The specifications for the max. immersion depth and the max. temperature of the fluid are likewise noted on the rating plate.

"Explosion proof" protection class

Motors in this protection class must be equipped with a temperature limiter.

Non-immersed operation

The motor must always be immersed during operation!

10.2.4. Electrical connection



ELECTROCUTION hazard!

Incorrect electrical connections can cause fatal electric shocks and/or explosion. Electrical connections may only be carried out by a qualified electrician approved by the local energy supply company, in accordance with locally applicable regulations.

In addition to the information in the "Electrical connection" section, the following points must be observed for Ex-rated pumps:

- The power supply cable must be connected outside the potentially explosive area, or inside a housing with an approved level of ignition protection.

- Voltage tolerance: $\pm 10\%$
- All monitoring devices outside the “spark-proof areas” must be connected via an Ex cut-off relay. We recommend the XR-42x relay for this.

Temperature monitoring device connection

The motor is equipped with a temperature limiter (1-circuit temperature monitoring).

As an option, the motor can be fitted with a temperature controller and limiter (2-circuit temperature monitoring).



RISK of fatal injury due to incorrect connection! Risk of explosion due to overheating of the motor! The temperature monitoring device must be connected in such a way that, when triggered, a restart is possible only after the “release button” is pressed by hand.

In 2-circuit temperature monitoring, automatic restarting can be implemented via the temperature control. The maximum switching frequency (15/h with a 3-minute pause) must be observed.

- Bimetallic strips must be connected via an evaluation relay. We recommend the “CM-MSS” relay for this. The threshold is already preset. Connection values: max. 250 V(AC), 2.5 A, $\cos \varphi = 1$
- PTC sensors (optionally available and in accordance with DIN 44082) must be connected via an evaluation relay. We recommend the “CM-MSS” relay for this. The threshold is already preset. When the threshold is reached, the pump must switch off.

Motor compartment monitor

- The motor compartment monitor must be connected via an evaluation relay. We recommend the “NIV 101/A” relay for this. The threshold is 30 k Ω . When the threshold is reached, the pump must switch off.

Connection of sealing chamber control

- The pencil electrode must be connected via an evaluation relay. We recommend the “XR-42x” relay for this. The threshold is 30 k Ω .
- The connection must be made using an intrinsically safe electric circuit.

The following connection values must be complied with:

- Max. 30 Vrms (60 V peak)
- Max. 60 VDC
- Max. 0.5 mA

Operation on variable frequency drive

- Continuous operation up to rated frequency (50 Hz or 60 Hz), observing the min. flow rate
- Consider additional measures with regard to EMC (choice of variable frequency drive, using filters, etc.).

- Never exceed the rated current or rated speed of the motor.
- It must be possible to connect the motor’s own temperature monitor (bimetallic strip or PTC sensor).

10.2.5. Commissioning



RISK of fatal injury due to explosion! Pumps without Ex marking must not be used in potentially explosive areas! There is a risk of fatal injury due to explosion! Observe the following when using the pump in explosion hazard areas:

- The pump must be approved for use in potentially explosive areas!
- The power supply cable must be connected outside the potentially explosive area, or inside a housing with an approved level of ignition protection.
- Switchgear must be connected outside the potentially explosive area, or inside a housing with an approved level of ignition protection. Furthermore, it must be configured for operation of pumps with explosion approval.
- The mounted accessories must be approved for use on Ex pumps.



RISK of fatal injury due to explosion! The housing of the hydraulics must be fully flooded (completely filled with the fluid) during operation. If the housing is not immersed or there is air in the hydraulics, flying sparks may cause an explosion, for example due to static charge. Ensure that dry-running protection is in place for pump deactivation.

In addition to the information in the “Commissioning” section, note the following points for Ex-rated pumps:

- The end user is responsible for defining the potentially explosive area. Only pumps with Ex approval may be used within a potentially explosive area.
- Ex-rated pumps must be identified accordingly.
- To keep dry motors sufficiently cooled, after being removed from immersion, they must be flooded completely before being switched back on!

10.2.6. Maintenance and repair



ELECTROCUTION hazard! There is a risk of fatal electric shocks when performing work on electrical devices. With all maintenance or repair work, the pump must be disconnected from the power supply and secured against being switched on again without permission. Damage to the power supply cable may only be rectified by a qualified electrician.

In addition to the information in the “Maintenance and repair” section, note the following points for Ex-rated pumps:

- The maintenance and repair work described in this operating and maintenance manual must be carried out properly.
- Repairs and alterations to the construction which are not listed in this operating and maintenance manual or which may impair explosion protection may only be performed by the manufacturer or by service dealers certified by the manufacturer.
- The spark-proof gaps may only be repaired according to the manufacturer’s design specifications. These must not be repaired using standard gap dimensions.
- Only the screw plugs stipulated by the manufacturer, fulfilling at least a strength category of 600 N/mm², may be used.

Cable changes

Cable changes are strictly prohibited and may only be carried out by the manufacturer or by service centers certified by the manufacturer.

10.3. Spare parts

Spare parts can be ordered from Wilo customer service. To avoid return queries and incorrect orders, the serial and/or article number should always be supplied.

Subject to change without prior notice!



1.	Introduction	34	7.	Mise hors service/élimination	51
1.1.	A propos de ce document	34	7.1.	Mise hors service temporaire	51
1.2.	Qualification du personnel	34	7.2.	Mise hors service définitive pour les travaux de maintenance ou pour l'entreposage	51
1.3.	Droits d'auteur	34	7.3.	Démontage	51
1.4.	Réserve de modifications	34	7.4.	Renvoi de livraison/Entreposage	52
1.5.	Garantie	34	7.5.	Élimination	52
2.	Sécurité	35	8.	Maintenance	52
2.1.	Instructions et consignes de sécurité	35	8.1.	Matières consommables pour l'exploitation	53
2.2.	Consignes générales de sécurité	35	8.2.	Intervalles de maintenance	53
2.3.	Travaux électriques	36	8.3.	Travaux d'entretien	54
2.4.	Dispositifs de sécurité et de surveillance	36	9.	Recherche et élimination des pannes	55
2.5.	Comportement en cours de fonctionnement	36	10.	Annexe	56
2.6.	Fluides	37	10.1.	Fonctionnement avec convertisseur de fréquence	56
2.7.	Pression acoustique	37	10.2.	Homologation Ex	57
2.8.	Indication de conformité	37	10.3.	Pièces de rechange	59
3.	Description du produit	37			
3.1.	Utilisation conforme et domaines d'application	37			
3.2.	Structure	38			
3.3.	Fonctionnement en atmosphère explosible	39			
3.4.	Modes de fonctionnement	39			
3.5.	Caractéristiques techniques	39			
3.6.	Codes de types	40			
3.7.	Etendue de la fourniture	40			
3.8.	Accessoires	40			
4.	Transport et stockage	40			
4.1.	Livraison	40			
4.2.	Transport	41			
4.3.	Stockage	41			
4.4.	Renvoi	41			
5.	Installation	42			
5.1.	Généralités	42			
5.2.	Modes d'installation	42			
5.3.	Montage	42			
5.4.	Protection contre la marche à sec	45			
5.5.	Raccordement électrique	46			
5.6.	Protection moteur et types de mise en marche	48			
6.	Mise en service	48			
6.1.	Système électrique	49			
6.2.	Contrôle du sens de rotation	49			
6.3.	Pilotage du niveau	49			
6.4.	Exploitation dans des zones à risque d'explosion	49			
6.5.	Mise en service	49			
6.6.	Comportement en cours de fonctionnement	50			

1. Introduction

1.1. A propos de ce document

La langue de la notice de montage et de mise en service d'origine est l'allemand. Toutes les autres langues de la présente notice sont une traduction de la notice de montage et de mise en service d'origine.

La notice est divisée en différents chapitres (voir table des matières). Le titre de chaque chapitre décrit clairement le thème traité dans le chapitre en question.

Cette notice comprend une copie de la déclaration de conformité CEE.

Cette déclaration perdra toute validité en cas de modification technique des modèles mentionnés exécutée sans notre aval.

1.2. Qualification du personnel

Le personnel travaillant sur ou avec la pompe doit être qualifié pour cela ; exemple : toute opération exécutée sur les installations électriques est du ressort exclusif d'un électricien qualifié. Toutes les personnes intervenant sur le produit doivent être majeures.

En outre, les dispositions nationales en matière de prévention des accidents doivent être observées par le personnel opérateur et de maintenance.

Par ailleurs, il est nécessaire de s'assurer que le personnel a bien lu et compris les instructions contenues dans la présente notice de service et de maintenance. Le fabricant est tenu de commander une version de cette notice dans la langue correspondante le cas échéant.

Les personnes (enfants compris) présentant des capacités physiques, sensorielles ou mentales réduites ou bien manquant d'expérience et/ou de connaissances ne sont pas autorisées à exploiter cette pompe, à moins que des personnes qualifiées ne les instruisent sur l'utilisation de la pompe en se portant garantes de leur sécurité.

Il convient de surveiller les enfants pour s'assurer qu'ils ne jouent pas avec la pompe.

1.3. Droits d'auteur

Le fabricant jouit des droits de propriété intellectuelle sur cette notice de service et de maintenance. Cette notice est rédigée à l'attention du personnel de montage, service et maintenance. Elle contient des consignes et des dessins techniques dont toute reproduction complète ou partielle est interdite. Elle ne doit être ni diffusée ni utilisée à des fins destinées à la concurrence, ni être transmise à un tiers. Les figures utilisées peuvent différer du produit original et sont uniquement destinées à fournir un exemple de représentation de la pompe.

1.4. Réserve de modifications

Le constructeur est le seul habilité à procéder à des modifications techniques au niveau des installa-

tions et/ou des pièces de montage. Cette notice de service et de maintenance se rapporte à la pompe spécifiée sur la page de titre.

1.5. Garantie

D'une manière générale, les indications fournies dans les « Conditions générales de vente (CGV) » actuelles ont cours de validité quant à la garantie. Elles figurent sous : www.wilo.com/legal

Les points divergents doivent être consignés dans le contrat et être examinés en priorité.

1.5.1. Généralités

Le fabricant s'engage à réparer tout défaut sur les pompes qu'il vend si un ou plusieurs des points suivants si l'un ou plusieurs des cas suivants s'appliquent :

- Vice de qualité du matériau, de fabrication et/ou de construction.
- Les défauts ont été signalés par écrit au fabricant dans les délais stipulés dans la garantie.
- La pompe a été strictement utilisée dans les conditions d'utilisation conformes à son usage.
- Tous les dispositifs de surveillance sont raccordés et ont été contrôlés avant leur mise en service.

1.5.2. Durée de la garantie

La durée de la garantie est définie dans les « Conditions générales de vente (CGV) ».

Les points divergents doivent être consignés dans le contrat !

1.5.3. Pièces de rechange, extensions et transformations

Utiliser exclusivement les pièces détachées d'origine du fabricant pour les réparations, le remplacement, ainsi que les extensions et transformations. Les extensions et transformations à l'initiative de l'utilisateur ou l'utilisation de pièces détachées non originales peuvent provoquer de graves dommages sur la pompe et/ou des dommages corporels.

1.5.4. Entretien

Les opérations d'entretien et de révision prescrits doivent être effectués régulièrement. Ces travaux sont du ressort exclusif de personnes formées, qualifiées et autorisées.

1.5.5. Dommages sur le produit

Les dommages et les défaillances susceptibles de mettre la sécurité en cause doivent être éliminés aussitôt et dans les règles de l'art par un personnel formé pour ce faire. N'utiliser la pompe que si elle se trouve en parfait état technique.

Les réparations doivent être généralement confiées au service après-vente Wilo.

1.5.6. Exclusion de la garantie

Aucune garantie n'est accordée en cas de dommages sur la pompe si un ou plusieurs des points suivants s'appliquent :

- Dimensionnement insuffisant de la part du fabricant dû à des indications insuffisantes et/ou incorrectes de l'opérateur ou du client.
 - Non respect des instructions de sécurité et de travail conformément à ce manuel de service et d'entretien.
 - Utilisation non conforme à l'usage prévu.
 - Stockage et transport inappropriés.
 - Montage/démontage non conformes aux prescriptions.
 - Entretien insuffisant.
 - Réparation mal effectuée.
 - Fondation, ou travaux de construction insuffisants.
 - Influences chimiques, électrochimiques et électriques.
 - Usure
- La responsabilité du fabricant exclut toute responsabilité pour des dégâts survenant sur des personnes, dégâts matériels ou dommages sur la propriété.

2. Sécurité

Ce chapitre contient toutes les consignes de sécurité et instructions techniques générales. Vous trouverez également des consignes de sécurité et instructions techniques spécifiques dans les chapitres suivants. Durant les différentes phases de vie (montage, utilisation, entretien, transport, etc.) de la pompe, il convient de respecter toutes les consignes et instructions ! Il incombe à l'exploitant de s'assurer que l'ensemble du personnel respecte ces consignes et instructions.

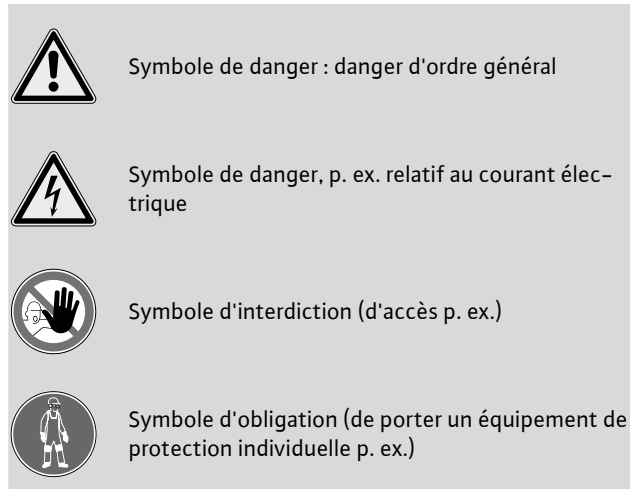
2.1. Instructions et consignes de sécurité

Cette notice contient des instructions et des consignes de sécurité concernant les dommages matériels et corporels. Les instructions et les consignes de sécurité se distinguent de la manière suivante afin de faciliter la tâche du personnel :

- Les instructions apparaissent en gras et se rapportent directement au texte ou à l'extrait précédent.
- Les consignes de sécurité apparaissent en gras et légèrement en retrait et commencent toujours par une mention d'avertissement.
 - **Danger**
Risque de blessures graves ou de mort !
 - **Avertissement**
Risque de blessures graves !
 - **Attention**
La situation présente un risque de blessures pour les personnes !
 - **Attention** (consigne sans symbole)
Risque d'importants dommages matériels ou de destruction totale !
- Les consignes de sécurité relatives aux dommages corporels sont indiquées en noir et toujours accompagnées d'un symbole de sécurité. Les symboles

de danger, d'interdiction ou d'obligation ont une fonction de symbole de sécurité.

Exemple :



Les symboles de sécurité sont conformes aux directives et réglementations générales de type DIN, ANSI p. ex.

- Les consignes de sécurité qui ne concernent que les dommages matériels sont représentées en gris et sans symbole de sécurité.

2.2. Consignes générales de sécurité

- Ne pas travailler seul lors du montage et du démontage de la pompe dans des puits. La présence d'une deuxième personne est obligatoire.
- Tous les travaux (montage, démontage, maintenance, installation) doivent uniquement être exécutés sur la pompe à l'arrêt. La pompe doit être débranchée et verrouillée contre toute remise en marche éventuelle. Toutes les pièces en rotation doivent être à l'arrêt.
- L'opérateur doit signaler immédiatement à son responsable toute panne ou toute irrégularité.
- Il est indispensable que l'opérateur arrête immédiatement la machine lorsque des défaillances entravant la sécurité se produisent. Ce sont :
 - Panne des dispositifs de sécurité et de surveillance.
 - Endommagement de pièces importantes
 - Endommagement des dispositifs électriques, des câbles et de l'isolation.
- Les outils et autres objets doivent être stockés aux endroits prévus à cet effet afin de garantir une manipulation sûre.
- Veiller en outre à ce que la ventilation soit suffisante dans des locaux fermés.
- S'assurer que tout risque d'explosion est écarté lors de travaux de soudage et/ou sur des appareils électriques.
- N'utiliser des accessoires d'élingage que s'ils sont expressément admis et homologués par les autorités légales.

- Les accessoires d'élingage doivent être adaptés aux conditions en présence (conditions atmosphériques, dispositif d'accrochage, charge, etc.) et conservés soigneusement.
- Les outils de travail mobiles permettant de lever des charges doivent être utilisés de sorte que la stabilité statique de l'équipement de travail soit assurée lors de son utilisation.
- Lorsqu'un équipement de travail mobile est utilisé pour le levage, prendre les mesures nécessaires pour éviter qu'il ne bascule, se déplace ou glisse.
- Prendre des mesures pour que personne ne puisse stationner sous une charge suspendue. De plus, il est interdit de déplacer des charges suspendues au-dessus d'emplacements sur lesquels se trouvent des personnes.
- Lorsque des équipements de travail mobiles sont utilisés pour lever des charges, une deuxième personne assurant la coordination doit être mise en place si nécessaire (p. ex. en cas de visibilité obstruée).
- Transporter la charge à lever de sorte que personne ne soit blessé en cas de panne d'alimentation. De plus, interrompre tout travail à l'air libre lorsque les conditions météorologiques se dégradent.

Ces consignes doivent être strictement respectées. Le non-respect de ces consignes peut entraîner des dommages corporels et/ou d'importants dommages matériels.

2.3. Travaux électriques



DANGER dû au courant électrique !
Il existe une menace de danger de mort en cas de manipulation inappropriée du courant lors de travaux électriques ! Ces travaux sont réservés exclusivement à un électricien spécialisé qualifié.

ATTENTION à l'humidité !
Le câble et la pompe sont endommagés si de l'humidité pénètre dans le câble. Ne jamais plonger l'extrémité du câble dans un liquide et la protéger contre l'infiltration d'humidité. Isoler les fils inutilisés !

Nos pompes fonctionnent sur courant alternatif ou triphasé. Respecter les directives, normes et prescriptions nationales en vigueur (p. ex. VDE 0100), ainsi que les directives du fournisseur d'énergie électrique local.

L'opérateur doit être informé sur l'alimentation en courant de la pompe et sur les possibilités de sa mise hors tension. Dans le cas des moteurs à courant triphasé, une protection thermique moteur doit être installée par le client. Il est recommandé de monter un disjoncteur différentiel (RCD). S'il est possible que des personnes entrent en contact avec la pompe et le fluide (p. ex. sur des chantiers) **il faut**

sécuriser également la connexion avec un disjoncteur différentiel (RCD).

Tenir compte du chapitre « Raccordement électrique » pour effectuer la connexion. Respecter strictement les indications techniques ! Nos pompes doivent toujours être mises à la terre.

Si la pompe a été désactivée par un organe de protection, ne la remettre sous tension que lorsque le défaut a été éliminé.

Respecter les prescriptions du fabricant du coffret de commande pour satisfaire aux exigences en matière de compatibilité électromagnétique (CEM) lorsque la pompe est raccordée à l'installation de commutation électrique, en particulier si des appareils électroniques tels que des commandes de démarrage en douceur ou des convertisseurs de fréquence sont utilisés. Des mesures de blindage spéciales seront éventuellement nécessaires pour les câbles d'alimentation en courant et les câbles de contrôle (p. ex. des câbles blindés, des filtres, etc.).

La connexion ne doit être effectuée que si les coffrets de commande sont conformes aux normes CE harmonisées. Des émetteurs mobiles peuvent provoquer des défaillances de l'installation.



AVERTISSEMENT contre le rayonnement électromagnétique.

Les personnes portant des stimulateurs cardiaques sont exposées à un danger de mort dû au rayonnement électromagnétique. Apposer les panneaux appropriés sur l'installation et avertir les personnes concernées !

2.4. Dispositifs de sécurité et de surveillance

Les pompes sont équipées d'un dispositif de surveillance thermique du bobinage et de l'étanchéité du moteur. La pompe est désactivée si le moteur devait trop chauffer en cours de fonctionnement, ou si du liquide devait pénétrer dans le moteur.

Ces équipements doivent être raccordés par un électricien professionnel et un contrôle de leur bon fonctionnement doit être effectué avant la mise en service.

Le personnel doit être au courant des équipements montés et de leur fonctionnement.

ATTENTION !

Ne pas utiliser la pompe si les équipements de surveillance ont été retirés, endommagés et/ou ne fonctionnent pas !

2.5. Comportement en cours de fonctionnement

Sur le site d'installation, respecter, lors du fonctionnement de la pompe, les lois et règlements relatifs à la sécurité sur l'emplacement de travail, la prévention des accidents et la manipulation des machines électriques. La répartition du travail

après du personnel doit être établie par l'opérateur dans l'intérêt d'un déroulement sûr du travail. La totalité du personnel est responsable du respect des prescriptions.

De par leur construction, les pompes centrifuges sont équipées de pièces en rotation librement accessibles. Des arêtes acérées peuvent se former sur ces pièces en cours de fonctionnement.



AVERTISSEMENT contre les écrasements et les coupures de membres !
Des arête acérées peuvent se former sur les pièces en rotation dans l'hydraulique. Elles peuvent provoquer un écrasement et des coupures des membres.

- Ne jamais introduire les mains dans l'hydraulique.
- Avant tous les travaux d'entretien ou de réparation, désactiver la pompe, la couper du secteur et la protéger contre une remise en marche non autorisée.
- Attendre l'immobilisation complète des pièces rotatives !

2.6. Fluides

Les fluides se distinguent les uns des autres par leur composition, corrosion, pouvoir abrasif, teneur en matières sèches et par bien d'autres aspects. De manière générale, nos pompes peuvent être utilisées dans de nombreux domaines. De nombreux paramètres de fonctionnement de la pompe peuvent varier suite à une modification des exigences (densité, viscosité ou composition générale).

Lors de l'utilisation et/ou de remplacement de la pompe avec un autre fluide, respecter les points suivants :

- De l'huile provenant de la chambre d'étanchéité peut pénétrer dans le fluide si la garniture mécanique est défectueuse.

Une utilisation dans de l'eau potable n'est pas autorisée !

- Les pompes exploitées dans des eaux sales doivent être soigneusement nettoyées avant d'être utilisées dans d'autres fluides.
- Les pompes exploitées dans des eaux usées contenant des matières fécales et/ou des fluides dangereux pour la santé doivent être décontaminées avant d'être utilisées dans d'autres fluides.

Contrôler la pompe afin de s'assurer de sa compatibilité à l'exploitation dans un autre fluide.

2.7. Pression acoustique

La pompe développe en fonction de sa taille et de sa puissance (kW) une pression acoustique d'env. 70 dB (A) à 90 dB (A) en cours de fonctionnement.

La pression acoustique réelle dépend en fait de plusieurs facteurs. Il peut s'agir p. ex. de la profondeur de montage, de l'installation, de la fixation des

accessoires et de la conduite, du point de fonctionnement, de la profondeur d'immersion etc.

Nous recommandons à l'exploitant de procéder à une mesure supplémentaire sur le lieu de travail, lorsque la pompe se trouve sur son point de fonctionnement et fonctionne dans toutes les conditions d'exploitation.



ATTENTION ! Porter une protection contre le bruit !

Conformément à la législation et aux prescriptions en vigueur, il est obligatoire de porter une protection auditive à partir d'une pression acoustique de 85 dB (A) ! L'exploitant doit y veiller !

2.8. Indication de conformité

Le produit a été conçu et fabriqué selon les directives européennes sur les produits lui étant applicables. Tous les produits mis en circulation sur le marché européen doivent satisfaire à ces directives. Ce produit répond ainsi aux exigences générales de sécurité et de protection sanitaire prescrites par le droit communautaire européen lui étant applicables ainsi qu'aux normes européennes et aux dispositions légales allemandes reconnues à l'échelle internationale.

La mise en circulation de ce produit dans l'Espace économique européen n'étant pas prévue, il ne porte pas le sigle CE.

Par conséquent, une mise en circulation dans l'Espace économique européen n'est pas autorisée.

3. Description du produit

La pompe a été fabriquée avec le plus grand soin et est soumise à un contrôle de qualité constant. Son parfait fonctionnement est assuré dans le cas d'une installation et d'un entretien corrects.

3.1. Utilisation conforme et domaines d'application



RISQUE dû au courant électrique

Lorsque la pompe est utilisée dans des bassins ou d'autres bassins résistant au passage de personnes, il existe un danger de mort dû au courant électrique. Respecter les points suivants :

- L'utilisation est strictement interdite si des personnes sont présentes dans le bassin.
- Si personne ne se trouve dans le bassin, prendre les mesures de protections conformes à DIN VDE 0100-702.46 (ou les prescriptions nationales correspondantes).



DANGER dû aux produits explosifs !
Le refoulement de produits explosifs (p..ex. l'essence, le kérosène, etc.) est strictement interdit. Les pompes ne sont pas conçues pour ces produits !

Les pompes submersibles Wilo-Rexa PRO... sont appropriées pour transporter les produits suivants en mode intermittent ou continu :

- Eaux usées et chargées
- Eaux chargées contenant des matières fécales
- Eaux chargées municipales et industrielles
- Boues d'une teneur en matière sèche de max. 8 % (en fonction du type)

dans l'assainissement des maisons et le drainage des parcelles, et dans les fosses et réservoirs.

Ne pas utiliser les pompes submersibles pour transporter les produits suivants :

- Eau potable
- Fluides contenant des éléments solides tels que des cailloux, du bois, du métal, du sable, etc.
- Produits aisément inflammables et explosifs sous leur forme pure

L'observation des consignes de la présente notice fait également partie de l'usage conforme. Tout autre usage est considéré comme non conforme.

3.2. Structure

Les pompes Wilo-Rexa sont des pompes submersibles pour eaux chargées immergées qui peuvent être exploitées verticalement en installation immergée stationnaire et transportable, et verticalement en installation à sec stationnaire.

Fig. 1 : Description

1	Câble	5	Corps de l'hydraulique
2	Poignée	6	Raccord d'aspiration
3	Carter de moteur	7	Raccordement
4	Corps d'étanchéité		

3.2.1. Hydraulique

Circuit hydraulique avec roue Vortex et connexion côté refoulement en tant que raccord à brides horizontal

L'hydraulique n'est pas auto-amorçante, c'est-à-dire que le fluide doit être transporté de manière autonome ou soumis à une pression d'alimentation.

3.2.2. Moteur

Il est possible d'utiliser des moteurs secs à courant alternatif ou triphasé. Le refroidissement est assuré par le fluide qui l'entoure. Le carter du moteur transmet directement la chaleur au fluide véhiculé.

Le moteur peut être remplacé en cours de fonctionnement.



REMARQUE

Lorsque le moteur est remplacé, tenir compte des informations « mode de fonctionnement non-immersé » et les respecter !

Pour les moteurs à courant alternatif, le condensateur de service est intégré dans un coffret de commande de condensateur externe dans le câble de raccordement.

Le câble de raccordement a une longueur de 40 ft (12,5 m), il est étanche à l'eau dans le sens longitudinal et disponible dans les exécutions suivantes :

- Câble avec fiche
- Extrémité de câble dénudée

3.2.3. Dispositifs de surveillance

• Surveillance du moteur :

La surveillance d'étanchéité signale une entrée d'eau dans le compartiment moteur.

• Surveillance thermique du moteur :

La surveillance thermique du moteur protège le bobinage du moteur de la surchauffe. Pour cela, des sondes bimétalliques sont utilisées par défaut. Les moteurs peuvent également être équipés de sondes CTP en option.

Il est aussi possible d'équiper le moteur d'une électrode d'étanchéité externe pour la surveillance de la chambre d'étanchéité. Elle signale une entrée d'eau dans la chambre d'étanchéité via la garniture mécanique côté fluide.

3.2.4. Étanchéité

Deux garnitures mécaniques assurent l'étanchéité côté fluide véhiculé et côté compartiment moteur. La chambre d'étanchéité entre les garnitures mécaniques est remplie d'huile blanche médicinale inoffensive sur le plan écologique.

3.2.5. Matériaux

- Carter de moteur : ASTM A48 Class 35/40B (EN-GJL-250)
- Corps de l'hydraulique : ASTM A48 Class 35/40B (EN-GJL-250)
- Roue : ASTM A48 Class 35/40B (EN-GJL-250)
- Extrémité d'arbre : AISI 420 (1.4021)
- Joints statiques : Nitrile (NBR)
- Étanchement
 - Côté pompe : SiC/SiC
 - Côté moteur : C/MgSiO4

3.2.6. Fiche montée

Une fiche à contact de protection est montée sur l'exécution « P », et une fiche CEE sur les moteurs à courant triphasé.

Ces fiches sont conçues pour une utilisation dans des prises à contact de protection conventionnels et CEE et sont protégées contre la submersion.

ATTENTION à l'humidité !

La fiche est endommagée si de l'humidité pénètre à l'intérieur. Ne jamais plonger l'extrémité de la fiche dans un liquide et la protéger contre l'infiltration d'humidité.

3.3. Fonctionnement en atmosphère explosible

Les pompes signalées pour atmosphère explosive conviennent à une utilisation en milieu explosif. Les pompes doivent répondre à certains critères précis afin de pouvoir être utilisées en milieu explosif. Certaines règles de comportement et les directives de l'exploitant doivent également être respectées.

Les pompes homologuées pour une exploitation en milieu explosif doivent être désignées de la manière suivante sur la plaque signalétique :

- Symbole « Ex »
- Indications relatives à la classification Ex.

Observer également les autres indications fournies en annexe de cette notice dans le cas d'une exploitation en milieu explosif.



RISQUE dû à une mauvaise utilisation !

La pompe doit posséder l'homologation appropriée pour une utilisation en atmosphère explosible. Les accessoires doivent être aussi homologués pour cette utilisation. Avant d'utiliser la pompe, vérifier si tous les accessoires présentent l'homologation conforme à la directive.

3.4. Modes de fonctionnement

3.4.1. Mode de fonctionnement S1 (fonctionnement continu)

La pompe peut fonctionner en continu sous charge nominale sans que la température max. autorisée ne soit dépassée.

3.4.2. Mode de fonctionnement S2 (service temporaire)

La durée de fonctionnement max. est indiquée en minutes, p. ex. S2-15. La pause doit durer aussi longtemps que la température de la machine diffère de plus de 2 K par rapport à la température du liquide de refroidissement.

3.4.3. Mode de fonctionnement S3 (service discontinu)

Ce mode d'exploitation décrit un rapport entre temps d'exploitation et temps d'arrêt. En mode S3, le calcul se rapporte toujours à un laps de temps de 10 minutes lorsqu'une valeur est saisie.

Exemples :

- S3 20 %
temps de fonctionnement 20 % de 10 min = 2 min / temps d'arrêt 80 % de 10 min = 8 min
- S3 3 min
temps de fonctionnement 3 min / temps d'arrêt 7 min
Si deux valeurs sont indiquées, elles sont à prendre consécutivement, p. ex. :
- S3 5 min/20 min
temps de fonctionnement 5 min / temps d'arrêt 15 min
- S3 25 min/20 min
temps de fonctionnement 5 min / temps d'arrêt 15 min

3.5. Caractéristiques techniques

Caractéristiques générales	
Alimentation réseau [U/f] :	Voir plaque signalétique
Puissance absorbée [P ₁] :	Voir plaque signalétique
Puissance nominale du moteur [P ₂] :	Voir plaque signalétique
Hauteur manométrique max. [H] :	Voir plaque signalétique
Débit max. [Q] :	Voir plaque signalétique
Type de branchement [AT] :	Voir la plaque signalétique
Température du fluide [t] :	37 à 104 °F (3 à 40 °C)
Classe de protection :	IP 68
Classe d'isolation [Cl.] :	F (en option H)
Vitesse de rotation [n] :	Voir plaque signalétique
Profondeur d'immersion max. :	66 ft (20 m)
Protection antidéflagrante :	FM
Modes de fonctionnement	
Immergé [OT _s] :	S1
Non-immersé [OT _e] :	S1*, S2 30min, S3 25%**
Fréquence d'enclenchement	
Conseillée :	20 /h
Maximale :	50 /h
Passage intégral	
PRO V05-... :	2.0 in (50 mm)
PRO V06-... :	2.5 in (65 mm)
PRO V08-... :	3.0 in (80 mm)
Raccord d'aspiration :	
PRO ...05-... :	DN 50/PN 10
PRO ...06-... :	DN 65/PN 10
PRO ...08-... :	DN 80/PN 10

Raccord de pression :	
PRO ...05-...:	ANSI B16.1 125lbs 2/Npt2
PRO ...06-... :	ANSI B16.1 125lbs 2.5/3
PRO ...08-... :	ANSI B16.1 125lbs 3

Un mode S1 en état non-immersé n'est **pas** possible avec tous les moteurs. Respecter à cet effet les indications fournies sur la plaque signalétique.

* Le mode de fonctionnement S3 50% est autorisé si, pour garantir le refroidissement nécessaire du moteur, ce dernier doit être entièrement noyé pendant au moins 1 minute avant la remise en marche ! Les caractéristiques techniques indiquées sont valables pour les pompes standard de la gamme PRO. **Les caractéristiques techniques de pompes librement configurées de la gamme PRO figurent dans la confirmation de contrat !**

3.6. Codes de types

Exemple : Wilo-Rexa PRO V06DA-110/EAD1F2-T0015-646-O	
PRO	Gamme
V	Forme de la roue V = roue Vortex C = roue monocanal
06	Gros raccordement 05 = ANSI B16.1 125lbs 2/Npt2 06 = ANSI B16.1 125lbs 2.5/3 08 = ANSI B16.1 125lbs 3
D	Exécution hydraulique D = côté aspiration percé selon DIN N = côté aspiration percé selon le North American Standard (ANSI)
A	Exécution de matériau « hydraulique » A = exécution standard Y = exécution spéciale
110	Détermination de l'hydraulique
E	Version du moteur E = Moteur à chambre sèche R = Moteur à chambre sèche basse consommation
A	Exécution de matériau « hydraulique » A = exécution standard Y = exécution spéciale
D	Exécution de l'étanchement D = 2 garnitures mécaniques indépendantes B = étanchéité de cassette
1	Classe énergétique IE, p. ex. : 1 = IE1 (conformément à la norme CEI 60034-30)
F	avec homologation Ex : X = ATEX F = FM C = CSA
2	Nombre de pôles
T	Exécution de l'alimentation réseau M = 1~ T = 3~

0015	/10 = puissance nominale P_2 en kW
6	Fréquence 5 = 50 Hz 6 = 60 Hz
46	Code pour la tension assignée
o	Équipement électrique supplémentaire O = avec extrémité libre du câble P = Avec fiche

3.7. Etendue de la fourniture

Article standard

- Pompe avec 40 ft (12,5 m) de câble
- Modèle à courant alternatif avec coffret de commande de condensateur et extrémité de câble dénudée
- Modèle triphasé avec
 - extrémité de câble dénudée
 - fiche CEE
- Notice de montage et de mise en service

Articles librement configurables

- Pompe avec longueur de câble conformément aux souhaits du client
- Modèle de câble
 - avec extrémité de câble dénudée
 - avec fiche
 - avec interrupteur à flotteur et extrémité de câble dénudée
 - avec interrupteur à flotteur et fiche
- Notice de montage et de mise en service

3.8. Accessoires

- Longueurs de câble jusqu'à 160 ft (50 m) à gradation fixe de 40 ft (12,5 m) ou longueurs de câble individuelles sur demande
- Dispositif d'accrochage
- Pied de pompe
- Electrode de boîtier d'étanchéité externe
- Commandes de niveau
- Accessoires de fixation et chaînes
- Coffrets de commande, relais et fiches
- Revêtement Ceram
- Surveillance thermique du moteur avec sondes CTP

4. Transport et stockage

4.1. Livraison

Après réception, vérifier immédiatement que le contenu de la livraison est intact et complet. Tout défaut éventuel doit être signalé le jour de la réception à l'entreprise de transport ou au fabricant. Dans le cas contraire, une réclamation n'obtiendra pas gain de cause. Les dommages éventuels doivent être stipulés sur le bordereau de livraison ou de transport !

4.2. Transport

Seuls les accessoires d'élingage, les dispositifs de transport et les instruments de levage autorisés et prévus à cet effet doivent être utilisés pour le transport. Ceux-ci doivent avoir une charge admissible suffisante pour que la pompe puisse être transportée sans risque. Si des chaînes sont utilisées, s'assurer qu'elles ne peuvent pas glisser.

Le personnel doit être qualifié pour l'exécution de ces travaux et respecter les dispositions de sécurité nationales en vigueur pendant les travaux.

Les pompes sont livrées par le fabricant ou par le sous-traitant dans un emballage approprié. Cet emballage permet normalement d'exclure tout endommagement pendant le transport et le stockage. Si le produit change fréquemment de lieu d'implantation, veuillez conserver l'emballage pour pouvoir le réutiliser.

4.3. Stockage

Les pompes neuves livrées sont conditionnées pour une durée de stockage d'un an maximum. La pompe doit être nettoyée minutieusement avant son entreposage provisoire.

Consignes d'entreposage :

- Poser la pompe sur un sol ferme et la protéger contre les chutes et les glissements. Les pompes submersibles pour eaux chargées doivent être stockées verticalement



RISQUE de chute
Ne jamais poser la pompe sans la fixer. Il existe un risque de blessures en cas de chute de la pompe.

- Nos pompes peuvent être stockées jusqu'à +5 °F (-15 °C) max. Le lieu de stockage doit être sec. Nous conseillons un stockage à l'abri du gel dans un local à une température entre 41 °F (5 °C) et 77 °F (25 °C).
- Il est interdit d'entreposer la pompe dans des locaux où sont effectués des travaux de soudage, ces travaux entraînent des émissions de gaz et des radiations qui peuvent attaquer les parties en élastomère et les revêtements.
- Les raccords de refoulement et de pression doivent être obturés pour éviter les salissures.
- Veiller à ce que les câbles électriques ne soient pas pliés, les protéger de toute détérioration et de l'humidité.



DANGER dû au courant électrique !
Des câbles d'alimentation électrique endommagés signifient un danger de mort ! Les câbles défectueux doivent être immédiatement remplacés par un électricien qualifié.

ATTENTION à l'humidité !

Le câble et la pompe sont endommagés si de l'humidité pénètre dans le câble. Ne jamais plonger l'extrémité du câble dans un liquide et la protéger contre l'infiltration d'humidité.

- Protéger la pompe contre les rayons directs du soleil, la chaleur et le gel. La chaleur ou le gel peuvent occasionner d'importants dommages au niveau des roues et des revêtements !
- Il convient de faire tourner les roues à intervalles réguliers. Ceci permet d'éviter le blocage des paliers et de renouveler le film lubrifiant de la garniture mécanique.



ATTENTION aux arêtes tranchantes !

Des arêtes tranchantes peuvent se former au niveau des roues et des ouvertures hydrauliques. Il existe un risque de blessures. Porter les équipements de protection corporelle appropriés, p. ex. des gants de protection.

- Nettoyer la pompe avant de la mettre en service après un stockage prolongé pour enlever les impuretés comme la poussière ou les dépôts d'huile. Vérifier la mobilité des roues, contrôler les revêtements du boîtier.

Avant la mise en service, contrôler le niveau dans la chambre d'étanchéité et faire l'appoint le cas échéant.

Les revêtements endommagés doivent être aussitôt remis en état. Seul un revêtement intact est en mesure de remplir sa fonction.

Considérer cependant que les parties en élastomère et les revêtements sont soumis à un phénomène de fragilisation naturelle. Nous conseillons un contrôle et un remplacement éventuel en cas d'entreposage supérieur à six mois. Consulter dans ce cas le fabricant.

4.4. Renvoi

Les pompes renvoyées à l'usine doivent être emballées correctement. Cela signifie que la pompe a été nettoyée des saletés et décontaminée, si elle a été utilisée dans des zones comportant des produits dangereux pour la santé.

Les pièces doivent être emballées dans des poches en plastique étanches, résistant aux déchirures et de dimensions suffisantes, et protégées contre les fuites. L'emballage doit en outre protéger la pompe des endommagements pendant le transport. Pour toute question, prière de s'adresser au fabricant.

5. Installation

Suivre les instructions suivantes pour éviter d'endommager le produit ou de subir des dommages corporels lors de l'installation :

- Seul un personnel qualifié est autorisé à exécuter les opérations d'implantation, de montage et d'installation de la pompe en observant les consignes de sécurité.
- S'assurer que la pompe n'a pas été endommagée pendant son transport avant de l'installer.

5.1. Généralités

La planification et l'exploitation d'installations d'évacuation des eaux résiduaires sont soumises aux réglementations et directives locales de la profession (p. ex. l'association professionnelle d'évacuation des eaux résiduaires).

En particulier dans le cas des types d'installations fixes, considérer que des coups de bélier peuvent survenir sur des tuyauteries de refoulement longues (en particulier sur les déclivités continues ou les terrains accidentés).

Les coups de bélier peuvent détruire la pompe/l'installation et les battements de clapet causer des nuisances sonores. Des mesures adéquates (p. ex. clapet de retenue avec temps de fermeture réglable, pose particulière de la conduite de refoulement etc.) permettent d'éviter ces phénomènes.

La pompe doit, après l'acheminement d'eau contenant du calcaire, de la glaise ou du ciment, être rincée à l'eau pure pour empêcher la formation de dépôts qui pourraient occasionner ultérieurement des pannes.

Concernant l'utilisation de commandes de niveau, veiller à respecter le recouvrement d'eau minimum. Aucune présence de poches d'air dans le corps hydraulique ou la tuyauterie ne peut être tolérée ; celles-ci doivent être éliminées grâce à des dispositifs de purge d'air et/ou en inclinant légèrement la pompe (dans le cas d'une installation mobile). Protéger la pompe contre le gel.

5.2. Modes d'installation

- Installation immergée fixe verticale avec dispositif d'accrochage.
- Installation immergée mobile verticale avec piétement rapporté.
- Installation à sec fixe verticale.

5.3. Montage



DANGER dû à une chute !

Lors du montage de la pompe et de ses accessoires, les travaux peuvent avoir lieu en bordure du bassin ou de la fosse. Un manque d'attention et/ou le port de vêtements inadéquats peut entraîner des chutes. Il s'agit d'un danger de mort. Pour éviter toute chute, prendre toutes les mesures de sécurité nécessaires.

Respecter les points suivants lors du montage de la pompe :

- Ces opérations sont du ressort du personnel qualifié, les opérations relatives à l'électricité étant du ressort exclusif d'un électricien professionnel.
- Le local d'exploitation doit être propre, exempt de matière solides grossières, sec et à l'abri du gel, éventuellement décontaminé et prévu pour la pompe en présence.
- La présence d'une deuxième personne est obligatoire en cas de travaux effectués dans des fosses. Prendre les contre-mesures appropriées en cas de risque de concentration de gaz toxiques ou asphyxiants.
- Les planificateurs de l'installation doivent déterminer la taille de la fosse et la durée de refroidissement du moteur en fonction des conditions ambiantes régnant en cours de fonctionnement.
- Il faut qu'il soit garanti qu'un instrument de levage puisse être monté sans difficulté, car il est nécessaire pour monter et démonter la pompe. L'emplacement d'exploitation et d'entreposage de la pompe doit être accessible sans difficulté avec l'instrument de levage. L'emplacement de travail doit présenter un sol ferme. Pour transporter la pompe, l'accessoire de levage doit être fixé sur les œillets de levage ou la poignée prescrits. Lorsque des chaînes sont utilisées, il faut qu'elles soient reliées à l'œillet de levage ou la poignée par une manille. Utiliser exclusivement des accessoires d'élingage autorisés sur le plan technique.
- Poser les câbles d'alimentation du courant de sorte qu'un fonctionnement exempt de risques et un montage/démontage sans problème soit possible à tout moment. Ne jamais porter ou tirer la pompe par le câble d'alimentation du courant. Contrôler la section de câble utilisée et le type de pose choisi, et si la longueur de câble disponible est suffisante.
- Si des coffrets de commande sont utilisés, s'assurer qu'ils présentent la classe de protection appropriée. En général, les coffrets de commande sont protégés contre la submersion et doivent être installés en dehors des secteurs à risque d'explosion.
- Dans le cas d'une exploitation en atmosphère explosible, s'assurer que la pompe et les accessoires complets sont autorisés pour ce domaine d'application.
- Les éléments de bâtiments et les fondations doivent présenter la résistance suffisante pour permettre une fixation sûre et adaptée au fonctionnement. L'opérateur ou le fournisseur respectif est responsable de la réalisation de la fondation et de ses propriétés sous forme de dimensions, de résistance et de portabilité.
- S'il faut sortir le carter de moteur hors du fluide en cours de fonctionnement, tenir compte du mode de fonctionnement pour fonctionnement non-immergé.

Pour que le refroidissement nécessaire soit obtenu sur les moteurs à sec en mode S3, il est

nécessaire de les purger complètement avant de les remettre en route après que le moteur a été émergé !

- Un fonctionnement à sec de la pompe est strictement interdit. Ne jamais passer en dessous du niveau d'eau minimum. Dans le cas de variations de niveau importantes, il est conseillé de monter un dispositif de pilotage du niveau ou une protection contre le fonctionnement à sec.
- Pour l'alimentation du fluide, utiliser des tôles de guidage et des déflecteurs. Lorsque le jet d'eau ren- contre la surface de l'eau, de l'air qui peut s'amasser dans le système de tuyauterie est apporté dans le fluide. Il peut en résulter des conditions de service inadmissibles et la mise hors circuit de l'installation complète.
- Contrôler si les documents de planification dispo- nibles (plans de montage, exécution du local d'ex- ploitation, conditions d'alimentation) sont complets et corrects.
- Respecter également toutes les prescriptions, règles et lois régissant le travail avec des charges lourdes et suspendues. Porter les protections corporelles appropriées.
- Respecter également les réglementations natio- nales en vigueur sur la prévention des accidents et les consignes de sécurité des associations profes- sionnelles.

5.3.1. Travaux d'entretien

Effectuer les travaux d'entretien suivants avant le montage à l'issue d'une période de stockage de plus de 6 mois :

- Faire tourner la roue.
- Contrôler le niveau d'huile dans la chambre d'étan- chéité.

Faire tourner la roue.

1. Poser la pompe sur un support horizontal résistant. **S'assurer que la pompe ne peut pas tomber et/ou glisser !**
2. Saisir la roue précautionneusement et lentement dans le carter hydraulique par le bas et la faire tourner.



ATTENTION aux arêtes tranchantes !
Des arêtes tranchantes peuvent se former au niveau des roues et de l'ouverture hydraulique. Il existe un risque de blessures. Porter les équipements de protection corporelle appropriés, p. ex. des gants de protection.

Contrôle du niveau d'huile de la chambre d'étan- chéité

La chambre d'étanchéité est dotée d'une ouverture permettant de vider et de remplir la chambre.

1. Poser la pompe sur une surface résistante de sorte que le bouchon fileté soit dirigé vers le haut.

S'assurer que la pompe ne peut pas tomber et/ou glisser !

2. Dévisser le bouchon fileté (cf. Fig. 8).
3. Les matières consommables doivent arriver à env. 0,4 in (1 cm) en dessous de l'ouverture du bouchon fileté.
4. Rectifier le niveau d'huile s'il est insuffisant dans la chambre d'étanchement. Pour ce faire, suivre les instructions fournies dans le chapitre « Mainte- nance », sous le point « Vidange d'huile ».
5. Nettoyer le bouchon fileté, le doter éventuellement d'un nouveau joint circulaire et le revisser,

5.3.2. Installation immergée stationnaire

Un système immergé requiert l'installation d'un dispositif d'accrochage. Celui-ci doit faire l'objet d'une commande distincte auprès du fabricant. Le système de conduites côté refoulement y est raccordé.

Le système de tuyauterie raccordé doit être auto- porteur, c.-à-d. qu'il ne doit pas prendre appui sur le dispositif d'accrochage.

Le local d'exploitation doit être conçu de manière que l'installation et l'exploitation du dispositif d'ac- crochage ne posent aucun problème.

Si le moteur doit être émergé en cours de fonction- nement, respecter strictement les paramètres de fonctionnement suivants :

- La **température du fluide et ambiante max.** est de **104 °F (40 °C)**.
- Indications relatives au « mode de fonctionnement non-immersé »

Fig. 2 : Installation immergée

1	Dispositif d'accrochage	6	Accessoire d'élingage
2	Clapet anti-retour	7a	Niveau d'eau min. pour fonctionnement im- mersé
3	Vanne d'arrêt	7b	Niveau d'eau min. pour fonctionnement émer- gé*
4	Coude	8	Défecteur de protection
5	Tube de guidage (à fournir par l'exploitant !)	9	Arrivée
A	Ecartements minimaux en marche parallèle		
B	Ecartements minimaux en marche alternée		

Cote d'écartement « A »	
DN 50	308 mm
DN 65	385 mm
DN 80	615 mm
DN 100	615 mm

Étapes de travail

1. Installation du dispositif d'accrochage, env. 3 à 6 h (cf. à cet effet la notice de montage et de mise en service du dispositif de relevage).
2. Préparation de la pompe pour fonctionner sur un dispositif d'accrochage : env. 1 à 3 h (cf. à cet effet la notice de montage et de mise en service du dispositif d'accrochage).
3. Installation de la pompe : env. 3 à 5 h
 - Vérifiez la stabilité et le bon fonctionnement du dispositif d'accrochage.
 - Fixer l'instrument de levage à la pompe avec des manilles, la lever et la faire descendre lentement sur les barres de guidage dans le local d'exploitation.
 - Maintenir les câbles d'alimentation légèrement tendus lors de la descente.
 - Une fois la pompe couplée au dispositif d'accrochage, fixer les câbles d'alimentation électrique de manière réglementaire pour les protéger de la chute et de l'endommagement.
 - Faire raccorder la pompe au secteur par un électricien
 - L'étanchéité du raccordement est assurée par son propre poids.
4. Installation des accessoires en option, comme la protection contre le fonctionnement à sec ou les pilotages du niveau.
5. Mise en service de la pompe : env. 2 à 4 h
 - Selon le chapitre « Mise en service ».
 - Dans le cas d'une nouvelle installation : Noyer le local d'exploitation.
 - Purger la conduite de refoulement.

5.3.3. Installation immergée transportable

Concernant ce type d'installation, la pompe doit être équipée d'un piétement rapporté (disponible en option). Celui-ci se monte sur la tubulure d'aspiration, garantit une garde au sol minimum et stabilise l'installation sur un sol ferme. Ce modèle permet un positionnement quelconque dans le local d'exploitation. Un support dur doit être utilisé dans les locaux d'exploitation à sols meubles afin d'empêcher un enfoncement de la machine. Raccorder un flexible côté refoulement.

Dans le cas de durées de fonctionnement prolongées dans ce type d'installation, il faut fixer la pompe au sol. Ceci empêche les vibrations, assure une exploitation sans perturbations et une usure réduite.

Si le moteur doit être émergé en cours de fonctionnement, respecter strictement les paramètres de fonctionnement suivants :

- La **température du fluide et ambiante max.** est de **104 °F (40 °C)**.
- Indications relatives au « mode de fonctionnement non-immérgé »

**ATTENTION à l'humidité !**

La température des éléments constitutifs du corps peut largement dépasser 104 °F (40 °C). Il existe un risque de brûlures ! Après la mise hors tension, laisser refroidir la pompe à la température ambiante.

Fig. 3 : Installation transportable

1	Accessoires de levage	5	Raccord express Storz
2	Piétement rapporté	6	Flexible de refoulement
3	Coude pour raccord de flexible ou raccord fixe Storz	7a	Niveau d'eau min. pour fonctionnement immergé
4	Raccord fixe Storz	7b	Niveau d'eau min. pour fonctionnement émergé

Étapes de travail

1. Préparation des pompes : env. 1 h
 - Monter le piétement rapporté sur le raccord d'aspiration.
 - Monter le coude sur le raccord de pression.
 - Fixez le flexible de refoulement au coude avec un collier.
Un raccord fixe Storz peut être aussi monté sur le coude et un raccord Storz sur le flexible de refoulement.
2. Installation des pompes : env. 1 à 2 h
 - Positionner la pompe sur le site d'exploitation. Fixer le cas échéant le système de levage à la poignée, lever la pompe et la poser sur le poste de travail (cuve, fosse).
 - La pompe doit être en position verticale et reposer sur un sol ferme. Tout enfoncement doit être empêché.
 - Raccorder le câble d'alimentation du courant de sorte qu'il ne puisse pas être endommagé.
 - Faire raccorder la pompe au secteur par un électricien
 - Poser le flexible de refoulement de manière qu'il ne puisse pas être endommagé et le fixer à un endroit donné (écoulement p. ex.).

**DANGER d'arrachement du flexible de refoulement !**

Risque de blessure en cas d'arrachement incontrôlé du flexible de refoulement. Le flexible de refoulement doit être sécurisé en conséquence. Évitez de plier le flexible de refoulement.

3. Mise en service de la pompe : env. 1 à 3 h
 - Selon le chapitre « Mise en service ».

5.3.4. Installation stationnaire à sec

Un local d'exploitation séparé est prévu pour ce mode d'installation : collecteur et espace ma-

chine. Le fluide est collecté dans le collecteur, la pompe est montée dans l'espace machine. Le local d'exploitation doit être équipé conformément au dimensionnement ou à l'assistant de planification du fabricant. La pompe est raccordée au système de tuyauterie côté aspiration et refoulement à l'endroit indiqué dans l'espace machine. La pompe elle-même n'est pas immergée dans le fluide.

Le système de tuyauterie raccordé côté aspiration et refoulement doit être autoporteur, c.-à-d. qu'il ne doit pas prendre appui sur la pompe. De plus, la pompe doit être raccordée au système de tuyauterie sans tension ni vibrations. Nous conseillons donc d'utiliser des pièces de refoulement élastiques (compensateurs).

Les paramètres de fonctionnement suivants doivent être respectés pour l'installation à sec :

- La **température du fluide et ambiante max.** est de **104 °F (40 °C)**.
- Indications relatives au « mode de fonctionnement non-immergé »

La pompe n'est pas auto-amorçante, il faut donc que le carter hydraulique soit complètement rempli de fluide. Le niveau minimum dans le collecteur doit être à la même hauteur que le bord supérieur du carter hydraulique !



ATTENTION à l'humidité !

La température des éléments constitutifs du corps peut largement dépasser 104 °F (40 °C). Il existe un risque de brûlures ! Après la mise hors tension, laisser refroidir la pompe à la température ambiante.

Fig. 4 : Installation stationnaire à sec

1	Collecteur	5	Compensateur
2	Espace machine	6	Pompe
3	Vanne d'arrêt	7	Niveau d'eau min.
4	Clapet anti-retour	8	Protection contre le fonctionnement à sec

Étapes de travail

1. Installation de la pompe : env. 3 à 5 h
 - Contrôler si le système de tuyauterie est bien fixé.
 - Fixer l'instrument de levage à la pompe avec des manilles, la lever et la faire descendre lentement sur le système de tuyauterie.
 - Prendre garde aux câbles d'alimentation du courant lors de la descente.
 - Lorsque la pompe repose sur la tuyauterie, la fixer au système de tuyauterie du côté aspiration et refoulement.
 - Poser les câbles d'alimentation du courant conformément aux prescriptions locales.
 - Faire raccorder la pompe au secteur par un électricien

2. Installation des accessoires en option, comme la protection contre le fonctionnement à sec ou les pilotages du niveau.
3. Mise en service de la pompe : env. 2 à 4 h
 - Selon le chapitre « Mise en service ».
 - Ouvrir le robinet du côté aspiration et refoulement.
 - Purger la conduite de refoulement.

5.3.5. Pilotage du niveau

Un pilotage du niveau permet de déterminer les niveaux de remplissage et d'activer et désactiver la pompe automatiquement. La saisie des niveaux de remplissage peut avoir lieu par le biais d'un interrupteur à flotteur, de mesures de la pression et par ultra-sons.

Les instructions suivantes sont à respecter :

- En cas d'utilisation d'interrupteurs à flotteur, veiller à ce que rien n'entrave leurs mouvements dans la pièce !
- Ne pas passer en dessous du niveau d'eau minimum !
- Ne pas dépasser la fréquence de commutation maximum !
- Dans le cas de niveaux de remplissage changeants, un pilotage du niveau doit intervenir généralement via deux points de mesure. Il est ainsi possible d'obtenir des différences de commutation plus importantes.

Installation

L'installation correcte du pilotage du niveau est décrite dans la notice de montage et de mise en service de la pompe du pilotage du niveau.

Tenir compte des indications relatives au nombre de démarrages max. et au niveau d'eau minimum !

5.4. Protection contre la marche à sec

Pour bénéficier du refroidissement requis, la pompe doit être immergée pendant son fonctionnement en fonction du mode de fonctionnement. En outre, empêcher impérativement toute pénétration d'air dans le corps de l'hydraulique.

La pompe doit donc toujours être immergée dans le fluide jusqu'au bord supérieur du corps de l'hydraulique ou, le cas échéant, du bord supérieur du carter de moteur. Pour une sécurité de fonctionnement optimale, il est par conséquent recommandé d'installer une protection contre la marche à sec.

Cette dernière est garantie grâce à des interrupteurs à flotteur ou des électrodes. L'interrupteur à flotteur/l'électrode est fixé(e) dans le puits, il/elle désactive la pompe quand l'eau est en-dessous du recouvrement d'eau minimum. S'il n'y a qu'un flotteur ou une électrode pour protéger de la marche à sec alors que les niveaux de remplissage varient fortement, le groupe risque de s'allumer et de s'éteindre constamment ! Un dépassement du nombre maximum de mises en marche (cycles de commutation) du moteur peut alors se produire.

5.4.1. Aide permettant d'éviter des cycles élevés de démarrage/d'arrêt

- Réinitialisation manuelle
Cette méthode permet de mettre hors tension le moteur dès que le niveau d'eau est inférieur au niveau minimum requis et il doit être remis manuellement sous tension une fois que le niveau d'eau est suffisant.
- Point de remise en marche séparé
Ce deuxième point de démarrage (flotteur ou électrode supplémentaire) permet de créer une différence suffisante entre le point d'arrêt et le point de mise en marche. Ce qui évite une mise en marche permanente. Cette fonction peut être réalisée au moyen d'un relais de pilotage du niveau.

5.5. Raccordement électrique



DANGER de mort dû au courant électrique !
En cas de raccordement électrique non conforme, il existe un danger de mort par choc électrique. Seul un électricien agréé par le fournisseur d'énergie et respectant les réglementations locales est autorisé à exécuter les raccordements électriques.



RISQUE dû à une mauvaise connexion !
Sur les pompes homologuées Ex, la connexion du câble d'alimentation du courant doit être effectuée en dehors du secteur à risque d'explosion ou à l'intérieur d'un corps présentant une classe de protection conforme ! Danger de mort dû à des explosions en cas de non respect !

- Faites toujours effectuer le raccordement par un électricien qualifié.
- Tenir aussi compte des informations fournies en annexe.

- L'intensité et la tension du réseau doivent parfaitement correspondre aux indications de la plaque signalétique.
- Poser et raccorder le câble d'alimentation électrique conformément aux normes/dispositions en vigueur et au schéma électrique.
- Les dispositifs de surveillance existants, p. ex. pour la surveillance thermique du moteur, doivent être raccordés, et leur fonctionnement contrôlé.
- Un champ magnétique tournant vers la droite doit être présent pour les moteurs triphasés.
- Mettre la pompe à la terre conformément aux prescriptions.
Les pompes installées doivent être mises à la terre conformément aux normes nationales en vigueur. En cas de raccord séparé pour conducteur de protection, ce dernier doit être raccordé au niveau du trou ou de la borne de terre indiqués (⊕) à l'aide d'une vis, d'un écrou, d'une rondelle crantée et d'une rondelle plate adaptés. Prévoir une section de

câble pour le raccord du conducteur de protection conformément aux réglementations locales.

- **Une protection thermique moteur doit être utilisée pour les moteurs à extrémité de câble dénudée.** L'utilisation d'un disjoncteur différentiel (RCD) est recommandée.
- L'exploitant doit se procurer des coffrets de commande en tant qu'accessoires.

5.5.1. Protection par fusible côté réseau

Le calibre de fusible nécessaire doit être mesuré en fonction du courant de démarrage. Le courant de démarrage est indiqué sur la plaque signalétique. Comme calibre de fusible, utiliser uniquement des fusibles inertes ou des coupe-circuits automatiques présentant la caractéristique K.

5.5.2. Contrôle de la résistance d'isolation et des dispositifs de surveillance avant la mise en service

Si les valeurs mesurées divergent des directives, de l'humidité a peut être pénétré dans le moteur ou le câble d'alimentation du courant, ou le dispositif de surveillance est défaillant. Ne pas raccorder la pompe et consulter le service après-vente Wilo.

Résistance d'isolation du bobinage moteur

Avant de raccorder le câble d'alimentation du courant, contrôler la résistance d'isolation. Elle peut être mesurée avec un testeur d'isolation (tension de mesure continue = 1000 V) :

- Première mise en service : La résistance d'isolation ne doit pas être inférieure à 20 MΩ.
- Pour les deux mesures : La valeur doit être supérieure à 2 MΩ.

Sur les moteurs dotés d'un condensateur intégré, mettre les bobinages en court-circuit avant le contrôle.

Sonde thermique et électrode-tige disponible en option pour la surveillance de la chambre d'étanchéité

Il faut les contrôler avec un ohmmètre avant de raccorder le dispositif de surveillance. Les valeurs suivantes doivent être respectées :

- Sonde bimétallique : Valeur égale à « 0 » : passage
- CTP/capteur thermistor Un capteur thermistor possède une résistance à froid située entre 20 et 100 Ohms.
Dans le cas de 3 capteurs en série, il en résulterait une valeur de 60 à 300 Ohms.
Dans le cas de 4 capteurs en série, il en résulterait une valeur de 80 à 400 Ohms.
- Electrode-tige : La valeur doit approcher l'infini. De l'eau est dans l'huile si les valeurs sont basses. Respecter également les indications du relais de contrôle disponible en option.

5.5.3. Moteur monophasé

Fig. 5 : Schéma de raccordement

L	Alimentation réseau	DK	Surveillance de l'étanchéité du compartiment moteur
N			
20	Sonde bimétallique	Cr	Condensateur permanent
21		PE	Terre

Le modèle à courant alternatif est équipé d'un coffret de commande de condensateur (condensateur de service) et d'extrémités de câble dénudées.

Le raccordement au secteur se fait par branchement sur l'armoire de commande.

Le raccordement électrique doit être effectué par un électricien qualifié !

Les fils sont affectés comme suit :

Câble de raccordement à 7 fils	
Numéro du fil	Borne
1	Surveillance de la température du bobinage
2	
3	L (U1/Z1)
4	N (U2)
5	Z2 - raccord pour le condensateur de service
6	Surveillance de l'étanchéité du compartiment moteur
vert/jaune (gn-ye)	Terre (PE)

Si la pompe est équipée d'une fiche, le raccordement au réseau de courant est réalisé en branchant la fiche dans la prise de courant.

5.5.4. Moteur triphasé

Fig. 6 : Schéma de raccordement avec sonde bimétallique

L1	Alimentation réseau	DK	Surveillance de l'étanchéité du compartiment moteur
L2			
L3	Terre	20	Sonde bimétallique
PE		21	

Fig. 7 : Schéma de raccordement avec sonde CTP

L1	Alimentation réseau	DK	Surveillance de l'étanchéité du compartiment moteur
L2			
L3	Terre	10	Capteur CTP (selon
PE		11	DIN 44082)

L'exécution triphasée est livrée avec des extrémités de câbles dénudées. Le raccordement au secteur se fait par branchement sur l'armoire de commande.

Le raccordement électrique doit être effectué par un électricien qualifié !

Les fils sont affectés comme suit :

Câble de raccordement à 7 fils	
Numéro du fil	Borne
1	Surveillance de la température du bobinage
2	
3	U
4	V
5	W
6	Surveillance de l'étanchéité du compartiment moteur
vert/jaune (gn-ye)	Terre (PE)

Si la pompe est équipée d'une fiche, le raccordement au réseau de courant est réalisé en branchant la fiche dans la prise de courant.

Les affectations de fils indiquées sont valables pour les pompes standard de la gamme PRO.

L'affectation des fils des pompes librement configurables de la série PRO est décrite dans le plan de branchement joint à cette notice !

5.5.5. Raccordement des dispositifs de surveillance



DANGER de mort dû à une explosion !

Si les dispositifs de surveillance ne sont pas raccordés correctement, un danger de mort existe par explosion à l'intérieur des zones Ex. Faire toujours effectuer le raccordement par un électricien qualifié. Lorsque la pompe est utilisée dans des zones Ex, les points suivants s'appliquent :

- Le dispositif de surveillance de la température doit être raccordé via un relais de contrôle ! Nous conseillons d'utiliser un relais « CM-MSS ». La valeur seuil y est déjà pré-réglée.
- L'arrêt dû à la limitation de température doit avoir lieu avec un dispositif de verrouillage de redémarrage ! C.-à-d. qu'un redémarrage ne doit être possible qu'une fois la « touche de déverrouillage » activée manuellement !
- L'électrode-tige permettant de surveiller la chambre d'étanchéité doit être raccordée avec un relais de contrôle via un circuit électrique à sécurité intrinsèque. Nous conseillons d'utiliser un relais « XR-42x ». La valeur seuil est de 30 kOhms.
- Tenir aussi compte des informations fournies en annexe.

Tous les dispositifs de surveillance doivent être raccordés.

Surveillance de la température du moteur

La pompe est équipée en standard d'un dispositif de limitation de la température (surveillance de la

température mono-circuit). Un arrêt doit avoir lieu lorsque la valeur seuil est atteinte.

Si un dispositif de régulation et de limitation de la température (surveillance de la température à 2 circuits, disponible en option) est présent, un « pré-avertissement » **peut** se produire avec la valeur inférieure et un « arrêt » **doit** avoir lieu avec la valeur supérieure.

- Des sondes bimétalliques peuvent être raccordées directement dans le coffret de commande dans le cas d'une utilisation **en dehors de zones protégées contre les explosions**.

Valeurs de raccordement : max. 250 V (CA), 2,5 A, $\cos \varphi = 1$

- Les capteurs CTP (disponibles en option/selon DIN 44082) doivent être raccordés par le biais d'un relais de contrôle. Nous conseillons d'utiliser un relais « CM-MSS ». La valeur seuil y est déjà pré-réglée. Les droits de garantie ne seront plus applicables en cas d'endommagements du bobinage causés par une surveillance de moteur non conforme.

Surveillance du compartiment du moteur :

- Le dispositif de surveillance du compartiment du moteur doit être raccordé via un relais de contrôle ! Nous conseillons d'utiliser pour ce faire le relais « NIV 101/A ». La valeur seuil est de 30 kOhms. Un arrêt doit avoir lieu lorsque la valeur seuil est atteinte.

Raccordement de l'électrode-tige disponible en option pour la surveillance de la chambre d'étanchéité

- L'électrode-tige peut être raccordée via le relais « NIV 101/A » dans le cas d'une utilisation **en dehors de zones protégées contre les explosions**. La valeur seuil est de 30 kOhms. Un avertissement ou un arrêt doit avoir lieu lorsque la valeur seuil est atteinte.

ATTENTION !

Si seul un avertissement se produit, l'infiltration d'eau peut détruire entièrement la pompe. Nous conseillons de procéder toujours à une coupure !

5.6. Protection moteur et types de mise en marche

5.6.1. Protection moteur

La protection minimale exigée pour les moteurs à extrémité de câble dénudée prévoit un relais thermique/disjoncteur moteur comprenant compensation de température, déclenchement de différentiel et blocage de remise en route, conformément aux consignes correspondantes du pays concerné.

Si la pompe est raccordée à un réseau électrique sujet à des pannes fréquentes, nous recommandons d'installer des dispositifs de sécurité supplémentaires (p. ex. relais de surtension, de sous-tension

ou de contrôle de phase, protection contre la foudre etc.). En outre, nous conseillons d'installer un disjoncteur différentiel (RCD).

Les dispositions locales et légales doivent être respectées lors du raccordement de la pompe.

5.6.2. Types de démarrage

Mise en marche directe

En pleine charge, la protection du moteur doit être réglée sur le courant de référence conformément à la plaque signalétique. En cas d'exploitation en charge partielle, nous recommandons de régler la protection du moteur sur une valeur de 5 % supérieure au courant mesuré au point de fonctionnement.

Mise en marche démarrage en douceur

- En pleine charge, la protection du moteur doit être réglée sur le courant de référence dans le point de fonctionnement. En cas d'exploitation en charge partielle, nous recommandons de régler la protection du moteur sur une valeur de 5 % supérieure au courant mesuré au point de fonctionnement.
- La consommation électrique doit être inférieure au courant nominal pendant toute la durée de fonctionnement.
- En raison de la protection moteur montée en amont, le démarrage et l'arrêt doivent être terminés en 30 s.
- Pour éviter les dissipations pendant le service, il convient de court-circuiter le démarreur électronique (démarrage en douceur) une fois le service normal atteint.

Pompes avec fiche

En pleine charge, la protection du moteur doit être réglée sur le courant de référence conformément à la plaque signalétique. En cas d'exploitation en charge partielle, nous recommandons de régler la protection du moteur sur une valeur de 5 % supérieure au courant mesuré au point de fonctionnement.

Les fiches ne sont pas protégées contre la submersion. Tenir compte des indications fournies sur la classe de protection (IP). La prise doit être installée de manière à être protégée contre la submersion.

5.6.3. Fonctionnement avec convertisseur de fréquence

Un fonctionnement sur convertisseur de fréquence est possible. Tenir aussi compte des informations fournies en annexe.

6. Mise en service

Le chapitre « Mise en service » contient toutes les informations dont le personnel opérateur a besoin pour une mise en service et une utilisation en toute sécurité de la pompe.

Il est indispensable de respecter et de contrôler les conditions marginales suivantes :

- Type d'installation
- Mode de fonctionnement
- Niveau min. d'eau/Profondeur d'immersion max.

Contrôler également ces conditions marginales à l'issue d'un arrêt prolongé afin d'éliminer les dommages constatés !

Cette notice doit toujours se trouver à proximité de la pompe ou dans un endroit prévu à cet effet et être accessible en permanence pour l'ensemble du personnel opérateur.

Observer impérativement les consignes suivantes afin d'éviter tout dommage matériel ou corporel à la mise en service de la pompe :

- La mise en service de la pompe est réservée à un personnel qualifié et formé respectant les instructions de sécurité.
- L'ensemble des membres du personnel effectuant des opérations sur la pompe ou travaillant avec celle-ci doit avoir reçu, lu et compris cette notice.
- Tous les dispositifs de sécurité et d'arrêt d'urgence sont raccordés et leur parfait état de fonctionnement a été contrôlé.
- Les réglages électrotechniques et mécaniques doivent être exécutés par du personnel qualifié.
- La pompe n'est conçue que pour une exploitation dans les conditions indiquées.
- La zone d'exploitation de la pompe n'est pas une zone dans laquelle les personnes peuvent séjourner. Veiller à ce qu'aucune personne ne se trouve dans cette zone. Lors de la mise en marche et/ou pendant le fonctionnement, personne ne doit se trouver dans la zone d'exploitation.
- En cas de travaux dans les fosses, une deuxième personne doit être présente. S'il existe un risque de formation de gaz toxiques, s'assurer que la ventilation est suffisante.

6.1. Système électrique

Le raccordement de la pompe et la pose des câbles d'alimentation électrique doivent être réalisés conformément au chapitre « Installation » et aux dispositions nationales en vigueur.

La protection par fusible et la mise à la terre de la pompe doivent être conformes aux prescriptions. Veiller à respecter le sens de rotation ! Si le sens de rotation est erroné, la pompe ne développe pas la puissance indiquée et peut subir des dommages. Tous les dispositifs de surveillance sont raccordés et leur fonctionnement a été contrôlé.



DANGER dû au courant électrique ! Une manipulation non conforme du courant présente un danger de mort ! Toutes les pompes à extrémités de câbles dénudées (sans fiche) livrées doivent être raccordées par un électricien professionnel qualifié.

6.2. Contrôle du sens de rotation

Le sens de rotation correct de la pompe a été contrôlé et réglé en usine. La connexion doit avoir lieu conformément aux indications fournies pour la désignation des fils.

Une marche d'essai doit être réalisée dans les conditions d'exploitation générales

6.2.1. Contrôle du sens de rotation

Un électricien local doit contrôler le sens de rotation avec un appareil de contrôle du champ magnétique. Un champ magnétique tournant à droite doit être présent pour que le sens de rotation soit correct.

La pompe n'est pas conçue pour fonctionner sur un champ magnétique tournant à gauche !

6.2.2. En cas de sens de rotation incorrect

Dans le cas d'un sens de rotation incorrect, 2 phases doivent être permutées pour les moteurs à démarrage direct, et les raccordements de deux enroulements dans le cas d'un démarrage étoile-triangle, U1 avec V1 et U2 avec V2 p. ex.

6.3. Pilotage du niveau

Le pilotage du niveau doit être contrôlé sur une installation en ordre de marche, les points de démarrage doivent être vérifiés. Les informations nécessaires figurent dans la notice de montage et de mise en service du pilotage du niveau et dans les documents de planification.

6.4. Exploitation dans des zones à risque d'explosion

La pompe peut être utilisée à l'intérieur de zones explosibles si la pompe est identifiée pour ce faire.



DANGER de mort dû à une explosion ! Les pompes sans désignation « Ex » ne doivent pas être utilisées dans des zones à risque d'explosion ! Danger de mort par explosion ! Avant de l'utiliser, vérifier si la pompe possède l'homologation correspondante :

- Symbole Ex
- Classification Ex, p. ex. II 2G Ex d IIB T4
- Tenir aussi compte des informations fournies en annexe.

6.5. Mise en service

Le montage doit être effectué correctement, conformément au chapitre « Installation ». Le contrôler avant la mise sous tension.

Si, à la livraison, la garniture mécanique présente de petites fuites d'huile, cela n'a rien d'inquiétant, la débarrasser cependant des résidus huileux avant de procéder à la descente ou à l'immersion dans le fluide.

Il est interdit de séjourner dans la zone de travail de la pompe ! Lors de la mise en marche et/ou pendant le fonctionnement, personne ne doit se trouver dans la zone d'exploitation.

Les pompes qui sont tombées doivent être mises hors tension avant de les remettre en place.



AVERTISSEMENT contre le risque d'écrasements !

Les pompes mobiles peuvent tomber en panne à la mise en service et/ou pendant le service. S'assurer que la pompe repose sur un sol ferme et que le montage du support de pompe est correct.

Tenir compte de la classe de protection IP de la fiche dans le cas d'une exécution avec fiche.

6.5.1. Avant la mise en marche

- Les points suivants sont à respecter :
 - Guide-câbles – absence de boucles, câbles légèrement tendus
 - Température min./max. du fluide
 - Profondeur d'immersion max.
 - Nettoyer le système de tuyauterie côté refoulement (tuyau flexible, système de tuyaux) à l'eau claire avant utilisation afin qu'aucun dépôt ne provoque des engorgements.
 - Le carter hydraulique doit être complètement rempli de fluide et ne doit pas contenir d'air. La purge peut s'effectuer par les dispositifs de purge appropriés de l'installation ou, si la machine en est équipée, les vis de purge de la tubulure de refoulement.
 - Contrôle des points de démarrage des pilotages du niveau ou de la protection contre le fonctionnement à sec existants.
 - Contrôle de la fixation ferme et correcte des accessoires.
- Contrôler également les points suivants dans le cas d'une installation immergée :
 - Nettoyer le bassin tampon des impuretés grossières.
 - Ouvrir tous les robinets du côté refoulement.
- Contrôler également les points suivants dans le cas d'une installation à sec :
 - Nettoyer le système de tuyauterie côté aspiration à l'eau claire afin qu'aucun dépôt ne provoque des engorgements.
 - Ouvrir tous les robinets du côté refoulement et aspiration.

Si, pendant l'exploitation, les robinets sont fermés côté aspiration et refoulement, le fluide est chauffé avec le corps hydraulique par le mouvement de refoulement. Cet échauffement entraîne l'établissement d'une pression forte dans le corps hydraulique. La pression peut être à l'origine de l'explosion de la pompe ! Avant la mise en marche, vérifier si tous les robinets sont ouverts et les ouvrir le cas échéant.

6.5.2. Mise sous/hors tension

La pompe est activée et désactivée via un poste de commande (interrupteur de marche/arrêt, coffret de commande) séparé, que l'exploitant doit fournir.

Le courant nominal est dépassé brièvement Lors du démarrage. Lorsque le démarrage est terminé, le courant nominal ne doit plus être dépassé.

Si le moteur ne démarre pas, ce dernier doit être aussitôt mis hors tension. Avant la remise en marche, observer d'une part les pauses de commutation, et d'autre part éliminer auparavant le dérangement.

6.6. Comportement en cours de fonctionnement

Sur le site d'installation, respecter, lors du fonctionnement de la pompe, les lois et règlements relatifs à la sécurité sur l'emplacement de travail, la prévention des accidents et la manipulation des machines électriques. La répartition du travail auprès du personnel doit être établie par l'opérateur dans l'intérêt d'un déroulement sûr du travail. La totalité du personnel est responsable du respect des prescriptions.

De par leur construction, les pompes centrifuges sont équipées de pièces en rotation librement accessibles. Des arêtes acérées peuvent se former sur ces pièces en cours de fonctionnement.



AVERTISSEMENT contre les écrasements et les coupures de membres !

Des arête acérées peuvent se former sur les pièces en rotation dans l'hydraulique. Elles peuvent provoquer un écrasement et des coupures des membres. Ne jamais introduire les mains dans l'hydraulique.

Les points suivants doivent être contrôlés à intervalles réguliers :

- Tension de service (écart autorisé de +/- 5 % par rapport à la tension de mesure)
- Fréquence (écart autorisé de +/- 2 % par rapport à la fréquence de mesure)
- Courant absorbé (écart autorisé entre les phases de 5 % max.)
- Différence de tension entre les différentes phases (max. 1 %)
- Pausés et fréquence de mise en marche/arrêt (voir les caractéristiques techniques)
- Arrivée d'air à l'alimentation, un déflecteur doit être installé si besoin
- Niveau minimal d'eau
- Points de démarrage du pilotage du niveau, protection contre la marche à sec
- Fonctionnement régulier
- Tous les robinets doivent être ouverts.

Si, pendant l'exploitation, les robinets sont fermés côté aspiration et refoulement, le fluide est chauffé avec le corps hydraulique par le mouvement de refoulement. Cet échauffement entraîne l'établissement d'une pression forte dans le corps

hydraulique. La pression peut être à l'origine de l'explosion de la pompe ! S'assurer que tous les robinets sont ouverts pendant le fonctionnement.

7. Mise hors service/élimination

- Toutes les opérations sont à exécuter avec le plus grand soin.
- Les opérateurs doivent porter les tenues de protection appropriées.
- En cas de travaux dans des bassins et/ou des réservoirs, respecter impérativement les mesures de protection en vigueur sur le site. Une deuxième personne doit être présente pour garantir la sécurité.
- Pour lever et baisser la pompe, utiliser des dispositifs de levage en parfait état technique et des équipements de suspension de charges homologués par les autorités.



DANGER de mort dû à un dysfonctionnement ! Les accessoires de levage et les instruments de levage doivent être en parfait état technique. Ne commencer les travaux que si les instruments de levage sont techniquement en ordre. Il existe un danger de mort si ces contrôles ne sont pas réalisés !

7.1. Mise hors service temporaire

Dans le cas de ce type d'arrêt, la pompe n'est pas démontée et n'est pas coupée du réseau électrique. En outre, la pompe doit rester complètement immergée afin d'être protégée du gel et de la glace. L'exploitant doit s'assurer que la température du local d'exploitation et du fluide ne tombe pas sous +37 °F (+3 °C).

La pompe est ainsi à tout moment opérationnelle. En cas d'arrêt prolongé, il est conseillé de faire fonctionner la pompe à intervalles réguliers (de une fois par mois à une fois par trimestre) et pendant 5 minutes.

ATTENTION !
Un tel fonctionnement test peut avoir lieu uniquement dans le respect des conditions de service et d'utilisation en vigueur. Le fonctionnement à sec est interdit. Tout non-respect de ces conditions peut provoquer une destruction totale !

7.2. Mise hors service définitive pour les travaux de maintenance ou pour l'entreposage

Arrêter l'installation et charger un électricien professionnel de couper la pompe du secteur et de la prévenir contre toute remise en service non autorisée. Débrancher les fiches des pompes (ne pas tirer sur les câbles !). Il est alors possible de

commencer les travaux de démontage, d'entretien et de stockage.



DANGER dû à des substances toxiques ! Les pompes qui transportent des fluides toxiques doivent être décontaminées avant toute autre opération ! Il existe sinon un risque de danger de mort ! Pour ce faire, porter les tenues de protection nécessaires !



ATTENTION aux brûlures ! La température des éléments constitutifs du corps peut largement dépasser 104 °F (40 °C). Il existe un risque de brûlures ! Après la mise hors tension, laisser refroidir la pompe à la température ambiante.

7.3. Démontage

7.3.1. Installation immergée transportable

Dans le cas de l'installation immergée transportable, la pompe peut être soulevée hors de la fosse après avoir été coupée du secteur et lorsque la conduite de refoulement a été vidée. Le cas échéant, il faudra tout d'abord démonter le tuyau flexible. Il faudra éventuellement utiliser une potence de levage appropriée.

7.3.2. Installation immergée stationnaire

Dans le cas d'une installation immergée avec dispositif d'accrochage, la pompe est soulevée hors de la fosse au moyen du dispositif d'accrochage approprié. Lors de la levée, maintenir toujours le câble d'alimentation du courant légèrement tendu pour éviter de le détériorer.

Le local d'exploitation ne doit pas être vidé spécialement pour ce faire. Tous les robinets côté refoulement et aspiration doivent être fermés pour éviter un débordement du local d'exploitation ou une purge de la conduite de refoulement.

7.3.3. Installation stationnaire à sec

Dans le cas de l'installation à sec, les robinets côté aspiration et refoulement doivent être fermés avant le démontage. Lors du démontage, tenir compte du fait que le fluide contenu dans le corps hydraulique s'écoule lors du démontage. Placer des collecteurs afin de récupérer complètement les volumes écoulés.

Lorsque les raccords vissés ont été desserrés côté aspiration et refoulement, la pompe peut être démontée avec un instrument de levage approprié. Le local d'exploitation doit être nettoyé soigneusement après le démontage et les petites quantités récupérées.

7.4. Renvoi de livraison/Entreposage

Les pièces doivent être emballées dans des poches en plastique étanches, résistant aux déchirures et de dimensions suffisantes, et protégées contre les fuites.

Pour le renvoi et le stockage, considérer également le chapitre « Transport et stockage » !

7.5. Élimination

7.5.1. Matières consommables pour l'exploitation

Les huiles et lubrifiants doivent être collectés dans des réservoirs adaptés et éliminés dans le respect des directives locales.

7.5.2. Vêtements de protection

Les vêtements de protection portés lors du nettoyage et de la maintenance doivent être éliminés dans le respect des directives locales.

7.5.3. Produit

Une élimination réglementaire de ce produit préviendra toute pollution de l'environnement et toute atteinte à la santé.

- Contacter les agences privées ou publiques de traitement de déchets pour éliminer le produit ou ses composants.
- Pour de plus amples informations sur une élimination conforme, prendre contact avec la municipalité, les instances municipales d'élimination des déchets ou le lieu d'acquisition du produit.

8. Maintenance



DANGER de mort dû au courant électrique !
Lors des travaux sur les appareils électriques, il existe un danger de mort par électrocution. Pour tous les travaux d'entretien et de réparation, il faut couper la pompe du secteur et la protéger contre toute remise en marche intempestive. De manière générale, seul un électricien spécialisé qualifié est habilité à réparer les câbles d'alimentation du courant endommagés.



DANGER de mort dû à des travaux non autorisés !
Les travaux d'entretien et de réparation qui influencent négativement la sécurité de la protection Ex sont du ressort exclusif du fabricant ou d'ateliers de SAV autorisés.
Tenir aussi compte des informations fournies en annexe.

- Avant toute opération d'entretien ou de réparation, arrêter et démonter la pompe en suivant les instructions du chapitre « Mise hors service/Élimination ».

- Une fois les opérations d'entretien et de réparation terminées, remonter et raccorder le produit en suivant les instructions du chapitre « Installation ».
 - Mettre la pompe en marche en suivant les instructions du chapitre « Mise en service ».
Respecter les points suivants :
 - Seuls des ateliers de SAV agréés, le SAV de Wilo ou du personnel qualifié sont habilités à exécuter des travaux d'entretien et de réparation en y apportant le plus grand soin. Les opérateurs doivent porter les tenues de protection appropriées.
 - Cette notice doit être mise à la disposition du personnel de maintenance et respectée. Il est interdit d'effectuer des travaux autres que les travaux et opérations de maintenance mentionnés.
- Des travaux complémentaires et/ou des modifications constructives sont réservés au service après-vente Wilo !**

- En cas de travaux dans des bassins et/ou des réservoirs, respecter impérativement les mesures de protection en vigueur sur le site. Une deuxième personne doit être présente pour garantir la sécurité.
- Pour lever et baisser la pompe, utiliser des dispositifs de levage en parfait état technique et des équipements de suspension de charges homologués par les autorités. S'assurer que la pompe ne se bloque pas lors du levage et de la descente. Si la pompe devait toutefois se bloquer, il ne faut pas que des forces de levage supérieures à 1-2 fois le poids de la pompe soient générées. La charge admissible autorisée ne doit jamais être dépassée !

S'assurer que les accessoires d'élingage, câbles et dispositifs de sécurité des systèmes de levage sont en parfait état de marche. Ne commencer les travaux que si les instruments de levage sont techniquement en ordre. Il existe un danger de mort si ces contrôles ne sont pas réalisés !

- Seul un électricien est habilité à exécuter des opérations sur les circuits électriques de la pompe et de l'installation. Les fusibles défectueux doivent être remplacés. Il est formellement interdit de les réparer. Seuls des fusibles du type et de l'intensité prescrits sont autorisés.
- En cas d'utilisation de solvants et de nettoyants très inflammables, il est interdit de fumer ou d'exposer le matériel à une flamme nue ou à des rayons de lumière directe.
- Les pompes véhiculant ou étant en contact avec des produits toxiques doivent être décontaminées. S'assurer aussi que des gaz toxiques ne se forment pas ou sont pas présents.

Dans le cas de blessures dues à des fluides ou des gaz toxiques, administrer les premiers secours conformément aux indications affichées dans l'atelier de travail et consulter immédiatement un médecin !

- Veiller à ce que les outils et matériaux nécessaires soient disponibles. L'ordre et la propreté sont des conditions de sécurité et de qualité des travaux effectués sur la pompe. Une fois les travaux achevés, retirer le matériel de nettoyage usagé et les outils de la pompe. Entreposer tout le matériel et les outils à l'endroit prévu à cet effet.
- Collecter les matières consommables dans des récipients appropriés et les éliminer conformément aux prescriptions. Lors des travaux de nettoyage et de maintenance, porter une tenue de protection appropriée. Elle doit être ensuite aussi éliminée conformément aux prescriptions.

8.1. Matières consommables pour l'exploitation

8.1.1. Aperçu des huiles blanches

Une huile blanche, potentiellement biologiquement dégradable est remplie dans la chambre d'étanchéité.

Nous conseillons l'emploi des huiles suivantes dans le cas d'une vidange :

- Aral Autin PL*
 - Shell ONDINA 919
 - Esso MARCOL 52* bzw. 82*
 - BP WHITEMORE WOM 14*
 - Texaco Pharmaceutical 30* ou 40*
- Toutes les sortes d'huiles accompagnées d'un * possèdent une homologation pour produits alimentaires selon « USDA-H1 ».

Quantités de remplissage

Les quantités de remplissage dépendent du moteur :

- P 13.1: 30 oz (900 ml)
- P 13.2 : 50 oz (1500 ml)
- P 17: 61 oz (1800 ml)

8.1.2. Aperçu des graisses

La graisse suivante peut être utilisée comme graisse selon DIN 51818/NLGI classe 3 :

- Esso Unirex N3

8.2. Intervalles de maintenance

Pour garantir un fonctionnement sûr, différents travaux de maintenance doivent être réalisés à intervalles réguliers.

Les travaux de maintenance doivent être déterminés en fonction de l'utilisation de la pompe. Indépendamment des intervalles de maintenance déterminés, il est nécessaire de contrôler la pompe ou l'installation si de fortes vibrations se produisent en cours de fonctionnement.

En cas d'utilisation dans des stations de relevage pour eaux chargées à l'intérieur de bâtiments ou de propriétés, les travaux et les intervalles de maintenance prescrits par les directives locales doivent être respectés. Veuillez vérifier ces exigences sur place !

8.2.1. Intervalles dans des conditions de fonctionnement normales

2 ans

- Contrôle visuel du câble d'alimentation du courant
- Contrôle visuel des accessoires
- Contrôle visuel de l'usure du revêtement et du corps
- Contrôle de fonctionnement de tous les dispositifs de sécurité et de surveillance
- Contrôle des coffrets de commande/relais
- Vidange d'huile



REMARQUE

Si un dispositif de surveillance de la chambre d'étanchéité est monté, la vidange d'huile a lieu en fonction de l'indicateur !

Toutes les 15 000 heures de service ou au bout de 10 ans au plus tard

- Révision générale

8.2.2. Intervalles dans des conditions de fonctionnement difficiles

Dans le cas de conditions de fonctionnement difficiles, raccourcir les intervalles de maintenance en conséquence. S'adresser dans ce cas au service après-vente Wilo. Lorsque la pompe est utilisée dans des conditions difficiles, nous conseillons également de conclure un contrat de maintenance.

Des conditions de fonctionnement difficiles sont présentes dans les cas suivants :

- pourcentage élevé de matières fibreuses ou de sable présent dans le fluide.
- alimentation turbulente (p. ex. due à l'alimentation en air, une cavitation).
- produits très corrosifs.
- produits très gazeux.
- points de fonctionnement défavorables.
- états de fonctionnement présentant un risque de coups de bélier.

8.2.3. Mesures de maintenance conseillées pour garantir un fonctionnement parfait

Nous conseillons de contrôler régulièrement la consommation de courant et la tension de service sur les 3 phases. Ces valeurs restent constantes en service normal. De légères variations peuvent apparaître en fonction du fluide véhiculé. Le contrôle de la consommation de courant révèle à temps dégâts et/ou dysfonctionnements de la roue, des paliers et/ou du moteur et permet d'y remédier. Les importantes fluctuations de tension exposent le bobinage du moteur à une contrainte et peuvent provoquer une panne de la pompe. Un contrôle régulier permet ainsi d'écarter largement les risques de dommages consécutifs plus importants et de réduire le risque d'une panne générale. Nous conseillons l'utilisation de la télésurveillance pour les contrôles réguliers. Dans ce cas, prière de contacter le service après-vente Wilo.

8.3. Travaux d'entretien

Avant d'effectuer des travaux d'entretien :

- Couper la tension sur la pompe et la verrouiller pour empêcher une remise sous tension.
- Laisser refroidir la pompe et la nettoyer soigneusement.
- S'assurer que toutes les pièces nécessaires au fonctionnement sont en bon état.

8.3.1. Contrôle visuel du câble d'alimentation du courant

Vérifier que les câbles d'alimentation du courant ne présentent ni boursoufflures, ni fissures ou rayures, des points de frottement et/ou de compression. Mettre immédiatement la pompe hors service si des dommages sont constatés et remplacer le câble d'alimentation du courant défectueux.

Le remplacement des câbles est du ressort exclusif du service après-vente Wilo ou d'un atelier de SAV autorisé ou certifié. La pompe ne doit être remise en service que lorsque les dommages ont été réparés professionnellement !

8.3.2. Contrôle visuel des accessoires

Les accessoires doivent être en place et en parfait état de marche. Les accessoires lâches et/ou endommagés doivent être immédiatement réparés ou remplacés.

8.3.3. Contrôle visuel de l'usure du revêtement et du corps

Les revêtements et les parties du corps ne doivent présenter aucuns dommages. En cas de dommages visibles sur les revêtements, les réparer de manière appropriée. Si des dommages visibles sont présents sur des parties du corps, prière de contacter le service après-vente Wilo.

8.3.4. Contrôle de fonctionnement des dispositifs de sécurité et de surveillance

Les dispositifs de surveillance sont p. ex. les capteurs de température à l'intérieur du moteur, les électrodes d'humidité, les relais de protection du moteur, les relais de surtension etc.

- Le relais de protection du moteur, le relais à maximum de tension ainsi que divers autres déclencheurs peuvent en principe être déclenchés manuellement à des fins de test.
- Pour contrôler l'électrode-tige ou les capteurs de température, laisser refroidir la pompe et débrancher la ligne d'alimentation électrique du dispositif de surveillance dans le coffret de commande. Le dispositif de surveillance est ensuite contrôlé à l'aide d'un ohmmètre. Les valeurs suivantes doivent être mesurées :
 - Sonde bimétallique : Valeur égale à « 0 » : passage
 - CTP/capteur thermistor Un capteur thermistor possède une résistance à froid située entre 20 et 100 Ohms.
 Dans le cas de 3 capteurs en série, il en résulterait une valeur de 60 à 300 Ohms.

Dans le cas de 4 capteurs en série, il en résulterait une valeur de 80 à 400 Ohms.

- Electrode-tige : La valeur doit approcher l'infini. De l'eau est dans l'huile si les valeurs sont basses. Respecter également les indications du relais de contrôle disponible en option.

prière de contacter le fabricant dans le cas de divergences trop importantes !

8.3.5. Contrôle des coffrets de commande/relais

Les différentes étapes de travail pour contrôler les coffrets de commande/relais utilisés figurent dans les notice de montage et de mise en service respectives. Les appareils défectueux doivent être immédiatement remplacés car ils ne sont plus en état de protéger la pompe.

8.3.6. Vidange d'huile de la chambre d'étanchéité

La chambre d'étanchéité est dotée d'une ouverture permettant de vider et de remplir la chambre.



ATTENTION aux blessures dues aux matières consommables brûlantes et/ou sous pression. Après la mise hors tension, l'huile est encore chaude et sous pression. Le bouchon fileté peut être ainsi éjecté et de l'huile brûlante jaillir. Il existe un risque de blessures et/ou de brûlures ! Laisser tout d'abord refroidir l'huile à la température ambiante.

Fig. 8 : Bouchons filetés

1	Bouchon fileté
1.	Poser la pompe sur une surface résistante de sorte que le bouchon fileté soit dirigé vers le haut. S'assurer que la pompe ne peut pas tomber et/ou glisser !
2.	Dévisser lentement et précautionneusement le bouchon fileté. Attention : le fluide risque d'être sous pression ! La vis peut être alors éjectée.
3.	Vidanger les matières consommables et tournant la pompe jusqu'à ce que l'ouverture soit dirigée vers le bas. Récupérer les matières consommables dans un récipient approprié et l'éliminer conformément aux exigences stipulées dans le chapitre « Elimination ».
4.	Tournez à nouveau la pompe jusqu'à ce que l'ouverture se trouve à nouveau en haut.
5.	Versez les matières consommables neuves par l'ouverture dans le bouchon fileté. L'huile doit arriver jusqu'à 0,4 in (1 cm) env. sous l'ouverture. Respecter les matières consommables et les quantités de remplissage !
6.	Nettoyer le bouchon fileté, le doter d'un nouveau joint circulaire et le revisser,

8.3.7. Révision générale

Dans le cadre d'une révision générale, le contrôle – et si nécessaire le remplacement – des paliers du moteur, des garnitures d'étanchéité d'arbre, des joints toriques et des câbles d'alimentation du courant s'ajoutent aux opérations d'entretien habituelles. Seul le fabricant ou un atelier de SAV agréé est habilité à exécuter ces travaux.

9. Recherche et élimination des pannes

Observer impérativement les points suivants afin d'éviter tout dommage matériel ou corporel lors de l'élimination de dérangements sur la pompe :

- N'éliminer une panne que si un personnel qualifié est disponible, c.-à-d. que les différents travaux doivent être réalisés par un personnel spécialisé, les travaux électriques p. ex. sont réservés à un électricien qualifié.
- Sécuriser toujours la pompe contre un redémarrage intempestif en la coupant du secteur. Prendre les mesures de précaution appropriées.
- Prévoir toujours une deuxième personne qui prendra en charge l'arrêt d'urgence de la pompe.
- Bloquer les pièces mobiles afin d'éviter toute blessure.
- Toute modification de la pompe par l'exploitant sans l'assentiment du fabricant est effectuée aux risques et périls de l'exploitant et dégage le fabricant de tout engagement relatif à la garantie.

Panne : Le groupe ne démarre pas

1. Interruption de l'alimentation en courant, court-circuit ou défaut à la terre au niveau du câble et/ou de l'enroulement du moteur
 - Le câble et le moteur doivent être vérifiés et, si besoin, remplacés par un spécialiste
2. Déclenchement de fusibles, de contacteur-disjoncteur et/ou de dispositifs de surveillance
 - Les raccordements doivent être vérifiés et, si besoin, modifiés par un spécialiste.
 - Monter ou faire monter le contacteur-disjoncteur et les fusibles en fonction des dispositions techniques, réinitialiser les dispositifs de surveillance.
 - Vérifier que la roue peut tourner librement et, si besoin, la nettoyer ou bien rétablir son bon fonctionnement
3. La surveillance de la chambre d'étanchéité (en option) a interrompu le circuit électrique (dépend de l'exploitant)
 - Voir panne : fuite de la garniture mécanique, la surveillance de la chambre d'étanchéité signale une panne ou arrête la pompe.

Panne : Le groupe démarre, mais le contacteur-disjoncteur du moteur se déclenche peu de temps après la mise en service

1. Le déclencheur thermique sur le contacteur-disjoncteur est mal réglé.
 - Demander à un spécialiste de comparer le contacteur-disjoncteur sélectionné et son réglage avec les dispositions techniques, si besoin, le faire corriger.
2. Courant absorbé accru dû à une baisse importante de la tension.
 - Demander à un spécialiste de vérifier les valeurs de la tension de chaque phase et, si besoin, faire modifier le raccordement
3. Marche sur 2 phases
 - Le raccordement doit être vérifié et, si besoin corrigé par un spécialiste.
4. Ecart de tension excessifs sur les 3 phases
 - Le raccordement et l'installation de distribution électrique doivent être vérifiés et si besoin corrigés par un spécialiste.
5. Mauvais sens de rotation
 - Echanger 2 phases de la ligne secteur.
6. Ralentissement de la roue dû au colmatage et/ou à des particules solides, courant absorbé accru
 - Arrêter la pompe, la sécuriser contre tout ré-enclenchement, faire tourner la roue pour la libérer ou nettoyer les tubulures d'aspiration.
7. La densité du fluide est trop élevée
 - Contacter le fabricant

Panne : Le groupe fonctionne, mais ne pompe pas

1. Aucun fluide disponible
 - Ouvrir l'alimentation de la cuve ou du robinet.
2. Arrivée colmatée
 - Nettoyer la conduite d'arrivée, les vannes, l'embout d'aspiration, les tubulures d'aspiration ou la crépine
3. Roue bloquée ou ralentie
 - Arrêter la pompe, la sécuriser contre tout ré-enclenchement, faire tourner la roue pour la libérer.
4. Tuyau/tuyauterie défectueux
 - Remplacer les pièces défectueuses
5. Fonctionnement intermittent
 - Contrôler l'installation de distribution

Panne : Le groupe fonctionne, les paramètres de fonctionnement définis ne sont pas respectés.

1. Arrivée colmatée
 - Nettoyer la conduite d'arrivée, les vannes, l'embout d'aspiration, les tubulures d'aspiration ou la crépine
2. Fermer le robinet de la conduite de refoulement.
 - Ouvrir complètement le robinet
3. Roue bloquée ou ralentie
 - Arrêter la pompe, la sécuriser contre tout ré-enclenchement, faire tourner la roue pour la libérer.
4. Mauvais sens de rotation
 - Intervertir 2 phases de la ligne secteur.

5. Air dans l'installation
 - Contrôler et purger l'air de la tuyauterie, de la chemise de pression et/ou de l'hydraulique
6. La pression véhicule le fluide avec une pression trop élevée.
 - Vérifier le robinet dans la conduite de refoulement, le cas échéant, l'ouvrir complètement, utiliser une autre roue, contacter l'usine.
7. Signes d'usure
 - Remplacer les pièces usées
8. Tuyau/tuyauterie défectueux
 - Remplacer les pièces défectueuses
9. Teneur en gaz non autorisée dans le fluide
 - Contacter l'usine
10. Marche sur 2 phases
 - Le raccordement doit être vérifié et, si besoin corrigé par un spécialiste.
11. Trop forte baisse du niveau d'eau pendant le fonctionnement
 - Vérifier l'alimentation et la capacité de l'installation, contrôler les réglages et le fonctionnement de la commande du niveau.

Panne : Fonctionnement instable et bruyant du groupe

1. La pompe fonctionne dans une plage de service non autorisée.
 - Vérifier les données de service de la pompe et, si besoin, les ajuster et/ou modifier les conditions de service.
2. Crépine, tubulures d'aspiration et/ou roue colmatées
 - Nettoyer la crépine, les tubulures d'aspiration et/ou la roue
3. La roue ne tourne pas librement
 - Arrêter la pompe, la sécuriser contre tout ré-enclenchement, faire tourner la roue pour la libérer.
4. Teneur en gaz non autorisée dans le fluide
 - Contacter l'usine
5. Marche sur 2 phases
 - Le raccordement doit être vérifié et, si besoin corrigé par un spécialiste.
6. Mauvais sens de rotation
 - Intervertir 2 phases de la ligne secteur.
7. Signes d'usure
 - Remplacer les pièces usées
8. Palier de moteur défectueux
 - Contacter l'usine
9. La pompe montée est soumise à des contraintes.
 - Vérifier le montage et, si besoin, utiliser des compensateurs en caoutchouc

Panne : fuite de la garniture mécanique, la surveillance de la chambre d'étanchéité signale une panne ou arrête la pompe.

1. Formation d'eau de condensation due à un stockage prolongé et/ou de fortes variations de température.
 - Faire fonctionner la pompe brièvement (max. 5 min) sans électrode-tige.

2. Fuite importante lors du rodage de nouvelles garnitures mécaniques
 - Vidanger l'huile.
3. Le câble ou l'électrode-tige sont défectueux.
 - Remplacer l'électrode-tige.
4. Garniture mécanique défectueuse.
 - Contacter l'usine.

Mesures supplémentaires permettant l'élimination des pannes

Si les mesures indiquées ne suffisent pas à éliminer la panne concernée, prière de contacter le service après-vente de Wilo. Celui-ci vous aidera de la façon suivante :

- Assistance téléphonique et/ou écrite assurée par le service après-vente de Wilo
- Assistance sur site assurée par le service après-vente Wilo.
- Contrôle et réparation en usine de la pompe. Certaines prestations assurées par notre service après-vente peuvent générer des frais à votre charge ! Pour toute information à ce sujet, adressez-vous au service après-vente de Wilo.

10. Annexe

10.1. Fonctionnement avec convertisseur de fréquence

Chaque moteur de série peut être utilisé en respectant la CEI 60034-17. Prière de contacter l'usine si les fréquences mesurées dépassent 415 V/50 Hz ou 480 V/60 Hz. La puissance nominale du moteur devrait être supérieure de 10 % au besoin de puissance de la pompe en raison de l'échauffement supplémentaire. Dans le cas de convertisseurs de fréquence avec sortie à faibles ondes harmoniques, la réserve de puissance peut être éventuellement réduite de 10 %. Ceci est obtenu généralement en utilisant des filtres de sortie. **De plus, les moteurs standard ne sont pas équipés de câbles blindés.** Les convertisseurs de fréquences et les filtres sont être adaptés en conséquence. Contacter le fabricant.

Le dimensionnement du convertisseur de fréquence est réalisé en fonction du courant nominal du moteur. S'assurer que la pompe fonctionne sans à-coups et sans vibrations, particulièrement dans la plage de rotation inférieure. Les garnitures mécaniques pourraient être sinon endommagées et perdre leur étanchéité. De plus, tenir compte de la vitesse d'écoulement dans la tuyauterie. Si la vitesse d'écoulement est trop faible, le risque de dépôts de matières solides dans la pompe et dans la tuyauterie raccordée augmente. **Nous recommandons donc une vitesse d'écoulement minimale de 2,3 ft/s (0,7 m/s) avec une hauteur manométrique de refoulement de 5,8 psi (0,4 bar).**

Il est important que la pompe fonctionne sur toute la plage de régulation sans vibrations, résonances, moments oscillants et bruits excessifs (contacter

éventuellement l'usine). Un bruit accru du moteur en raison de l'alimentation électrique soumise aux ondes harmoniques est normale.

Lors du paramétrage du convertisseur de fréquence, respecter impérativement le réglage de la courbe caractéristique carrée (courbe caractéristique U/f) pour les pompes et les ventilateurs ! Elle garantit une adaptation de la tension à la demande de puissance de la pompe dans le cas des fréquences supérieures à la fréquence nominale (50 Hz ou 60 Hz). Les convertisseurs de fréquences récents offrent aussi une optimisation automatique de l'énergie qui occasionne le même effet. Respecter le manuel d'exploitation du convertisseur de fréquence pour régler le convertisseur de fréquence.

Sur les moteurs alimentés avec un convertisseur de fréquence, des dérangements du dispositif de surveillance du moteur peuvent surgir en fonction du type de convertisseur de fréquence et des conditions d'installation. Les mesures générales suivantes peuvent contribuer à réduire, voire même à éviter les défaillances.

- Respect des valeurs limites selon CEI 60034-17 quant aux surtensions et vitesse de montée (des filtres de sortie sont éventuellement nécessaires).
- Variation de la fréquence de pulsation du convertisseur de fréquence
- Dans le cas de défaillances de la surveillance de la chambre d'étanchéité, utiliser nos électrode-tige doubles externes.

Les mesures constructives suivantes peuvent aussi contribuer à réduire ou éviter des défaillances.

- Utilisation de câbles d'alimentation du courant blindés.

Récapitulatif

- Fonctionnement continu entre 1 Hz et la fréquence nominale (50 Hz ou 60 Hz), en tenant compte de la vitesse d'écoulement min.
- Tenir compte des mesures supplémentaires relatives à la CEM (choix du convertisseur de fréquence, utilisation de filtres, etc.).
- Ne jamais dépasser le courant nominal et la vitesse nominale du moteur.
- Il faut que le raccordement d'un dispositif de surveillance de la température propre au moteur (capteur bimétal ou CTP) soit possible.

10.2. Homologation Ex

Ce chapitre contient des informations spéciales à l'intention des propriétaires et opérateurs de pompes montées et attestées pour fonctionner dans des secteurs à risque d'explosion.

Il élargit et complète ainsi les instructions standard de cette pompe. De plus, il complète et/ou élargit le chapitre « Consignes de sécurité générales » et doit être ainsi lu et compris par tous les utilisateurs et opérateurs de la pompe.

Ce chapitre n'est valable que pour les pompes dotées d'une homologation Ex et contient des instructions supplémentaires à cet effet !

10.2.1. Désignation de pompes homologuées Ex

Les pompes homologuées pour une exploitation en milieu explosif sont désignées de la manière suivante sur la plaque signalétique :

- Symbole « Ex » de l'homologation correspondante
- Indications relatives à la classification Ex.

10.2.2. Homologation FM

Les moteurs sont certifiés par l'office reconnu de contrôle et d'homologation « FM Approvals » conformément aux normes FMRC 3600, 3615, 3615.80 et ANSI/UL-1004. Ils peuvent être utilisés dans des zones explosibles nécessitant des appareils électriques de classe de protection « Explosionproof, Class 1, Division 1 ».

Leur utilisation est donc également possible dans les zones nécessitant la classe de protection « Explosionproof, Class 1, Division 2 » conformément à la norme FM.

10.2.3. Classification FM



La désignation Ex

CLASS I, DIV. 1, GROUPS C, D
CLASS II, DIV. 1, GROUPS E, F, G
CLASS III
TEMPERATURE CODE T3C

indique :

- Class 1 = gaz, vapeurs, brume ;
Division 1 = atmosphère explosible présente dans des conditions normales en permanence ou par intermittence
Groups C, D = groupes de gaz : éthylène (C), propane (D)
- Class 2 = poussières
Division 1 = atmosphère explosible présente dans des conditions normales en permanence ou par intermittence
Groups E, F, G = groupes de poussières : métal (E), charbon (F), céréales (G)
- Class 3 = fibres et peluches
- T3C = température max. de surface de la machine 320 °F (160 °C)

La plaque signalétique indique également la profondeur d'immersion max. et la température max. du fluide.

Type de protection « Explosion proof »

Les moteurs de ce type doivent être équipés d'une surveillance de la température.

Mode Echange

Une immersion du moteur n'est pas autorisée !

10.2.4. Raccordement électrique



DANGER de mort dû au courant électrique !
En cas de raccordement électrique non conforme, il existe un danger de mort par choc électrique et/ou explosion. Seul un électricien agréé par le fournisseur d'énergie et respectant les réglementations locales est autorisé à exécuter les raccordements électriques.

En plus des informations fournies dans le chapitre « Raccordement électrique », respecter les points suivants pour les pompes homologuées Ex :

- La connexion du câble d'alimentation électrique doit être effectuée en dehors de le secteur à risque d'explosion ou à l'intérieur d'un corps présentant une classe de protection conforme !
- Tolérance de tension : $\pm 10\%$
- Tous les dispositifs de surveillance hors des « secteurs résistant au claquage » doivent être raccordés par le biais d'un relais d'isolation Ex. Nous conseillons d'utiliser un relais XR-42x pour ce faire.

Raccordement du dispositif de surveillance de la température

Le moteur est équipé d'un dispositif de limitation de la température (surveillance de la température mono-circuit).

En option, le moteur peut être équipé d'un dispositif de régulation et de limitation de la température (surveillance de la température à deux circuits).



DANGER de mort dû à un raccordement défectueux !
Risque d'explosion dû à une surchauffe du moteur ! Le dispositif de limite de température doit être raccordé de sorte que, lorsqu'il se déclenche, le redémarrage ne soit possible qu'après actionnement manuel d'un « bouton de déblocage » !

Dans le cas d'une surveillance de la température à 2 circuits, un redémarrage automatique peut intervenir par le biais de la régulation de température. Il faut ici respecter le nombre de démarrages max. défini de 15/h avec une pause de 3 minutes.

- Les sondes bimétalliques doivent être raccordées via un relais de contrôle. Nous conseillons d'utiliser un relais « CM-MSS ». La valeur seuil y est déjà prééglée.
 Valeurs de raccordement : max. 250 V (CA), 2,5 A, $\cos \varphi = 1$
- Les capteurs CTP (disponibles en option/selon DIN 44082) doivent être raccordés par le biais d'un relais de contrôle. Nous conseillons d'utiliser un relais « CM-MSS ». La valeur seuil y est déjà prééglée. Un arrêt doit avoir lieu lorsque la valeur seuil est atteinte.

Surveillance du compartiment du moteur :

- Le dispositif de surveillance du compartiment du moteur doit être raccordé via un relais de contrôle ! Nous conseillons d'utiliser pour ce faire le relais « NIV 101/A ». La valeur seuil est de 30 kOhms. Un arrêt doit avoir lieu lorsque la valeur seuil est atteinte.

Raccordement de la surveillance de la chambre d'étanchéité

- L'électrode-tige doit être raccordé via un relais de contrôle ! Nous conseillons d'utiliser un relais « XR-42x ». La valeur seuil est de 30 kOhms.
- Le raccordement doit avoir lieu via un circuit électrique à sécurité intrinsèque !
 Les valeurs de raccordement suivantes doivent être respectées :
 - max. 30 Vrms (pointe de 60 V)
 - max. 60 V CC
 - max. 0,5 mA

Fonctionnement sur le convertisseur de fréquence

- Fonctionnement continu jusqu'à fréquence nominale (50 Hz ou 60 Hz), en tenant compte de la vitesse d'écoulement min.
- Tenir compte des mesures supplémentaires relatives à la CEM (choix du convertisseur de fréquence, utilisation de filtres, etc.)
- Ne jamais dépasser le courant nominal et la vitesse nominale du moteur.
- Il faut que le raccordement d'un dispositif de surveillance de la température propre au moteur (capteur bimétal ou CTP) soit possible.

10.2.5. Mise en service



DANGER de mort dû à une explosion !
Les pompes sans désignation « Ex » ne doivent pas être utilisées dans des zones à risque d'explosion ! Danger de mort par explosion ! Respecter les points suivants pour une utilisation en secteurs à risque d'explosion :

- La pompe doit être homologuée pour une utilisation dans des secteurs à risque d'explosion !
- La connexion du câble d'alimentation électrique doit être effectuée en dehors de le secteur à risque d'explosion ou à l'intérieur d'un corps présentant une classe de protection conforme !
- Les coffrets de commande doivent être installés en dehors de la zone Ex ou à l'intérieur d'un corps présentant une classe de protection conforme ! De plus, il faut qu'ils soient conçus pour fonctionner avec des pompes homologuées Ex.
- Les accessoires montés doivent être homologués pour une utilisation sur des pompes Ex !



DANGER de mort dû à une explosion !
Le corps hydraulique doit être entièrement noyé pendant le fonctionnement (rempli complètement de fluide). Dans le cas d'un corps hydraulique remplacé et/ou d'air dans l'hydraulique, il peut se produire une explosion due à des étincelles, p. ex. en raison d'une charge statique. Assurer un arrêt au moyen d'une protection contre le fonctionnement à sec.

En plus des informations fournies dans le chapitre « Mise en service », respecter les points suivants pour les pompes homologuées Ex :

- L'exploitant est chargé de définir une zone Ex. Seules des pompes possédant une homologation Ex peuvent être utilisées dans un secteur à risque d'explosion.
- Les pompes possédant une homologation Ex doivent être identifiées comme telles.
- Pour que le refroidissement nécessaire soit obtenu sur les moteurs ventilés, il est nécessaire de les purger complètement avant de les remettre en route après que le moteur a été émergé !

10.2.6. Maintenance



DANGER de mort dû au courant électrique !
Lors des travaux sur les appareils électriques, il existe un danger de mort par électrocution. Pour tous les travaux d'entretien et de réparation, il faut couper la pompe du secteur et la protéger contre toute remise en marche intempestive. De manière générale, seul un électricien spécialisé qualifié est habilité à réparer les câbles d'alimentation du courant endommagés.

En plus des informations fournies dans le chapitre « Maintenance », respecter les points suivants pour les pompes homologuées Ex :

- Effectuer les travaux de maintenance et de réparations conformément à ce manuel de service et d'entretien.
- Seul le constructeur ou des ateliers de SAV agréés sont habilités à exécuter des opérations de réparation et/ou de modification structurelles non mentionnées par ce manuel de service et d'entretien.
- Une réparation sur des fentes résistant au claquage ne peut être effectuée que conformément aux prescriptions du fabricant. La réparation conformément aux cotes de fentes selon des valeurs normalisées n'est pas autorisée.
- Utiliser exclusivement les bouchons filetés prescrits par le fabricant, qui satisfont au minimum à une classe de résistance de 600 N/mm².

Changement de câble

Il est strictement interdit de remplacer les câbles, cette opération étant réservée au fabricant ou à un atelier de SAV certifié par le fabricant.

10.3. Pièces de rechange

La commande de pièces de rechange s'effectue auprès du service après-vente de Wilo. Indiquez toujours les numéros de série et références pour éviter toute erreur de commande et pour simplifier le traitement de la commande.

Sous réserve de modifications techniques.



1.	Introducción	62	7.3.	Desmontaje	79
1.1.	Acerca de este documento	62	7.4.	Devolución/almacenamiento	79
1.2.	Cualificación del personal	62	7.5.	Eliminación	80
1.3.	Derechos de autor	62			
1.4.	Reservado el derecho de modificación	62	8.	Mantenimiento	80
1.5.	Garantía	62	8.1.	Material de servicio	81
2.	Seguridad	63	8.2.	Intervalos de mantenimiento	81
2.1.	Instrucciones e indicaciones de seguridad	63	8.3.	Trabajos de mantenimiento	82
2.2.	Aspectos generales de seguridad	63			
2.3.	Trabajos eléctricos	64	9.	Búsqueda y solución de averías	83
2.4.	Dispositivos de seguridad y control	64			
2.5.	Comportamiento durante el funcionamiento	64	10.	Anexo	84
2.6.	Fluidos	65	10.1.	Funcionamiento con convertidores de frecuencia	84
2.7.	Presión acústica	65	10.2.	Homologación para uso en zonas explosivas	85
2.8.	Indicación de conformidad	65	10.3.	Repuestos	87
3.	Descripción del producto	65			
3.1.	Uso previsto y ámbitos de aplicación	65			
3.2.	Estructura	66			
3.3.	Funcionamiento en atmósferas explosivas	66			
3.4.	Modos de funcionamiento	67			
3.5.	Datos técnicos	67			
3.6.	Código	68			
3.7.	Suministro	68			
3.8.	Accesorios	68			
4.	Transporte y almacenamiento	68			
4.1.	Entrega	68			
4.2.	Transporte	68			
4.3.	Almacenamiento	69			
4.4.	Devolución	69			
5.	Instalación	69			
5.1.	Generalidades	69			
5.2.	Tipos de instalación	70			
5.3.	Montaje	70			
5.4.	Protección contra marcha en seco	73			
5.5.	Conexión eléctrica	74			
5.6.	Protección de motor y tipos de arranque	76			
6.	Puesta en marcha	76			
6.1.	Sistema eléctrico	77			
6.2.	Control del sentido de giro	77			
6.3.	Control de nivel	77			
6.4.	Funcionamiento en áreas con riesgo de explosión	77			
6.5.	Puesta en marcha	77			
6.6.	Comportamiento durante el funcionamiento	78			
7.	Puesta fuera de servicio/eliminación	79			
7.1.	Puesta fuera de servicio temporal	79			
7.2.	Puesta fuera de servicio definitiva para trabajos de mantenimiento o almacenamiento	79			

1. Introducción

1.1. Acerca de este documento

El idioma de las instrucciones de funcionamiento originales es el alemán. Las instrucciones en los restantes idiomas son una traducción de las instrucciones de funcionamiento originales.

Las instrucciones están divididas en distintos capítulos, los cuales aparecen en el índice. Cada uno de los capítulos va encabezado por un título en el que se indica el contenido que se va a describir.

La copia de la "Declaración de conformidad CE" es un componente esencial de las presentes instrucciones de funcionamiento.

Dicha declaración perderá su validez en caso de modificación técnica de los tipos citados en la misma no acordada con nosotros.

1.2. Cualificación del personal

Todo el personal que trabaje en o con la bomba debe estar cualificado para ello. Así, p. ej., los trabajos eléctricos deben ser realizados solo por electricistas cualificados. Todo el personal debe ser mayor de edad.

Como base para el personal de manejo y de mantenimiento se deben observar también las disposiciones de prevención de accidentes nacionales.

Además, se debe asegurar que el personal haya leído y entendido las instrucciones de este manual de servicio y mantenimiento y, en caso necesario, se deberá pedir al fabricante una traducción del manual en el idioma que se precise.

Esta bomba no ha sido concebida para ser utilizada por personas (incluidos los niños) con capacidades físicas, sensoriales o mentales limitadas o que carezcan de la experiencia y/o el conocimiento para ello, a no ser que sean supervisadas por una persona responsable de su seguridad o reciban de ella las instrucciones acerca del manejo de la bomba.

Se debe supervisar a los niños para garantizar que no jueguen con la bomba.

1.3. Derechos de autor

Los derechos de autor de este manual de servicio y mantenimiento son propiedad del fabricante. Este manual de servicio y mantenimiento está pensado para el personal de montaje, operación y mantenimiento. Contiene reglamentos e ilustraciones de tipo técnico que no deben reproducirse ni en su totalidad ni en parte, distribuirse, aprovecharse sin autorización para beneficio de la competencia o divulgarse a terceras personas. Las ilustraciones utilizadas pueden diferir del original y sirven únicamente como representación a modo de ejemplo de las bombas.

1.4. Reservado el derecho de modificación

El fabricante se reserva el derecho a realizar modificaciones técnicas en la instalación y/o en piezas de

montaje. Este manual de servicio y mantenimiento se refiere a la bomba indicada en la portada.

1.5. Garantía

La prestación de garantía se rige, en general, por los datos incluidos en las "Condiciones generales de venta" actualizadas. Estas pueden consultarse en: www.wilo.com/legal

Cualquier divergencia al respecto deberá estipularse contractualmente y dársele un trato prioritario.

1.5.1. Generalidades

El fabricante se compromete a subsanar cualquier daño en las bombas que ha vendido siempre y cuando sea aplicable uno o varios de los siguientes puntos:

- Defecto de calidad del material, de fabricación y/o de construcción
- Los fallos detectados dentro del período de garantía acordado deben comunicarse por escrito al fabricante
- La bomba únicamente se ha utilizado en condiciones de empleo conformes al uso previsto
- Todos los dispositivos de control están conectados y se ha comprobado antes de la puesta en marcha

1.5.2. Período de validez de la garantía

El período de validez de la garantía está determinado en las "Condiciones generales de venta".

Cualquier divergencia al respecto deberá estipularse contractualmente.

1.5.3. Piezas de repuesto, agregados y modificaciones

Sólo se pueden utilizar piezas de repuesto originales del fabricante para reparaciones, reposiciones, agregados y modificaciones. Los agregados y modificaciones que se realicen por cuenta propia o la utilización de piezas que no sean originales pueden provocar graves daños en la bomba y/o lesiones corporales.

1.5.4. Mantenimiento

Los trabajos de mantenimiento e inspección prescritos deben realizarse regularmente. Estos trabajos sólo pueden ser realizados por personal formado, cualificado y autorizado.

1.5.5. Daños en el producto

Los daños y fallos que pongan en peligro la seguridad deben ser corregidos inmediatamente, y conforme a las reglas, por personal especialmente instruido para ello. La bomba solamente se puede utilizar en un estado técnico perfecto.

Las reparaciones solamente debe realizarlas el servicio técnico de Wilo.

1.5.6. Exclusión de responsabilidad

No se ofrece ninguna garantía ni se asume ninguna responsabilidad por aquellos daños de la bomba en

los que sea aplicable uno o varios de los siguientes puntos:

- Dimensionamiento incorrecto por parte del fabricante debido a indicaciones insuficientes y/o incorrectas por parte del operador o el cliente
- El incumplimiento de las indicaciones de seguridad y las instrucciones de trabajo incluidas en este manual de servicio y mantenimiento
- Uso indebido
- Almacenamiento y transporte indebidos
- Montaje/desmontaje indebido
- Mantenimiento deficiente
- Reparación indebida
- Terreno u obras de construcción deficientes
- Influencias químicas, electroquímicas y eléctricas
- Desgaste

Con ello se excluye también cualquier responsabilidad del fabricante sobre los daños y perjuicios resultantes para personas, bienes materiales y/o de capital.

2. Seguridad

En este capítulo se exponen todas las indicaciones de seguridad e instrucciones técnicas de validez general. Además, en cada uno de los capítulos siguientes se dan indicaciones de seguridad e instrucciones técnicas específicas. Durante las distintas fases (instalación, funcionamiento, mantenimiento, transporte, etc.) por las que pasa la bomba, se deberán respetar y cumplir todas las indicaciones e instrucciones. El operador del producto es el responsable de que todo el personal respete estas indicaciones e instrucciones.

2.1. Instrucciones e indicaciones de seguridad

En este manual se dan instrucciones e indicaciones de seguridad relativas a daños materiales y personales. A fin de marcarlas de forma clara para el personal, estas instrucciones e indicaciones de seguridad se distinguen de la siguiente forma:

- Las instrucciones se muestran en “negrita” y se refieren directamente al texto o apartado al que preceden.
- Las indicaciones de seguridad aparecen con una pequeña “sangría” y en negrita” y empiezan siempre con una palabra identificativa.
 - **Peligro**
¡Se pueden producir lesiones muy graves o incluso la muerte!
 - **Advertencia**
¡Se pueden producir lesiones muy graves!
 - **Precaución**
¡Se pueden producir lesiones!
 - **Precaución** (nota sin símbolo)
¡Se pueden producir considerables daños materiales, incluso un siniestro total!
- Las indicaciones de seguridad que hacen referencia a daños personales aparecen en color negro y siempre van acompañadas de un signo de seguridad. Los

signos que se utilizan en referencia a la seguridad son signos de peligro, de prohibición y de orden.

Ejemplo:



Símbolo de peligro: Peligro general



Símbolo de peligro, p. ej., corriente eléctrica



Símbolo de prohibición, p. ej.: ¡Prohibido el paso!



Símbolo de orden, p. ej.: Llevar protección corporal

Los signos utilizados para los símbolos de seguridad cumplen con las directivas y normativas de validez general, p. ej., DIN, ANSI.

- Las indicaciones de seguridad que solo hacen referencia a daños materiales aparecen en color gris y sin signos de seguridad.

2.2. Aspectos generales de seguridad

- Los trabajos de montaje o desmontaje la bomba en estancias cerradas y pozos no puede realizarlos una persona sola. Siempre tiene que haber una segunda persona.
- Para realizar cualquiera de los trabajos (montaje, desmontaje, mantenimiento, instalación) la bomba deberá estar desconectada. La bomba debe estar desenchufada de la red eléctrica y la alimentación eléctrica debe estar asegurada para que no se vuelva a conectar. Todas las piezas giratorias deben haberse detenido.
- El operario deberá informar inmediatamente al responsable sobre cada avería o irregularidad que se produzca.
- El operario debe detener el equipo inmediatamente si aparecen fallos que pongan en peligro la seguridad. Por ejemplo:
 - Fallo de los dispositivos de seguridad y/o control
 - Daños en piezas importantes
 - Daños en los dispositivos eléctricos, el cable y los aislamientos
- Las herramientas y demás objetos deben guardarse en los lugares previstos a fin de garantizar un manejo seguro.
- Al trabajar en espacios cerrados deberá proporcionarse una ventilación suficiente.
- Si se llevan a cabo trabajos de soldadura y/o trabajos con equipos eléctricos, debe garantizarse que no hay peligro de explosión.
- Por lo general solo se deberán utilizar medios de fijación que estén homologados legalmente.

- Los medios de fijación deben adaptarse a las condiciones correspondientes (condiciones atmosféricas, dispositivo de enganche, carga, etc.) y guardarse cuidadosamente.
- Los medios de fijación móviles destinados a levantar cargas deben utilizarse de tal manera que se garantice la estabilidad del medio de fijación durante su uso.
- Durante el uso de medios de fijación móviles para levantar cargas no guiadas deben tomarse medidas para evitar que vuelquen, se desplacen, resbalen, etc.
- También deben tomarse medidas para evitar que nadie se coloque debajo de cargas suspendidas. Asimismo, está prohibido mover cargas suspendidas por encima de los puestos de trabajo en los que pueda haber personas.
- Si se utilizan medios de fijación móviles para levantar cargas, en caso de necesidad (p. ej., vista obstaculizada) deberá recurrirse a una segunda persona que coordine los trabajos.
- La carga que se desee levantar deberá transportarse de tal manera que, en caso de caída de tensión, nadie pueda sufrir daños. Asimismo, los trabajos de este tipo que se realicen al aire libre deberán interrumpirse si las condiciones atmosféricas empeoran. **Estas indicaciones se deben respetar rigurosamente. De lo contrario, se podrían producir lesiones y considerables daños materiales.**

2.3. Trabajos eléctricos



¡PELIGRO por corriente eléctrica!
Peligro de muerte por una manipulación incorrecta durante la realización de trabajos eléctricos. Estos trabajos solamente pueden realizarlos electricistas cualificados.

¡CUIDADO con la humedad!
Si penetra humedad en el cable, tanto el cable como la bomba sufrirán daños. No sumerja nunca el extremo del cable en un líquido y protéjalo para evitar que entre la humedad. ¡Los hilos que no se utilicen deben aislarse!

Nuestras bombas funcionan con corriente alterna o con corriente trifásica. Deben cumplirse las directivas, las normas y los reglamentos nacionales válidos (p. ej., VDE 0100) así como las prescripciones de las compañías eléctricas locales.

El operario debe estar informado sobre la alimentación eléctrica de la bomba, así como de las posibilidades de desconexión. En el caso de los motor trifásicos, debe instalarse un guardamotor. Se recomienda montar un interruptor diferencial (RCD). Si existe la posibilidad de que las personas entren en contacto con la propia bomba y el fluido (por ejemplo en el emplazamiento de las obras, la

conexión **debe** protegerse adicionalmente con un interruptor diferencial (RCD).

Para la conexión se debe tener en cuenta las indicaciones del capítulo "Conexión eléctrica". Las especificaciones técnicas se deben respetar rigurosamente. Nuestras bombas deben conectarse a tierra.

Si un dispositivo de protección ha apagado la bomba, deberá subsanarse el fallo antes de volver a encenderla.

Al conectar la bomba al cuadro de distribución, y en especial si se utilizan dispositivos electrónicos como controles de arranque progresivo o convertidores de frecuencia, deberá tenerse en consideración los reglamentos del fabricante del cuadro para así cumplir con los requisitos de compatibilidad electromagnética (CEM). Es posible que las líneas de entrada de corriente y control necesiten otras opciones de apantallado (por ejemplo cables apantallados, filtros, etc.).

Solo se debe realizar la conexión si los cuadros cumplen las normas de la UE armonizadas. Los dispositivos de telefonía móvil pueden causar interferencias en el sistema.



¡PELIGRO de radiación electromagnética!
Debido a la radiación electromagnética existe peligro de muerte para las personas que llevan marcapasos. Señalice el sistema de la manera correspondiente y advierta de ello a las personas afectadas.

2.4. Dispositivos de seguridad y control

Las bombas están equipadas con un control de bobinado y de la estanqueidad del motor. La bomba se desconectará si el motor se sobrecaliente durante el funcionamiento o si entran líquidos en el motor.

La conexión del dispositivo de control deberá realizarla un electricista y, antes de la puesta en marcha, deberá comprobarse que funciona correctamente. El personal debe recibir formación sobre los dispositivos conectados y su funcionamiento.

¡ATENCIÓN!
La bomba no debe utilizarse si los dispositivos de control se han retirado, están dañados y/o no funcionan.

2.5. Comportamiento durante el funcionamiento

Durante el funcionamiento de la bomba se han de respetar las leyes y reglamentos válidos en el lugar de empleo con respecto a la seguridad en el puesto de trabajo, la prevención de accidentes y el manejo de máquinas eléctricas. Para garantizar un proceso de trabajo seguro, el propietario deberá distribuir el trabajo entre los operadores. Todo el personal es responsable de que se cumplan los reglamentos.

Debido a su construcción, las bombas centrífugas disponen de piezas giratorias libremente accesibles. Dependiendo del tipo de funcionamiento, estas piezas pueden formar cantos afilados.



¡ADVERTENCIA por peligro de magulladuras y cortes!

Las piezas giratorias del sistema hidráulico pueden formar cantos afilados. Estos cantos pueden provocar magulladuras y cortes.

- **No introducir nunca las manos dentro del sistema hidráulico durante el funcionamiento.**
- **Antes de iniciar las tareas de mantenimiento y reparación, desconectar de la red y asegurar contra una reconexión no autorizada.**
- **Esperar a que las piezas giratorias se detengan por completo.**

2.6. Fluidos

Los fluidos se diferencian entre sí por la composición, agresividad, abrasividad, contenido de materia seca y otros aspectos. Por lo general, nuestras bombas pueden utilizarse en muchos ámbitos de aplicación. En este caso debe tenerse en cuenta que un cambio en los requisitos (densidad, viscosidad, composición en general) puede alterar muchos de los parámetros de funcionamiento de la bomba.

Al utilizar la bomba con otro fluido o al cambiar el tipo de fluido de la bomba, deberá tenerse en cuenta lo siguiente:

- Si el cierre mecánico está defectuoso, el aceite puede salir de la cámara de obturación y mezclarse con el fluido.
- Si el cierre mecánico está defectuoso, el aceite puede salir de la cámara de obturación y mezclarse con el fluido.
- Aquellas bombas que se han utilizado en aguas sucias deben limpiarse a fondo antes de su aplicación con otros fluidos.
- Aquellas bombas que se han utilizado en aguas con residuos fecales y/o fluidos peligrosos para la salud deben descontaminarse por completo antes de su aplicación con otros fluidos.

Debe determinarse si esta bomba puede aplicarse en otro tipo de fluido.

2.7. Presión acústica

En función de su tamaño y potencia (kW), la bomba presenta una presión acústica de aproximadamente 70 dB (A) hasta 90 dB (A) durante el funcionamiento.

No obstante, la presión acústica real depende de varios factores. Estos pueden ser, por ejemplo la profundidad de montaje, la instalación, la fijación de los accesorios y tuberías, el punto de funcionamiento, la profundidad de inmersión, etc.

Recomendamos que el operador realice una medición adicional en el lugar de trabajo cuando la bomba funcione en su punto de funcionamiento y en todas las condiciones de funcionamiento.



ATENCIÓN: Utilizar protección contra el ruido. De conformidad con las leyes vigentes es obligatorio utilizar una protección contra el ruido a partir de una presión acústica de 85 dB (A). El operador debe garantizar que esto se cumpla.

2.8. Indicación de conformidad

Este producto ha sido desarrollado y fabricado siguiendo las directivas de productos CE aplicables al mismo que han de cumplir los artículos comercializados en la UE.

Por ello, este producto satisface las exigencias de seguridad y sanitarias generales estipuladas por el derecho comunitario de la UE relevantes para el mismo,

las normas europeas relevantes publicadas y las normas alemanas reconocidas internacionalmente. Puesto que este producto no se destina al Espacio Económico Europeo no cuenta con el marcado CE.

En consecuencia, no se permite su comercialización en el Espacio Económico Europeo.

3. Descripción del producto

La bomba se fabrica con mucho cuidado y está sometida a un control de calidad continuo. Si la instalación y el mantenimiento se realizan correctamente, está garantizado un funcionamiento sin problemas.

3.1. Uso previsto y ámbitos de aplicación



¡PELIGRO por corriente eléctrica!
Peligro de muerte por corriente eléctrica en caso de utilizar la bomba en piscinas u otros depósitos. Se deben respetar las siguientes indicaciones:

- **Si hay personas en el depósito, la utilización está estrictamente prohibida.**
- **Si no hay personas en el depósito, deberán implementarse medidas de seguridad de conformidad con la norma DIN VDE 0100-702.46 (o bien los correspondientes reglamentos nacionales).**



¡PELIGRO por fluidos explosivos!
Está estrictamente prohibida la impulsión de fluidos explosivos (p. ej., gasolina, queroseno, etc.). ¡Las bombas no están diseñadas para transportar estos fluidos!

Las bombas sumergibles Wilo-Rexa PRO... son apropiadas para la impulsión de:

- Aguas sucias y residuales
- Aguas residuales con residuos fecales
- Aguas residuales comunitarias e industriales

- Lodos con un porcentaje de materia seca, como máximo, del 8 % (en función del tipo) en el desagüe doméstico y en el drenaje de terrenos, en pozos y depósitos.

Las bombas sumergibles no deben utilizarse para impulsar:

- Agua potable
- Fluidos con componentes duros como piedras, madera, metales, arena, etc.
- Fluidos líquidos fácilmente inflamables y combustibles

El cumplimiento de estas instrucciones también forma parte del uso previsto. Todo uso que no figure en las mismas se considerará como no previsto.

3.2. Estructura

Las bombas Wilo-Rexa son bombas inundables de motor sumergible de aguas residuales que se pueden poner en funcionamiento tanto con una instalación sumergida fija y portátil dispuesta en vertical, como con una instalación en seco fija dispuesta en vertical.

Fig. 1.: Descripción

1	Cable	5	Carcasa hidráulica
2	Asa de transporte	6	Conexión de succión
3	Carcasa del motor	7	Conexión de impulsión
4	Carcasa de la junta		

3.2.1. Sistema hidráulico

Hidráulica giratoria con rodete vortex y conexión del lado de presión a modo de unión por bridas horizontal.

El sistema hidráulico no es autoaspirante, es decir, el fluido fluye de manera autónoma o bien con presión previa.

3.2.2. Motor

Se utilizan motores de rotor seco en ejecución de corriente monofásica o ejecución de corriente trifásica. La refrigeración se consigue gracias al fluido circundante. El calor residual se disipa a través de la carcasa del motor y va a parar al fluido. Durante el funcionamiento, el motor puede instalarse en la superficie.



INDICACIÓN

Durante la instalación del motor deben tenerse en cuenta y respetarse los datos incluidos en "Modo de funcionamiento en la superficie".

En el caso de los motores monofásicos, el condensador de servicio situado en un cuadro de condensador está integrado en un cable de conexión.

El cable de conexión presenta una longitud de 40 ft (12,5 m), así como un sellado longitudinalmente hermético y se puede suministrar en los siguientes modelos:

- Cable con enchufe
- Extremo de cable libre

3.2.3. Dispositivos de control

• Control del compartimento de motor:

El control del compartimento de motor comunica una entrada de agua en el compartimento de motor.

• Control térmico del motor:

El control térmico del motor protege el bobinado del motor frente a un sobrecalentamiento. Para ello, se emplean de serie sensores bimetálicos. Opcionalmente, los motores puede equiparse con sensores PTC.

Adicionalmente, el motor se puede equipar con un electrodo de varilla para vigilar la cámara de obturación. Éste comunica una entrada de agua en la cámara de obturación a través del cierre mecánico en el lado del fluido.

3.2.4. Sellado

El sellado del fluido y del compartimento de motor se realiza mediante dos cierres mecánicos. La cámara de obturación situada entre los cierres mecánicos se ha rellenado con aceite blanco medicinal inofensivo para el medioambiente.

3.2.5. Materiales

- Carcasa del motor: ASTM A48 Class 35/40B (EN-GJL-250)
- Carcasa hidráulica: ASTM A48 Class 35/40B (EN-GJL-250)
- Rodete: ASTM A48 Class 35/40B (EN-GJL-250)
- Extremo del eje: AISI 420 (1.4021)
- Juntas estáticas: Nitrile (NBR)
- Sellado
 - Lado de la bomba: SiC/SiC
 - Lado del motor: C/MgSiO₄

3.2.6. Enchufe incorporado

En el modelo "P", los motores monofásicos están equipados con un enchufe con toma de tierra mientras que los motores trifásicos disponen de un enchufe CEE.

Estos enchufes están diseñados para su utilización en cajas de enchufe de toma de tierra o CEE convencionales, pero no presentan una ejecución antiinundaciones.

¡CUIDADO con la humedad!

Los enchufes pueden resultar dañados si penetra la humedad. No sumergir nunca el enchufe en un líquido y protegerlo para evitar que le entre humedad.

3.3. Funcionamiento en atmósferas explosivas

Aquellas bombas que estén marcadas con la indicación Ex, son apropiadas para el uso en atmósferas explosivas. Para poder aplicarse en esta situación,

las bombas deben cumplir con determinadas directivas. Asimismo, el operador también deberá respetar determinadas directivas y reglas de actuación.

Las bombas autorizadas para su utilización en atmósferas explosivas deberán identificarse de la siguiente manera en la placa de características:

- Símbolo "Ex"
- Datos relativos a la clasificación Ex

Durante la aplicación en atmósferas explosivas deben respetarse también el resto de datos incluidos con estas instrucciones.



¡PELIGRO por utilización incorrecta!
Para su aplicación en atmósferas explosivas, la bomba debe contar con la correspondiente autorización. Los accesorios también deben estar debidamente autorizados para esta aplicación. Antes de su aplicación, comprobar que la bomba y sus accesorios presentan una autorización de conformidad con las directivas aplicables.

3.4. Modos de funcionamiento

3.4.1. Modo de funcionamiento S1 (funcionamiento continuo)

La bomba puede funcionar de manera continua con una carga nominal sin que se supere la temperatura admisible.

3.4.2. Modo de funcionamiento S2 (servicio de corta operación)

El tiempo de funcionamiento máx. se indica en minutos, por ejemplo S2-15. La pausa deberá mantenerse hasta que la temperatura de la máquina no difiera en más de 2 K con respecto a la temperatura del refrigerante.

3.4.3. Modo de funcionamiento S3 (funcionamiento intermitente)

Este modo de funcionamiento describe una relación entre el tiempo de funcionamiento y el tiempo de parada. En el caso del funcionamiento S3, el cálculo a realizar en caso de que se indique un valor se corresponde siempre con una duración de 10 min.

Ejemplos

- S3 20 %
Tiempo de funcionamiento del 20 % en 10 min = 2 min / tiempo de parada del 80 % en 10 min = 8 min
- S3 3 min
Tiempo de funcionamiento de 3 min / tiempo de parada de 7 min
En caso de que se indiquen dos valores, estos se sincronizan, por ejemplo:
- S3 5 min/20 min
Tiempo de funcionamiento de 5 min / tiempo de parada de 15 min

- S3 25 %/20 min

Tiempo de funcionamiento de 5 min / tiempo de parada de 15 min

3.5. Datos técnicos

Datos generales	
Alimentación eléctrica [U/f]:	Véase la placa de características
Potencia absorbida [P_1]:	Véase la placa de características
Potencia nominal [P_2]:	Véase la placa de características
Altura máx. de impulsión [H]:	Véase la placa de características
Caudal máx. [Q]	Véase la placa de características
Tipo de arranque [AT]:	Véase la placa de características
Temperatura del fluido [t]:	37 a 104 °F (3 a 40 °C)
Tipo de protección:	IP 68
Clase de aislamiento [Cl.]:	F (opcional H)
Velocidad [n]:	Véase la placa de características
Profundidad máx. de inmersión:	66 ft (20 m)
Protección antideflagrante:	FM
Modos de funcionamiento	
Sumergido [OT_s]:	S1
En la superficie [OT_e]:	S1*, S2 30min, S3 25%**
Frecuencia de arranque	
Recomendada:	20 /h
Máxima:	50 /h
Paso libre	
PRO V05-...:	2,0 in (50 mm)
PRO V06-...:	2,5 in (65 mm)
PRO V08-...:	3,0 in (80 mm)
Conexión de succión:	
PRO ...05-...:	DN 50/PN 10
PRO ...06-...:	DN 65/PN 10
PRO ...08-...:	DN 80/PN 10
Conexión de impulsión	
PRO ...05-...:	ANSI B16.1 125lbs 2/Npt2
PRO ...06-...:	ANSI B16.1 125lbs 2.5/3
PRO ...08-...:	ANSI B16.1 125lbs 3

* **No** es posible para todos los motores el funcionamiento S1 en la superficie. En este caso, deben tenerse en cuenta los datos incluidos en la placa de características.

** El modo de funcionamiento S3 50% es admisible si, antes de una nueva conexión, se garantiza que el

motor se refrigera completamente sumergiéndolo por completo durante, como mínimo, 1 minuto. Los datos técnicos indicados son válidos para las bombas estándar de la serie PRO.

Los datos técnicos de las bombas libremente configuradas de la serie PRO pueden consultarse en la confirmación del encargo.

3.6. Código

Ejemplo:	Wilo-Rexa PRO V06DA-110/EAD1F2-T0015-646-O
PRO	Serie
V	Tipo de rodete V = rodete vortex C = rodete monocanal
06	Tamaño de la conexión de impulsión 05 = ANSI B16.1 125lbs 2/Npt2 06 = ANSI B16.1 125lbs 2.5/3 08 = ANSI B16.1 125lbs 3
D	Ejecución de sistema hidráulico D = lado de aspiración perforado según DIN N = lado de aspiración perforado según ANSI (North American Standard)
A	Ejecución de material "sistema hidráulico" A = ejecución estándar Y = ejecución especial
110	Determinación de sistema hidráulico
E	Ejecución del motor E = motor en seco R = motor en seco con potencia reducida
A	Ejecución de material "sistema hidráulico" A = ejecución estándar Y = ejecución especial
D	Ejecución del sellado D = 2 cierres mecánicos independientes B = junta de cartucho
1	Clase de eficiencia energética IE, p. ej.: 1 = IE1 (según IEC 60034-30)
F	Con homologación para uso en zonas explosivas: X = ATEX F = FM C = CSA
2	Número de polos
T	Ejecución de la alimentación eléctrica M = 1~ T = 3~
0015	/10 = potencia nominal del motor P_2 en kW
6	Frecuencia 5 = 50 Hz 6 = 60 Hz
46	Clave de tensión nominal
O	Equipamiento eléctrico adicional O = con extremo de cable libre P = con enchufe

3.7. Suministro

Artículos estándar

- Bomba con 40 ft (12,5 m) de cable
- Ejecución de corriente monofásica con cuadro de condensado y extremo de cable libre
- Ejecución de corriente trifásica con
 - extremo de cable libre
 - enchufe CEE
- Instrucciones de instalación y funcionamiento

Artículos configurados libremente

- Bomba con longitud de cable según los requisitos del cliente
- Ejecución del cable
 - con extremo de cable libre
 - con enchufe
 - con interruptor de flotador y extremo de cable libre
 - con interruptor de flotador y enchufe
- Instrucciones de instalación y funcionamiento

3.8. Accesorios

- Longitudes de cable de hasta 160 ft (50 m) en tramos fijos de 40 ft (12,5 m) o bien longitudes de cable según los requisitos del cliente
- Dispositivo de fijación
- Pie de bomba
- Electrodo de varilla externo para control de la sección impermeable
- Controles de nivel
- Accesorios de fijación y cadenas
- Cuadros, relés y enchufes
- Recubrimiento Ceram
- Control térmico del motor con sensores PTC

4. Transporte y almacenamiento

4.1. Entrega

Tras la recepción de la mercancía, se debe comprobar inmediatamente si se han producido daños en el envío y si éste está completo. En caso de que se detecten defectos, debe informarse en el mismo día de la recepción a la empresa de transportes o al fabricante, ya que de otro modo las reclamaciones no serán válidas. Los daños que se hayan producido deben quedar señalados en el documento de transporte.

4.2. Transporte

Para el transporte deben utilizarse exclusivamente los medios de fijación, transporte y elevación previstos y homologados. Deben tener una capacidad de carga suficiente para poder transportar la bomba con seguridad. Si se utilizan cadenas, deben asegurarse para evitar que resbalen.

El personal debe estar cualificado y debe cumplir todas las normas de seguridad nacionales vigentes mientras realiza estos trabajos.

El fabricante o el proveedor entregan las bombas en un embalaje adecuado. Por lo general, de este modo se excluyen posibles deterioros durante el transporte y almacenamiento. Si se va a cambiar con frecuencia el lugar de servicio, recomendamos conservar bien el embalaje.

4.3. Almacenamiento

Las bombas están preparadas de modo que pueden almacenarse durante 1 año como mínimo. En caso de un almacenamiento transitorio, la bomba deberá limpiarse a fondo antes de almacenarla.

Para el almacenamiento se debe respetar lo siguiente:

- Instalar la bomba de manera estable sobre una base firme y asegurarla para que no pueda caerse o resbalarse. Las bombas de motor sumergible de aguas residuales se almacenan en posición vertical.



¡PELIGRO de caída de la bomba!
La bomba nunca debe colocarse sin asegurar.
Peligro de lesiones por la caída de la bomba.

- Nuestras bombas pueden almacenarse a una temperatura máx. de +5 °F (-15 °C). El recinto de almacenamiento debe estar seco. Recomendamos un almacenamiento en recinto protegido ante las heladas con temperaturas entre 41 °F (5 °C) y 77 °F (25 °C).
- La bomba no debe almacenarse en recintos en los que se realicen trabajos de soldadura, ya que los gases o las radiaciones que se producen pueden dañar las piezas y los recubrimientos de elastómeros.
- Las conexiones de succión y de impulsión deben cerrarse firmemente para evitar la entrada de suciedad.
- Todos los cables de entrada de corriente deben protegerse contra la formación de pliegues, posibles deterioros y la entrada de humedad.



¡PELIGRO por corriente eléctrica!
¡Peligro de muerte por cables de entrada de corriente defectuosos! Los electricistas cualificados deben cambiar inmediatamente el cableado defectuoso.

¡CUIDADO con la humedad!
Si penetra humedad en el cable, tanto el cable como la bomba sufrirán daños. No sumerja nunca el extremo del cable en un líquido y protéjalo para evitar que entre la humedad.

- La bomba se debe proteger de la radiación solar directa, el calor, el polvo y las heladas. El calor o el hielo puede provocar daños considerables en los rodets y recubrimientos.
- Los rodets deben girarse a intervalos regulares. De este modo se evita el agarrotamiento de los

cojinetes y renovar la capa de lubricante del cierre mecánico.



¡ADVERTENCIA por cantos afilados!
Los rodets y aberturas del sistema hidráulico pueden formar cantos afilados. ¡Peligro de lesiones! Utilizar los elementos de protección corporal necesarios, como guantes de seguridad.

- Después de un largo periodo de almacenamiento largo y antes de ponerla en marcha, se debe limpiar la bomba para eliminar partículas de suciedad, como polvo o depósitos de aceite. Comprobar que los rodets giran con facilidad y que los recubrimientos de la carcasa no presentan daños.

Antes de la puesta en marcha, comprobar el nivel de llenado de la cámara de obturación y rellenar en caso necesario.

Los recubrimientos defectuosos deben remendarse inmediatamente. Únicamente un recubrimiento intacto cumple con su objetivo final.

Debe tenerse en cuenta que las piezas de elastómero y los recubrimientos son frágiles por naturaleza. Si desea almacenar el equipo durante más de 6 meses, recomendamos comprobar estas piezas y, en caso necesario, cambiarlas. Consulte para ello al fabricante.

4.4. Devolución

Las bombas que se devuelvan a la fábrica deberán estar limpias y correctamente embaladas. Correctamente significa que se ha limpiado la suciedad de las bombas y, si se han utilizado fluidos peligrosos para la salud, que se han descontaminado.

Las piezas se deben cerrar herméticamente en sacos de plástico suficientemente grandes y resistentes a la rotura, y se deben embalar de forma segura para su expedición. Además, el embalaje debe proteger la bomba frente a posibles daños durante el transporte. Si tiene cualquier pregunta, póngase en contacto con el fabricante.

5. Instalación

A fin de evitar daños en el producto o lesiones graves durante la instalación, se deben tener en cuenta los siguientes puntos:

- Los trabajos de montaje e instalación de la bomba solamente puede realizarlos personal cualificado respetando las indicaciones de seguridad.
- Antes de empezar los trabajos de instalación, se debe comprobar si la bomba ha sufrido daños durante el transporte.

5.1. Generalidades

Para la planificación y el funcionamiento de instalaciones de saneamiento se han de respetar las normativas y las directivas locales pertinentes referentes a la técnica de evacuación de aguas resi-

duales (p. ej. Asociación Técnica alemana de Aguas Residuales, ATV).

Especialmente para los tipos de ejecución fijos, se advierte sobre la aparición de golpes de ariete en caso de que se realice una impulsión con tuberías de impulsión largas (principalmente si hay una cuesta prolongada o una inclinación pronunciada).

Los golpes de ariete pueden destruir la bomba/instalación y provocar contaminación acústica por el golpeteo de las válvulas. Esto puede evitarse si se aplican las medidas adecuadas (como la instalación de válvulas antirretorno con tiempo de cierre ajustable o el tendido especial de la tubería de impulsión).

Tras la impulsión de agua con cal, barro o cemento, las bombas utilizadas deben lavarse con agua limpia para evitar posibles incrustaciones y, por tanto, futuras averías.

Si se está utilizando un control de nivel, se debe tener en cuenta el recubrimiento mínimo de agua. Evitar la formación de burbujas de aire en la carcasa del sistema hidráulico o en el sistema de tuberías; en caso de que se constate la presencia de burbujas, estas deben eliminarse con los dispositivos de purga apropiados y/o inclinando ligeramente la bomba (en caso de que se trate de una instalación portátil). Proteger la bomba frente a las heladas.

5.2. Tipos de instalación

- Instalación sumergida fija dispuesta en vertical con dispositivo de fijación
- Instalación sumergida portátil dispuesta en vertical con pie de bomba
- Instalación en seco fija dispuesta en vertical

5.3. Montaje



¡PELIGRO de caída!
Al montar la bomba y sus accesorios existe la posibilidad de tener que trabajar directamente en el borde del depósito o el pozo. Si no se presta atención o no se lleva la ropa adecuada, se pueden producir caídas. ¡Peligro de muerte!
Deben tomarse todas las medidas de seguridad necesarias para evitarlo.

Al montar la bomba se debe tener en cuenta lo siguiente:

- El personal cualificado debe realizar estos trabajos y el electricista debe realizar los trabajos en el sistema eléctrico.
- El lugar de trabajo debe estar limpio, libre de sólidos gruesos, seco, protegido contra las heladas y, dado el caso, descontaminado; asimismo, debe diseñarse para la correspondiente bomba.
- Como medida preventiva, durante la realización de trabajos en pozos debe haber presente una segunda persona. Si existe el peligro de que se acumulen gases tóxicos o asfixiantes, se deberán tomar las medidas necesarias para evitarlo.

- En función de las condiciones del entorno existentes durante el funcionamiento, el diseñador de la instalación deberá determinar el tamaño del pozo y el tiempo de enfriamiento del motor.
- Debe garantizarse que se pueda montar sin dificultad un medio de elevación, puesto que es necesario para el montaje/desmontaje de la bomba. El lugar de uso e instalación de la bomba debe ser accesible con el medio de elevación sin que ello cause ningún peligro. El lugar de instalación debe tener una base sólida. Para transportar la bomba, el medio de suspensión de cargas debe fijarse en las argollas de elevación o el asa de transporte especificados. Si se utilizan cadenas, éstas deben unirse a las argollas de elevación o el asa de transporte mediante un grillete. Solamente pueden utilizarse medios de fijación autorizados.
- Los cables de entrada de corriente deben tenderse de modo que el funcionamiento no cause ningún peligro y que en todo momento se puedan realizar el montaje/desmontaje sin ningún problema. La bomba nunca debe transportarse tirando del cable de entrada de corriente. Compruebe si la longitud de cable disponible es suficiente para la sección de cable utilizada y para el tipo de instalación seleccionada.
- En caso de utilizar cuadros, deberá respetarse el correspondiente tipo de protección. Por lo general, los cuadros deben instalarse fuera áreas con riesgo de explosión y de tal manera que estén protegidos contra las inundaciones.
- En caso de que se utilicen en atmósferas explosivas, deberá garantizarse que tanto la bomba como todos los accesorios están autorizados para estos campos de aplicación.
- Los elementos constructivos y cimientos deben tener la suficiente resistencia como para permitir una fijación segura que garantice el funcionamiento. El operador o el distribuidor son responsables de la idoneidad de los cimientos y de que éstos tengan unas dimensiones, resistencia y capacidad de carga suficientes.
- En caso de que la carcasa del motor deje de estar sumergida en el fluido durante el funcionamiento, deberá establecerse el modo de funcionamiento en la superficie.
Para conseguir el grado de refrigeración necesario en motores en seco durante el modo de funcionamiento S3, los motores que salgan a la superficie deberán inundarse por completo antes de una nueva conexión.
- Está completamente prohibida la marcha en seco de la bomba. El nivel de agua no debe ser inferior al mínimo indicado. Por este motivo, en caso de que se produzcan grandes variaciones de nivel, recomendamos la instalación de un control de nivel o de una protección contra marcha en seco.
- Utilizar placas directrices y desviadoras en la entrada del fluido. En cuanto el chorro de agua alcance la

superficie, entrará aire en el fluido y este aire puede acumularse en el sistema de tuberías. Esto puede provocar condiciones de funcionamiento no admisibles y la desconexión de la instalación completa.

- Compruebe que la documentación de planificación disponible (planos de montaje, ejecución del lugar de instalación, condiciones de entrada) está completa y es correcta.
- Respete también todos los reglamentos, las normas y las leyes válidas para trabajar con cargas pesadas y debajo de cargas suspendidas. Lleve el equipo de protección personal adecuado.
- Respete también las normas de prevención de accidentes y las normativas de seguridad de las asociaciones profesionales válidas en el país de instalación.

5.3.1. Trabajos de mantenimiento

Tras un periodo de almacenamiento de más de 6 meses, deben realizarse los siguientes trabajos de mantenimiento antes de la instalación:

- Girar el rodete
- Comprobar el nivel de aceite en la cámara de obturación

Girar el rodete

1. Colocar la bomba en horizontal sobre una base resistente.

Asegurarse de que la bomba no se puede caer y/o resbalar.

2. Introducir las manos con cuidado por la parte inferior de la carcasa del sistema hidráulico y girar el rodete.



¡ADVERTENCIA por cantos afilados! Los rodetes y aberturas del sistema hidráulico pueden formar cantos afilados. ¡Peligro de lesiones! Utilizar los elementos de protección corporal necesarios, como guantes de seguridad.

Control del nivel de aceite en la cámara de obturación

La cámara de obturación dispone de una abertura para vaciarla y rellenarla.

1. Colocar la bomba en horizontal sobre una base resistente, de modo que el tapón roscado esté hacia arriba.

Asegurarse de que la bomba no se puede caer y/o resbalar.

2. Desenroscar el tapón roscado (véase la Fig. 8).
3. El material de servicio debe estar a aproximadamente 0,4 in (1 cm) por debajo de la abertura del tapón roscado.
4. Llenar la cámara de obturación con aceite en caso de que el nivel sea demasiado bajo. Para ello, seguir las indicaciones del capítulo "Mantenimiento", apartado "Cambio de aceite".

5. Limpiar el tapón roscado, colocar un anillo de obturación nuevo si es necesario, y volver a enroscarlo.

5.3.2. Instalación sumergida fija

La instalación sumergida requiere la colocación de dispositivo de fijación. Este dispositivo debe solicitarse por separado al fabricante. En este dispositivo se conecta el sistema de tuberías del lado de impulsión.

El sistema de tuberías conectado debe ser autoportante, por lo que no debe apoyarse en el dispositivo de fijación.

El lugar de trabajo debe diseñarse de tal manera que permita un montaje y funcionamiento sin problemas del dispositivo de fijación.

En caso de que el motor deba salir a la superficie durante el funcionamiento, tienen que respetarse estrictamente los siguientes parámetros de funcionamiento:

- La **temperatura máxima del fluido y la temperatura ambiente es de 104 °F (40 °C)**.
- Datos relativos al "Modo de funcionamiento en la superficie".

Fig. 2.: Instalación sumergida

1	Dispositivo de fijación	6	Medios de fijación
2	Válvula antirretorno	7a	Nivel de agua mín. para el funcionamiento sumergido
3	Llave de corte	7b	Nivel de agua mínimo para funcionamiento en la superficie*
4	Curva de tubo	8	Chapa protectora anti-choque
5	Tubo guía (ajuste a cargo del propietario)	9	Entrada
A	Distancias mínimas durante el funcionamiento en paralelo		
B	Distancias mínimas durante el modo de alternancia		

Distancia "A"

DN 50	308 mm
DN 65	385 mm
DN 80	615 mm
DN 100	615 mm

Pasos de trabajo

1. Instalación del dispositivo de fijación: aprox. 3-6 h (consultar al respecto las instrucciones de instalación y funcionamiento del dispositivo de fijación).
2. Preparación de la bomba para el funcionamiento sobre un dispositivo de fijación: aprox. 1-3 h (consultar al respecto las instrucciones de instalación y funcionamiento del dispositivo de fijación).

3. Instalación de la bomba: aprox. 3–5 h
 - Comprobar que el dispositivo de fijación esté fijo y que su funcionamiento es correcto.
 - Fijar el equipo de elevación en la bomba utilizando un grillete, levantarlo y depositarlo lentamente sobre los tubos guía del lugar de trabajo.
 - Al depositarlo, mantener los cables de entrada de corriente ligeramente tensados.
 - En cuanto la bomba esté acoplada en el dispositivo de fijación, proteger correctamente los cables de entrada de corriente contra posibles caídas y daños.
 - La conexión eléctrica debe realizarla un electricista.
 - La conexión de impulsión se obtura por su propio peso.
4. Instalar accesorios opcionales, como la protección contra marcha en seco o los controles de nivel.
5. Puesta en marcha de la bomba: aprox. 2–4 h
 - Conforme a lo indicado en el capítulo “Puesta en marcha”.
 - En caso de nueva instalación: inundar el lugar de trabajo
 - Purgar la tubería de impulsión

5.3.3. Instalación sumergida portátil

En este tipo de instalación, la bomba debe equiparse con un pie de bomba (disponible opcionalmente). Este pie se coloca en la boca de aspiración y garantiza que se mantiene una distancia mínima con respecto al suelo, además de servir como apoyo en bases resistentes. Esta ejecución permite su colocación en cualquier sitio del lugar de trabajo. Si se aplica en lugares de trabajo con bases blandas, deberá utilizarse un soporte rígido para evitar que se hunda. Debe acoplarse una manguera de impulsión del lado de impulsión.

En caso de que este tipo de instalación se vaya a poner en funcionamiento durante un periodo de tiempo prolongado, la bomba deberá fijarse al suelo. Esta medida evita las vibraciones y garantiza un funcionamiento silencioso y con poco desgaste.

En caso de que el motor deba salir a la superficie durante el funcionamiento, tienen que respetarse estrictamente los siguientes parámetros de funcionamiento:

- La **temperatura máxima del fluido y la temperatura ambiente** es de **104 °F (40 °C)**.
- Datos relativos al “Modo de funcionamiento en la superficie”.



¡ATENCIÓN a las quemaduras!

Las partes de la carcasa pueden alcanzar una temperatura de más de 104 °F (40 °C). Peligro de quemaduras. Tras la desconexión, dejar que la bomba se enfríe a temperatura ambiente.

Fig. 3.: Instalación portátil

1	Medios de suspensión de cargas	5	Acoplamiento de manguera Storz
2	Pie de bomba	6	Manguera de impulsión
3	Curva de tubo para conexión de manguera o acoplamiento fijo Storz	7a	Nivel de agua mín. para el funcionamiento sumergido
4	Acoplamiento fijo Storz	7b	Nivel de agua mín. para el funcionamiento en la superficie

Pasos de trabajo

1. Preparación de la bomba: aprox. 1 h
 - Montar el pie de bomba en la conexión de succión.
 - Montar la curva de tubo en la conexión de impulsión.
 - Fijar la manguera de impulsión en la curva de tubo utilizando abrazaderas de manguera. Como alternativa, puede montarse un acoplamiento fijo Storz en la curva de tubo y un acoplamiento de manguera Storz en la manguera de impulsión.
2. Instalación de la bomba: aprox. 1–2 h
 - Posicionar la bomba en el lugar de empleo. En caso necesario, fijar el equipo de elevación en la bomba utilizando un grillete, levantarlo y depositarlo en el lugar de trabajo previsto (pozo, fosa).
 - Comprobar que la bomba está en vertical y sobre una base resistente. Debe evitarse un posible hundimiento.
 - Tender el cable de entrada de corriente de tal manera que no sufra daños.
 - La conexión eléctrica debe realizarla un electricista.
 - Tender la manguera de impulsión de tal manera que no sufra daños y fijarla en el lugar especificado (por ejemplo el desagüe).
3. Puesta en marcha de la bomba: aprox. 1–3 h
 - Conforme a lo indicado en el capítulo “Puesta en marcha”.



¡PELIGRO por separación de la manguera de impulsión!

La separación o el desprendimiento descontrolados de la manguera de impulsión pueden provocar lesiones. Por este motivo, la manguera de impulsión deberá asegurarse. Debe evitarse el pandeo de la manguera de impulsión.

5.3.4. Instalación en seco fija

Este tipo de instalación requiere un lugar de trabajo dividido en colector y cuarto de máquinas. En el colector se acumula el fluido, mientras que el cuarto de máquinas alberga la bomba. El lugar de trabajo debe prepararse conforme a las indicaciones mencionadas en el dimensionamiento o el asistente de

planificación del fabricante. La bomba se acopla en el lugar especificado del cuarto de máquinas tanto al lado de aspiración como al de impulsión del sistema de tuberías. La propia bomba no está sumergida en el fluido.

El sistema de tuberías del lado de aspiración y de impulsión debe ser autoportante, por lo que no debe apoyarse en la bomba. Asimismo, la bomba debe conectarse en el sistema de tuberías sin tensión ni vibraciones. Por este motivo, recomendamos utilizar manguitos de conexión de plástico.

Deben respetarse los siguientes parámetros de funcionamiento para la instalación en seco:

- La **temperatura máxima del fluido y la temperatura ambiente** es de **104 °F (40 °C)**.
- Datos relativos al "Modo de funcionamiento en la superficie".

La bomba no es autoaspirante, por lo que la carcasa del sistema hidráulico debe llenarse por completo con fluido. El nivel mínimo disponible en el colector debe estar a la misma altura que el borde superior de la carcasa del sistema hidráulico.



¡ATENCIÓN a las quemaduras!
Las partes de la carcasa pueden alcanzar una temperatura de más de 104 °F (40 °C). Peligro de quemaduras. Tras la desconexión, dejar que la bomba se enfríe a temperatura ambiente.

Fig. 4.: Instalación en seco fija

1	Colector	5	Compensador
2	Cuarto de máquinas	6	Bomba
3	Llave de corte	7	Nivel de agua mínimo
4	Válvula antirretorno	8	Protección contra marcha en seco

Pasos de trabajo

1. Instalación de la bomba: aprox. 3-5 h
 - Comprobar el asiento fijo del sistema de tuberías.
 - Fijar el equipo de elevación en la bomba utilizando un grillete, levantarlo y depositarlo lentamente sobre el sistema de tuberías.
 - Prestar atención a los cables de entrada de corriente durante la colocación.
 - En cuanto la bomba esté sobre la tubería, fijarla al sistema de tuberías tanto en el lado de aspiración como en el de impulsión.
 - Tender los cables de entrada de corriente siguiendo los reglamentos locales aplicables.
 - La conexión eléctrica debe realizarla un electricista.
2. Instalar accesorios opcionales, como la protección contra marcha en seco o los controles de nivel.
3. Puesta en marcha de la bomba: aprox. 2-4 h
 - Conforme a lo indicado en el capítulo "Puesta en marcha".
 - Abrir la compuerta del lado de aspiración y de impulsión.

- Purgar la tubería de impulsión.

5.3.5. Control de nivel

El control de nivel permite informar sobre los niveles de llenado y conectar o desconectar automáticamente la bomba. El registro de los niveles de llenado puede realizarse mediante interruptores de flotador, mediciones de presión y ultrasonidos o bien electrodos.

Se deben respetar las siguientes indicaciones:

- Al utilizar interruptores de flotador, se debe garantizar que estos pueden moverse libremente por el lugar de trabajo.
- El nivel de agua no debe ser inferior al mínimo indicado.
- No se debe sobrepasar la frecuencia de arranque máxima.
- Si los niveles de llenado son muy variables, se deberá realizar un control de nivel a través de dos puntos de medición. De este modo pueden conseguirse diferencias de conexión superiores.

Instalación

En las instrucciones de instalación y funcionamiento del control de nivel se incluyen indicaciones sobre su correcta instalación.

Respetar los datos relativos a la frecuencia arranque máxima y al nivel de agua mínimo.

5.4. Protección contra marcha en seco

En función del modo de funcionamiento, la bomba deberá sumergirse en el fluido para garantizar la refrigeración necesaria. Asimismo, deberá garantizarse obligatoriamente que no entra aire en la carcasa del sistema hidráulico.

Para ello, la bomba debe sumergirse siempre en el fluido hasta la misma altura del borde superior de la carcasa del sistema hidráulico o bien del borde superior de la carcasa del motor. Para garantizar la máxima fiabilidad, recomendamos la instalación de una protección contra marcha en seco.

Esta protección se consigue con interruptores de flotador o electrodos. El interruptor de flotador o el electrodo se fija en el pozo y desconecta la bomba en caso de que en caso de que el nivel de recubrimiento del agua no alcance el mínimo especificado. Si los niveles de llenado son muy variables y la protección contra marcha en seco se realiza solamente con un flotador o electrodo, existe la posibilidad de que la bomba se conecte y desconecte continuamente. Esto puede provocar que se supere la cantidad máxima de arranques (ciclos de conmutación) del motor.

5.4.1. Soluciones para evitar ciclos de conmutación elevados

- Restauración manual
En este caso, el motor se desconecta tras superarse el nivel de recubrimiento mínimo del agua y debe

volver a conectarse manualmente en cuanto el nivel de agua sea suficiente.

- Punto separado para una nueva conexión
Gracias a la disposición de un segundo punto de conmutación (flotador o electrodo) se consigue establecer suficiente diferencia entre el nivel parada y el nivel arranque. De este modo se evita una conmutación continua. Esta función se consigue gracias a un relé de control del nivel.

5.5. Conexión eléctrica



¡PELIGRO de muerte por corriente eléctrica!
Una conexión eléctrica inadecuada supone peligro de muerte por electrocución. La conexión eléctrica solo puede realizarla un electricista autorizado por la compañía eléctrica local en cumplimiento de las normativas locales vigentes.



PELIGRO por conexión incorrecta.
En el caso de aquellas bombas homologadas para áreas con riesgo de explosión, la conexión del cable de entrada de corriente debe realizarse fuera de las áreas con riesgo de explosión o dentro de una carcasa con un tipo de protección contra encendido autorizada. En caso de no respetarse lo anterior, existe peligro de muerte debido a explosiones.

- Confiar siempre la conexión a un electricista.
- ¡Tener en cuenta también la información adicional incluida en el anexo!

- La corriente y la tensión de la alimentación eléctrica deben corresponderse con los datos de la placa de características.
- Colocar el cable de entrada de corriente eléctrica conforme a las normas/reglamentos vigentes y conectarlo siguiendo la asignación de hilos.
- Los dispositivos de control disponibles, por ejemplo para el control térmico del motor, deben conectarse y someterse a una prueba de funcionamiento.
- En el caso de los motores trifásicos, debe estar disponible un campo giratorio hacia la derecha.
- Conectar la bomba a tierra tal y como establecen las prescripciones.

Las bombas de montaje fijo deben conectarse a tierra conforme a la normativa nacional vigente. En caso de que se disponga de una conexión separada del conductor protector, esta debe acoplarse en el orificio indicado o en el borne de puesta a tierra (⊕) utilizando tornillos, tuercas, arandelas y arandelas dentadas apropiados. Debe preverse una sección de cable para la conexión del conductor protector que respete los reglamentos locales.

- **Deberá utilizarse un guardamotor en motores con extremo de cable libre.** Se recomienda utilizar un interruptor diferencial (RCD).
- Los cuadros se pueden adquirir como accesorios.

5.5.1. Protección por fusible en el lado de la red

El fusible de línea necesario debe estar dimensionado conforme a la corriente de arranque. Consultar la corriente de arranque en la placa de características. Como fusibles de línea solo se pueden utilizar fusibles de acción lenta o fusibles automáticos con característica K.

5.5.2. Comprobación de la resistencia de aislamiento y de los dispositivos de control antes de la puesta en marcha

En caso de que los valores medidos difieran de las especificaciones, es posible que sea indicativo de la entrada de humedad en el motor o el cable de entrada de corriente o bien de un defecto en el dispositivo de control. Desconectar la bomba y ponerse en contacto con el servicio técnico de Wilo.

Resistencia de aislamiento del bobinado del motor

Comprobar la resistencia de aislamiento antes de conectar el cable de entrada de corriente. Esta resistencia puede medirse con un comprobador del aislamiento (tensión continua de medición = 1000 V):

- Para la puesta en marcha inicial: la resistencia de aislamiento no debe ser inferior a 20 MΩ.
- Para otras mediciones: el valor debe ser superior a 2 MΩ.

En los motores con condensador integrado, los bobinados deben cortocircuitarse antes de la comprobación.

Regulador de temperatura y electrodo de varilla disponible opcionalmente para el control de la sección impermeable

Comprobar los dispositivos de control con un ohmímetro antes de su conexión. Deben respetarse los siguientes valores:

- Sensor bimetálico: valor igual al paso "0".
- Sensor PTC/termistor: El termistor dispone de una resistencia al frío de entre 20 y 100 ohmios. Con 3 sensores colocados en serie dará como resultado un valor de 60 a 300 ohmios. Con 4 sensores colocados en serie dará como resultado un valor de 80 a 400 ohmios.
- Electrodo de varilla: el valor debe tender a "infinito". Si los valores son inferiores, es indicativo de la presencia de agua en el aceite. Tener también en cuenta las indicaciones del relé de evaluación disponible opcionalmente.

5.5.3. Motor monofásico

Fig. 5.: Esquema de conexión

L	Alimentación eléctrica	DK	Control de estanqueidad del compartimento de motor
N			
20	Sensor bimetálico	Cr	Condensador de servicio
21		PE	Tierra

La ejecución de corriente monofásica está equipada con un cuadro de condensador (condensador de servicio) y extremos de cables libres.

La conexión a la red eléctrica se consigue mediante su enclavamiento en el cuadro.

La conexión eléctrica debe realizarla un electricista.

Los hilos del cable de conexión se asignan de la siguiente manera:

Cable de conexión de 7 hilos	
Número de hilo	Borne
1	Control de temperatura del bobinado
2	
3	L (U1/Z1)
4	N (U2)
5	Z2 - conexión para el condensador de servicio
6	Control de estanqueidad del compartimento de motor
verde/amarillo (gn-ye)	Tierra (PE)

En caso de que la bomba esté equipada con un enchufe, la conexión a la red eléctrica se realiza insertando el enchufe en la caja de enchufe.

5.5.4. Motor trifásico

Fig. 6.: Esquema de conexión con sensor bimetálico

L1	Alimentación eléctrica	DK	Control de estanqueidad del compartimento de motor
L2			
L3			
PE	Tierra	21	Sensor bimetálico

Fig. 7.: Esquema de conexión con sensor PTC

L1	Alimentación eléctrica	DK	Control de estanqueidad del compartimento de motor
L2			
L3			
PE	Tierra	11	Sensor PTC (de conformidad con la norma DIN 44082)

La ejecución de corriente trifásica se suministra con extremos de cable libres. La conexión a la red eléctrica se consigue mediante su enclavamiento en el cuadro.

La conexión eléctrica debe realizarla un electricista.

Los hilos del cable de conexión se asignan de la siguiente manera:

Cable de conexión de 7 hilos	
Número de hilo	Borne
1	Control de temperatura del bobinado
2	
3	U
4	V
5	W
6	Control de estanqueidad del compartimento de motor
verde/amarillo (gn-ye)	Tierra (PE)

En caso de que la bomba esté equipada con un enchufe, la conexión a la red eléctrica se realiza insertando el enchufe en la caja de enchufe.

Las asignación de hilos especificada es válida para las bombas estándar de la serie PRO.

La asignación de hilos de las bombas libremente configuradas de la serie PRO pueden consultarse en el esquema de conexión incluido en estas instrucciones.

5.5.5. Conexión de los dispositivos de control



¡PELIGRO de muerte por explosión!
Peligro de muerte en áreas con riesgo de explosión en caso de que estos dispositivos de control no se acoplen correctamente. Confiar siempre la conexión a un electricista. Durante la aplicación de la bomba en áreas con riesgo de explosión, tiene validez lo siguiente:

- El control de temperatura debe conectarse a través de un relé de evaluación. Recomendamos utilizar el relé "CM-MSS". En este caso, el valor umbral ya se ha ajustado con antelación.
- La desconexión con el delimitador de la temperatura debe realizarse utilizando un bloqueo de reconexión manual. Es decir, solamente debe poder conectarse de nuevo si se acciona manualmente la "tecla de desbloqueo".
- El electrodo de varilla destinado al control de la sección impermeable debe conectarse con el relé de evaluación a través de un circuito eléctrico intrínsecamente seguro. Recomendamos utilizar el relé "XR-42x". El valor umbral es de 30 kilohmios.
- ¡Tener en cuenta también la información adicional incluida en el anexo!

Todos los dispositivos de control deben estar siempre conectados.

Control de temperatura del motor

La bomba está equipada de serie con un delimitador de la temperatura (control de temperatura de 1 circuito). En cuanto se alcance el valor umbral deberá producirse una desconexión.

En caso de que esté disponible un regulador y delimitador de la temperatura (control de temperatura de 2 circuitos, disponible opcionalmente), el valor inferior **puede** provocar un "Preaviso", mientras que el valor superior **debe** provocar la "Desconexión".

- Si se aplican **fuera de áreas con protección antideflagrante**, los sensores bimetálicos pueden conectarse directamente en el cuadro.
Valores de conexión: máx. 250 V(AC), 2,5 A, $\cos \varphi = 1$
- Los sensores PTC (disponibles opcionalmente/de conformidad con la norma DIN 44082) deben conectarse utilizando un relé de evaluación. Recomendamos utilizar el relé "CM-MSS". En este caso, el valor umbral ya se ha ajustado con antelación. Los daños en el bobinado provocados por un control inadecuado del motor no están incluidos en la garantía.

Control del compartimento de motor

- El control del compartimento de motor debe conectarse a través de un relé de evaluación. Recomendamos utilizar el relé "NIV 101/A". El valor umbral es de 30 kilohmios. En cuanto se alcance el valor umbral deberá producirse una desconexión.

Conexión del electrodo de varilla disponible opcionalmente para el control de la sección impermeable

- Si se aplican **fuera de áreas con protección antideflagrante**, los electrodos de varilla pueden conectarse utilizando el relé "NIV 101/A". El valor umbral es de 30 kilohmios. En cuanto se alcance el valor umbral deberá producirse una desconexión o generarse una advertencia.

¡ATENCIÓN!

Si tan solo se genera una advertencia, la entrada de agua puede provocar el siniestro total de la bomba. Recomendamos siempre proceder con la desconexión.

5.6. Protección de motor y tipos de arranque

5.6.1. Protección de motor

El requisito mínimo para motores con extremos de cable libres es contar con un relé térmico/guardamotor con compensación de temperatura, desconexión diferencial y bloqueo de reconexión, de conformidad con los correspondientes reglamentos nacionales.

En caso de que la bomba se conecte a redes eléctricas con frecuentes averías, recomendamos la instalación a cargo del propietario de dispositivos adicionales de protección (por ejemplo relé de sobretensión, baja tensión o asimetría de fases, protección contra rayos, etc.). Asimismo, recomendamos la instalación de un interruptor diferencial (RCD).

Deben respetarse los reglamentos locales y oficiales al conectar la bomba.

5.6.2. Tipos de arranque

Arranque directo

Con carga plena, se debe ajustar la protección del motor a la corriente asignada conforme a la placa de características. Para el servicio con carga parcial se recomienda ajustar la protección del motor un 5 % por encima de la corriente nominal en el punto de funcionamiento.

Arranque progresivo

- Con carga plena, la protección de motor se debe ajustar a la corriente asignada presente en el punto de funcionamiento. Para el servicio con carga parcial se recomienda ajustar la protección del motor un 5 % por encima de la corriente nominal en el punto de funcionamiento.
- La intensidad absorbida durante todo el funcionamiento debe ser inferior a la intensidad nominal.
- La protección de motor preconectada debe condicionar que el arranque o la parada se realicen en 30 s.
- Para prevenir la disipación de energía durante el funcionamiento, el sistema electrónico de arranque (arranque progresivo) debe puentearse en cuanto se alcance el funcionamiento normal.

Bombas con enchufe

Con carga plena, se debe ajustar la protección del motor a la corriente asignada conforme a la placa de características. Para el servicio con carga parcial se recomienda ajustar la protección del motor un 5 % por encima de la corriente nominal en el punto de funcionamiento.

Los enchufes no están protegidos contra las inundaciones. Tener en cuenta los datos del tipo de protección (IP). La caja de enchufe se debe instalar de modo que esté protegida contra las inundaciones.

5.6.3. Funcionamiento con convertidores de frecuencia

El sistema puede funcionar con convertidores de frecuencia. Tener en cuenta al respecto los datos incluidos en el anexo.

6. Puesta en marcha

El capítulo "Puesta en marcha" contiene todas las instrucciones importantes para el personal de manejo destinadas a lograr una puesta en marcha y un manejo seguros de la bomba.

Deben observarse y comprobarse las siguientes condiciones límite:

- Tipo de instalación
- Modo de funcionamiento
- Nivel de recubrimiento mínimo del agua/profundidad máx. de inmersión

Tras un tiempo de parada prolongado también se deben comprobar estos valores límite y solucionar los defectos que se detecten.

Estas instrucciones deben estar siempre junto a la bomba o bien guardadas en un lugar previsto para ello, de modo que estén siempre accesible para todo el personal de manejo.

Para evitar daños materiales y personales durante la puesta en marcha de la bomba se deben tener en cuenta los siguientes puntos:

- La puesta en marcha de la bomba solamente puede realizarla el personal debidamente formado y cualificado, respetando las indicaciones de seguridad.
- Todo el personal que trabaje con o en la bomba debe haber recibido, leído y comprendido estas instrucciones.
- Todos los dispositivos de seguridad y de parada de emergencia están conectados y se ha comprobado que funcionan perfectamente.
- Los ajustes electrotécnicos y mecánicos deben realizarlos personal cualificado.
- La bomba es adecuada para su aplicación en las condiciones de funcionamiento especificadas.
- No debe haber personas en la zona de trabajo de la bomba. No debe haber personas en la zona de trabajo durante la conexión y/o el funcionamiento.
- Durante la realización de trabajos en pozos debe estar presente una segunda persona. Si existe el peligro de que se generen gases tóxicos, se debe proporcionar una ventilación suficiente.

6.1. Sistema eléctrico

La conexión de la bomba y el tendido de los cables de entrada de corriente se realizan conforme al capítulo "Instalación" y conforme a las prescripciones nacionales vigentes.

La bomba está asegurada y puesta a tierra conforme a la normativa.

¡Tener en cuenta el sentido de giro! Si el sentido de giro no es correcto, la bomba no ofrece el rendimiento indicado y puede sufrir daños.

Todos los dispositivos de control están conectados y se ha comprobado que funcionan perfectamente.



¡PELIGRO por corriente eléctrica!
Peligro de muerte por una conexión eléctrica incorrecta. La conexión de todas las bombas que tengan extremos de cable libres (sin enchufe) debe confiarse a un electricista cualificado.

6.2. Control del sentido de giro

Se ha comprobado y ajustado de fábrica el sentido de giro correcto de la bomba. La conexión debe realizarse conforme a los datos sobre la denominación de los hilos.

La marcha de prueba debe realizarse en condiciones de funcionamiento generales.

6.2.1. Comprobación del sentido de giro

El control del sentido de giro debe confiarse a un electricista local equipado con un dispositivo de comprobación del campo de giro. Para que el sentido de giro sea correcto, debe estar disponible un campo giratorio hacia la derecha.

No está permitido utilizar la bomba con un campo giratorio hacia la izquierda.

6.2.2. En caso de que el sentido de giro sea incorrecto

Si el sentido de giro es incorrecto, para los motores con arranque directo se cambian 2 fases mientras que para los motores con arranque estrella-triángulo deben cambiarse las conexiones de dos bobinados, por ejemplo U1 por V1 y U2 por V2.

6.3. Control de nivel

El control de nivel debe comprobarse utilizando una instalación reglamentaria; asimismo, deberán controlarse los puntos de conmutación. Consultar los datos necesarios tanto en las instrucciones de instalación y funcionamiento del control de nivel como en la documentación de planificación.

6.4. Funcionamiento en áreas con riesgo de explosión

La bomba podrá utilizarse en áreas con riesgo de explosión siempre y cuando estén debidamente identificadas.



¡PELIGRO de muerte por explosión!
Aquellas bombas que no estén debidamente identificadas no pueden utilizarse en áreas con riesgo de explosión. ¡Peligro de muerte por explosión! Antes de utilizarla, comprobar si la bomba presenta la debida autorización:

- Símbolo Ex
- Clasificación Ex, por ejemplo II 2G Ex d IIB T4
- ¡Tener en cuenta también la información adicional incluida en el anexo!

6.5. Puesta en marcha

El montaje debe realizarse correctamente conforme a lo indicado en el capítulo "Montaje". Debe controlarse antes de la conexión.

La presencia de pequeñas fugas de aceite en el cierre mecánico en el momento de la entrega no es importante; no obstante, estas fugas deberán eliminarse antes de la inmersión en el fluido.

No debe haber personas en la zona de trabajo de la bomba. No debe haber personas en la zona de trabajo durante la conexión y/o el funcionamiento.

Las bombas que se hayan volcado deben desconectarse antes de volver a colocarse.



¡PELIGRO de magulladuras!
En el caso de las instalaciones portátiles, la bomba puede caerse durante la conexión y/o el funcionamiento. Asegurarse de que la bomba está sobre una base resistente y que el pie de bomba está correctamente montado.

En el caso de la ejecución con enchufe, deberá respetarse el tipo de protección IP del enchufe.

6.5.1. Antes de la conexión

- Se deben comprobar los siguientes puntos:
 - Guía de cables; sin bucles, ligeramente tensados
 - Temperatura mín./máx. del fluido
 - Profundidad de inmersión máxima
 - El sistema de tuberías del lado de impulsión (manguera, tuberías) debe limpiarse con agua limpia para evitar que los depósitos deriven en obstrucciones.
 - La carcasa del sistema hidráulico debe llenarse por completo con fluido y no debe presentar burbujas de aire. La purga puede realizarse utilizando dispositivos de purga adecuados situados en la instalación o bien utilizando tornillos de purga situados en la boca de impulsión, siempre y cuando estén disponibles.
 - Control de los puntos de conmutación de los controles de nivel o el punto de conmutación disponibles.
 - Comprobar que los accesorios están correctamente colocados y fijados.
- Para la instalación sumergida, deben tenerse en cuenta adicionalmente los siguientes puntos:
 - Limpiar las impurezas más gruesas del foso de bomba.
 - Deben abrirse todas las compuertas del lado de impulsión.
- Para la instalación en seco, deben tenerse en cuenta adicionalmente los siguientes puntos:
 - El sistema de tuberías del lado de aspiración debe limpiarse con agua limpia para evitar que los depósitos deriven en obstrucciones.
 - Deben abrirse todas las compuertas del lado de impulsión y aspiración.

Si las compuertas del lado de impulsión y aspiración están cerradas durante el funcionamiento, el fluido de la carcasa del sistema hidráulico puede calentarse debido al movimiento de impulsión. El calentamiento del fluido provoca la generación de alta presión en la carcasa del sistema hidráulico. Esta presión puede provocar la explosión de la bomba. Antes de la conexión, comprobar que todas las compuertas están abiertas y abrir aquellas que estén cerradas.

6.5.2. Conexión/desconexión

La bomba se conecta y desconecta mediante un elemento de mando (conector/desconector) independiente a cargo del propietario.

La intensidad nominal se supera por poco tiempo durante el proceso de arranque. Una vez finalizado el proceso de arranque, no se puede volver a superar la intensidad nominal.

Desconectar inmediatamente el motor si no se pone en marcha. Antes de volver a realizar la conexión, por un lado deberán respetarse las pausas de conmutación y, por otro, deberá subsanarse la avería en primer lugar.

6.6. Comportamiento durante el funcionamiento

Durante el funcionamiento de la bomba se han de respetar las leyes y reglamentos válidos en el lugar de empleo con respecto a la seguridad en el puesto de trabajo, la prevención de accidentes y el manejo de máquinas eléctricas. Para garantizar un proceso de trabajo seguro, el propietario deberá distribuir el trabajo entre los operadores. Todo el personal es responsable de que se cumplan los reglamentos.

Debido a su construcción, las bombas centrífugas disponen de piezas giratorias libremente accesibles. Dependiendo del tipo de funcionamiento, estas piezas pueden formar cantos afilados.



¡ADVERTENCIA por peligro de magulladuras y cortes!

Las piezas giratorias del sistema hidráulico pueden formar cantos afilados. Estos cantos pueden provocar magulladuras y cortes. No introducir nunca las manos dentro del sistema hidráulico durante el funcionamiento.

Los siguientes puntos deben controlarse a intervalos regulares:

- Tensión de funcionamiento (divergencia admisible de $\pm 5\%$ con respecto a la tensión nominal)
- Frecuencia (divergencia admisible de $\pm 2\%$ con respecto a la frecuencia nominal)
- Intensidad absorbida (divergencia admisible entre las fases de máximo el 5%)
- Diferencia de potencial entre las fases (máximo el 1%)
- Frecuencia y pausas de arranque (véanse los datos técnicos)
- Debe evitarse la penetración de aire en la entrada y, en caso necesario, deberá colocarse una placa desviadora.
- Nivel de recubrimiento mínimo del agua
- Puntos de conmutación del control de nivel o de la protección contra marcha en seco
- Marcha silenciosa
- Todas las compuertas deben estar abiertas

Si las compuertas del lado de impulsión y aspiración están cerradas durante el funcionamiento, el fluido de la carcasa del sistema hidráulico puede calentarse debido al movimiento de impulsión. El calentamiento del fluido provoca la generación de alta presión en la carcasa del sistema hidráulico. Esta presión puede provocar la explosión de la

bomba. Asegurarse de que todas las compuertas están abiertas durante el funcionamiento.

7. Puesta fuera de servicio/eliminación

- Todos los trabajos se deben llevar a cabo prestando mucha atención.
- Se deben llevar puestos los elementos de protección corporal necesarios.
- Respetar las medidas de protección locales correspondientes durante la realización de trabajos en depósitos y/o cisternas. Como medida preventiva, debe estar presente una segunda persona.
- Para elevar y bajar la bomba se deben utilizar equipos de elevación que estén en perfecto estado técnico, así como medios de suspensión de cargas homologados oficialmente.



¡PELIGRO de muerte por funcionamiento incorrecto!
Los medios de suspensión de cargas y los equipos de elevación deben estar en perfecto estado técnico. No se puede empezar a trabajar hasta que el equipo de elevación esté en perfecto estado. ¡Peligro de muerte si no se realizan estas comprobaciones!

7.1. Puesta fuera de servicio temporal

En este tipo de desconexión, la bomba sigue montada y no se desconecta de la red eléctrica. Durante la puesta fuera de servicio temporal, la bomba debe mantenerse completamente sumergida para protegerla de las heladas. Debe garantizarse que la temperatura del lugar de trabajo y del fluido de impulsión no desciendan por debajo de +37 °F (+3 °C). De este modo, la bomba está lista para funcionar en cualquier momento. Si los tiempos de parada son más largos, deberá ponerse en marcha durante 5 minutos a intervalos regulares (cada mes o cada tres meses).

¡ATENCIÓN!

Esta puesta en marcha solamente puede realizarse en condiciones válidas de funcionamiento y aplicación. No está permitida una marcha en seco. El incumplimiento de estos puntos puede provocar un siniestro total.

7.2. Puesta fuera de servicio definitiva para trabajos de mantenimiento o almacenamiento

Apagar la instalación y confiar a un electricista cualificado la desconexión de la bomba de la red eléctrica y su protección contra una reconexión no autorizada. Desenchufar las bombas que dispongan de enchufes (no tirar del cable). Ahora se puede empezar con los trabajos de desmontaje, mantenimiento y almacenamiento.



¡PELIGRO por sustancias tóxicas!
¡Las bombas que transportan fluidos peligrosos para la salud deben descontaminarse antes de realizar el resto de trabajos! De lo contrario, existe peligro de muerte. Llevar el equipo de protección corporal necesario.



¡ATENCIÓN a las quemaduras!
Las partes de la carcasa pueden alcanzar una temperatura de más de 104 °F (40 °C). Peligro de quemaduras. Tras la desconexión, dejar que la bomba se enfríe a temperatura ambiente.

7.3. Desmontaje

7.3.1. Instalación sumergida portátil

En el caso de la instalación sumergida portátil, la bomba puede sacarse de la fosa después de desconectarla de la red eléctrica y de vaciar la tubería de impulsión. Dado el caso, la manguera deberá desmontarse en primer lugar. Dado el caso, deberá utilizarse un dispositivo de elevación adecuado.

7.3.2. Instalación sumergida fija

En el caso de la instalación sumergida fija con dispositivo de fijación, la bomba se saca del pozo utilizando el correspondiente equipo de elevación. Durante el proceso de elevación, el cable de entrada de corriente se debe mantener siempre ligeramente tensado para evitar daños en el mismo.

No es necesario vaciar el lugar de trabajo para realizar este proceso. Todas las compuertas del lado de impulsión y aspiración deben cerrarse para evitar un desbordamiento del lugar de trabajo o bien el vaciado de la tubería de impulsión.

7.3.3. Instalación en seco fija

En el caso de la instalación en seco fija, las compuertas del lado de impulsión y aspiración deben cerrarse antes de proceder con el desmontaje. Durante el desmontaje debe asegurarse de que el fluido de la carcasa del sistema hidráulico sale. Deben colocarse colectores para recoger todo el fluido que salga.

Tras soltar los racores de las conexiones de impulsión y aspiración, la bomba podrá desmontarse utilizando el equipo de elevación adecuado. Una vez finalizado el desmontaje, limpiar a fondo el lugar de trabajo y recoger los posibles vertidos.

7.4. Devolución/almacenamiento

Las piezas se deben cerrar herméticamente en sacos de plástico suficientemente grandes y resistentes a la rotura, y se deben embalar de forma segura para su expedición.

Para devolver y almacenar el sistema, deberá tenerse también en cuenta el capítulo “Transporte y almacenamiento”.

7.5. Eliminación

7.5.1. Material de servicio

Los aceites y lubricantes se recogerán en depósitos adecuados y se eliminarán conforme a las directivas locales.

7.5.2. Ropa protectora

La ropa protectora que se use en los trabajos de limpieza y mantenimiento se eliminará conforme a las directivas locales.

7.5.3. Producto

Eliminando correctamente este producto se evitan daños medioambientales y riesgos para la salud.

- Para eliminar el producto o cualquiera de sus partes, recurrir a las empresas de eliminación de desechos públicas o privadas.
- El ayuntamiento, el órgano competente en materia de eliminación de desechos o el proveedor del producto proporcionarán más información sobre la eliminación correcta del mismo.

8. Mantenimiento



¡PELIGRO de muerte por corriente eléctrica!
Peligro de muerte por electrocución durante la ejecución de trabajos en los equipos eléctricos. Durante la realización de todos los trabajos de mantenimiento y reparación es preciso desconectar la bomba de la red y asegurarla contra una reconexión no autorizada. Los desperfectos en el cable de entrada de corriente únicamente deben repararlos un electricista cualificado.



¡PELIGRO de muerte por la incorrecta ejecución de los trabajos!
Aquellos trabajos de mantenimiento o reparación que puedan afectar a la seguridad de la protección antideflagrante únicamente podrán realizarlos el fabricante o talleres de servicio autorizados,
¡Tener en cuenta también la información adicional incluida en el anexo!

- Antes de proceder con los trabajos de mantenimiento y reparación, la bomba debe desconectarse y desmontarse conforme a las indicaciones del capítulo “Puesta fuera de servicio/eliminación”.
- Una vez finalizados los trabajos de mantenimiento y reparación, la bomba debe montarse y conectarse conforme a las indicaciones del capítulo “Montaje”.

- La puesta en marcha de la bomba debe realizarse conforme a lo indicado en el capítulo “Puesta en marcha”.

Se deben respetar las siguientes indicaciones:

- Todos los trabajos de mantenimiento y reparación deben realizarse con mucho cuidado en un lugar de trabajo seguro y confiarse al servicio técnico de Wilo, talleres de servicio autorizados o personal cualificado con la debida formación. Se deben llevar puestos los elementos de protección corporal necesarios.
- El personal de mantenimiento debe conocer y respetar estas instrucciones. Solamente deben realizarse los trabajos de mantenimiento y reparación aquí indicados.

El resto de trabajos y/o modificaciones estructurales únicamente puede realizarlos el servicio técnico de Wilo.

- Respetar obligatoriamente las medidas de protección locales correspondientes durante la realización de trabajos en depósitos y/o cisternas. Como medida preventiva, debe estar presente una segunda persona.
- Para elevar y bajar la bomba se deben utilizar equipos de elevación que estén en perfecto estado técnico, así como medios de suspensión de cargas homologados oficialmente. Debe garantizarse que la bomba no se queda enganchada durante los procesos de elevación y bajada. Si se enganchase a pesar de ello, no se deben aplicar fuerzas de elevación superiores en 1,2 al peso de la propia bomba. No se debe sobrepasar nunca la capacidad de carga máx. admisible.

Asegurarse de que los medios de fijación, cables y dispositivos de seguridad del equipo de elevación están en perfecto estado técnico. No se puede empezar a trabajar hasta que se garantice que el equipo de elevación está en perfecto estado técnico. ¡Peligro de muerte si no se realizan estas comprobaciones!

- Los trabajos eléctricos en la bomba y la instalación deben realizarlos un electricista. Los fusibles defectuosos deben cambiarse inmediatamente. No deberán repararse bajo ninguna circunstancia. Únicamente pueden utilizarse fusibles con la intensidad de corriente indicada y el tipo especificado.
- Está prohibida la presencia de fuegos o llamas abiertas o incluso fumar si se están utilizando disolventes y detergentes fácilmente inflamables.
- Descontaminar las bombas que están en contacto con fluidos peligrosos para la salud o bien que se utilizan para su transporte. Además deberá descartarse la presencia o generación de gases peligrosos para la salud.

En caso de que se produzcan lesiones por fluidos o gases peligrosos para la salud, se deberán implementar las medidas de socorro determinadas en el

establecimiento y contactar inmediatamente con un médico.

- Asegurarse de que están disponibles las herramientas y el material necesario. El orden y la limpieza garantizan un funcionamiento seguro y sin fallos de la bomba. Tras finalizar los trabajos, retirar el material de limpieza y las herramientas de la bomba. Guardar todos los materiales y herramientas en el lugar previsto para ello.
- Los materiales de servicio deben almacenarse en depósitos apropiados y eliminarse correctamente. Utilizar la ropa protectora adecuada durante la realización de los trabajos de mantenimiento y reparación. Esta también debe eliminarse correctamente.

8.1. Material de servicio

8.1.1. Resumen sobre el aceite blanco

La cámara de obturación está llena con un aceite blanco potencialmente biodegradable.

Para el cambio de aceite, recomendamos los siguientes aceites:

- Aral Autin PL*
 - Shell ONDINA 919
 - Esso MARCOL 52* o bien 82*
 - BP WHITEMORE WOM 14*
 - Texaco Pharmaceutical 30* o bien 40*
- Todos los tipos de aceite marcados con un “*” están autorizados para alimentos de conformidad con “USDA-H1”.

Cantidades de llenado

Las cantidades de llenado dependen del motor:

- P 13.1: 30 oz (900 ml)
- P 13.2: 50 oz (1500 ml)
- P 17: 61 oz (1800 ml)

8.1.2. Vista general de la grasa lubricante

Puede utilizarse la siguiente marca como grasa lubricante de conformidad con la norma DIN 51818/ clase NLGI 3:

- Esso Unirex N3

8.2. Intervalos de mantenimiento

Para garantizar un funcionamiento fiable, deben realizarse periódicamente trabajos de mantenimiento de diferente tipo.

Los intervalos de mantenimiento deben determinarse en función de los esfuerzos a los que está sometida la bomba. Independientemente de los intervalos de mantenimiento determinados, será necesario realizar un control de la bomba o la instalación si se producen fuertes vibraciones durante el funcionamiento.

Para su aplicación en sistemas de elevación de aguas fecales situados en edificios o solares, se deben cumplir los intervalos y trabajos de mantenimiento de conformidad con las directivas

locales. Es necesario comprobar que se cumplan estas exigencias en la propia instalación.

8.2.1. Intervalos para condiciones de funcionamiento normales

2 años

- Control visual del cable de entrada de corriente
- Control visual de los accesorios
- Control visual del recubrimiento y la carcasa para ver si presentan desgaste
- Comprobación de funcionamiento de todos los dispositivos de seguridad y control
- Control del cuadro/relé utilizado
- Cambio de aceite



INDICACIÓN

En caso de que se haya eliminado un control de la sección impermeable, el cambio de aceite se realiza conforme a la indicación.

15000 horas de servicio o a más tardar transcurridos 10 años

- Reparación general

8.2.2. Intervalos para condiciones de funcionamiento difíciles

En condiciones de funcionamiento difíciles, los intervalos de mantenimiento especificados deberán acortarse proporcionalmente. Para ello, ponerse en contacto con el servicio técnico de Wilo. En caso de aplicar la bomba en condiciones de funcionamiento difíciles, recomendamos firmar un contrato adicional de mantenimiento.

Las condiciones de funcionamiento difíciles se producen por:

- La presencia de una gran proporción de fibras o arena en el fluido
- Entrada con turbulencias (condicionada, por ejemplo, por la penetración de aire o cavitación)
- Fluidos muy corrosivos
- Fluidos con una gran formación de gases
- Puntos de funcionamiento desfavorables
- Estados de funcionamiento con peligro de golpes de agua

8.2.3. Medidas de mantenimiento recomendadas para garantizar un funcionamiento sin fricciones

Recomendamos un control regular de la intensidad absorbida y la tensión de funcionamiento en las 3 fases. Estos valores se mantienen constantes durante el funcionamiento normal. Las oscilaciones relativas dependen de la naturaleza del fluido empujado. Gracias a la intensidad absorbida pueden detectarse y subsanarse a tiempo los posibles daños y/o fallos de funcionamiento del rodete, el cojinete y/o el motor. Las fluctuaciones más importantes de tensión ejercen un esfuerzo sobre el bobinado del motor y pueden provocar la avería de la bomba. Así, el control regular permite evitar gran parte de

los daños derivados de esta situación, además de reducir el riesgo de un siniestro total. Respecto al control regular, recomendamos utilizar un control a distancia. Consultar al respecto con el servicio técnico de Wilo.

8.3. Trabajos de mantenimiento

Antes de realizar los trabajos de mantenimiento, debe realizarse lo siguiente:

- Desconectar la bomba de la corriente y asegurarla para evitar una conexión involuntaria.
- Dejar que la bomba se refrigere y limpiarla a fondo
- Asegurarse de que todas las piezas relevantes para el funcionamiento están en buen estado.

8.3.1. Control visual del cable de entrada de corriente

Comprobar los cables de entrada de corriente para detectar la presencia de posibles burbujas, fisuras, arañazos, puntos de desgaste y/o partes aplastadas. En caso de que se constaten daños, poner la bomba inmediatamente fuera de servicio y cambiar los cables de entrada de corriente dañados.

El cambio de los cables solamente debe realizarlo el servicio técnico de Wilo o un taller de servicio certificado. La bomba solamente podrá volver a ponerse en funcionamiento una vez se hayan subsanado correctamente todos los daños.

8.3.2. Control visual de los accesorios

Comprobar que los accesorios están bien colocados y que funcionan correctamente. Los accesorios que estén sueltos y/o defectuosos deberán repararse o cambiarse inmediatamente.

8.3.3. Control visual del recubrimiento y la carcasa para ver si presentan desgaste

Los recubrimientos y las partes de la carcasa no deben presentar daños. En caso de que se detecten daños visuales en los recubrimientos, estos deberán repararse adecuadamente. En caso de que las partes de la carcasa presenten daños visuales deberá ponerse en contacto con el servicio técnico de Wilo.

8.3.4. Comprobación de funcionamiento de los dispositivos de seguridad y control

Los dispositivos de control son, por ejemplo, el regulador de temperatura situado en el motor, electrodos de humedad, relé de protección del motor, relé de sobretensión, etc.

- Los relés de protección de motor y de sobretensión, así como otros mecanismos interruptores pueden activarse manualmente para la comprobación.
- A fin de comprobar los electrodos de varilla o los reguladores de temperatura, dejar que la bomba se refrigere hasta la temperatura ambiente y desconectar el cable de conexión eléctrica del dispositivo de control situado en el cuadro. A continuación, el dispositivo de control se somete a un control utilizando un ohmímetro. Deben medirse los siguientes valores:

- Sensor bimetálico: valor igual al paso "0".
- Sensor PTC/termistor: El termistor dispone de una resistencia al frío de entre 20 y 100 ohmios. Con 3 sensores colocados en serie dará como resultado un valor de 60 a 300 ohmios. Con 4 sensores colocados en serie dará como resultado un valor de 80 a 400 ohmios.
- Electrodo de varilla: el valor debe tender a "infinito". Si los valores son inferiores, es indicativo de la presencia de agua en el aceite. Tener también en cuenta las indicaciones del relé de evaluación disponible opcionalmente.

Consultar con el fabricante en caso de que se presenten divergencias más importantes.

8.3.5. Control del cuadro/relé utilizado

Consultar en las correspondientes instrucciones de funcionamiento los diferentes pasos de trabajo a seguir durante la comprobación del cuadro/relé utilizado. Los dispositivos que presenten defectos deberán cambiarse inmediatamente ya que no garantizan la seguridad de la bomba.

8.3.6. Cambio de aceite en la cámara de obturación

La cámara de obturación dispone de una abertura para vaciarla y rellenarla.



ADVERTENCIA por peligro de lesiones provocados por materiales de servicio calientes y/o bajo presión.

Tras la desconexión, el aceite sigue estando caliente y bajo presión. Esto puede provocar que el tapón roscado salga disparado y se derrame el aceite caliente. ¡Peligro de lesiones o quemaduras! Dejar enfriar primero el aceite a temperatura ambiente.

Fig. 8.: Tapón roscado

1 Tapón roscado

1. Colocar la bomba en horizontal sobre una base resistente, de modo que el tapón roscado esté hacia arriba.
Asegurarse de que la bomba no se puede caer y/o resbalar.
2. Desenroscar lentamente y con cuidado el tapón roscado.
Atención: el material de servicio puede estar bajo presión. Esto puede provocar que el tornillo salga disparado.
3. Girar la bomba hasta que el orificio esté hacia abajo para dejar salir el material de servicio. El material de servicio debe almacenarse en un depósito apropiado y eliminarse conforme a las especificaciones del capítulo "Eliminación".
4. Volver a girar la bomba hasta que el orificio esté de nuevo hacia arriba.

5. Cargar el nuevo material de servicio a través del orificio para el tapón roscado. El aceite debe estar a aproximadamente 0,4 in (1 cm) por debajo de la abertura. Tener en cuenta los materiales de servicio y cantidades de llenado recomendados.
6. Limpiar el tapón roscado, colocar un anillo de obturación nuevo y volver a enroscarlo.

8.3.7. Reparación general

Durante la reparación general, además de los trabajos de mantenimiento comunes, deberán controlarse y, en caso necesario, sustituirse los rodamientos, los sellados del eje, las juntas anulares y los cables de entrada de corriente. Estos trabajos solamente debe realizarlos el fabricante o un taller de servicio autorizado.

9. Búsqueda y solución de averías

Para evitar daños materiales y personales durante la resolución de averías en la bomba, se deben tener en cuenta los siguientes puntos:

- Solucione una avería solo si cuenta con el personal cualificado para ello, es decir, cada una de las tareas debe ser realizada por personal cualificado y debidamente instruido, p. ej., los trabajos eléctricos deben confiarse a un electricista.
- Asegúrese siempre de que la bomba no pueda volver a conectarse de forma involuntaria desconectándola de la red. Deben tomarse las medidas de precaución adecuadas.
- Garantizar en todo momento que la desconexión de seguridad de la bomba la realiza una segunda persona.
- Proteger las partes en movimiento para evitar provocar daños personales.
- Las modificaciones en la bomba que se efectúen por cuenta propia se realizarán asumiendo los riesgos y exoneran al fabricante de cualquier obligación de garantía.

Avería: el complemento no se pone en marcha

1. Interrupción de la alimentación eléctrica, cortocircuito o puesta a tierra del cableado y/o bobinado del motor
 - Confiar a un especialista la comprobación del cableado y el motor; sustituirlos en caso necesario
2. Activación de protecciones, guardamotors y/o dispositivos de control
 - Confiar a un especialista la comprobación y sustitución en caso necesario de las conexiones
 - Montar o instalar los guardamotors y protecciones conforme a las especificaciones técnicas, restablecer los dispositivos de control
 - Comprobar que los rodetes giran con facilidad y, dado el caso, limpiarlos o hacer que vuelvan a girar
3. El control de la sección impermeable (opcional) ha interrumpido el circuito eléctrico (en función del operador)

- Véase la avería: escapes en el cierre mecánico, el control de la sección impermeable notifica una avería o desconecta la bomba

Avería: el complemento funciona; no obstante, el guardamotor se activa poco tiempo después de la puesta en marcha

1. El mecanismo de interrupción térmico del guardamotor está mal ajustado
 - Confiar a un especialista la comprobación o, en caso necesario, la corrección del ajuste del mecanismo de interrupción con respecto a las especificaciones técnicas
2. Aumento de la intensidad absorbida debido a una gran diferencia de potencial
 - Confiar a un especialista la comprobación de los niveles de tensión de cada una de las fases o, en caso necesario, la modificación de la conexión
3. Marcha de 2 fases
 - Confiar a un especialista la comprobación y, en caso necesario, la sustitución de la conexión
4. Excesiva diferencia de potencial en las 3 fases
 - Confiar a un especialista la comprobación y, en caso necesario, la corrección de la conexión
5. Sentido de giro incorrecto
 - Intercambiar las 2 fases del cable de red
6. El giro del rodete está limitado por la presencia de partículas adheridas, acumulaciones y/o sólidos, provocando un aumento de la intensidad absorbida
 - Desconectar la bomba y asegurarla contra una posible reconexión, hacer que el rodete vuelva a girar o limpiar la boca de aspiración
7. La densidad del medio es demasiado alta
 - Consultar con el fabricante

Avería: el complemento funciona, pero no impulsa

1. No hay fluido
 - Abrir las entradas a cisternas o las compuertas
2. Entrada obstruida
 - Limpiar el tubo de acometida, la pieza de aspiración, la boca de aspiración o la rejilla de aspiración
3. Rodete bloqueado o con giro limitado
 - Desconectar la bomba y asegurarla contra una posible reconexión, hacer que el rodete vuelva a girar
4. Manguera/tubería defectuosa
 - Cambiar las partes defectuosas
5. Funcionamiento intermitente
 - Comprobar la insalación de distribución

Avería: el complemento funciona; no obstante, no se respetan los parámetros de funcionamiento especificados

1. Entrada obstruida
 - Limpiar el tubo de acometida, la pieza de aspiración, la boca de aspiración o la rejilla de aspiración
2. Compuertas de la tubería de impulsión cerradas
 - Abrir del todo las compuertas
3. Rodete bloqueado o con giro limitado

- Desconectar la bomba y asegurarla contra una posible reconexión, hacer que el rodete vuelva a girar
- 4. Sentido de giro incorrecto
 - Cambiar las 2 fases del cable de red
- 5. Aire en la instalación
 - Comprobar las tuberías, los revestimientos de presión y/o el sistema hidráulico; purgarlos en caso necesario
- 6. La bomba bombea contra una presión demasiado elevada
 - Comprobar las compuertas de la tubería de impulsión y abrirlas por completo en caso necesario, utilizar otro rodete, consultar con la fábrica
- 7. Presencia de desgaste
 - Cambiar las partes desgastadas
- 8. Manguera/tubería defectuosa
 - Cambiar las partes defectuosas
- 9. Contenido no admisible de gases en el fluido de impulsión
 - Consultar con la fábrica
- 10. Marcha de 2 fases
 - Confiar a un especialista la comprobación y, en caso necesario, la sustitución de la conexión
- 11. Gran descenso del nivel de agua durante el funcionamiento
 - Comprobar el suministro y la capacidad de la instalación, controlar los ajustes y la función del control de nivel

Avería: el complemento funciona de manera inestable y generando muchos ruidos

1. La bomba en un modo de funcionamiento no admisible
 - Comprobar y, en caso necesario, corregir los datos de funcionamiento de la bomba y/o adaptar las condiciones de servicio
2. Las bocas de aspiración, las rejillas de aspiración y/o el rodete están obstruidos
 - Limpiar las bocas de aspiración, las rejillas de aspiración y/o el rodete
3. El rodete funciona con dificultad
 - Desconectar la bomba y asegurarla contra una posible reconexión, hacer que el rodete vuelva a girar
4. Contenido no admisible de gases en el fluido de impulsión
 - Consultar con la fábrica
5. Marcha de 2 fases
 - Confiar a un especialista la comprobación y, en caso necesario, la sustitución de la conexión
6. Sentido de giro incorrecto
 - Cambiar las 2 fases del cable de red
7. Presencia de desgaste
 - Cambiar las partes desgastadas
8. Rodamiento defectuoso
 - Consultar con la fábrica
9. La bomba está montada incorrectamente
 - Comprobar el montaje utilizando en caso necesario compensadores de goma

Avería: escapes en el cierre mecánico, el control de la sección impermeable notifica una avería o desconecta el complemento

1. Formación de agua de condensación debido a un almacenamiento prolongado y/o grandes oscilaciones de temperatura
 - Dejar que la bomba funcione brevemente (máx. 5 min) sin el electrodo de varilla
2. Aumento de los escapes en la entrada de los cierres mecánicos nuevos
 - Realizar un cambio de aceite
3. Cable del electrodo de varilla defectuoso
 - Cambiar el electrodo de varilla
4. Cierre mecánico defectuoso
 - Sustituir el cierre mecánico, consultar con la fábrica

Otros pasos para la solución de averías

Si los puntos anteriores no sirven de ayuda para solucionar la avería, contactar con el servicio técnico de Wilo. Este puede ofrecer lo siguiente:

- Ayuda telefónica y/o por escrito a través del servicio técnico de Wilo.
 - Ayuda in situ a través del servicio técnico de Wilo
 - Comprobación o reparación de la bomba en la fábrica
- Tener en cuenta que algunas de las prestaciones de nuestro servicio técnico pueden conllevar costes adicionales. El servicio técnico de Wilo facilitará información detallada al respecto.

10. Anexo

10.1. Funcionamiento con convertidores de frecuencia

Teniendo en consideración de la norma IEC 60034-17, cada motor se puede utilizar en ejecuciones en serie. En caso de que las tensiones nominales superen 415 V/50 Hz o 480 V/60 Hz, es necesario consultar con la fábrica. Debido al calentamiento provocado por ondas armónicas, la potencia nominal del motor deberá superar la demanda de potencia de la bomba en aproximadamente un 10 %. Para los convertidores de frecuencia con salida sin ondas armónicas, la reserva de potencia del 10 % podrá reducirse si es necesario. Esto se consigue principalmente mediante la utilización de filtros de salida. **Además, los motores estándar no están equipados con cables apantallados.** Los convertidores de frecuencia y los filtros sintonizarse correctamente. Consultar con el fabricante.

El dimensionamiento del convertidor de frecuencia se realiza en función de la corriente nominal del motor. Garantizar que la bomba funciona sin sacudidas y vibraciones, especialmente con un régimen reducido. De lo contrario, los cierres mecánicos pueden sufrir daños o dejar de ser estanco. También se debe tener en cuenta la velocidad de flujo disponible en la tubería. En caso de que la velocidad de flujo sea demasiado baja, aumenta el peligro de que se

formen depósitos de sustancias sólidas en la bomba y la tubería conectada. **Por ello, se recomienda una velocidad de flujo mín. de 2,3 ft/s (0,7 m/s) para una presión de impulsión de 5,8 psi (0,4 bar).**

Es realmente importante que, durante todo el margen de regulación, la bomba funcione sin vibraciones, resonancias, momentos pendulares y ruidos excesivos (en caso necesario, consultar en fábrica). Es normal que el motor haga mucho ruido debido a la alimentación de corriente afectada por ondas armónicas.

Durante la parametrización del convertidor de frecuencia, es obligatorio prestar atención al ajuste de la curva característica cuadrática (curva característica U/f) tanto para las bombas como para los ventiladores. De este modo se consigue adaptar la tensión de salida, con frecuencias superiores a la frecuencia nominal (50 Hz o 60 Hz), a la demanda de potencia de la bomba. Los convertidores de frecuencia actuales también permiten una optimización automática de la energía, ya que consiguen el mismo efecto. Tener en cuenta las instrucciones de instalación y funcionamiento del convertidor de frecuencia durante el ajuste del convertidor.

Posibilidad de averías en el control de aquellos motores alimentados con convertidor de frecuencia, dependiendo del tipo de convertidor y de las condiciones de instalación. Las siguientes medidas generales pueden contribuir a reducir o evitar posibles averías:

- Respetar los valores límite de conformidad con IEC 60034-17 en lo que respecta a picos de tensión y velocidad de aumento (es posible que se necesiten filtros de salida).
- Variación de la frecuencia de pulso del convertidor de frecuencia.
- En caso de que se produzcan averías durante la vigilancia de la cámara de obturación, deberán utilizarse nuestros electrodos de varilla doble.

Las siguientes medidas constructivas también pueden contribuir a la reducción o la prevención de averías:

- Aplicación de cables de entrada de corriente apantallados.

Resumen

- Funcionamiento continuo entre 1 Hz y frecuencia nominal (50 Hz o 60 Hz), teniendo en cuenta la velocidad mínima de flujo
- Respetar las medidas adicionales de conformidad con la CEM (selección de compatibilidad electromagnética, utilización de filtros, etc.)
- No superar nunca ni la velocidad nominal ni la intensidad nominal del motor.
- Debe existir la posibilidad de conectar el dispositivo de vigilancia de la temperatura propio del motor (sensor bimetálico o PTC)

10.2. Homologación para uso en zonas explosivas

Este capítulo incluye información especial para explotadores y operadores de bombas especialmente montadas y certificadas para el funcionamiento en entornos con peligro de explosión.

Este complementa y amplía las indicaciones estándar para esta bomba. Asimismo, también complementa y/o amplía el contenido del capítulo "Indicaciones generales de seguridad", por lo que todos los usuarios y operarios de la bomba deberán leerlas y comprenderlas.

Este capítulo solamente es válido para bombas con una homologación para uso en zonas explosivas, por lo que incluye indicaciones adicionales al respecto.

10.2.1. Identificación de bombas homologadas para zonas explosivas

Las bombas autorizadas para su utilización en atmósferas explosivas se identifican de la siguiente manera en la placa de características:

- Símbolo "Ex" de la correspondiente homologación
- Datos relativos a la clasificación Ex

10.2.2. Homologación según FM

Los motores están certificados por las autoridades de inspección y homologación "FM Approvals" conforme a las normas FMRC 3600, 3615, 3615.80 y ANSI/UL-1004. Estos motores podrán ponerse en funcionamiento en zonas con riesgo de explosión, las cuales requieren los aparatos eléctricos del tipo de protección "Explosionproof, Class 1, Division 1".

Así pues, también pueden utilizarse en zonas con el tipo de protección requerida "Explosionproof, Class 1, Division 2" conforme al estándar FM.

10.2.3. Clasificación FM



La identificación antideflagrante
CLASS I, DIV. 1, GROUPS C, D
CLASS II, DIV. 1, GROUPS E, F, G
CLASS III
TEMPERATURE CODE T3C

dispone lo siguiente:

- Class 1 = gases, vapores, niebla
 Division 1 = existe una atmósfera con riesgo de explosión de forma permanente u ocasional en condiciones normales
 Groups C, D = grupos de gases: etileno (C), propano (D)
- Class 2 = polvos
 Division 1 = existe una atmósfera con riesgo de explosión de forma permanente u ocasional en condiciones normales
 Groups E, F, G = grupos de polvos: metal (E), carbono (F), cereales (G)
- Class 3 = fibras y pelusa
- T3C = la temperatura máx. de la superficie de las bombas es de 320 °F (160 °C)

En la placa de características están también anotados los datos para la profundidad de inmersión máx. y la temperatura máx. del líquido de impulsión.

Tipo de protección "Explosion proof"

Los motores con este tipo de protección deben equiparse con un delimitador de la temperatura.

Funcionamiento sumergido

Está prohibido cambiar el motor durante su funcionamiento.

10.2.4. Conexión eléctrica



¡PELIGRO de muerte por corriente eléctrica!
Peligro de muerte por electrocución y/o explosión debido a una conexión eléctrica inadecuada. La conexión eléctrica solo puede realizarla un electricista autorizado por la compañía eléctrica local en cumplimiento con las normativas locales vigentes.

Además de las informaciones incluidas en el capítulo "Conexión eléctrica", deben tenerse en cuenta los siguientes puntos para las bombas homologadas para zonas explosivas:

- La conexión del cable de entrada de corriente debe realizarse fuera de las áreas con riesgo de explosión o dentro de una carcasa con un tipo de protección contra encendido autorizada.
- Tolerancia de tensión: $\pm 10\%$
- Todos los dispositivos de control situados fuera de las "áreas con protección antideflagrante" deben conectarse a través de un relé de desconexión antideflagrante. Recomendamos utilizar el relé "XR-42x".

Conexión del control de temperatura

El motor está equipado con un delimitador de la temperatura (control de temperatura de 1 circuito). De manera opcional, el motor puede equiparse con un sistema de regulación y limitación de temperatura (control de temperatura de 2 circuitos).



¡PELIGRO de muerte por una conexión incorrecta!
Peligro de explosión por el sobrecalentamiento del motor. El delimitador de la temperatura debe acoplarse de manera que, en caso de que se active, solo podrá volver a conectarse accionando manualmente una "tecla de desbloqueo".

Si se dispone de un control de temperatura de 2 circuitos, la regulación de temperatura permite una reconexión automática. Para ello deben respetarse los datos sobre la frecuencia máx. de arranque de 15/h con una pausa de 3 minutos.

- Los sensores bimetálicos deben conectarse a través de un relé de evaluación. Recomendamos utilizar el relé "CM-MSS". En este caso, el valor umbral ya se

ha ajustado con antelación.

Valores de conexión: máx. 250 V(AC), 2,5 A, $\cos \varphi = 1$

- Los sensores PTC (disponibles opcionalmente/de conformidad con la norma DIN 44082) deben conectarse utilizando un relé de evaluación. Recomendamos utilizar el relé "CM-MSS". En este caso, el valor umbral ya se ha ajustado con antelación.

En cuanto se alcance el valor umbral deberá producirse una desconexión.

Control del compartimento de motor

- El control del compartimento de motor debe conectarse a través de un relé de evaluación. Recomendamos utilizar el relé "NIV 101/A". El valor umbral es de 30 kilohmios. En cuanto se alcance el valor umbral deberá producirse una desconexión.

Conexión del control de la sección impermeable

- El electrodo de varilla debe conectarse a través de un relé de evaluación. Recomendamos utilizar el relé "XR-42x". El valor umbral es de 30 kilohmios.
- La conexión debe realizarse a través de un circuito eléctrico intrínsecamente seguro. Deben respetarse los siguientes valores de conexión:
 - máx. 30 Vrms (60 V como valor de cresta)
 - máx. 60 VDC
 - máx. 0,5 mA

Funcionamiento del convertidor de frecuencia

- Funcionamiento continuo hasta frecuencia nominal (50 Hz o 60 Hz), teniendo en cuenta la velocidad mínima de flujo
- Respetar las medidas adicionales de conformidad con la CEM (selección del convertidor de frecuencia, utilización de filtros, etc.)
- No superar nunca ni la velocidad nominal ni la intensidad nominal del motor.
- Debe existir la posibilidad de conectar el dispositivo de vigilancia de la temperatura propio del motor (sensor bimetálico o PTC)

10.2.5. Puesta en marcha



¡PELIGRO de muerte por explosión!
La carcasa del sistema hidráulico debe inundarse por completo durante el funcionamiento (llenarse completamente con el fluido). Si la carcasa del sistema hidráulico está sumergida y/o entra aire en el sistema hidráulico, pueden producirse explosiones por descargas de chispas, por ejemplo por una sobrecarga estática. Asegurarse de que se realiza una desconexión a través de la protección contra marcha en seco.



¡PELIGRO de muerte por explosión!
Aquellas bombas que no estén debidamente identificadas no pueden utilizarse en áreas con riesgo de explosión. ¡Peligro de muerte por explosión! Tener en cuenta los siguientes puntos para su aplicación en áreas con riesgo de explosión:

- La bomba debe estar homologada para su aplicación dentro de áreas con riesgo de explosión.
- La conexión del cable de entrada de corriente debe realizarse fuera de las áreas con riesgo de explosión o dentro de una carcasa con un tipo de protección contra encendido autorizada.
- Los cuadros deben instalarse fuera de las áreas con riesgo de explosión o dentro de una carcasa con un tipo de protección contra encendido autorizada. Estos cuadros deben estar diseñados para el funcionamiento con homologación para uso en zonas explosivas.
- Los accesorios montados deben estar homologados para ser utilizados en bombas homologadas para zonas explosivas.

Además de las informaciones incluidas en el capítulo “Puesta en marcha”, deben tenerse en cuenta los siguientes puntos para las bombas homologadas para zonas explosivas:

- El operador es el responsable de delimitar el área con riesgo de explosión. Dentro del área con riesgo de explosión solamente está permitida la utilización de bombas con homologación para uso en zonas explosivas.
- Las bombas con homologación para uso en zonas explosivas deben estar debidamente identificadas.
- Para conseguir el grado de refrigeración necesario en motores en seco, los motores que salgan a la superficie deberán inundarse por completo antes de una nueva conexión.

10.2.6. Mantenimiento



¡PELIGRO de muerte por corriente eléctrica!
Peligro de muerte por electrocución durante la ejecución de trabajos en los equipos eléctricos. Durante la realización de todos los trabajos de mantenimiento y reparación es preciso desconectar la bomba de la red y asegurarla contra una reconexión no autorizada. Los desperfectos en el cable de entrada de corriente únicamente deben repararlos un electricista cualificado.

Además de las informaciones incluidas en el capítulo “Mantenimiento”, deben tenerse en cuenta los siguientes puntos para las bombas homologadas para zonas explosivas:

- Los trabajos de mantenimiento y reparación incluidos en este manual de servicio y mantenimiento deben realizarse correctamente.
- Los trabajos de reparación y/o las modificaciones constructivas no expuestos en este manual

de servicio y mantenimiento o bien que limiten la seguridad de la protección antideflagrante, solamente podrán realizarlos el fabricante o un taller de servicio autorizado.

- Los trabajos de reparación en las columnas con protección antideflagrante únicamente deben realizarse de conformidad con las especificaciones constructivas del fabricante. No se autoriza una reparación que corresponda a las medidas del espacio de separación de los valores de las normas.
- Solamente pueden utilizarse tapones roscados cuyas especificaciones de fábrica indiquen que su clase de resistencia es, como mínimo, de 600 N/mm².

Cambio de cable

Está estrictamente prohibido el cambio de los cables y solamente puede realizarlo un fabricante o un taller de servicio certificado por el fabricante.

10.3. Repuestos

El pedido de repuestos se hace al servicio técnico de Wilo. Para evitar confusiones y errores en los pedidos se ha de proporcionar siempre el número de serie y/o la referencia.

Reservado el derecho a realizar modificaciones técnicas.



1.	Einleitung	90	7.	Außerbetriebnahme/Entsorgung	106
1.1.	Über dieses Dokument	90	7.1.	Vorübergehende Außerbetriebnahme	106
1.2.	Personalqualifikation	90	7.2.	Endgültige Außerbetriebnahme für Wartungsarbeiten oder Einlagerung	106
1.3.	Urheberrecht	90	7.3.	Ausbau	106
1.4.	Vorbehalt der Änderung	90	7.4.	Rücklieferung/Einlagerung	107
1.5.	Gewährleistung	90	7.5.	Entsorgung	107
2.	Sicherheit	91	8.	Instandhaltung	107
2.1.	Anweisungen und Sicherheitshinweise	91	8.1.	Betriebsmittel	108
2.2.	Sicherheit allgemein	91	8.2.	Wartungstermine	108
2.3.	Elektrische Arbeiten	92	8.3.	Wartungsarbeiten	109
2.4.	Sicherheits- und Überwachungseinrichtungen	92	9.	Störungssuche und -behebung	110
2.5.	Verhalten während des Betriebs	92	10.	Anhang	111
2.6.	Fördermedien	93	10.1.	Betrieb mit Frequenzumformern	111
2.7.	Schalldruck	93	10.2.	Ex-Zulassung	112
2.8.	Konformitätshinweis	93	10.3.	Ersatzteile	114
3.	Produktbeschreibung	93			
3.1.	Bestimmungsgemäße Verwendung und Anwendungsbereiche	93			
3.2.	Aufbau	94			
3.3.	Betrieb in explosiver Atmosphäre	94			
3.4.	Betriebsarten	95			
3.5.	Technische Daten	95			
3.6.	Typenschlüssel	96			
3.7.	Lieferumfang	96			
3.8.	Zubehör	96			
4.	Transport und Lagerung	96			
4.1.	Anlieferung	96			
4.2.	Transport	96			
4.3.	Lagerung	96			
4.4.	Rücklieferung	97			
5.	Aufstellung	97			
5.1.	Allgemein	97			
5.2.	Aufstellungsarten	98			
5.3.	Einbau	98			
5.4.	Trockenlaufschutz	101			
5.5.	Elektrischer Anschluss	101			
5.6.	Motorschutz und Einschaltarten	103			
6.	Inbetriebnahme	104			
6.1.	Elektrik	104			
6.2.	Drehrichtungskontrolle	104			
6.3.	Niveausteuerung	104			
6.4.	Betrieb in explosionsgefährdeten Bereichen	105			
6.5.	Inbetriebnahme	105			
6.6.	Verhalten während des Betriebs	105			

1. Einleitung

1.1. Über dieses Dokument

Die Sprache der Originalbetriebsanleitung ist Deutsch. Alle weiteren Sprachen dieser Anleitung sind eine Übersetzung der Originalbetriebsanleitung.

Die Anleitung ist in einzelne Kapitel unterteilt, die Sie dem Inhaltsverzeichnis entnehmen können. Jedes Kapitel hat eine aussagekräftige Überschrift, der Sie entnehmen können, was in diesem Kapitel beschrieben wird.

Eine Kopie der EG-Konformitätserklärung ist Bestandteil dieser Betriebsanleitung.

Bei einer mit uns nicht abgestimmten technischen Änderung der dort genannten Bauarten, verliert diese Erklärung ihre Gültigkeit.

1.2. Personalqualifikation

Das gesamte Personal, welches an bzw. mit der Pumpe arbeitet, muss für diese Arbeiten qualifiziert sein, z. B. müssen elektrische Arbeiten von einem qualifizierten Elektrofachmann durchgeführt werden. Das gesamte Personal muss volljährig sein. Als Grundlage für das Bedien- und Wartungspersonal müssen zusätzlich auch die nationalen Unfallverhütungsvorschriften herangezogen werden.

Es muss sichergestellt werden, dass das Personal die Anweisungen in diesem Betriebs- und Wartungshandbuch gelesen und verstanden hat, ggf. muss diese Anleitung in der benötigten Sprache vom Hersteller nachbestellt werden.

Diese Pumpe ist nicht dafür bestimmt, durch Personen (einschließlich Kinder) mit eingeschränkten physischen, sensorischen oder geistigen Fähigkeiten oder mangels Erfahrung und/oder mangels Wissen benutzt zu werden, es sei denn, sie werden durch eine für ihre Sicherheit zuständige Person beaufsichtigt und erhalten von ihr Anweisungen, wie die Pumpe zu benutzen ist.

Kinder müssen beaufsichtigt werden, um sicherzustellen, dass sie nicht mit der Pumpe spielen.

1.3. Urheberrecht

Das Urheberrecht an diesem Betriebs- und Wartungshandbuch verbleibt dem Hersteller. Dieses Betriebs- und Wartungshandbuch ist für das Montage-, Bedienungs- und Wartungspersonal bestimmt. Es enthält Vorschriften und Zeichnungen technischer Art, die weder vollständig noch teilweise vervielfältigt, verbreitet oder zu Zwecken des Wettbewerbs unbefugt verwertet oder anderen mitgeteilt werden dürfen. Die verwendeten Abbildungen können vom Original abweichen und dienen lediglich der exemplarischen Darstellung der Pumpen.

1.4. Vorbehalt der Änderung

Für die Durchführung von technischen Änderungen an Anlagen und/oder Anbauteilen behält sich der Hersteller jegliches Recht vor. Dieses Betriebs- und Wartungshandbuch bezieht sich auf die im Titelblatt angegebene Pumpe.

1.5. Gewährleistung

Generell gelten bzgl. Gewährleistung die Angaben laut den aktuellen „Allgemeinen Geschäftsbedingungen (AGB)“. Diese finden Sie hier: www.wilo.com/legal/

Abweichungen davon müssen vertraglich festgehalten werden und sind dann vorrangig zu behandeln.

1.5.1. Allgemein

Der Hersteller verpflichtet sich, jeden Mangel an von ihm verkauften Pumpen zu beheben, wenn einer oder mehrere der folgenden Punkte zutreffen:

- Qualitätsmängel des Materials, der Fertigung und/oder der Konstruktion
- Mängel wurden innerhalb der vereinbarten Gewährleistungszeit schriftlich beim Hersteller gemeldet
- Pumpe wurde nur unter den bestimmungsgemäßen Einsatzbedingungen verwendet
- Alle Überwachungseinrichtungen sind angeschlossen und wurden vor Inbetriebnahme überprüft.

1.5.2. Gewährleistungszeit

Die Dauer der Gewährleistungszeit ist in den „Allgemeinen Geschäftsbedingungen (AGB)“ geregelt. Abweichungen davon müssen vertraglich festgehalten werden!

1.5.3. Ersatzteile, An- und Umbauten

Es dürfen nur Originalersatzteile des Herstellers für Reparatur, Austausch sowie An- und Umbauten verwendet werden. Eigenmächtige An- und Umbauten oder Verwendung von Nichtoriginalteilen kann zu schweren Schäden an der Pumpe und/oder zu Personenschäden führen.

1.5.4. Wartung

Die vorgeschriebenen Wartungs- und Inspektionsarbeiten sind regelmäßig durchzuführen. Diese Arbeiten dürfen nur geschulte, qualifizierte und autorisierte Personen durchführen.

1.5.5. Schäden an dem Produkt

Schäden sowie Störungen, welche die Sicherheit gefährden, müssen sofort und sachgemäß vom dafür ausgebildeten Personal behoben werden. Die Pumpe darf nur in technisch einwandfreiem Zustand betrieben werden.

Reparaturen sollten generell nur durch den Wilo-Kundendienst erfolgen!

1.5.6. Haftungsausschluss

Für Schäden an der Pumpe wird keine Gewährleistung bzw. Haftung übernommen, wenn einer bzw. mehrere der folgenden Punkte zutreffen:

- Unzureichende Auslegung seitens des Herstellers durch mangelhafte und/oder falsche Angaben des Betreibers bzw. Auftraggebers
- Nichteinhaltung der Sicherheitshinweise und Arbeitsanweisungen laut diesem Betriebs- und Wartungshandbuch
- Nichtbestimmungsgemäße Verwendung
- Unsachgemäße Lagerung und Transport
- Unvorschriftsmäßige Montage/Demontage
- Mangelhafte Wartung
- Unsachgemäße Reparatur
- Mangelhafter Baugrund, bzw. Bauarbeiten
- Chemische, elektrochemische und elektrische Einflüsse
- Verschleiß

Die Haftung des Herstellers schließt somit auch jegliche Haftung für Personen-, Sach- und/oder Vermögensschäden aus.

- Sicherheitshinweise, die auf Personenschäden hinweisen werden in schwarzer Schrift und immer mit einem Sicherheitszeichen dargestellt. Als Sicherheitszeichen werden Gefahr-, Verbots- oder Gebotszeichen verwendet.

Beispiel:



Gefahrensymbol: Allgemeine Gefahr



Gefahrensymbol z.B. elektrischer Strom



Symbol für Verbot, z.B. Kein Zutritt!



Symbol für Gebot, z.B. Körperschutz tragen

2. Sicherheit

In diesem Kapitel sind alle generell gültigen Sicherheitshinweise und technische Anweisungen aufgeführt. Außerdem sind in jedem weiteren Kapitel spezifische Sicherheitshinweise und technische Anweisungen vorhanden. Während der verschiedenen Lebensphasen (Aufstellung, Betrieb, Wartung, Transport, usw.) der Pumpe müssen alle Hinweise und Anweisungen beachtet und eingehalten werden! Der Betreiber ist dafür verantwortlich, dass sich das komplette Personal an diese Hinweise und Anweisungen hält.

2.1. Anweisungen und Sicherheitshinweise

In dieser Anleitung werden Anweisungen und Sicherheitshinweise für Sach- und Personenschäden verwendet. Um diese für das Personal eindeutig zu kennzeichnen, werden die Anweisungen und Sicherheitshinweise wie folgt unterschieden:

- Anweisungen werden „fett“ dargestellt und beziehen sich direkt auf den vorangegangenen Text oder Abschnitt.
- Sicherheitshinweise werden leicht „eingerrückt und fett“ dargestellt und beginnen immer mit einem Signalwort.
 - **Gefahr**
Es kann zu schwersten Verletzungen oder zum Tode von Personen kommen!
 - **Warnung**
Es kann zu schwersten Verletzungen von Personen kommen!
 - **Vorsicht**
Es kann zu Verletzungen von Personen kommen!
 - **Vorsicht (Hinweis ohne Symbol)**
Es kann zu erheblichen Sachschäden kommen, ein Totalschaden ist nicht ausgeschlossen!

Die verwendeten Zeichen für die Sicherheits-symbole entsprechen den allgemein gültigen Richtlinien und Vorschriften, z. B. DIN, ANSI.

- Sicherheitshinweise, die nur auf Sachschäden hinweisen werden in grauer Schrift und ohne Sicherheitszeichen dargestellt.

2.2. Sicherheit allgemein

- Beim Ein- bzw. Ausbau der Pumpe darf in Räumen und Schächten nicht alleine gearbeitet werden. Es muss immer eine zweite Person anwesend sein.
- Sämtliche Arbeiten (Montage, Demontage, Wartung, Installation) dürfen nur bei abgeschalteter Pumpe erfolgen. Die Pumpe muss vom Stromnetz getrennt und gegen Wiedereinschalten gesichert werden. Alle sich drehenden Teile müssen zum Stillstand gekommen sein.
- Der Bediener hat jede auftretende Störung oder Unregelmäßigkeit sofort seinem Verantwortlichen zu melden.
- Eine sofortige Stillsetzung durch den Bediener ist zwingend erforderlich, wenn Mängel auftreten, welche die Sicherheit gefährden. Hierzu zählen:
 - Versagen der Sicherheits- und/oder Überwachungseinrichtungen
 - Beschädigung wichtiger Teile
 - Beschädigung von elektrischen Einrichtungen, Kabel und Isolationen.
- Werkzeuge und andere Gegenstände sind nur an dafür vorgesehenen Plätzen aufzubewahren, um eine sichere Bedienung zu gewährleisten.
- Bei Arbeiten in geschlossenen Räumen muss für eine ausreichende Belüftung gesorgt werden.
- Bei Schweißarbeiten und/oder Arbeiten mit elektrischen Geräten ist sicher zu stellen, dass keine Explosionsgefahr besteht.

- Es dürfen grundsätzlich nur Anschlagmittel verwendet werden, die auch als solche gesetzlich ausgeschrieben und zugelassen sind.
- Die Anschlagmittel sind den entsprechenden Bedingungen anzupassen (Witterung, Einhakvorrichtung, Last, usw.) und sorgfältig aufzubewahren.
- Mobile Arbeitsmittel zum Heben von Lasten sind so zu benutzen, dass die Standsicherheit des Arbeitsmittels während des Einsatzes gewährleistet ist.
- Während des Einsatzes mobiler Arbeitsmittel zum Heben von nicht geführten Lasten sind Maßnahmen zu treffen, um dessen Kippen, Verschieben, Abrutschen, usw. zu verhindern.
- Es sind Maßnahmen zu ergreifen, damit sich keine Personen unter hängenden Lasten aufhalten können. Weiterhin ist es untersagt, hängende Lasten über Arbeitsplätze zu bewegen, an denen sich Personen aufhalten.
- Beim Einsatz von mobilen Arbeitsmitteln zum Heben von Lasten muss, wenn nötig (z. B. Sicht versperrt), eine zweite Person zum Koordinieren eingeteilt werden.
- Die zu hebende Last muss so transportiert werden, dass bei Energieausfall niemand verletzt wird. Weiterhin müssen solche Arbeiten im Freien abgebrochen werden, wenn sich die Witterungsverhältnisse verschlechtern.

Diese Hinweise sind strikt einzuhalten. Bei Nichtbeachtung kann es zu Personenschäden und/oder zu schweren Sachschäden kommen.

2.3. Elektrische Arbeiten



GEFAHR durch elektrischen Strom!
Durch unsachgemäßen Umgang mit Strom bei elektrischen Arbeiten droht Lebensgefahr!
Diese Arbeiten dürfen nur vom qualifizierten Elektrofachmann durchgeführt werden.

VORSICHT vor Feuchtigkeit!
Durch das Eindringen von Feuchtigkeit in das Kabel werden das Kabel und die Pumpe beschädigt. Tauchen Sie das Kabelende nie in eine Flüssigkeit ein und schützen Sie es vor Feuchtigkeitseintritt. Adern, die nicht benutzt werden, müssen isoliert werden!

Unsere Pumpen werden mit Wechsel- oder Drehstrom betrieben. Die national gültigen Richtlinien, Normen und Vorschriften (z. B. VDE 0100) sowie die Vorgaben des örtlichen Energieversorgungsunternehmens (EVO) sind einzuhalten.

Der Bediener muss über die Stromzuführung der Pumpe, sowie deren Abschaltmöglichkeiten unterrichtet sein. Für Drehstrommotoren muss ein Motorschutzschalter bauseits installiert werden. Es wird empfohlen, einen Fehlerstrom-Schutzschalter (RCD) einzubauen. Besteht die Möglichkeit, dass Personen mit der Pumpe und dem Fördermedium in

Berührung kommen (z. B. auf Baustellen) **muss** der Anschluss zusätzlich noch mit einem Fehlerstrom-Schutzschalter (RCD) abgesichert werden.

Für den Anschluss ist das Kapitel "Elektrischer Anschluss" zu beachten. Die technischen Angaben müssen strikt eingehalten werden! Unsere Pumpen müssen grundsätzlich geerdet werden.

Wurde die Pumpe durch ein Schutzorgan ausgeschaltet, darf diese erst nach der Behebung des Fehlers wieder eingeschaltet werden.

Beim Anschluss der Pumpe an die elektrische Schaltanlage, besonders bei Verwendung von elektronischen Geräten wie Sanftanlaufsteuerung oder Frequenzumrichter, sind zwecks Einhaltung der Anforderungen zur elektromagnetischen Verträglichkeit (EMV), die Vorschriften der Schaltgerätehersteller zu beachten. Eventuell sind für die Stromzuführungs- und Steuerleitungen gesonderte Abschirmungsmaßnahmen notwendig (z. B. abgeschirmte Kabel, Filter, usw.).

Der Anschluss darf nur vorgenommen werden, wenn die Schaltgeräte den harmonisierten EU-Normen entsprechen. Mobilfunkgeräte können Störungen in der Anlage verursachen.



WARNUNG vor elektromagnetischer Strahlung!
Durch elektromagnetische Strahlung besteht Lebensgefahr für Personen mit Herzschrittmachern. Beschildern Sie die Anlage dementsprechend und weisen Sie betroffene Personen darauf hin!

2.4. Sicherheits- und Überwachungseinrichtungen

Die Pumpen sind mit einer thermischen Wicklungs- und einer Motordichtigkeitsüberwachung ausgestattet. Sollte der Motor während des Betriebs zu heiß werden bzw. tritt Flüssigkeit in den Motor ein, wird die Pumpe abgeschaltet.

Diese Einrichtungen müssen vom Elektrofachmann angeschlossen und vor der Inbetriebnahme auf eine korrekte Funktion überprüft werden.

Das Personal muss über die eingebauten Einrichtungen und deren Funktion unterrichtet sein.

VORSICHT!

Die Pumpe darf nicht betrieben werden, wenn die Überwachungseinrichtungen entfernt wurden, beschädigt sind und/oder nicht funktionieren!

2.5. Verhalten während des Betriebs

Beim Betrieb der Pumpe sind die am Einsatzort geltenden Gesetze und Vorschriften zur Arbeitsplatzsicherung, zur Unfallverhütung und zum Umgang mit elektrischen Maschinen zu beachten. Im Interesse eines sicheren Arbeitsablaufes ist die Arbeitseinteilung des Personals durch den Betrei-

ber festzulegen. Das gesamte Personal ist für die Einhaltung der Vorschriften verantwortlich. Kreiselpumpen haben konstruktionsbedingt drehende Teile, welche frei zugänglich sind. Betriebsbedingt können sich an diesen Teilen scharfe Kanten bilden.



WARNUNG vor Quetschungen und abgeschnittenen Gliedmaßen!

An den drehenden Teilen in der Hydraulik können sich scharfe Kanten bilden. Diese können zum Quetschen und Abschneiden von Gliedmaßen führen.

- Während des Betriebes nie in die Hydraulik greifen.
- Vor Wartungs- oder Reparaturarbeiten die Pumpe abschalten, vom Netz trennen und gegen unbefugtes Wiedereinschalten sichern.
- Lassen Sie die drehenden Teile immer zum Stillstand kommen!

2.6. Fördermedien

Jedes Fördermedium unterscheidet sich in Bezug auf Zusammensetzung, Aggressivität, Abrasivität, Trockensubstanzgehalt und vielen anderen Aspekten. Generell können unsere Pumpen in vielen Bereichen eingesetzt werden. Dabei ist zu beachten, dass sich durch eine Veränderung der Anforderungen (Dichte, Viskosität, Zusammensetzung im allgemeinen), viele Betriebsparameter der Pumpe ändern können.

Beim Einsatz und/oder Wechsel der Pumpe in ein anderes Fördermedium sind folgende Punkte zu beachten:

- Bei einer defekten Gleitringdichtung kann das Öl aus der Dichtungskammer in das Fördermedium gelangen.

Ein Einsatz im Trinkwasser ist nicht zulässig!

- Pumpen, die in verschmutztem Wasser betrieben wurden, müssen vor dem Einsatz in anderen Fördermedien gründlich gereinigt werden.
- Pumpen, die in fäkalienhaltigen und/oder gesundheitsgefährdenden Medien betrieben wurden, müssen vor dem Einsatz in anderen Fördermedien generell dekontaminiert werden.

Es ist zu klären, ob diese Pumpe noch in einem anderen Fördermedium zum Einsatz kommen darf.

2.7. Schalldruck

Die Pumpe, je nach Größe und Leistung (kW), hat während des Betriebes einen Schalldruck von ca. 70 dB (A) bis 90 dB (A).

Der tatsächliche Schalldruck ist allerdings von mehreren Faktoren abhängig. Diese wären z. B. Einbautiefe, Aufstellung, Befestigung von Zubehör und Rohrleitung, Betriebspunkt, Eintauchtiefe, uvm.

Wir empfehlen, eine zusätzliche Messung durch den Betreiber am Arbeitsplatz vorzunehmen, wenn

die Pumpe in ihrem Betriebspunkt und unter allen Betriebsbedingungen läuft.



VORSICHT: Lärmschutz tragen! Laut den gültigen Gesetzen und Vorschriften ist ein Gehörschutz ab einem Schalldruck von 85 dB (A) Pflicht! Der Betreiber hat dafür Sorge zu tragen, dass dies eingehalten wird!

2.8. Konformitätshinweis

Das Produkt wurde nach den für das Produkt zutreffenden EG-Produktrichtlinien entwickelt und hergestellt, denen die in den EU-Raum in Verkehr gebrachten Erzeugnisse genügen müssen.

Dieses Produkt entspricht somit den für das Produkt relevanten allgemeinen Sicherheits- und Gesundheitsschutzanforderungen des EU-Gemeinschaftsrechts sowie den bekannt gemachten relevanten europäischen Normen und international anerkannten deutschen Normen.

Da dieses Produkt nicht für das Inverkehrbringen im EU-Wirtschaftsraum vorgesehen ist, ist es nicht CE-gekennzeichnet.

Ein Inverkehrbringen in den EU-Wirtschaftsraum ist somit nicht erlaubt.

3. Produktbeschreibung

Die Pumpe wird mit größter Sorgfalt gefertigt und unterliegt einer ständigen Qualitätskontrolle. Bei korrekter Installation und Wartung ist ein störungsfreier Betrieb gewährleistet.

3.1. Bestimmungsgemäße Verwendung und Anwendungsbereiche



GEFAHR durch elektrischen Strom
Bei Verwendung der Pumpe in Schwimmbecken oder anderen begehbaren Becken besteht Lebensgefahr durch elektrischen Strom. Folgende Punkte sind zu beachten:

- Halten sich Personen im Becken auf, ist die Verwendung strikt untersagt!
- Halten sich keine Personen im Becken auf, müssen Schutzmaßnahmen laut DIN VDE 0100-702.46 (oder entsprechende nationale Vorschriften) getroffen werden.



GEFAHR durch explosive Medien!
Das Fördern von explosiven Medien (z. B. Benzin, Kerosin, usw.) ist strengstens untersagt. Die Pumpen sind für diese Medien nicht konzipiert!

Die Tauchmotorpumpen Wilo-Rexa PRO... eignen sich zur Förderung im intermittierenden und Dauerbetrieb von:

- Schmutz- und Abwasser

- Fäkalienhaltigem Abwasser
- Kommunaler und industrieller Abwässer
- Schlämmen bis max. 8 % Trockensubstanz (typenabhängig) in der Haus- und Grundstücksentwässerung und in Schächten und Behältern.
Die Tauchmotorpumpen dürfen nicht zur Förderung von:
 - Trinkwasser
 - Fördermedien mit harten Bestandteilen, wie Steinen, Holz, Metalle, Sand, usw.
 - leicht entzündlichen und explosiven Medien in reiner Form eingesetzt werden.
 Zur bestimmungsgemäßen Verwendung gehört auch die Einhaltung dieser Anleitung. Jede darüber hinausgehende Verwendung gilt als nicht bestimmungsgemäß.

3.2. Aufbau

Die Wilo-Rexa Pumpen sind überflutbare Abwasser-Tauchmotorpumpen, welche vertikal in stationärer und transportabler Nassaufstellung sowie vertikal in stationärer Trockenaufstellung betrieben werden können.

Fig. 1.: Beschreibung

1	Kabel	5	Hydraulikgehäuse
2	Tragegriff	6	Sauganschluss
3	Motorgehäuse	7	Druckanschluss
4	Dichtungsgehäuse		

3.2.1. Hydraulik

Kreiselhydraulik mit Freistromlaufrad und druckseitigem Anschluss als horizontale Flanschverbindung.

**Die Hydraulik ist nicht selbstansaugend, d. h. das Fördermedium muss selbständig bzw. mit Vor-
druck zulaufen.**

3.2.2. Motor

Als Motoren kommen Trockenläufermotoren in Wechselstrom- oder Drehstromausführung zum Einsatz. Die Kühlung erfolgt durch das umgebende Medium. Die Abwärme wird über das Motorgehäuse direkt an das Fördermedium abgegeben. Der Motor darf während des Betriebs austauschen.



HINWEIS

Beim Austauschen des Motors sind die Angaben zur „Betriebsart ausgetaucht“ zu beachten und einzuhalten!

Bei den Wechselstrommotoren ist der Betriebskondensator in einem externen Kondensatorschaltgerät im Anschlusskabel integriert.

Das Anschlusskabel hat eine Länge von 40 ft (12,5 m), ist längswasserdicht vergossen und ist in den folgenden Ausführungen verfügbar:

- Kabel mit Stecker
- freies Kabelende

3.2.3. Überwachungseinrichtungen

• Motorraumüberwachung:

Die Motorraumüberwachung meldet einen Wassereintritt im Motorraum.

• Thermische Motorüberwachung:

Die thermische Motorüberwachung schützt die Motorwicklung vor Überhitzung. Standardmäßig kommen hierfür Bimetallfühler zum Einsatz. Optional können die Motoren mit PTC-Fühlern ausgestattet werden.

Zusätzlich kann der Motor mit einer externen Stabelektrode zur Überwachung der Dichtungskammer ausgestattet werden. Diese meldet einen Wassereintritt in der Dichtungskammer durch die medienseitige Gleitringdichtung.

3.2.4. Abdichtung

Die Abdichtung zum Fördermedium und zum Motorraum erfolgt durch zwei Gleitringdichtungen. Die Dichtungskammer zwischen den Gleitringdichtungen ist mit ökologisch unbedenklichem medizinischem Weißöl gefüllt.

3.2.5. Werkstoffe

- Motorgehäuse: ASTM A48 Class 35/40B (EN-GJL-250)
- Hydraulikgehäuse: ASTM A48 Class 35/40B (EN-GJL-250)
- Laufrad: ASTM A48 Class 35/40B (EN-GJL-250)
- Wellenende: AISI 420 (1.4021)
- Statische Dichtungen: Nitrile (NBR)
- Abdichtung
 - Pumpenseitig: SiC/SiC
 - Motorseitig: C/MgSiO₄

3.2.6. Angebauter Stecker

In der „P“-Ausführung ist bei Wechselstrommotoren ein Schuko-Stecker, bei Drehstrommotoren ein CEE-Stecker angebaut.

Diese Stecker sind für die Verwendung in handelsüblichen Schuko- bzw. CEE-Steckdosen ausgelegt und sind nicht überflutungssicher.

VORSICHT vor Feuchtigkeit!

Durch das Eindringen von Feuchtigkeit in den Stecker wird dieser beschädigt. Tauchen Sie den Stecker nie in eine Flüssigkeit ein und schützen Sie ihn vor Feuchtigkeitseintritt.

3.3. Betrieb in explosiver Atmosphäre

Ex-gekennzeichnete Pumpen sind für den Betrieb in explosiver Atmosphäre geeignet. Für diesen Einsatz

müssen die Pumpen bestimmte Richtlinien erfüllen. Ebenso müssen bestimmte Verhaltensregeln und Richtlinien vom Betreiber eingehalten werden.

Pumpen, die für den Einsatz in explosiven Atmosphären zugelassen sind, müssen wie folgt auf dem Typenschild gekennzeichnet sein:

- „Ex“-Symbol
- Angaben zur Ex-Klassifizierung

Beachten Sie beim Einsatz in explosiver Atmosphäre auch die weiteren Angaben im Anhang dieser Anleitung



GEFAHR durch falsche Verwendung!
Für den Einsatz in explosiver Atmosphäre muss die Pumpe eine entsprechende Zulassung haben. Ebenso muss auch das Zubehör für diese Verwendung zugelassen sein! Prüfen Sie vor der Verwendung die Pumpe sowie sämtliches Zubehör auf die richtlinienkonforme Zulassung.

3.4. Betriebsarten

3.4.1. Betriebsart S1 (Dauerbetrieb)

Die Pumpe kann kontinuierlich unter Nennlast arbeiten, ohne dass die zulässige Temperatur überschritten wird.

3.4.2. Betriebsart S2 (Kurzzeitbetrieb)

Die max. Betriebsdauer wird in Minuten angegeben, z. B. S2-15. Die Pause muss solange bestehen, bis die Maschinentemperatur nicht mehr als 2 K von der Temperatur des Kühlmittels abweicht.

3.4.3. Betriebsart S3 (Aussetzbetrieb)

Diese Betriebsart beschreibt ein Verhältnis von Betriebszeit und Stillstandszeit. Bei S3-Betrieb bezieht sich die Berechnung bei Angabe eines Wertes immer auf einen Zeitraum von 10 min.

Beispiele

- S3 20 %
 Betriebszeit 20 % von 10 min = 2 min / Stillstandszeit 80 % von 10 min = 8 min
- S3 3 min
 Betriebszeit 3 min / Stillstandszeit 7 min
 Werden zwei Werte angegeben, beziehen sich diese aufeinander, z. B.:
- S3 5 min/20 min
 Betriebszeit 5 min / Stillstandszeit 15 min
- S3 25 %/20 min
 Betriebszeit 5 min / Stillstandszeit 15 min

3.5. Technische Daten

Allgemeine Daten	
Netzanschluss [U/f]:	Siehe Typenschild
Leistungsaufnahme [P ₁]:	Siehe Typenschild
Motornennleistung [P ₂]:	Siehe Typenschild
Max. Förderhöhe [H]:	Siehe Typenschild
Max. Fördermenge [Q]:	Siehe Typenschild
Einschaltart [AT]:	Siehe Typenschild
Medientemperatur [t]:	37..104 °F (3...40 °C)
Schutzart:	IP 68
Isolationsklasse [Cl.]:	F (optional H)
Drehzahl [n]:	Siehe Typenschild
Max. Eintauchtiefe:	66 ft (20 m)
Explosionsschutz:	FM
Betriebsarten	
Eingetaucht [OT _s]:	S1
Ausgetaucht [OT _e]:	S1*, S2 30min, S3 25%**
Schalthäufigkeit	
Empfohlen:	20 /h
Maximal:	50 /h
Freier Kugeldurchgang	
PRO V05-...:	2.0 in (50 mm)
PRO V06-...:	2.5 in (65 mm)
PRO V08-...:	3.0 in (80 mm)
Sauganschluss:	
PRO ...05-...:	DN 50/PN 10
PRO ...06-...:	DN 65/PN 10
PRO ...08-...:	DN 80/PN 10
Druckanschluss:	
PRO ...05-...:	ANSI B16.1 125lbs 2/Npt2
PRO ...06-...:	ANSI B16.1 125lbs 2.5/3
PRO ...08-...:	ANSI B16.1 125lbs 3

* Ein S1-Betrieb im ausgetauchten Zustand ist **nicht** mit allen Motoren möglich. Beachten Sie hierzu die Angaben auf dem Typenschild.

** Die Betriebsart S3 50% ist zulässig, wenn vor einem erneuten Einschalten die nötige Kühlung des Motors, durch das komplette Überfluten für min. 1 Minute, sichergestellt ist!

Die angegebenen technischen Daten gelten für die Standardpumpen der PRO-Baureihe.

Die technischen Daten von freikonfigurierten Pumpen der PRO-Baureihe entnehmen Sie der Auftragsbestätigung!

3.6. Typenschlüssel

Beispiel:	Wilo-Rexa PRO V06DA-110/EAD1F2-T0015-646-O
PRO	Baureihe
V	Laufradform V = Freistromlaufrad C = Einkanallaufgrad
06	Größe Druckanschluss 05 = ANSI B16.1 125lbs 2/Npt2 06 = ANSI B16.1 125lbs 2.5/3 08 = ANSI B16.1 125lbs 3
D	Hydraulikausführung D = Saugseite gebohrt nach DIN N = Saugseite gebohrt nach North American Standard (ANSI)
A	Materialausführung „Hydraulik“ A = Standardausführung Y = Sonderausführung
110	Hydraulikbestimmung
E	Motorausführung E = Trockenmotor R = leistungsreduzierter Trockenmotor
A	Materialausführung „Hydraulik“ A = Standardausführung Y = Sonderausführung
D	Abdichtungsausführung D = 2 unabhängige Gleitringdichtungen B = Kassettdichtung
1	IE-Effizienzklasse, z. B.: 1 = IE1 (in Anlehnung an IEC 60034-30)
F	mit Ex-Zulassung: X = ATEX F = FM C = CSA
2	Polzahl
T	Ausführung Netzanschluss M = 1~ T = 3~
0015	/10 = Motornennleistung P_2 in kW
6	Frequenz 5 = 50 Hz 6 = 60 Hz
46	Schlüssel für Bemessungsspannung
O	Elektrische Zusatzausstattung O = mit freiem Kabelende P = mit Stecker

3.7. Lieferumfang

Standardartikel

- Pumpe mit 40 ft (12,5 m) Kabel
- Wechselstromausführung mit Kondensator-schaltgerät und freiem Kabelende
- Drehstromausführung mit
 - freiem Kabelende
 - mit CEE-Stecker
- Einbau- und Betriebsanleitung

Frei konfigurierte Artikel

- Pumpe mit Kabellänge nach Kundenwunsch
- Kabelausführung
 - mit freiem Kabelende
 - mit Stecker
 - mit Schwimmerschalter und freiem Kabelende
 - mit Schwimmerschalter und Stecker
- Einbau- und Betriebsanleitung

3.8. Zubehör

- Kabellängen bis 160 ft (50 m) in festen Abstufungen von 40 ft (12,5 m) bzw. individuelle Kabellängen auf Anfrage
- Einhängenvorrichtung
- Pumpenfuß
- Externe Stabelektrode zur Dichtungskammerüberwachung
- Niveausteuerungen
- Befestigungszubehör und Ketten
- Schaltgeräte, Relais und Stecker
- Ceram-Beschichtung
- Thermische Motorüberwachung mit PTC-Fühlern

4. Transport und Lagerung

4.1. Anlieferung

Nach Eingang der Sendung ist diese sofort auf Schäden und Vollständigkeit zu überprüfen. Bei eventuellen Mängeln muss noch am Eingangstag das Transportunternehmen bzw. der Hersteller verständigt werden, da sonst keine Ansprüche mehr geltend gemacht werden können. Eventuelle Schäden müssen auf den Frachtpapieren vermerkt werden!

4.2. Transport

Zum Transportieren sind nur die dafür vorgesehenen und zugelassenen Anschlag-, Transport- und Hebemittel zu verwenden. Diese müssen ausreichende Tragfähigkeit und Tragkraft besitzen, damit die Pumpe gefahrlos transportiert werden kann. Bei Einsatz von Ketten sind diese gegen Verrutschen zu sichern.

Das Personal muss für diese Arbeiten qualifiziert sein und muss während der Arbeiten alle national gültigen Sicherheitsvorschriften einhalten.

Die Pumpen werden vom Hersteller bzw. vom Zulieferer in einer geeigneten Verpackung geliefert. Diese schließt normalerweise eine Beschädigung bei Transport und Lagerung aus. Bei häufigem Standortwechsel sollten Sie die Verpackung zur Wiederverwendung gut aufbewahren.

4.3. Lagerung

Neu gelieferte Pumpen sind so aufbereitet, dass diese mind. 1 Jahr gelagert werden können. Bei Zwischenlagerungen ist die Pumpe vor dem Einlagern gründlich zu reinigen!

Folgendes ist für die Einlagerung zu beachten:

- Pumpe sicher auf einem festen Untergrund stellen und gegen Umfallen und Wegrutschen sichern. Abwasser-Tauchmotorpumpen werden vertikal gelagert.



GEFAHR durch umstürzen!

Die Pumpe nie ungesichert abstellen. Beim Umfallen der Pumpe besteht Verletzungsgefahr!

- Unsere Pumpen können bis max. +5 °F (-15 °C) gelagert werden. Der Lagerraum muss trocken sein. Wir empfehlen eine frostsichere Lagerung in einem Raum mit einer Temperatur zwischen 41 °F (5 °C) und 77 °F (25 °C).
- Die Pumpe darf nicht in Räumen gelagert werden, in denen Schweißarbeiten durchgeführt werden, da die entstehenden Gase bzw. Strahlungen die Elastomerteile und Beschichtungen angreifen können.
- Saug- und Druckanschluss sind fest zu verschließen, um Verunreinigungen zu verhindern.
- Alle Stromzuführungsleitungen sind gegen Abknicken, Beschädigungen und Feuchtigkeitseintritt zu schützen.



GEFAHR durch elektrischen Strom!

Durch beschädigte Stromzuführungsleitungen droht Lebensgefahr! Defekte Leitungen müssen sofort vom qualifizierten Elektrofachmann ausgetauscht werden.

VORSICHT vor Feuchtigkeit!

Durch das Eindringen von Feuchtigkeit in das Kabel werden das Kabel und die Pumpe beschädigt. Tauchen Sie das Kabelende nie in eine Flüssigkeit ein und schützen Sie es vor Feuchtigkeitseintritt.

- Die Pumpe muss vor direkter Sonneneinstrahlung, Hitze, Staub und Frost geschützt werden. Hitze oder Frost kann zu erheblichen Schäden an Laufrädern und Beschichtungen führen!
- Die Laufräder müssen in regelmäßigen Abständen gedreht werden. Dadurch wird ein Festsetzen der Lager verhindert und der Schmierfilm der Gleitringdichtung erneuert.



WARNUNG vor scharfen Kanten!

An den Laufrädern und Hydrauliköffnungen können sich scharfe Kanten bilden. Es besteht Verletzungsgefahr! Tragen Sie die notwendigen Körperschutzmittel, z. B. Schutzhandschuhe.

- Nach einer längeren Lagerung ist die Pumpe vor Inbetriebnahme von Verunreinigungen wie z. B. Staub und Ölablagerungen zu reinigen. Laufräder sind auf Leichtgängigkeit, Gehäusebeschichtungen sind auf Beschädigungen zu prüfen.

Vor Inbetriebnahme ist der Füllstand in der Dichtungskammer zu überprüfen und ggf. nach-

zufüllen!

Beschädigte Beschichtungen müssen sofort nachgebessert werden. Nur eine intakte Beschichtung erfüllt ihren sinngemäßen Zweck!

Beachten Sie, dass die Elastomerteile und die Beschichtungen einer natürlichen Versprödung unterliegen. Wir empfehlen bei einer Einlagerung von mehr als 6 Monaten diese zu überprüfen und ggf. auszutauschen. Halten Sie hierfür bitte Rücksprache mit dem Hersteller.

4.4. Rücklieferung

Pumpen, die ins Werk zurück geliefert werden, müssen fachgerecht verpackt sein. Fachgerecht heißt, dass die Pumpe von Verunreinigungen gesäubert und bei Verwendung in gesundheitsgefährdenden Medien dekontaminiert wurde.

Für den Versand müssen die Teile in reißfesten und ausreichend großen Kunststoffsäcken dicht verschlossen und auslaufsicher verpackt werden. Weiterhin muss die Verpackung die Pumpe vor Beschädigungen während des Transports schützen. Bei Fragen wenden Sie sich bitte an den Hersteller!

5. Aufstellung

Um Produktschäden oder gefährliche Verletzungen bei der Aufstellung zu vermeiden, sind folgende Punkte zu beachten:

- Die Aufstellungsarbeiten – Montage und Installation der Pumpe – dürfen nur von qualifizierten Personen unter Beachtung der Sicherheitshinweise durchgeführt werden.
- Vor dem Beginn der Aufstellungsarbeiten ist die Pumpe auf Transportschäden zu untersuchen.

5.1. Allgemein

Für die Planung und den Betrieb abwassertechnischer Anlagen wird auf die einschlägigen und örtlichen Vorschriften und Richtlinien der Abwassertechnik (z. B. abwassertechnische Vereinigung ATV) hingewiesen.

Insbesondere bei den stationären Aufstellungsarten wird im Fall einer Förderung mit längeren Druckrohrleitungen (besonders bei stetiger Steigung oder ausgeprägtem Geländeprofil) auf auftretende Druckstöße hingewiesen.

Druckstöße können zur Zerstörung der Pumpe/Anlage führen und durch Klappenschlag Lärmbelastigungen mit sich bringen. Durch den Einsatz geeigneter Maßnahmen (z. B. Rückschlagklappen mit einstellbarer Schließzeit, besondere Verlegung der Druckrohrleitung) können diese vermieden werden. Nach der Förderung von kalk-, lehm- oder zementhaltigem Wasser sollte die Pumpe mit reinem Wasser durchgespült werden, um Verkrustungen zu verhindern und dadurch bedingte spätere Ausfälle zu vermeiden.

Bei Verwendung von Niveausteuerungen ist auf die min. Wasserüberdeckung zu achten. Lufteinschlüsse im Hydraulikgehäuse bzw. im Rohrleitungssystem sind unbedingt zu vermeiden und müssen durch geeignete Entlüftungseinrichtungen und/oder ein leichtes schrägstellen der Pumpe (bei transportabler Aufstellung) beseitigt werden. Schützen Sie die Pumpe vor Frost.

5.2. Aufstellungsarten

- Vertikale stationäre Nassaufstellung mit Einhängenvorrichtung
- Vertikale transportable Nassaufstellung mit Pumpenfuß
- Vertikale stationäre Trockenaufstellung

5.3. Einbau



GEFAHR durch Stürzen!

Beim Einbau der Pumpe und dessen Zubehör wird unter Umständen direkt am Becken- oder Schachtrand gearbeitet. Durch Unachtsamkeit und/oder falscher Kleidungswahl kann es zu Stürzen kommen. Es besteht Lebensgefahr! Treffen Sie alle Sicherheitsvorkehrungen, um dies zu verhindern.

Beim Einbau der Pumpe ist Folgendes zu beachten:

- Diese Arbeiten müssen von Fachpersonal und elektrische Arbeiten müssen vom Elektrofachmann durchgeführt werden.
- Der Betriebsraum muss sauber, von groben Feststoffen gereinigt, trocken, frostfrei und ggf. dekontaminiert, sowie für die jeweilige Pumpe ausgelegt sein.
- Bei Arbeiten in Schächten muss eine zweite Person zur Absicherung anwesend sein. Besteht die Gefahr, dass sich giftige oder erstickende Gase sammeln, sind die nötigen Gegenmaßnahmen zu ergreifen!
- In Abhängigkeit von den im Betrieb herrschenden Umgebungsbedingungen sind vom Anlagenplaner die Schachtgröße und die Abkühlzeit des Motors zu bestimmen.
- Es muss gewährleistet sein, dass ein Hebemittel problemlos montiert werden kann, da dieses für die Montage/Demontage der Pumpe benötigt wird. Der Einsatz- und Abstellplatz für die Pumpe muss mit dem Hebemittel gefahrlos erreichbar sein. Der Abstellplatz muss einen festen Untergrund aufweisen. Zum Transport der Pumpe muss das Lastaufnahmemittel an den vorgeschriebenen Hebeösen oder dem Tragegriff befestigt werden. Bei der Verwendung von Ketten müssen diese über einen Schäkel mit der Hebeöse bzw. dem Tragegriff verbunden werden. Es dürfen nur bautechnisch zugelassene Anschlagmittel verwendet werden.
- Die Stromzuführungsleitungen müssen so verlegt werden, dass ein gefahrloser Betrieb und eine problemlose Montage/Demontage jederzeit möglich sind. Die Pumpe darf niemals an der Strom-

zuführungsleitung getragen bzw. gezogen werden. Prüfen Sie den verwendeten Kabelquerschnitt und die gewählte Verlegeart, ob die vorhandene Kabellänge ausreichend ist.

- Bei der Verwendung von Schaltgeräten ist die entsprechende Schutzklasse zu beachten. Generell sind Schaltgeräte überflutungssicher und außerhalb von Ex-Bereichen anzubringen.
- Beim Einsatz in explosiver Atmosphäre muss sichergestellt werden, dass zum einen die Pumpe, zum anderen auch das komplette Zubehör für diesen Einsatzbereich zugelassen ist.
- Die Bauwerksteile und Fundamente müssen ausreichende Festigkeit haben, um eine sichere und funktionsgerechte Befestigung zu ermöglichen. Für die Bereitstellung der Fundamente und deren Eignung in Form von Abmessungen, Festigkeit und Belastbarkeit ist der Betreiber bzw. der jeweilige Zulieferer verantwortlich!
- Soll während des Betriebs das Motorgehäuse aus dem Medium ausgetaucht werden, ist die Betriebsart für ausgetauchten Betrieb zu beachten!
Damit bei Trockenmotoren im S3-Betrieb die notwendige Kühlung erreicht wird, müssen diese, wenn der Motor ausgetaucht wurde, vor erneutem Einschalten vollständig geflutet werden!

- Ein Trockenlauf der Pumpe ist strengstens untersagt. Der Mindestwasserpegel darf niemals unterschritten werden. Wir empfehlen deshalb bei größeren Pegelschwankungen den Einbau einer Niveausteuerng oder eines Trockenlaufschutzes.
- Verwenden Sie für den Zulauf des Fördermediums Leit- und Prallbleche. Beim Auftreffen des Wasserstrahles auf die Wasseroberfläche wird Luft in das Fördermedium eingetragen, welche sich im Leitungssystem ansammeln kann. Dies kann zu unzulässigen Betriebsbedingungen und zur Abschaltung der gesamten Anlage führen.
- Prüfen Sie die vorhandenen Planungsunterlagen (Montagepläne, Ausführung des Betriebsraumes, Zulaufverhältnisse) auf Vollständig- und Richtigkeit.
- Beachten Sie ebenfalls alle Vorschriften, Regeln und Gesetze zum Arbeiten mit schweren und unter schwebenden Lasten. Tragen Sie die entsprechenden Körperschuttmittel.
- Beachten Sie weiterhin auch die national gültigen Unfallverhütungs- und Sicherheitsvorschriften der Berufsgenossenschaften.

5.3.1. Wartungsarbeiten

Nach einer Lagerung von mehr als 6 Monaten sind vor dem Einbau die folgenden Wartungsarbeiten durchzuführen:

- Laufrad drehen
- Ölstand in der Dichtungskammer prüfen

Laufrad drehen

1. Pumpe auf einer festen Unterlage horizontal ablegen.

Achten Sie darauf, dass die Pumpe nicht umfallen und/oder wegrutschen kann!

- Greifen Sie vorsichtig und langsam von unten in das Hydraulikgehäuse und drehen Sie das Laufrad.



WARNUNG vor scharfen Kanten!
An den Laufrädern und der Hydrauliköffnung können sich scharfe Kanten bilden. Es besteht Verletzungsgefahr! Tragen Sie die notwendigen Körperschutzmittel, z. B. Schutzhandschuhe.

Ölstandskontrolle der Dichtungskammer

Die Dichtungskammer hat eine Öffnung zum Entleeren und Befüllen der Kammer.

- Pumpe auf einer festen Unterlage horizontal auflegen, so dass die Verschlusschraube nach oben zeigt.
- Achten Sie darauf, dass die Pumpe nicht umfallen und/oder wegrutschen kann!**
- Verschlusschraube (siehe Fig. 8) herausdrehen.
- Das Betriebsmittel muss bis ca. 0,4 in (1 cm) unter die Öffnung der Verschlusschraube reichen.
- Ist zu wenig Öl in der Dichtungskammer, füllen Sie Öl nach. Befolgen Sie hierfür die Anweisungen im Kapitel „Instandhaltung“ unter dem Punkt „Ölwechsel“.
- Verschlusschraube reinigen, ggf. mit neuem Dichtung bestücken und wieder eindrehen.

5.3.2. Stationäre Nassaufstellung

Bei der Nassaufstellung muss eine Einhängenvorrichtung installiert werden. Diese muss separat vom Hersteller bestellt werden. An diese wird das druckseitige Rohrleitungssystem angeschlossen.

Das angeschlossene Rohrleitungssystem muss selbsttragend sein, d. h. es darf nicht von der Einhängenvorrichtung gestützt werden.

Der Betriebsraum muss so ausgelegt werden, dass die Einhängenvorrichtung problemlos installiert und betrieben werden kann.

Soll der Motor während des Betriebs austauschen, sind folgende Betriebsparameter strikt einzuhalten:

- Die **max. Mediums- und Umgebungstemperatur** beträgt **104 °F (40 °C)**.
- Angaben zur „Betriebsart ausgetaucht“

Fig. 2.: Nassaufstellung

1	Einhängenvorrichtung	6	Anschlagmittel
2	Rückflussverhinderer	7a	Min. Wasserstand für eingetauchten Betrieb
3	Absperrschieber	7b	Min. Wasserstand für ausgetauchten Betrieb*
4	Rohrbogen	8	Prallschutzblech
5	Führungsrohr (bauseits zu stellen!)	9	Zulauf

A	Mindestabstände bei Parallelbetrieb
B	Mindestabstände bei Wechselbetrieb

Abstandsmaß „A“	
DN 50	308 mm
DN 65	385 mm
DN 80	615 mm
DN 100	615 mm

Arbeitsschritte

- Installation der Einhängenvorrichtung: ca. 3–6 h (siehe hierfür die Betriebsanleitung der Einhängenvorrichtung).
- Pumpe für den Betrieb an einer Einhängenvorrichtung vorbereiten: ca. 1–3 h (siehe hierfür die Betriebsanleitung der Einhängenvorrichtung).
- Pumpe installieren: ca. 3–5 h
 - Einhängenvorrichtung auf festen Sitz und korrekte Funktion prüfen.
 - Hebemittel mittels Schäkel an der Pumpe befestigen, anheben und langsam an den Führungsrohren in den Betriebsraum ablassen.
 - Beim Ablassen die Stromzuführungsleitungen leicht gestrafft halten.
 - Wenn die Pumpe an der Einhängenvorrichtung angekoppelt ist, die Stromzuführungsleitungen fachgerecht gegen herabfallen und Beschädigungen sichern.
 - Elektrischen Anschluss vom Elektrofachmann vornehmen lassen.
 - Der Druckanschluss wird durch das Eigengewicht abgedichtet.
- Installation von optionalem Zubehör wie z. B. Trockenlaufschutz oder Niveausteuern.
- Pumpe in Betrieb nehmen: ca. 2–4 h
 - Laut Kapitel „Inbetriebnahme“
 - Bei Neuinstallation: Betriebsraum fluten
 - Druckleitung entlüften.

5.3.3. Transportable Nassaufstellung

Bei dieser Aufstellungsart muss die Pumpe mit einem Pumpenfuß ausgestattet werden (optional erhältlich). Dieser wird am Saugstutzen angebracht und gewährleistet die Mindestbodenfreiheit sowie einen sicheren Stand bei festem Untergrund. In dieser Ausführung ist eine beliebige Positionierung im Betriebsraum möglich. Beim Einsatz in Betriebsräumen mit weichem Untergrund muss eine harte Unterlage benutzt werden, um ein Einsinken zu verhindern. Druckseitig wird ein Druckschlauch angeschlossen.

Bei längerer Betriebszeit in dieser Aufstellungsart muss die Pumpe am Boden befestigt werden. Dadurch werden Vibrationen verhindert und ein ruhiger und verschleißarmer Lauf gewährleistet. Soll der Motor während des Betriebs austauschen, sind folgende Betriebsparameter strikt einzuhalten:

- Die **max. Mediums- und Umgebungstemperatur** beträgt **104 °F (40 °C)**.
- Angaben zur „Betriebsart ausgetaucht“



VORSICHT vor Verbrennungen!
Die Gehäuseteile können weit über 104 °F (40 °C) heiß werden. Es besteht Verbrennungsgefahr! Lassen Sie die Pumpe nach dem Ausschalten erst auf Umgebungstemperatur abkühlen.

Fig. 3.: Transportable Aufstellung

1	Lastaufnahmemittel	5	Storz-Schlauchkupplung
2	Pumpenfuß	6	Druckschlauch
3	Rohrbogen für Schlauchanschluss oder Storz-Festkupplung	7a	Min. Wasserstand für eingetauchten Betrieb
4	Storz-Festkupplung	7b	Min. Wasserstand für ausgetauchten Betrieb

Arbeitsschritte

1. Pumpen vorbereiten: ca. 1 h
 - Pumpenfuß am Sauganschluss montieren.
 - Rohrbogen am Druckanschluss montieren.
 - Druckschlauch mit Schlauchschelle am Rohrbogen befestigen.
Alternativ kann eine Storz-Festkupplung am Rohrbogen und eine Storz-Schlauchkupplung am Druckschlauch montiert werden.
2. Pumpe installieren: ca. 1–2 h
 - Pumpe am Einsatzort positionieren. Ggf. Hebelmittel mittels Schäkel an der Pumpe befestigen, anheben und an der vorgesehenen Arbeitsstelle (Schacht, Grube) absetzen.
 - Prüfen Sie, dass die Pumpe vertikal und auf festem Untergrund steht. Ein Einsinken ist zu vermeiden!
 - Stromzuführungsleitung so verlegen, dass diese nicht beschädigt werden kann.
 - Elektrischen Anschluss vom Elektrofachmann vornehmen lassen.
 - Druckschlauch so verlegen, dass er nicht beschädigt wird und an gegebener Stelle (z. B. Abfluss) befestigen.



GEFAHR durch Abreißen des Druckschlauches!
Durch ein unkontrolliertes Abreißen bzw. Wegschlagen des Druckschlauches kann es zu Verletzungen kommen. Der Druckschlauch ist dementsprechend abzusichern. Ein Einknicken des Druckschlauches ist zu verhindern.

3. Pumpe in Betrieb nehmen: ca. 1–3 h
 - Laut Kapitel „Inbetriebnahme“

5.3.4. Stationäre Trockenaufstellung

Bei dieser Einbauart liegt ein geteilter Betriebsraum vor: Auffangbehälter und Maschinenraum. Im Auffangbehälter wird das Fördermedium gesammelt, im Maschinenraum ist die Pumpe montiert. Der Betriebsraum muss laut Auslegung bzw. Planungshilfe des Herstellers vorgerichtet sein. Die Pumpe wird an der genannten Stelle im Maschinenraum mit dem Rohrleitungssystem saug- und druckseitig verbunden. Die Pumpe selbst ist nicht im Fördermedium eingetaucht.

Das saug- und druckseitige Rohrleitungssystem muss selbsttragend sein, d. h. es darf nicht von der Pumpe gestützt werden. Des Weiteren muss die Pumpe spannungs- und schwingungsfrei an das Leitungssystem angeschlossen werden. Wir empfehlen daher die Verwendung von elastischen Anschlussstücken (Kompensatoren).

Für die Trockenaufstellung müssen die folgenden Betriebsparameter eingehalten werden:

- Die **max. Mediums- und Umgebungstemperatur** beträgt **104 °F (40 °C)**.
- Angaben zur „Betriebsart ausgetaucht“
Die Pumpe ist nicht selbstansaugend, daher muss das Hydraulikgehäuse vollständig mit dem Fördermedium befüllt sein. Der min. Pegelstand im Auffangbehälter muss die gleiche Höhe haben, wie die Oberkante des Hydraulikgehäuses!



VORSICHT vor Verbrennungen!
Die Gehäuseteile können weit über 104 °F (40 °C) heiß werden. Es besteht Verbrennungsgefahr! Lassen Sie die Pumpe nach dem Ausschalten erst auf Umgebungstemperatur abkühlen.

Fig. 4.: Stationäre Trockenaufstellung

1	Auffangbehälter	5	Kompensator
2	Maschinenraum	6	Pumpe
3	Absperrschieber	7	Min. Wasserstand
4	Rückflussverhinderer	8	Trockenlaufschutz

Arbeitsschritte

1. Pumpe installieren: ca. 3–5 h
 - Leitungssystem auf festen Sitz prüfen.
 - Hebelmittel mittels Schäkel an der Pumpe befestigen, anheben und langsam auf das Leitungssystem ablassen.
 - Beim Ablassen auf die Stromzuführungsleitungen achten.
 - Wenn die Pumpe auf der Rohrleitung aufsitzt, diese saug- und druckseitig am Rohrleitungssystem befestigen.
 - Die Stromzuführungsleitungen gemäß den lokalen Vorschriften verlegen.
 - Elektrischen Anschluss vom Elektrofachmann vornehmen lassen.

2. Installation von optionalem Zubehör wie z. B. Trockenlaufschutz oder Niveausteuerungen.
3. Pumpe in Betrieb nehmen: ca. 2–4 h
 - Laut Kapitel „Inbetriebnahme“
 - Schieber saug- und druckseitig öffnen.
 - Druckleitung entlüften.

5.3.5. Niveausteuerung

Durch eine Niveausteuerung können Füllstände ermittelt und die Pumpe automatisch ein- und ausgeschaltet werden. Die Erfassung der Füllstände kann durch Schwimmerschalter, Druck- und Ultraschallmessungen oder Elektroden erfolgen.

Folgende Punkte sind hierbei zu beachten:

- Bei der Verwendung von Schwimmerschaltern muss darauf geachtet werden, dass sich diese frei im Raum bewegen können!
- Der Mindestwasserstand darf nicht unterschritten werden!
- Die maximale Schalzhäufigkeit darf nicht überschritten werden!
- Bei stark schwankenden Füllständen sollte eine Niveausteuerung generell über zwei Messpunkte erfolgen. Somit lassen sich größere Schaltdifferenzen erreichen.

Installation

Die korrekte Installation der Niveausteuerung entnehmen Sie bitte der Einbau- und Betriebsanleitung der Niveausteuerung.

Beachten Sie die Angaben zur max. Schalzhäufigkeit sowie zum Mindestwasserstand!

5.4. Trockenlaufschutz

Um die notwendige Kühlung zu gewährleisten, muss die Pumpe je nach Betriebsart, im Fördermedium eingetaucht sein. Des Weiteren ist unbedingt darauf zu achten, dass keine Luft in das Hydraulikgehäuse gelangt.

Deshalb muss die Pumpe immer bis zur Oberkante des Hydraulikgehäuses oder ggf. bis Oberkante Motorgehäuse im Fördermedium eingetaucht sein. Zur optimalen Betriebssicherheit empfehlen wir daher den Einbau eines Trockenlaufschutzes.

Dieser wird mit Hilfe von Schwimmerschaltern oder Elektroden gewährleistet. Der Schwimmerschalter bzw. die Elektrode wird im Schacht befestigt und schaltet die Pumpe beim Unterschreiten der Mindestwasserüberdeckung ab. Wird der Trockenlaufschutz bei stark schwankenden Füllständen nur mit einem Schwimmer oder Elektrode realisiert, besteht die Möglichkeit, dass die Pumpe ständig ein- und ausschaltet! Dies kann zur Folge haben, dass die maximalen Einschaltungen (Schaltzyklen) des Motors überschritten werden.

5.4.1. Abhilfe zur Vermeidung hoher Schaltzyklen

- Manuelles Rücksetzen
Bei dieser Möglichkeit wird der Motor nach dem Unterschreiten der Mindestwasserüberdeckung

abgeschaltet und muss bei ausreichendem Wasserstand manuell wieder eingeschaltet werden.

- Separater Wiedereinschaltpunkt
Mit einem zweiten Schaltpunkt (zusätzlicher Schwimmer oder Elektrode) wird eine ausreichende Differenz zwischen Ausschaltpunkt und Einschaltpunkt geschaffen. Damit wird ein ständiges Schalten vermieden. Diese Funktion kann mit einem Niveausteuerrelais realisiert werden.

5.5. Elektrischer Anschluss



LEBENSGEFAHR durch elektrischen Strom!
Bei unsachgemäßem elektrischem Anschluss besteht Lebensgefahr durch Stromschlag. Elektrischen Anschluss nur durch vom örtlichen Energieversorger zugelassenen Elektrofachmann und entsprechend den örtlich geltenden Vorschriften ausführen lassen.



GEFAHR durch falschen Anschluss!
Bei Ex-zugelassenen Pumpen muss der Anschluss der Stromzuführungsleitung außerhalb des Ex-Bereiches oder innerhalb eines Gehäuses, mit einer eigenen zugelassenen Zündschutzart, erfolgen! Bei Nichtbeachtung besteht Lebensgefahr durch Explosion!

- Lassen Sie den Anschluss immer von einem Elektrofachmann durchführen.
- Beachten Sie auch die weiteren Informationen im Anhang.

- Strom und Spannung des Netzanschlusses müssen den Angaben auf dem Typenschild entsprechen.
- Stromzuführungsleitung gemäß geltenden Normen/Vorschriften verlegen und gemäß der Aderbelegung anschließen.
- Vorhandene Überwachungseinrichtungen z. B. für die thermische Motorüberwachung, müssen angeschlossen und auf Funktion geprüft werden.
- Für Drehstrommotoren muss ein rechtsdrehendes Drehfeld vorhanden sein.
- Pumpe vorschriftsmäßig erden.
Festinstallierte Pumpen müssen laut den national gültigen Normen geerdet werden. Ist ein separater Schutzleiteranschluss vorhanden, ist dieser an der gekennzeichneten Bohrung bzw. Erdungsklemme (⊕) mittels geeigneter Schraube, Mutter, Zahn- und Unterlegscheibe anzuschließen. Für den Schutzleiteranschluss einen Kabelquerschnitt entsprechend den örtlichen Vorschriften vorsehen.
- Für Motoren mit freiem Kabelende muss ein Motorschutzschalter verwendet werden. Die Verwendung eines Fehlerstrom-Schutzschalters (RCD) wird empfohlen.
- Schaltgeräte sind als Zubehör zu beschaffen.

5.5.1. Netzseitige Absicherung

Die benötigte Vorsicherung muss entsprechend dem Anlaufstrom bemessen werden. Den Anlaufstrom entnehmen Sie dem Typenschild. Als Vorsicherung sind nur träge Sicherungen oder Sicherungsautomaten mit K-Charakteristik zu verwenden.

5.5.2. Prüfung des Isolationswiderstands und der Überwachungseinrichtungen vor Inbetriebnahme

Weichen die gemessenen Werte von den Vorgaben ab, kann Feuchtigkeit in den Motor oder die Stromzuführungsleitung eingedrungen sein, bzw. ist die Überwachungseinrichtung defekt. Schließen Sie die Pumpe nicht an und halten Sie Rücksprache mit dem Wilo-Kundendienst.

Isolationswiderstand der Motorwicklung

Vor dem Anschließen der Stromzuführungsleitung muss der Isolationswiderstand geprüft werden. Dieser kann mit einem Isolationsprüfer (Messgleichspannung = 1000 V) gemessen werden:

- Bei Erstinbetriebnahme: Isolationswiderstand darf 20 MΩ nicht unterschreiten.
- Bei weiteren Messungen: Wert muss größer als 2 MΩ sein.

Bei Motoren mit integriertem Kondensator sind die Wicklungen vor der Prüfung kurzzuschließen.

Temperaturfühler und optional erhältliche Stabelektrode zur Dichtungskammerüberwachung

Vor dem Anschließen der Überwachungseinrichtungen müssen diese mit einem Ohmmeter überprüft werden. Folgende Werte sind einzuhalten:

- Bimetallfühler: Wert gleich „0“-Durchgang
- PTC-/Kaltleiterfühler: Ein Kaltleiterfühler hat einen Kaltwiderstand zwischen 20 und 100 Ohm. Bei 3 Fühlern in Serie würde das einen Wert von 60 bis 300 Ohm ergeben. Bei 4 Fühlern in Serie würde das einen Wert von 80 bis 400 Ohm ergeben.
- Stabelektrode: Der Wert muss gegen „unendlich“ gehen. Bei niedrigen Werten ist Wasser im Öl. Bitte beachten Sie auch die Hinweise des optional erhältlichen Auswertereleais.

5.5.3. Wechselstrommotor

Fig. 5.: Anschlussplan

L	Netzanschluss	DK	Dichtigkeitsüberwachung Motorraum
N			
20	Bimetallfühler	Cr	Betriebskondensator
21		PE	Erde

Die Wechselstromausführung ist mit einem Kondensatorschaltgerät (Betriebskondensator) und freien Kabelenden ausgeführt.

Der Anschluss an das Stromnetz erfolgt durch das Anklemmen im Schaltgerät.

Der elektrische Anschluss muss durch einen Elektrofachmann erfolgen!

Die Adern des Anschlusskabels sind wie folgt belegt:

7-adriges Anschlusskabel	
Adernummer	Klemme
1	Temperaturüberwachung Wicklung
2	
3	L (U1/Z1)
4	N (U2)
5	Z2 – Anschluss für den Betriebskondensator
6	Dichtigkeitsüberwachung Motorraum
grün/gelb (gn-ye)	Erde (PE)

Ist die Pumpe mit einem Stecker ausgestattet, erfolgt der Anschluss an das Stromnetz durch Einstecken des Steckers in die Steckdose.

5.5.4. Drehstrommotor

Fig. 6.: Anschlussplan mit Bimetallfühler

L1	Netzanschluss	DK	Dichtigkeitsüberwachung Motorraum
L2			
L3			
PE	Erde	21	Bimetallfühler

Fig. 7.: Anschlussplan mit PTC-Fühler

L1	Netzanschluss	DK	Dichtigkeitsüberwachung Motorraum
L2			
L3			
PE	Erde	11	PTC-Fühler (nach DIN 44082)

Die Drehstromausführung wird mit freien Kabelenden geliefert. Der Anschluss an das Stromnetz erfolgt durch das Anklemmen im Schaltgerät.

Der elektrische Anschluss muss durch einen Elektrofachmann erfolgen!

Die Adern des Anschlusskabels sind wie folgt belegt:

7-adriges Anschlusskabel	
Adernummer	Klemme
1	Temperaturüberwachung Wicklung
2	
3	U
4	V

5	W
6	Dichtigkeitsüberwachung Motorraum
grün/gelb (gn-ye)	Erde (PE)

Ist die Pumpe mit einem Stecker ausgestattet, erfolgt der Anschluss an das Stromnetz durch Einstecken des Steckers in die Steckdose.

Die angegebenen Aderbelegungen gelten für die Standardpumpen der PRO-Baureihe.

Die Aderbelegung von freikonfigurierten Pumpen der PRO-Baureihe entnehmen Sie dem beigelegten Anschlussplan dieser Anleitung!

5.5.5. Anschluss der Überwachungseinrichtungen



LEBENSGEFAHR durch Explosion!

Werden die Überwachungseinrichtungen nicht korrekt angeschlossen, besteht beim Einsatz innerhalb von Ex-Bereichen Lebensgefahr durch Explosion! Lassen Sie den Anschluss immer von einem Elektrofachmann ausführen. Beim Einsatz der Pumpe innerhalb von Ex-Bereichen gilt:

- Die Temperaturüberwachung muss über ein Auswertereleis angeschlossen werden! Wir empfehlen hierfür das Relais „CM-MSS“. Der Schwellwert ist hier bereits voreingestellt.
- Die Abschaltung durch die Temperaturbegrenzung muss mit einer Wiedereinschaltsperrung erfolgen! D. h. eine Wiedereinschaltung darf erst dann möglich sein, wenn die „Entsperrtaste“ von Hand betätigt wurde!
- Die Stabelektrode zur Dichtungskammerüberwachung muss über einen eigensicheren Stromkreis mit einem Auswertereleis angeschlossen werden! Wir empfehlen hierfür das Relais „XR-42x“. Der Schwellwert beträgt 30 kOhm.
- Beachten Sie ebenfalls die weiteren Informationen im Anhang!

Alle Überwachungseinrichtungen müssen immer angeschlossen werden!

Temperaturüberwachung Motor

Die Pumpe ist standardmäßig mit einer Temperaturbegrenzung (1-Kreis-Temperaturüberwachung) ausgestattet. Beim Erreichen des Schwellwertes muss eine Abschaltung erfolgen.

Ist eine Temperaturregelung und -begrenzung (2-Kreis-Temperaturüberwachung; optional bestellbar) vorhanden, **kann** mit dem niedrigen Wert eine „Vorwarnung“ und **muss** mit dem höheren Wert die „Abschaltung“ erfolgen.

- Bimetallfühler können beim Einsatz **außerhalb von explosionsgeschützten Bereichen** direkt im Schaltgerät angeschlossen werden.
Anschlusswerte: max. 250 V(AC), 2,5 A, $\cos \varphi = 1$
- PTC-Fühler (optional erhältlich/nach DIN 44082) müssen über ein Auswertereleis angeschlossen werden. Wir empfehlen hierfür das Relais „CM-MSS“. Der Schwellwert ist hier bereits voreingestellt.

Für Wicklungsschäden, die auf nicht geeignete Motorüberwachung zurückzuführen sind, kann aus diesem Grund keine Gewährleistung übernommen werden!

Motorraumüberwachung

- Die Motorraumüberwachung muss über ein Auswertereleis angeschlossen werden. Wir empfehlen hierfür das Relais „NIV 101/A“. Der Schwellwert beträgt 30 kOhm. Beim Erreichen des Schwellwertes muss eine Abschaltung erfolgen.

Anschluss der optional erhältlichen Stabelektrode für die Dichtungskammerüberwachung

- Die Stabelektrode kann beim Einsatz **außerhalb von explosionsgeschützten Bereichen** über das Relais „NIV 101/A“ angeschlossen werden. Der Schwellwert beträgt 30 kOhm. Beim Erreichen des Schwellwertes muss eine Warnung oder Abschaltung erfolgen.

VORSICHT!

Erfolgt nur eine Warnung, kann durch den Wassereintritt die Pumpe einen Totalschaden erleiden. Wir empfehlen immer eine Abschaltung!

5.6. Motorschutz und Einschaltarten

5.6.1. Motorschutz

Die Mindestanforderung für Motoren mit freiem Kabelende ist ein thermisches Relais / Motorschutzschalter mit Temperaturkompensation, Differentialauslösung und Wiedereinschaltsperrung gemäß entsprechender nationaler Vorschriften.

Wird die Pumpe an Stromnetze angeschlossen, in denen häufig Störungen auftreten, so empfehlen wir bauseitig den zusätzlichen Einbau von Schutz-einrichtungen (z. B. Überspannungs-, Unterspannungs- oder Phasenausfallrelais, Blitzschutz, usw.). Des Weiteren empfehlen wir den Einbau eines Fehlerstrom-Schutzschalters (RCD).

Beim Anschluss der Pumpe müssen die örtlichen und gesetzlichen Vorschriften eingehalten werden.

5.6.2. Einschaltarten

Einschaltung Direkt

Bei Volllast sollte der Motorschutz auf den Bemessungsstrom I_t . Typenschild eingestellt werden. Bei Teillastbetrieb wird empfohlen, den Motorschutz 5 % über dem gemessenen Strom im Betriebspunkt einzustellen.

Einschaltung Sanftanlauf

- Bei Volllast sollte der Motorschutz auf den Bemessungsstrom im Betriebspunkt eingestellt werden. Bei Teillastbetrieb wird empfohlen, den Motorschutz

- 5 % über den gemessenen Strom im Betriebspunkt einzustellen.
- Die Stromaufnahme muss während des gesamten Betriebs unterhalb des Nennstromes liegen.
- Wegen des vorgeschalteten Motorschutzes sollte der An- bzw. Auslauf innerhalb 30 s abgeschlossen sein.
- Zur Vermeidung von Verlustleistungen während des Betriebs, den elektronischen Starter (Sanftanlauf) nach Erreichen des Normalbetriebs überbrücken.

Pumpen mit Stecker

Bei Vollast sollte der Motorschutz auf den Bemessungsstrom lt. Typenschild eingestellt werden. Bei Teillastbetrieb wird empfohlen, den Motorschutz 5 % über dem gemessenen Strom im Betriebspunkt einzustellen.

Stecker sind nicht überflutungssicher. Beachten Sie die Angaben zur Schutzklasse (IP). Die Steckdose muss überflutungssicher installiert sein!

5.6.3. Betrieb mit Frequenzumformern

Ein Betrieb am Frequenzumformer ist möglich. Beachten Sie hierzu die Angaben im Anhang.

6. Inbetriebnahme

Das Kapitel „Inbetriebnahme“ beinhaltet alle wichtigen Anweisungen für das Bedienpersonal zur sicheren Inbetriebnahme und Bedienung der Pumpe. Folgende Randbedingungen müssen unbedingt eingehalten und überprüft werden:

- Aufstellungsart
 - Betriebsart
 - Mindestwasserüberdeckung / Max. Eintauchtiefe
- Nach einer längeren Stillstandszeit sind diese Randbedingungen ebenfalls zu prüfen und festgestellte Mängel zu beseitigen!**

Diese Anleitung muss immer bei der Pumpe oder an einem dafür vorgesehenen Platz aufbewahrt werden, wo diese immer für das gesamte Bedienpersonal zugänglich ist.

Um Sach- und Personenschäden bei der Inbetriebnahme der Pumpe zu vermeiden, sind folgende Punkte unbedingt zu beachten:

- Die Inbetriebnahme der Pumpe darf nur von qualifizierten und geschultem Personal unter Beachtung der Sicherheitshinweise durchgeführt werden.
- Das gesamte Personal, das an oder mit der Pumpe arbeitet, muss diese Anleitung erhalten, gelesen und verstanden haben.
- Alle Sicherheitseinrichtungen und Not-Aus-Schaltungen sind angeschlossen und wurden auf eine einwandfreie Funktion geprüft.
- Elektrotechnische und mechanische Einstellungen müssen durch Fachpersonal ausgeführt werden.
- Die Pumpe ist für den Einsatz in den vorgegebenen Betriebsbedingungen geeignet.

- Der Arbeitsbereich der Pumpe ist kein Aufenthaltsbereich und von Personen freizuhalten! Es dürfen sich keine Personen beim Einschalten und/oder während des Betriebs im Arbeitsbereich aufhalten.
- Bei Arbeiten in Schächten muss eine zweite Person anwesend sein. Besteht die Gefahr, dass sich giftige Gase bilden können, muss für eine ausreichende Belüftung gesorgt werden.

6.1. Elektrik

Der Anschluss der Pumpe sowie die Verlegung der Stromzuführungsleitungen erfolgte laut dem Kapitel „Aufstellung“ sowie den national gültigen Vorschriften.

Die Pumpe ist vorschriftsmäßig abgesichert und geerdet.

Achten Sie auf die Drehrichtung! Bei falscher Drehrichtung bringt die Pumpe nicht die angegebene Leistung und kann Schaden nehmen.

Alle Überwachungseinrichtungen sind angeschlossen und wurden auf ihre Funktion geprüft.



GEFAHR durch elektrischen Strom!

Durch unsachgemäßen Umgang mit Strom besteht Lebensgefahr! Alle Pumpen, die mit freien Kabelenden (ohne Stecker) geliefert werden, müssen durch den qualifizierten Elektrofachmann angeschlossen werden.

6.2. Drehrichtungskontrolle

Werkseitig ist die Pumpe auf die richtige Drehrichtung geprüft und eingestellt. Der Anschluss muss laut den Angaben zur Aderbezeichnung erfolgen.

Ein Testlauf muss unter den allgemeinen Betriebsbedingungen erfolgen!

6.2.1. Prüfung der Drehrichtung

Die Drehrichtung muss von einem örtlichen Elektrofachmann mit einem Drehfeldprüfgerät kontrolliert werden. Für die richtige Drehrichtung muss ein rechtsdrehendes Drehfeld vorhanden sein.

Die Pumpe ist nicht für den Betrieb an einem linksdrehenden Drehfeld zugelassen!

6.2.2. Bei falscher Drehrichtung

Bei falscher Drehrichtung müssen bei Motoren im Direktanlauf 2 Phasen getauscht, im Stern-Dreieckanlauf die Anschlüsse zweier Wicklungen getauscht werden, z. B. U1 gegen V1 und U2 gegen V2.

6.3. Niveausteuern

Die Niveausteuern ist auf eine ordnungsgemäße Installation zu prüfen und die Schalterpunkte sind zu kontrollieren. Die benötigten Angaben entnehmen Sie bitte der Einbau- und Betriebsanleitung der Niveausteuern sowie den Planungsunterlagen.

6.4. Betrieb in explosionsgefährdeten Bereichen

Wenn die Pumpe entsprechend gekennzeichnet ist, darf diese innerhalb von Ex-Bereichen eingesetzt werden.



LEBENSGEFAHR durch Explosion!
Pumpen ohne Ex-Kennzeichnung dürfen nicht in Ex-Bereichen eingesetzt werden! Es besteht Lebensgefahr durch Explosion! Prüfen Sie vor der Verwendung, ob Ihre Pumpe eine entsprechende Zulassung hat:

- Ex-Symbol
- Ex-Klassifizierung, z. B. II 2G Ex d IIB T4
- Beachten Sie ebenfalls die weiteren Informationen im Anhang!

6.5. Inbetriebnahme

Die Montage muss ordnungsgemäß laut dem Kapitel „Aufstellung“ erfolgt sein. Dies muss vor dem Einschalten kontrolliert werden.

Kleine Ölleckagen der Gleitringdichtung bei der Anlieferung sind unbedenklich, müssen jedoch vor dem Absenken bzw. Eintauchen in das Fördermedium entfernt werden.

Der Arbeitsbereich der Pumpe ist kein Aufenthaltsbereich! Es dürfen sich keine Personen beim Einschalten und/oder während des Betriebs im Arbeitsbereich aufhalten.

Umgestürzte Pumpen müssen vor dem Wiederaufstellen abgeschaltet werden.



WARNUNG vor Quetschungen!
Bei transportablen Aufstellungen kann die Pumpe beim Einschalten und/oder während des Betriebes umfallen. Stellen Sie sicher, dass die Pumpe auf einem festen Untergrund steht und der Pumpenfuß korrekt montiert ist.

Bei Ausführung mit Stecker ist die IP-Schutzklasse des Steckers zu beachten.

6.5.1. Vor dem Einschalten

- Folgende Punkte sind generell zu überprüfen:
 - Kabelführung – keine Schlaufen, leicht gestrafft
 - Min./Max. Temperatur des Fördermediums
 - Max. Eintauchtiefe
 - Druckseitiges Leitungssystem (Schlauch, Rohrsystem) ist zu reinigen – mit klarem Wasser durchspülen, damit keine Ablagerungen zu Verstopfungen führen
 - Das Hydraulikgehäuse muss vollständig mit dem Medium gefüllt sein und es darf sich keine Luft mehr darin befinden. Die Entlüftung kann durch geeignete Entlüftungsvorrichtungen in der Anlage oder, wenn vorhanden, durch Entlüftungsschrauben am Druckstutzen erfolgen.
 - Überprüfung der Schaltpunkte von vorhandenen Niveausteuerungen bzw. Trockenlaufschutz

- Zubehör auf festen und korrekten Sitz prüfen
- Folgende Punkte sind zusätzlich bei der Nassaufstellung zu prüfen:
 - Der Pumpensumpf ist von groben Verunreinigungen zu reinigen
 - Es sind druckseitig alle Schieber zu öffnen
- Folgende Punkte sind zusätzlich bei der Trockenaufstellung zu prüfen:
 - Saugseitige Rohrleitung ist zu reinigen – mit klarem Wasser durchspülen, damit keine Ablagerungen zu Verstopfungen führen
 - Es sind druck- und saugseitig alle Schieber zu öffnen

Sind während des Betriebs die Schieber auf Saug- und Druckseite geschlossen, wird das Medium im Hydraulikgehäuse durch die Förderbewegung erwärmt. Durch die Erwärmung baut sich im Hydraulikgehäuse ein starker Druck auf. Der Druck kann zur Explosion der Pumpe führen! Prüfen Sie vor dem Einschalten, dass alle Schieber geöffnet sind und öffnen Sie ggf. geschlossene Schieber.

6.5.2. Ein-/Ausschalten

Die Pumpe wird über eine separate, bauseits zustellende, Bedienstelle (Ein-/Ausschalter, Schaltgerät) ein- und ausgeschaltet.

Während des Anfahrvorgangs wird der Nennstrom kurzzeitig überschritten. Nach Beendigung des Anfahrvorganges darf der Nennstrom nicht mehr überschritten werden.

Läuft der Motor nicht an, muss dieser unverzüglich abgeschaltet werden. Vor einem erneuten Einschalten müssen zum einen die Schaltpausen eingehalten werden, zum anderen muss erst die Störung behoben worden sein.

6.6. Verhalten während des Betriebs

Beim Betrieb der Pumpe sind die am Einsatzort geltenden Gesetze und Vorschriften zur Arbeitsplatzsicherung, zur Unfallverhütung und zum Umgang mit elektrischen Maschinen zu beachten. Im Interesse eines sicheren Arbeitsablaufes ist die Arbeitseinteilung des Personals durch den Betreiber festzulegen. Das gesamte Personal ist für die Einhaltung der Vorschriften verantwortlich.

Kreiselpumpen haben konstruktionsbedingt drehende Teile, welche frei zugänglich sind. Betriebsbedingt können sich an diesen Teilen scharfe Kanten bilden.



WARNUNG vor Quetschungen und abgeschnittenen Gliedmaßen!
An den drehenden Teilen in der Hydraulik können sich scharfe Kanten bilden. Diese können zum Quetschen und Abschneiden von Gliedmaßen führen. Während des Betriebes nie in die Hydraulik greifen.

Folgende Punkte müssen in regelmäßigen Abständen kontrolliert werden:

- Betriebsspannung (zulässige Abweichung +/- 5 % der Bemessungsspannung)
- Frequenz (zulässige Abweichung +/- 2 % der Bemessungsfrequenz)
- Stromaufnahme (zulässige Abweichung zwischen den Phasen max. 5 %)
- Spannungsunterschied zwischen den einzelnen Phasen (max. 1 %)
- Schalthäufigkeit und -pausen (siehe Technische Daten)
- Lufteintrag am Zulauf ist zu vermeiden, ggf. muss ein Prallblech angebracht werden
- Mindestwasserüberdeckung
- Schaltpunkte der Niveausteuering bzw. des Trockenlaufschutzes
- Ruhiger Lauf
- Alle Schieber müssen geöffnet sein.

Sind während des Betriebs die Schieber auf Saug- und Druckseite geschlossen, wird das Medium im Hydraulikgehäuse durch die Förderbewegung erwärmt. Durch die Erwärmung baut sich im Hydraulikgehäuse ein starker Druck auf. Der Druck kann zur Explosion der Pumpe führen! Stellen Sie sicher, dass alle Schieber während des Betriebs geöffnet sind.

7. Außerbetriebnahme/Entsorgung

- Sämtliche Arbeiten müssen mit größter Sorgfalt durchgeführt werden.
- Es müssen die nötigen Körperschutzmittel getragen werden.
- Bei Arbeiten in Becken und/oder Behältern sind die entsprechenden örtlichen Schutzmaßnahmen einzuhalten. Es muss eine zweite Person zur Absicherung anwesend sein.
- Zum Heben und Senken der Pumpe müssen technisch einwandfreie Hebemittel und amtlich zugelassene Lastaufnahmemittel verwendet werden.



LEBENSGEFAHR durch Fehlfunktion! Lastaufnahmemittel und Hebemittel müssen technisch einwandfrei sein. Erst wenn das Hebemittel technisch in Ordnung ist, darf mit den Arbeiten begonnen werden. Ohne diese Überprüfungen besteht Lebensgefahr!

7.1. Vorübergehende Außerbetriebnahme

Bei dieser Abschaltung bleibt die Pumpe eingebaut und wird nicht vom Stromnetz getrennt. Bei der vorübergehenden Außerbetriebnahme muss die Pumpe komplett eingetaucht bleiben, damit diese vor Frost und Eis geschützt wird. Es ist zu gewährleisten, dass die Temperatur im Betriebsraum und vom Fördermedium nicht unter +37 °F (+3 °C) sinkt.

Somit ist die Pumpe jederzeit betriebsbereit. Bei längeren Stillstandszeiten sollte in regelmäßigen Abständen (monatlich bis vierteljährlich) ein 5 minütlicher Funktionslauf durchgeführt werden.

VORSICHT!

Ein Funktionslauf darf nur unter den gültigen Betriebs- und Einsatzbedingungen stattfinden. Ein Trockenlauf ist nicht erlaubt! Missachtungen können einen Totalschaden zur Folge haben!

7.2. Endgültige Außerbetriebnahme für Wartungsarbeiten oder Einlagerung

Die Anlage ist abzuschalten und die Pumpe muss vom qualifizierten Elektrofachmann vom Stromnetz getrennt und gegen unbefugtes Wiedereinschalten gesichert werden. Pumpen mit Stecker müssen abgesteckt werden (nicht am Kabel ziehen!). Danach kann mit den Arbeiten für Ausbau, Wartung und Einlagerung begonnen werden.



GEFAHR durch giftige Substanzen! Pumpen, die gesundheitsgefährdende Medien fördern, müssen vor allen anderen Arbeiten dekontaminiert werden! Es besteht sonst Lebensgefahr! Tragen Sie dabei die nötigen Körperschutzmittel!



VORSICHT vor Verbrennungen! Die Gehäuseteile können weit über 104 °F (40 °C) heiß werden. Es besteht Verbrennungsgefahr! Lassen Sie die Pumpe nach dem Ausschalten erst auf Umgebungstemperatur abkühlen.

7.3. Ausbau

7.3.1. Transportable Nassaufstellung

Bei transportabler Nassaufstellung kann die Pumpe nach dem Trennen vom Stromnetz und Entleerung der Druckleitung aus der Grube gehoben werden. Ggf. muss der Schlauch erst demontiert werden. Ggf. muss eine entsprechende Hebevorrichtung verwendet werden.

7.3.2. Stationäre Nassaufstellung

Bei stationärer Nassaufstellung mit Einhängavorrichtung wird die Pumpe über die entsprechenden Hebemittel aus dem Schacht gehoben. Halten Sie während des Hebevorgangs die Stromzuführungsleitung immer leicht gestrafft, um eine Beschädigung dieser zu verhindern.

Der Betriebsraum muss zu diesem Zweck nicht extra geleert werden. Alle druck- und saugseitigen Schieber müssen geschlossen werden, um ein Überlaufen des Betriebsraumes bzw. eine Entleerung der Druckrohrleitung zu verhindern.

7.3.3. Stationäre Trockenaufstellung

Bei stationärer Trockenaufstellung müssen vor dem Ausbau die saug- und druckseitigen Schieber geschlossen werden. Beim Ausbau ist zu beachten, dass das Medium im Hydraulikgehäuse während des Ausbaus ausläuft. Es sind geeignete Auffangbehälter zu platzieren, um die anfallenden Mengen komplett aufzufangen!

Nach dem Lösen der Verschraubungen am Saug- und Druckanschluss kann die Pumpe mit einem geeigneten Hebemittel demontiert werden. Der Betriebsraum ist nach dem Ausbau gründlich zu reinigen und evtl. Tropfmengen müssen aufgenommen werden.

7.4. Rücklieferung/Einlagerung

Für den Versand müssen die Teile in reißfesten und ausreichend großen Kunststoffsäcken dicht verschlossen und auslaufsicher verpackt werden.

Beachten Sie für die Rücklieferung und Einlagerung ebenfalls das Kapitel „Transport und Lagerung“!

7.5. Entsorgung

7.5.1. Betriebsmittel

Öle und Schmierstoffe sind in geeigneten Behälter aufzufangen und laut den lokalen Richtlinien zu entsorgen.

7.5.2. Schutzkleidung

Die bei Reinigungs- und Wartungsarbeiten getragene Schutzbekleidung ist laut den lokalen Richtlinien zu entsorgen.

7.5.3. Produkt

Mit der ordnungsgemäßen Entsorgung dieses Produktes werden Umweltschäden und eine Gefährdung der persönlichen Gesundheit vermieden.

- Zur Entsorgung des Produktes sowie Teile davon, sind die öffentlichen oder privaten Entsorgungsgesellschaften in Anspruch zunehmen bzw. zu kontaktieren.
- Weitere Informationen zur sachgerechten Entsorgung werden bei der Stadtverwaltung, dem Entsorgungsamt oder dort wo das Produkt erworben wurde, erteilt.

8. Instandhaltung



LEBENSGEFAHR durch elektrischen Strom!
Bei Arbeiten an elektrischen Geräten besteht Lebensgefahr durch Stromschlag. Bei allen Wartungs- und Reparaturarbeiten ist die Pumpe vom Netz zu nehmen und gegen unbefugtes Wiedereinschalten zu sichern. Schäden an der Stromzuführungsleitung sind grundsätzlich nur durch einen qualifizierten Elektrofachmann zu beheben.



LEBENSGEFAHR durch unzulässige Arbeiten!
Wartungs- oder Reparaturarbeiten, welche die Sicherheit des Ex-Schutzes beeinträchtigen, dürfen nur vom Hersteller oder von autorisierten Servicewerkstätten durchgeführt werden! Beachten Sie ebenfalls die weiteren Informationen im Anhang!

- Vor Wartungs- und Reparaturarbeiten ist die Pumpe laut dem Kapitel Außerbetriebnahme/Entsorgung abzuschalten und auszubauen.
- Nach erfolgten Wartungs- und Reparaturarbeiten ist die Pumpe laut dem Kapitel Aufstellung einzubauen und anzuschließen.
- Das Einschalten der Pumpe muss laut dem Kapitel Inbetriebnahme erfolgen. Folgende Punkte sind zu beachten:
- Sämtliche Wartungs- und Reparaturarbeiten müssen vom Wilo-Kundendienst, von autorisierten Servicewerkstätten oder von geschultem Fachpersonal mit größter Sorgfalt, an einem sicheren Arbeitsplatz durchgeführt werden. Es müssen die nötigen Körperschuttmittel getragen werden.
- Diese Anleitung muss dem Wartungspersonal vorliegen und beachtet werden. Es dürfen nur Wartungs- und Reparaturarbeiten durchgeführt werden, die hier aufgeführt sind.

Weiterführende Arbeiten und/oder bauliche Veränderungen dürfen nur durch den Wilo-Kundendienst erfolgen!

- Bei Arbeiten in Becken und/oder Behältern sind unbedingt die entsprechenden örtlichen Schutzmaßnahmen einzuhalten. Es muss eine zweite Person zur Absicherung anwesend sein.
- Zum Heben und Senken der Pumpe müssen technisch einwandfreie Hebemittel und amtlich zugelassene Lastaufnahmemittel verwendet werden. Es ist sicherzustellen, dass sich die Pumpe beim Heben und Senken nicht verklemmt. Sollte sich die Pumpe dennoch verklemmen, dürfen keine höheren Hebekräfte als das 1,2-fache des Pumpengewichts entstehen! Die max. zulässige Tragfähigkeit darf niemals überschritten werden!

Überzeugen Sie sich, dass Anschlagmittel, Seile und die Sicherheitseinrichtungen der Hebemittel technisch einwandfrei sind. Nur wenn das Hebemittel technisch in Ordnung ist, darf mit den Arbeiten begonnen werden. Ohne diese Überprüfungen besteht Lebensgefahr!

- Elektrische Arbeiten an der Pumpe und der Anlage müssen vom Elektrofachmann durchgeführt werden. Defekte Sicherungen müssen getauscht werden. Sie dürfen keinesfalls repariert werden! Es dürfen nur Sicherungen mit der angegebenen Stromstärke und der vorgeschriebenen Art verwendet werden.

- Bei Einsatz von leicht entzündbaren Lösungs- und Reinigungsmitteln ist offenes Feuer, offenes Licht sowie Rauchen verboten.
- Pumpen, die gesundheitsgefährdende Medien umwälzen oder mit diesen in Kontakt stehen, müssen dekontaminiert werden. Ebenso ist darauf zu achten, dass sich keine gesundheitsgefährdenden Gase bilden oder vorhanden sind.

Bei Verletzungen durch gesundheitsgefährdende Medien bzw. Gase sind Erste-Hilfe-Maßnahmen laut Aushang der Betriebsstätte einzuleiten und es ist sofort ein Arzt aufzusuchen!

- Achten Sie darauf, dass das benötigte Werkzeug und Material vorhanden ist. Ordnung und Sauberkeit gewährleisten ein sicheres und einwandfreies Arbeiten an der Pumpe. Entfernen Sie nach dem Arbeiten gebrauchtes Putzmaterial und Werkzeug von der Pumpe. Bewahren Sie sämtliche Materialien und Werkzeuge an dem dafür vorgesehenen Platz auf.
- Betriebsmittel sind in geeigneten Behältern aufzufangen und vorschriftsmäßig zu entsorgen. Bei Wartungs- und Reparaturarbeiten ist eine entsprechende Schutzbekleidung zu tragen. Diese ist ebenfalls vorschriftsmäßig zu entsorgen.

8.1. Betriebsmittel

8.1.1. Übersicht Weißöl

In die Dichtungskammer ist ein Weißöl eingefüllt, welches potenziell biologisch abbaubar ist. Für einen Ölwechsel empfehlen wir die folgenden Ölsorten:

- Aral Autin PL*
 - Shell ONDINA 919
 - Esso MARCOL 52* bzw. 82*
 - BP WHITEMORE WOM 14*
 - Texaco Pharmaceutical 30* bzw. 40*
- Alle Ölsorten mit einem „*“ haben eine Lebensmittelzulassung nach „USDA-H1“.

Füllmengen

Die Füllmengen sind vom Motor abhängig:

- P 13.1: 30 oz (900 ml)
- P 13.2: 50 oz (1500 ml)
- P 17: 61 oz (1800 ml)

8.1.2. Übersicht Schmierfett

Als Schmierfett nach DIN 51818 / NLGI Klasse 3 können verwendet werden:

- Esso Unirex N3

8.2. Wartungstermine

Um einen zuverlässigen Betrieb sicherzustellen, müssen in regelmäßigen Intervallen verschiedene Wartungsarbeiten durchgeführt werden.

Die Wartungsintervalle müssen entsprechend der Beanspruchung der Pumpe festgelegt werden! Unabhängig von den festgelegten Wartungsintervallen ist eine Kontrolle der Pumpe oder der Installation

notwendig, wenn während des Betriebes starke Vibrationen auftreten.

Beim Einsatz in Abwasser-Hebeanlagen innerhalb von Gebäuden oder Grundstücken müssen die Wartungstermine und -arbeiten laut den lokalen Richtlinien erfolgen. Prüfen Sie diese Anforderungen bitte vor Ort!

8.2.1. Intervalle für normale Betriebsbedingungen

2 Jahre

- Sichtprüfung der Stromzuführungsleitung
- Sichtprüfung von Zubehör
- Sichtprüfung der Beschichtung und der Gehäuse auf Verschleiß
- Funktionsprüfung aller Sicherheits- und Überwachungseinrichtungen
- Überprüfung der verwendeten Schaltgeräte/Relais
- Ölwechsel



HINWEIS

Ist eine Dichtungskammerüberwachung verbaut erfolgt der Ölwechsel laut Anzeige!

15000 Betriebsstunden oder spätestens nach 10 Jahren

- Generalüberholung

8.2.2. Intervalle für erschwerte Betriebsbedingungen

Bei erschwerten Betriebsbedingungen sind die angegebenen Wartungsintervalle entsprechend zu verkürzen. Wenden Sie sich in diesem Fall bitte an den Wilo-Kundendienst. Beim Einsatz der Pumpe unter erschwerten Bedingungen empfehlen wir Ihnen auch den Abschluss eines Wartungsvertrages. Erschwerte Betriebsbedingungen liegen vor:

- Bei einem hohen Anteil von Faserstoffen oder Sand im Medium
- Bei turbulentem Zulauf (z. B. bedingt durch Lufteintrag, Kavitation)
- Stark korrodierende Medien
- Stark gasende Medien
- Ungünstige Betriebspunkte
- Wasserschlag-gefährdende Betriebszustände

8.2.3. Empfohlene Wartungsmaßnahmen zur Sicherstellung eines reibungslosen Betriebs

Wir empfehlen eine regelmäßige Kontrolle der Stromaufnahme und der Betriebsspannung auf allen 3 Phasen. Bei normalem Betrieb bleiben diese Werte konstant. Leichte Schwankungen sind von der Beschaffenheit des Fördermediums abhängig. Anhand der Stromaufnahme können Beschädigungen und/oder Fehlfunktionen von Laufrad, Lager und/oder Motor frühzeitig erkannt und behoben werden. Größere Spannungsschwankungen belasten die Motorwicklung und können zum Ausfall der Pumpe führen. Durch eine regelmäßige Kontrolle können somit größere Folgeschäden weitgehend verhindert

und das Risiko eines Totalausfalls gesenkt werden. Hinsichtlich einer regelmäßigen Kontrolle empfehlen wir den Einsatz einer Fernüberwachung. Bitte sprechen Sie für diesen Fall den Wilo-Kundendienst an.

8.3. Wartungsarbeiten

Vor der Durchführung von Wartungsarbeiten gilt:

- Pumpe spannungsfrei schalten und gegen unbeabsichtigtes Einschalten sichern.
- Pumpe abkühlen lassen und gründlich reinigen.
- Achten Sie auf einen guten Zustand aller betriebsrelevanten Teile.

8.3.1. Sichtprüfung der Stromzuführungsleitung

Die Stromzuführungsleitungen müssen auf Blasen, Risse, Kratzer, Scheuerstellen und/oder Quetschstellen untersucht werden. Beim Feststellen von Schäden muss die Pumpe sofort Außerbetrieb genommen und die beschädigte Stromzuführungsleitung getauscht werden.

Die Kabel dürfen nur vom Wilo-Kundendienst oder einer autorisierten bzw. zertifizierten Servicewerkstatt getauscht werden. Die Pumpe darf erst wieder in Betrieb genommen werden, nachdem der Schaden fachgerecht behoben wurde!

8.3.2. Sichtprüfung von Zubehör

Das Zubehör ist auf einen korrekten Sitz und einwandfreie Funktion zu überprüfen. Loses und/oder defektes Zubehör ist sofort zu reparieren bzw. auszutauschen.

8.3.3. Sichtprüfung der Beschichtung und Gehäuse auf Verschleiß

Die Beschichtungen sowie die Gehäuseteile dürfen keine Beschädigungen aufweisen. Sollten sichtbare Schäden an den Beschichtungen vorhanden sein, bessern Sie die Beschichtung entsprechend aus. Sind sichtbare Schäden an den Gehäuseteilen vorhanden, halten Sie Rücksprache mit dem Wilo-Kundendienst.

8.3.4. Funktionsprüfung der Sicherheits- und Überwachungseinrichtungen

Überwachungseinrichtungen sind z. B. Temperaturfühler im Motor, Feuchtigkeitselektroden, Motorschutzrelais, Überspannungsrelais usw.

- Motorschutz-, Überspannungsrelais sowie sonstige Auslöser können generell zum Testen manuell ausgelöst werden.
- Zum Prüfen der Stabelektrode oder der Temperaturfühler muss die Pumpe auf Umgebungstemperatur abgekühlt und die elektrische Anschlussleitung der Überwachungseinrichtung im Schaltgerät abgeklemmt werden. Mit einem Ohmmeter wird dann die Überwachungseinrichtung überprüft. Folgende Werte sollten gemessen werden:
 - Bimetallfühler: Wert gleich „0“-Durchgang

- PTC-/Kaltleiterfühler: Ein Kaltleiterfühler hat einen Kaltwiderstand zwischen 20 und 100 Ohm. Bei 3 Fühlern in Serie würde das einen Wert von 60 bis 300 Ohm ergeben. Bei 4 Fühlern in Serie würde das einen Wert von 80 bis 400 Ohm ergeben.
- Stabelektrode: Der Wert muss gegen „unendlich“ gehen. Bei niedrigen Werten ist Wasser im Öl. Bitte beachten Sie auch die Hinweise des optional erhältlichen Auswerterelais.

Bei größeren Abweichungen halten Sie bitte Rücksprache mit dem Hersteller!

8.3.5. Überprüfung der verwendeten Schaltgeräte/Relais

Die einzelnen Arbeitsschritte zur Überprüfung der verwendeten Schaltgeräte/Relais entnehmen Sie bitte der jeweiligen Betriebsanleitung. Defekte Geräte müssen sofort ausgetauscht werden, da diese keinen Schutz für die Pumpe gewährleisten.

8.3.6. Ölwechsel der Dichtungskammer

Die Dichtungskammer hat eine Öffnung zum Entleeren und Befüllen der Kammer.



WARNUNG vor Verletzungen durch heiße und/oder unter Druck stehenden Betriebsmittel! Das Öl ist nach dem Abschalten noch heiß und steht unter Druck. Dadurch kann die Verschlusschraube herausgeschleudert werden und heißes Öl austreten. Es besteht Verletzungs- bzw. Verbrennungsgefahr! Lassen Sie das Öl erst auf Umgebungstemperatur abkühlen.

Fig. 8.: Verschlusschrauben

1 Verschlusschraube

1. Pumpe auf einer festen Unterlage horizontal auflegen, so dass die Verschlusschraube nach oben zeigt.
Achten Sie darauf, dass die Pumpe nicht umfallen und/oder wegrutschen kann!
2. Verschlusschraube vorsichtig und langsam herausdrehen.
Achtung: Das Betriebsmittel kann unter Druck stehen! Dadurch kann die Schraube herausgeschleudert werden.
3. Betriebsmittel ablassen, indem Sie die Pumpe soweit drehen, bis die Öffnung nach unten zeigt. Das Betriebsmittel ist in einem geeigneten Behälter aufzufangen und lt. den Anforderungen im Kapitel „Entsorgung“ zu entsorgen.
4. Drehen Sie die Pumpe wieder zurück, bis die Öffnung wieder nach oben zeigt.
5. Füllen Sie das neue Betriebsmittel über die Öffnung der Verschlusschraube ein. Das Öl muss bis ca. 0,4 in (1 cm) unterhalb der Öffnung reichen.

Beachten Sie die empfohlenen Betriebsmittel und Füllmengen!

6. Verschlusschraube reinigen, mit neuem Dichtring bestücken und wieder eindrehen.

8.3.7. Generalüberholung

Bei einer Generalüberholung werden zu den normalen Wartungsarbeiten zusätzlich die Motorlager, Wellendichtungen, O-Ringe und die Stromzuführungsleitungen kontrolliert und ggf. ausgetauscht. Diese Arbeiten dürfen nur vom Hersteller oder einer autorisierten Servicewerkstatt durchgeführt werden.

9. Störungssuche und -behebung

Um Sach- und Personenschäden bei der Beseitigung von Störungen an der Pumpe zu vermeiden, sind folgende Punkte unbedingt zu beachten:

- Beseitigen Sie eine Störung nur dann, wenn Sie über qualifiziertes Personal verfügen, d. h. die einzelnen Arbeiten sind von geschultem Fachpersonal durchzuführen, z. B. elektrische Arbeiten müssen vom Elektrofachmann durchgeführt werden.
- Sichern Sie die Pumpe immer gegen unbeabsichtigtes Wiederanlaufen, indem Sie dieses vom Stromnetz wegschalten. Treffen Sie geeignete Vorsichtsmaßnahmen.
- Gewährleisten Sie jederzeit die Sicherheitsabschaltung der Pumpe durch eine zweite Person.
- Sichern Sie bewegliche Teile, damit sich niemand verletzen kann.
- Eigenmächtige Änderungen an der Pumpe erfolgen auf eigene Gefahr und entheben den Hersteller von jeglichen Gewährleistungsansprüchen!

Störung: Aggregat läuft nicht an

1. Unterbrechung in der Stromzuführung, Kurzschluss bzw. Erdschluss an der Leitung und/oder Motorwicklung
 - Leitung und Motor vom Fachmann prüfen und ggf. erneuern lassen
2. Auslösen von Sicherungen, Motorschutzschalter und/oder Überwachungseinrichtungen
 - Anschlüsse vom Fachmann prüfen und ggf. ändern lassen.
 - Motorschutzschalter und Sicherungen nach den technischen Vorgaben einbauen bzw. einstellen lassen, Überwachungseinrichtungen zurücksetzen.
 - Laufrad auf Leichtgängigkeit prüfen und ggf. reinigen bzw. wieder gangbar machen
3. Dichtungskammerüberwachung (optional) hat den Stromkreis unterbrochen (Betreiber abhängig)
 - Siehe Störung: Leckage der Gleitringdichtung, Dichtungskammerüberwachung meldet Störung bzw. schaltet die Pumpe ab

Störung: Aggregat läuft an, Motorschutzschalter löst aber kurz nach Inbetriebnahme aus

1. Thermischer Auslöser am Motorschutzschalter falsch eingestellt
 - Vom Fachmann die Einstellung des Auslösers mit den technischen Vorgaben vergleichen und ggf. korrigieren lassen
2. Erhöhte Stromaufnahme durch größeren Spannungsabfall
 - Vom Fachmann die Spannungswerte der einzelnen Phasen prüfen und ggf. den Anschluss ändern lassen
3. 2 Phasenlauf
 - Anschluss vom Fachmann prüfen und ggf. korrigieren lassen
4. Zu große Spannungsunterschiede auf den 3 Phasen
 - Anschluss und Schaltanlage vom Fachmann prüfen und ggf. korrigieren
5. Falsche Drehrichtung
 - 2 Phasen der Netzleitung vertauschen
6. Laufrad durch Verklebungen, Verstopfungen und/oder Festkörper abgebremst, erhöhte Stromaufnahme
 - Pumpe abschalten, gegen Wiedereinschalten sichern, Laufrad gangbar machen bzw. Saugstutzen reinigen
7. Dichte des Mediums ist zu hoch
 - Rücksprache mit dem Hersteller

Störung: Aggregat läuft, aber fördert nicht

1. Kein Fördermedium vorhanden
 - Zulauf für Behälter bzw. Schieber öffnen
2. Zulauf verstopft
 - Zuleitung, Schieber, Ansaugstück, Saugstutzen bzw. Saugsieb reinigen
3. Laufrad blockiert bzw. abgebremst
 - Pumpe abschalten, gegen Wiedereinschalten sichern, Laufrad gangbar machen
4. Defekter Schlauch / Rohrleitung
 - Defekte Teile austauschen
5. Intermittierender Betrieb
 - Schaltanlage prüfen

Störung: Aggregat läuft, die angegebenen Betriebsparameter werden nicht eingehalten

1. Zulauf verstopft
 - Zuleitung, Schieber, Ansaugstück, Saugstutzen bzw. Saugsieb reinigen
2. Schieber in der Druckleitung geschlossen
 - Schieber ganz öffnen
3. Laufrad blockiert bzw. abgebremst
 - Pumpe abschalten, gegen Wiedereinschalten sichern, Laufrad gangbar machen
4. Falsche Drehrichtung
 - 2 Phasen der Netzleitung tauschen
5. Luft in der Anlage
 - Rohrleitungen, Druckmantel und/oder Hydraulik prüfen und ggf. entlüften

6. Pumpe fördert gegen zu hohen Druck
 - Schieber in der Druckleitung prüfen, ggf. ganz öffnen, anderes Laufrad verwenden, Rücksprache mit dem Werk
7. Verschleißerscheinungen
 - Verschlissene Teile austauschen
8. Defekter Schlauch / Rohrleitung
 - Defekte Teile austauschen
9. Unzulässiger Gehalt an Gasen im Fördermedium
 - Rücksprache mit dem Werk
10. 2 Phasenlauf
 - Anschluss vom Fachmann prüfen und ggf. korrigieren lassen
11. Zu starke Wasserspiegelabsenkung während des Betriebs
 - Versorgung und Kapazität der Anlage prüfen, Einstellungen und Funktion der Niveausteuerng kontrollieren

Störung: Aggregat läuft unruhig und geräuschvoll

1. Pumpe läuft im unzulässigen Betriebsbereich
 - Betriebsdaten der Pumpe prüfen und ggf. korrigieren und/oder Betriebsverhältnisse anpassen
2. Saugstutzen, -sieb und/oder Laufrad verstopft
 - Saugstutzen, -sieb und/oder Laufrad reinigen
3. Laufrad schwergängig
 - Pumpe abschalten, gegen wiedereinschalten sichern, Laufrad gangbar machen
4. Unzulässiger Gehalt an Gasen im Fördermedium
 - Rücksprache mit dem Werk
5. 2 Phasenlauf
 - Anschluss vom Fachmann prüfen und ggf. korrigieren lassen
6. Falsche Drehrichtung
 - 2 Phasen der Netzleitung tauschen
7. Verschleißerscheinungen
 - Verschlissene Teile austauschen
8. Motorlager defekt
 - Rücksprache mit dem Werk
9. Pumpe verspannt eingebaut
 - Montage überprüfen, ggf. Gummikompensatoren verwenden

Störung: Leckage der Gleitringdichtung, Dichtungskammerüberwachung meldet Störung bzw. schaltet das Aggregat ab

1. Kondenswasserbildung durch längere Lagerung und/oder hohe Temperaturschwankungen
 - Pumpe kurz (max. 5 min) ohne Stabelektrode betreiben
2. Erhöhte Leckage beim Einlauf neuer Gleitringdichtungen
 - Ölwechsel vornehmen
3. Kabel der Stabelektrode defekt
 - Stabelektrode austauschen
4. Gleitringdichtung defekt
 - Gleitringdichtung austauschen, Rücksprache mit dem Werk!

Weiterführende Schritte zur Störungsbehebung

Helfen die hier genannten Punkte nicht die Störung zu beseitigen, kontaktieren Sie den Wilo-Kundendienst. Dieser kann Ihnen wie folgt weiterhelfen:

- Telefonische und/oder schriftliche Hilfestellung durch den Wilo-Kundendienst
- Vor Ort Unterstützung durch den Wilo-Kundendienst
- Überprüfung bzw. Reparatur der Pumpe im Werk

Beachten Sie, dass Ihnen durch die Inanspruchnahme gewisser Leistungen unseres Kundendienstes, weitere Kosten entstehen können! Genaue Angaben hierzu erhalten Sie vom Wilo-Kundendienst.

10. Anhang

10.1. Betrieb mit Frequenzumformern

Unter Beachtung der IEC 60034-17 kann jeder Motor in Serienausführung verwendet werden. Bei Bemessungsspannungen über 415 V/50 Hz bzw. 480 V/60 Hz ist eine Rückfrage im Werk erforderlich. Die Bemessungsleistung des Motors sollte wegen der zusätzlichen Erwärmung durch Oberwellen ca. 10 % über dem Leistungsbedarf der Pumpe liegen. Bei Frequenzumrichtern mit oberwellenarmen Ausgang kann die Leistungsreserve von 10 % eventuell reduziert werden. Dies wird meist durch die Verwendung von Ausgangsfiltern erreicht. **Des Weiteren sind die Standardmotoren nicht mit geschirmten Kabeln ausgestattet.** Entsprechend sind Frequenzumrichter und Filter aufeinander abzustimmen. Fragen Sie den Hersteller.

Die Auslegung des Frequenzumrichters erfolgt nach dem Motornennstrom. Es ist darauf zu achten, dass die Pumpe, besonders im unteren Drehzahlbereich, ruck- und schwingungsfrei arbeitet. Die Gleitringdichtungen könnten sonst schadhaf und undicht werden. Des Weiteren muss auf die Fließgeschwindigkeit in der Rohrleitung geachtet werden. Ist die Fließgeschwindigkeit zu niedrig, steigt die Gefahr der Ablagerung von Feststoffen in der Pumpe und der angeschlossenen Rohrleitung. **Wir empfehlen deshalb eine mind. Fließgeschwindigkeit von 2,3 ft/s (0,7 m/s) bei einem manometrischen Förderdruck von 5,8 psi (0,4 bar).**

Wichtig ist, dass die Pumpe im gesamten Regelbereich ohne Schwingungen, Resonanzen, Pendelmomenten und übermäßigen Geräuschen arbeitet (eventuell im Werk rückfragen). Ein erhöhtes Motorengeräusch wegen der oberwellenbehafteten Stromversorgung ist normal.

Bei der Parametrierung des Frequenzumrichters sollte unbedingt auf die Einstellung der quadratischen Kennlinie (U/f Kennlinie) für Pumpen und Lüfter geachtet werden! Diese sorgt dafür, dass die Ausgangsspannung bei Frequenzen größer der Nennfrequenz (50 Hz bzw. 60 Hz) dem Leistungsbedarf der Pumpe angepasst wird. Neuere Frequenzumrichter bieten auch eine automatische Energie-

optimierung – diese erzielt den gleichen Effekt. Für die Einstellung des Frequenzumrichters beachten Sie bitte die Betriebsanleitung des Frequenzumrichters.

Bei Motoren, die mit Frequenzumrichter gespeist werden, können je nach Frequenzumrichtertyp und Installationsbedingungen Störungen der Motorüberwachung auftreten. Folgende allgemeine Maßnahmen können dazu beitragen Störungen zu reduzieren bzw. zu vermeiden:

- Einhaltung der Grenzwerte nach IEC 60034-17 bezüglich Spannungsspitzen und Anstiegsge-
schwindigkeit (eventuell sind Ausgangsfilter
notwendig).
- Variation der Pulsfrequenz des Frequenzumrichters.
- Bei Störungen der Überwachung der Dichtungs-
kammer verwenden Sie unsere externe Doppelstab-
elektrode.

Folgende bauliche Maßnahmen könnten ebenso zur Reduzierung bzw. Vermeidung von Störungen beitragen:

- Verwendung von geschirmten Stromzuführungs-
leitungen.

Zusammenfassung

- Dauerbetrieb zwischen 1 Hz und Nennfrequenz
(50 Hz bzw. 60 Hz), unter Beachtung der mind.
Fließgeschwindigkeit
- Zusätzliche Maßnahmen bezüglich EMV beachten
(Auswahl des Frequenzumrichters, Verwendung von
Filtern, usw.)
- Nie den Nennstrom und die Nenndrehzahl des Mo-
tors überschreiten.
- Anschluss der motoreigenen Temperaturüberwa-
chung (Bimetall- oder PTC-Fühler) muss möglich
sein.

10.2. Ex-Zulassung

Dieses Kapitel enthält spezielle Informationen für Besitzer und Betreiber von Pumpen, welche für den Betrieb in explosionsgefährdeter Umgebung gebaut und beglaubigt sind.

Es erweitert und ergänzt somit die Standard-
anweisungen für diese Pumpe. Des weiteren ergänzt
und/oder erweitert es auch das Kapitel „Allgemei-
nen Sicherheitshinweise“ und muss somit von allen
Benutzern und Bedienern der Pumpe gelesen und
verstanden werden.

**Dieses Kapitel gilt nur für Pumpen mit einer Ex-
Zulassung und enthält dafür zusätzliche Anwei-
sungen!**

10.2.1. Kennzeichnung von Ex-zugelassenen Pumpen

Pumpen, die für den Einsatz in explosiven Atmo-
sphären zugelassen sind, werden wie folgt auf dem
Typenschild gekennzeichnet:

- „Ex“-Symbol der entsprechenden Zulassung
- Angaben zur Ex-Klassifizierung

10.2.2. Zulassung nach FM

Die Motoren sind von der anerkannten Prüfungs-
und Zulassungsbehörde „FM Approvals“ gemäß den
Normen FMRC 3600, 3615, 3615.80 und ANSI/UL-
1004 zertifiziert. Die Motoren sind zugelassen für
den Betrieb in explosionsgefährdenden Bereichen,
die elektrische Geräte der Schutzart „Explosion-
proof, Class 1, Division 1“ benötigen.

Somit ist auch ein Betrieb in Bereichen mit der
geforderten Schutzart „Explosionproof, Class 1,
Division 2“ nach FM-Standard möglich.

10.2.3. FM-Klassifizierung

Die Ex-Kennzeichnung



CLASS I, DIV. 1, GROUPS C, D
CLASS II, DIV. 1, GROUPS E, F, G
CLASS III
TEMPERATURE CODE T3C

sagt folgendes aus:

- Class 1=Gase, Dämpfe, Nebel
Division 1 = Ex-Atmosphäre ständig oder gelegent-
lich unter normalen Bedingungen vorhanden
Groups C, D = Gasgruppen: Ethylen (C), Propan (D)
- Class 2=Stäube
Division 1 = Ex-Atmosphäre ständig oder gelegent-
lich unter normalen Bedingungen vorhanden
Groups E, F, G = Staubgruppen: Metall (E), Kohle (F),
Getreide (G)
- Class 3=Fasern und Flusen
- T3C=max. Oberflächentemperatur der Pumpe
320 °F (160 °C)
Ebenso sind auf dem Typenschild die Angaben für
die max. Eintauchtiefe und die max. Temperatur des
Fördermediums vermerkt.

Schutzart „Explosion proof“

Motoren dieser Schutzart müssen mit einer
Temperaturbegrenzung ausgestattet werden.

Austauschbetrieb

Ein austauschen des Motors während des Betriebs ist
nicht zulässig!

10.2.4. Elektrischer Anschluss



LEBENSGEFAHR durch elektrischen Strom!
Bei unsachgemäßem elektrischem Anschluss
besteht Lebensgefahr durch Stromschlag und/
oder Explosion. Elektrischen Anschluss nur
durch vom örtlichen Energieversorger zugelas-
senen Elektrofachmann und entsprechend den
örtlich geltenden Vorschriften ausführen lassen.

Zusätzlich zu den Informationen im Kapitel „Elekt-
rischer Anschluss“ sind für Ex-zugelassene Pumpen
die folgenden Punkte zu beachten:

- Der Anschluss der Stromzuführungsleitung muss
außerhalb des Ex-Bereiches oder innerhalb eines

Gehäuses, mit einer eigenen zugelassenen Zündschutzart erfolgen!

- Spannungstoleranz: $\pm 10\%$
- Alle Überwachungseinrichtungen außerhalb der „zünddurchschlagsicheren Bereiche“ müssen über ein Ex-Trennrelais angeschlossen werden. Wir empfehlen hierfür das Relais XR-42x.

Anschluss der Temperaturüberwachung

Der Motor ist mit einer Temperaturbegrenzung (1-Kreis-Temperaturüberwachung) ausgestattet. Optional kann der Motor mit einer Temperaturregelung und -begrenzung (2-Kreis-Temperaturüberwachung) ausgestattet sein.



LEBENSGEFAHR durch fehlerhaften Anschluss! Durch Überhitzung des Motors besteht Explosionsgefahr! Die Temperaturbegrenzung muss so angeschlossen werden, dass beim Auslösen eine Wiedereinschaltung erst dann möglich ist, wenn eine „Entsperrtaste“ von Hand betätigt wurde!

Bei einer 2-Kreis-Temperaturüberwachung kann über die Temperaturregelung eine automatische Wiedereinschaltung erfolgen. Hierbei muss die Angabe zur max. Schalzhäufigkeit von 15/h mit einer 3-minütlichen Pause eingehalten werden.

- Bimetall-Fühler müssen über ein Auswertrelais angeschlossen werden. Wir empfehlen hierfür das Relais „CM-MSS“. Der Schwellwert ist hier bereits voreingestellt.
Anschlusswerte: max. 250 V(AC), 2,5 A, $\cos \varphi = 1$
- PTC-Fühler (optional erhältlich/nach DIN 44082) müssen über ein Auswertrelais angeschlossen werden. Wir empfehlen hierfür das Relais „CM-MSS“. Der Schwellwert ist hier bereits voreingestellt.
Beim Erreichen des Schwellwertes muss eine Abschaltung erfolgen.

Motorraumüberwachung

- Die Motorraumüberwachung muss über ein Auswertrelais angeschlossen werden. Wir empfehlen hierfür das Relais „NIV 101/A“. Der Schwellwert beträgt 30 kOhm. Beim Erreichen des Schwellwertes muss eine Abschaltung erfolgen.

Anschluss Dichtungskammerüberwachung

- Die Stabelektrode muss über ein Auswertrelais angeschlossen werden! Wir empfehlen hierfür das Relais „XR-42x“. Der Schwellwert beträgt 30 kOhm.
- Der Anschluss muss über einen eigensicheren Stromkreis erfolgen!
Folgende Anschlusswerte sind einzuhalten:
 - max. 30 Vrms (60 V Spitze)
 - max. 60 VDC
 - max. 0,5 mA

Betrieb am Frequenzumformer

- Dauerbetrieb bis Nennfrequenz (50 Hz bzw. 60 Hz), unter Beachtung der mind. Fließgeschwindigkeit
- Zusätzliche Maßnahmen bezüglich EMV beachten (Auswahl des Umrichters, Verwendung von Filtern, usw.)
- Nie den Nennstrom und die Nenndrehzahl des Motors überschreiten.
- Anschluss der motoreigenen Temperaturüberwachung (Bimetall- oder PTC-Fühler) muss möglich sein.

10.2.5. Inbetriebnahme



LEBENSGEFAHR durch Explosion! Pumpen ohne Ex-Kennzeichnung dürfen nicht in Ex-Bereichen eingesetzt werden! Es besteht Lebensgefahr durch Explosion! Beachten Sie die folgende Punkte für den Einsatz in Ex-Bereichen:

- Die Pumpe muss für den Einsatz innerhalb von Ex-Bereichen zugelassen sein!
- Der Anschluss der Stromzuführungsleitung muss außerhalb des Ex-Bereiches oder innerhalb eines Gehäuses, mit einer eigenen zugelassenen Zündschutzart, erfolgen!
- Schaltgeräte müssen außerhalb des Ex-Bereiches oder innerhalb eines Gehäuses, mit einer eigenen zugelassenen Zündschutzart, installiert werden! Des Weiteren müssen diese für den Betrieb von Pumpen mit Ex-Zulassung ausgelegt sein.
- Das angebaute Zubehör muss für die Verwendung an Ex-Pumpen zugelassen sein!



LEBENSGEFAHR durch Explosion! Das Hydraulikgehäuse muss während des Betriebes vollständig geflutet (vollständig mit dem Fördermedium gefüllt) sein. Bei ausgetauchtem Hydraulikgehäuse und/oder Luft in der Hydraulik kann es durch Funkenschlag z. B. durch statische Aufladung, zur Explosion kommen! Stellen Sie eine Abschaltung durch einen Trockenlaufschutz sicher.

Zusätzlich zu den Informationen im Kapitel „Inbetriebnahme“ sind für Ex-zugelassene Pumpen die folgenden Punkte zu beachten:

- Die Definition des Ex-Bereiches obliegt dem Betreiber. Innerhalb eines Ex-Bereiches dürfen nur Pumpen mit einer Ex-Zulassung eingesetzt werden.
- Pumpen, die eine Ex-Zulassung haben, müssen entsprechend gekennzeichnet sein.
- Damit bei Trockenmotoren die nötige Kühlung erreicht wird, müssen diese, wenn der Motor ausgetaucht wurde, vor erneutem Einschalten vollständig geflutet werden!

10.2.6. Instandhaltung



LEBENSGEFAHR durch elektrischen Strom!
Bei Arbeiten an elektrischen Geräten besteht Lebensgefahr durch Stromschlag. Bei allen Wartungs- und Reparaturarbeiten ist die Pumpe vom Netz zu nehmen und gegen unbefugtes Wiedereinschalten zu sichern. Schäden an der Stromzuführungsleitung sind grundsätzlich nur durch einen qualifizierten Elektrofachmann zu beheben.

Zusätzlich zu den Informationen im Kapitel „Instandhaltung“ sind für Ex-zugelassene Pumpen die folgenden Punkte zu beachten:

- Die Wartungs- und Reparaturarbeiten laut diesem Betriebs- und Wartungshandbuch sind vorschriftsmäßig durchzuführen.
- Reparaturarbeiten und/oder bauliche Veränderungen, die in diesem Betriebs- und Wartungshandbuch nicht aufgeführt werden oder die Sicherheit des Ex-Schutzes beeinträchtigen, dürfen nur vom Hersteller oder vom Hersteller zertifizierte Servicewerkstätten durchgeführt werden.
- Eine Reparatur an den zünddurchschlagsicheren Spalten darf nur entsprechend konstruktiver Vorgaben des Herstellers erfolgen. Die Reparatur entsprechend den Spaltmaßen nach Normwerten ist nicht zulässig.
- Es dürfen nur die vom Hersteller festgelegten Verschlusschrauben verwendet werden die mindestens einer Festigkeitsklasse von 600 N/mm² entsprechen.

Kabelwechsel

Ein Kabelwechsel ist strikt untersagt und darf nur vom Hersteller oder vom Hersteller zertifizierte Servicewerkstätten durchgeführt werden!

10.3. Ersatzteile

Die Ersatzteilbestellung erfolgt über den Wilo-Kundendienst. Um Rückfragen und Fehlbestellungen zu vermeiden, ist immer die Serien- und/oder Artikelnummer anzugeben.

Technische Änderungen vorbehalten!





WILO USA LLC.
W66 N1253 Forward Way
Cedarburg, WI 53012
USA
Phone (262) 204-6600

WILO Canada Inc.
Bay 7 - 2915
10th Ave. N.E.
Calgary, Alberta, T2A 5L4
Canada
Phone (403) 276-9456
Fax (403) 277-9456