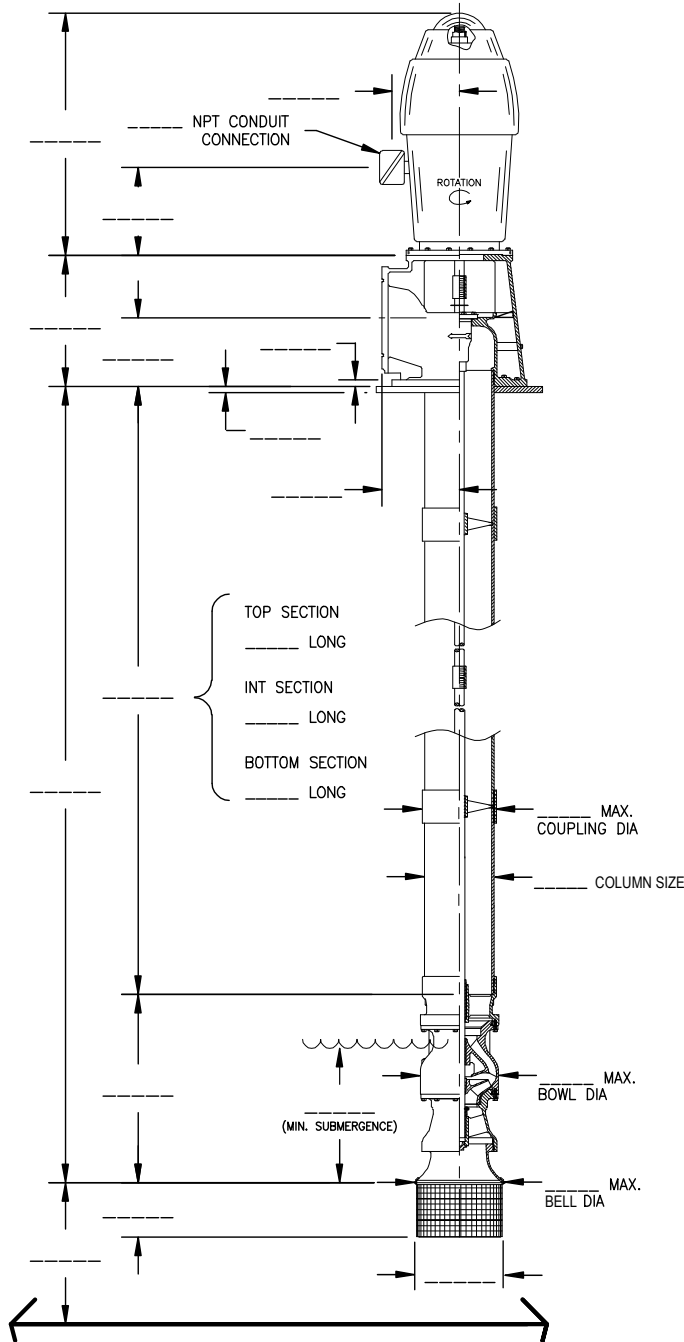


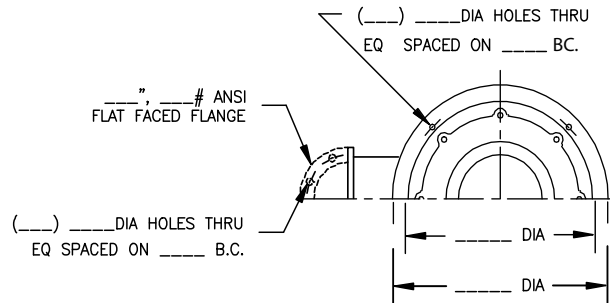
VERTICAL TURBINE

JUNE 2010

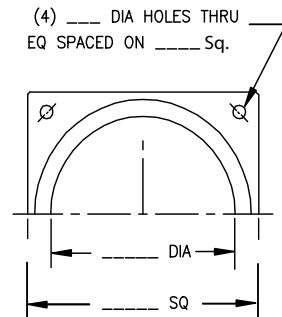
480 SERIES VT CAST DISCHARGE HEAD, OPEN LINESHAFT, THEADED COLUMN



DISCHARGE HEAD



FOUNDATION PLATE



NOTES:

1. ALL DIMENSIONS ARE IN INCHES ± 0.375

*THE MIN. SUBMERGENCE IS FROM THE BOTTOM OF THE BELL OR SUCT. CASE TO THE WATER LEVEL.

THIS VALUE IS REQUIRED TO PREVENT VORTEXING ONLY. THIS VALUE MAY NEED TO INCREASE TO PROVIDE ADEQUATE NPSH_a

CUSTOMER					P.O. NUMBER	
JOB NAME					TAG NAME	
PUMP SIZE AND MODEL		GPM	TDH	RPM	ROTATION	DISCHARGE POSITION
MOTOR	HP	FRAME	PHASE	HERTZ	VOLTS	ENCLOSURE
CERTIFIED FOR			CERTIFIED BY		DATE	

WARNING

DO NOT OPERATE THIS MACHINE WITH OUT PROTECTIVE GUARD IN PLACE. ANY OPERATION OF THIS MACHINE WITHOUT PROTECTIVE GUARD CAN RESULT IN SEVERE BODILY INJURY.