



AMERICAN-MARSH PUMPS

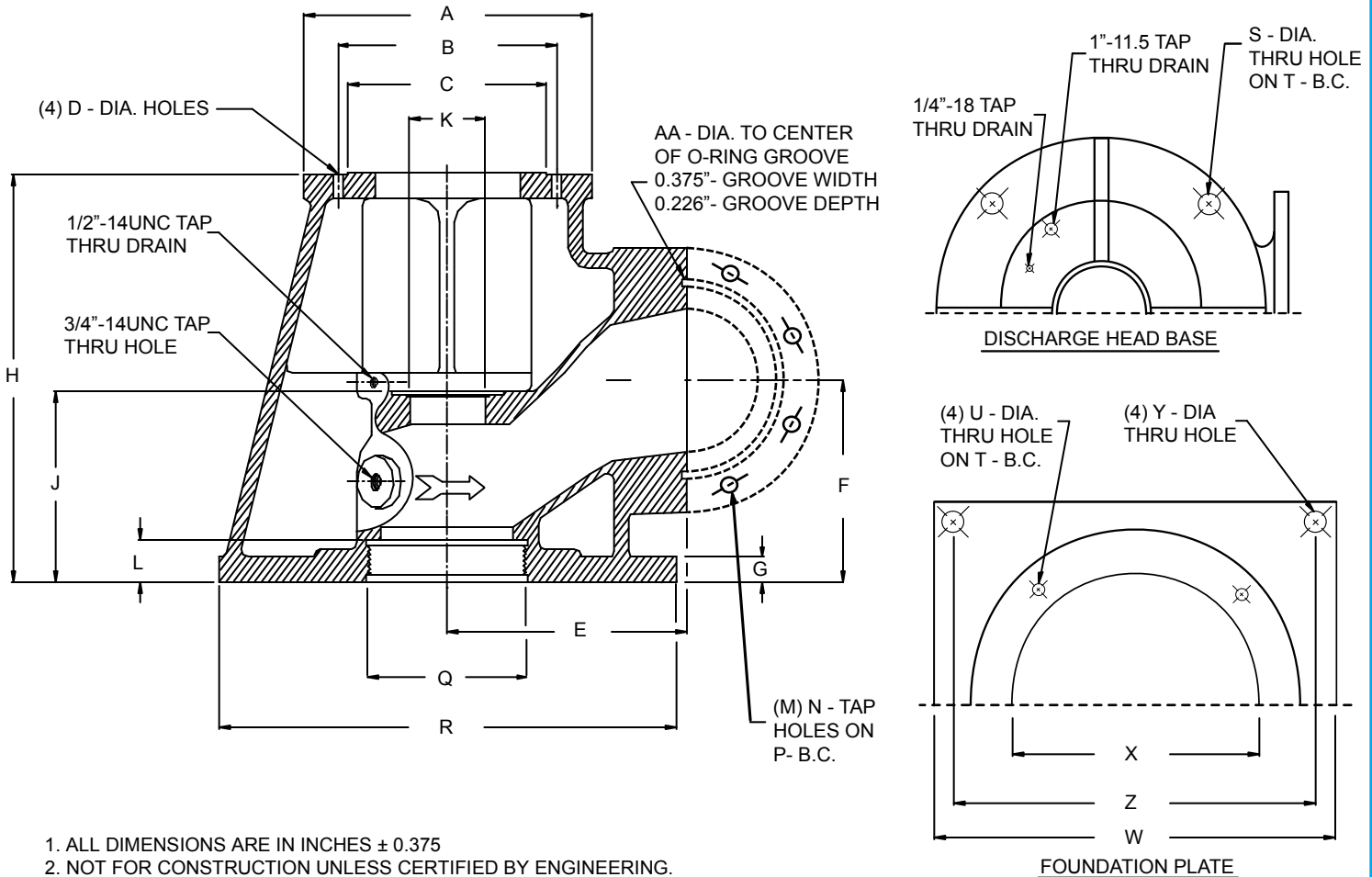
A WILO BRAND

VERTICAL TURBINE

SEPTEMBER 2011

480 SERIES VT

CAST IRON DISCHARGE HEAD FOR THREADED COLUMN



1. ALL DIMENSIONS ARE IN INCHES ± 0.375
2. NOT FOR CONSTRUCTION UNLESS CERTIFIED BY ENGINEERING.

DISCHARGE HEAD MODEL	ANSI SIZE 125# FLANGE	WEIGHT	A	B	C	D	E	F	G	H	J	K	L
TR4A	4 in	155 lbs	10.000	9.125	8.250	0.438	8.750	6.750	1.125	15.875	6.875	3.125	1.625
TR6B	6 in	185 lbs	12.000	9.125	8.250	0.438	11.500	8.375	1.000	16.875	7.625	3.125	1.750
TR6C	6 in	225 lbs	16.500	14.750	13.500	0.688	11.500	8.375	1.000	16.750	7.625	3.750	1.750
TR8C	8 in	265 lbs	16.500	14.750	13.500	0.688	12.500	10.688	1.000	20.438	8.032	3.750	2.000
TR8HD	8 in	400 lbs	20.000	14.750	13.500	0.688	12.500	10.688	1.688	22.063	9.938	5.000	2.000
TR10C	10 in	315 lbs	16.500	14.750	13.500	0.688	12.500	10.688	1.000	21.438	10.563	3.750	2.500
TR10HD	10 in	445 lbs	20.000	14.750	13.500	0.688	13.750	11.313	1.688	22.375	11.312	5.000	2.500
TR12HD	12 in	550 lbs	20.000	14.750	13.500	0.688	14.000	11.938	2.188	23.000	12.000	5.000	2.500

MODEL	M	N	P	Q	R	S	T	U	W	X	Y	Z	AA	PLATE HEIGHT
TR4A	8	5/8-11UNC	7.500	4 in	16.000	1.000	14.250	7/8-9UNC	24.000	12.500	1.125	21.000	5.438	1.000
TR6B	8	3/4-10UNC	9.500	6 in	19.000	1.000	17.000	7/8-9UNC	24.000	13.000	1.125	21.000	7.375	1.000
TR6C	8	3/4-10UNC	9.500	6 in	19.000	1.000	17.000	7/8-9UNC	24.000	13.000	1.125	21.000	7.375	1.000
TR8C	8	3/4-10UNC	11.750	8 in	21.000	1.125	18.750	1-8UNC	24.000	16.500	1.125	21.000	9.500	1.000
TR8HD	8	3/4-10UNC	11.750	8 in	23.500	1.125	21.250	1-8UNC	26.000	17.500	1.125	23.000	9.500	1.000
TR10C	12	7/8-9UNC	14.250	10 in	21.000	1.125	18.750	1-8UNC	24.000	16.750	1.125	21.000	11.688	1.000
TR10HD	12	7/8-9UNC	14.250	10 in	23.500	1.125	21.250	1-8UNC	26.000	17.500	1.125	23.000	11.688	1.000
TR12HD	12	7/8-9UNC	17.000	12 in	25.000	1.250	22.750	1-1/8-7UNC	28.000	18.500	1.250	25.000	14.063	1.250

CUSTOMER					P.O. NUMBER				
JOB NAME					TAG NAME				
PUMP SIZE AND MODEL		GPM	TDH	RPM	ROTATION	DISCHARGE POSITION			
MOTOR	HP	FRAME	PHASE	HERTZ	VOLTS	ENCLOSURE			
CERTIFIED FOR			CERTIFIED BY		DATE				

WARNING

DO NOT OPERATE THIS MACHINE WITH OUT PROTECTIVE GUARD IN PLACE. ANY OPERATION OF THIS MACHINE WITHOUT PROTECTIVE GUARD CAN RESULT IN SEVERE BODILY INJURY.