



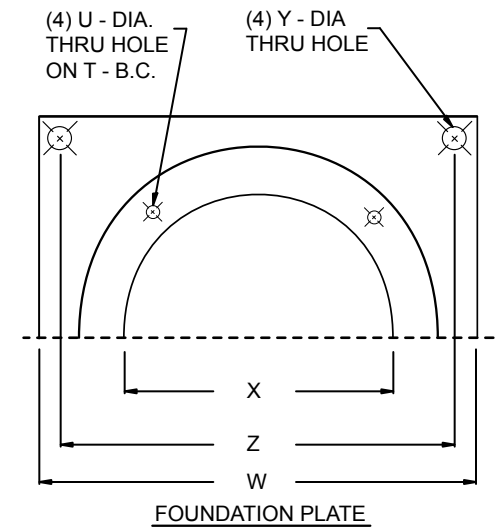
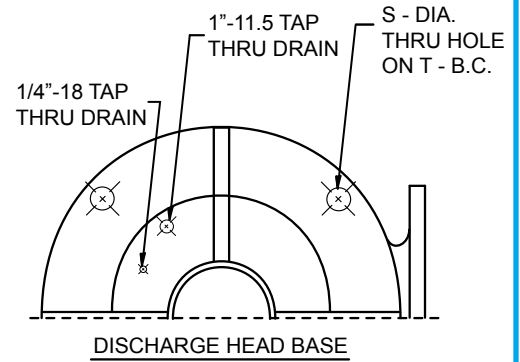
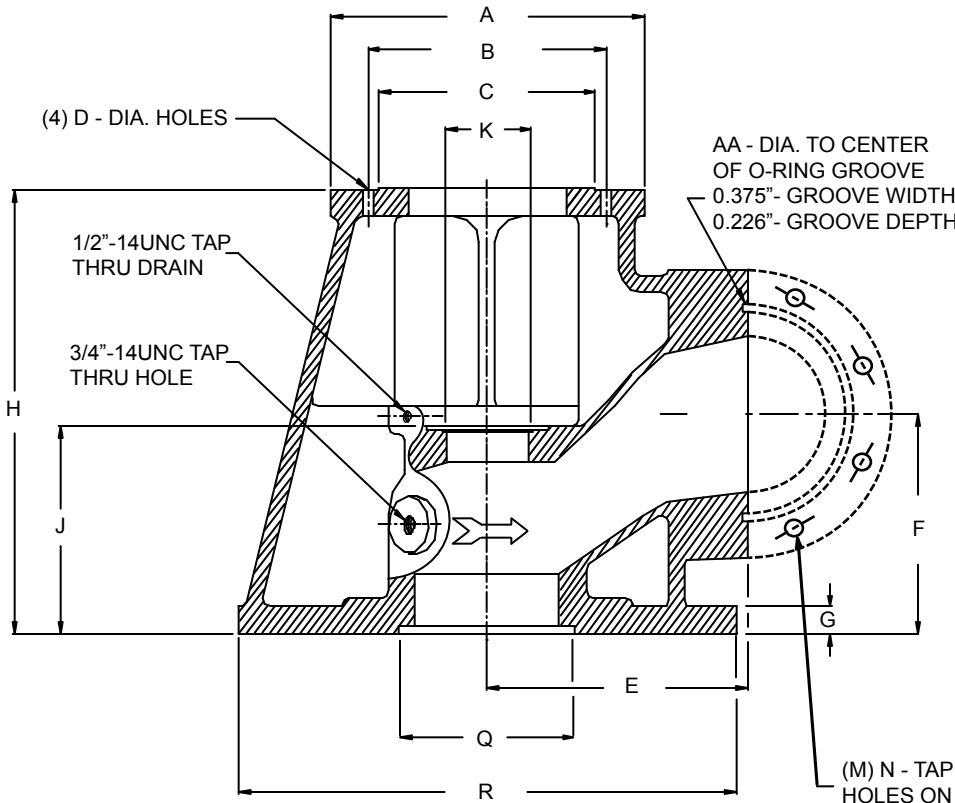
A WILO BRAND

# VERTICAL TURBINE

SEPTEMBER 2011

## 480 SERIES VT

### CAST IRON DISCHARGE HEAD FOR FLANGED COLUMN



1. ALL DIMENSIONS ARE IN INCHES  $\pm 0.375$
2. NOT FOR CONSTRUCTION UNLESS CERTIFIED BY ENGINEERING.

DISCHARGE HEAD MODEL	ANSI SIZE 125# FLANGE	WEIGHT	A	B	C	D	E	F	G	H
FR4A	4 in	155 lbs	10.000	9.125	8.250	0.438	8.750	6.750	1.125	15.875
FR6B	6 in	185 lbs	12.000	9.125	8.250	0.438	11.500	8.375	1.000	16.875
FR6C	6 in	225 lbs	16.500	14.750	13.500	0.688	11.500	8.375	1.000	16.750
FR8C	8 in	265 lbs	16.500	14.750	13.500	0.688	12.500	10.688	1.000	20.438
FR8HD	8 in	400 lbs	20.000	14.750	13.500	0.688	12.500	10.688	1.688	22.063
FR10C	10 in	315 lbs	16.500	14.750	13.500	0.688	12.500	10.688	1.000	21.438
FR10HD	10 in	445 lbs	20.000	14.750	13.500	0.688	13.750	11.313	1.688	22.375
FR12HD	12 in	550 lbs	20.000	14.750	13.500	0.688	14.000	11.938	2.188	23.000
FR14HD	14 in	650 lbs	20.000	14.750	13.500	0.688	19.000	14.000	1.500	31.000
FR16HD	16 in	675 lbs	20.000	14.750	13.500	0.688	19.000	16.000	1.500	31.000

MODEL	J	K	M	N	P	Q	R	S	T	U	W	X	Y	Z	AA	PLATE HEIGHT
FR4A	6.875	3.125	8	5/8-11UNC	7.500	7.188	16.000	1.000	14.250	7/8-9UNC	24.000	12.500	1.125	21.000	5.438	1.000
FR6B	7.750	3.125	8	3/4-10UNC	9.500	7.188	19.000	1.000	17.000	7/8-9UNC	24.000	13.000	1.125	21.000	7.375	1.000
FR6C	7.750	3.750	8	3/4-10UNC	9.500	7.188	19.000	1.000	17.000	7/8-9UNC	24.000	13.000	1.125	21.000	7.375	1.000
FR8C	8.344	3.750	8	3/4-10UNC	11.750	11.313	21.000	1.125	18.750	1-8UNC	24.000	16.500	1.125	21.000	9.500	1.000
FR8HD	9.938	5.000	8	3/4-10UNC	11.750	11.313	23.500	1.125	21.250	1-8UNC	26.000	17.500	1.125	23.000	9.500	1.000
FR10C	10.563	3.750	12	7/8-9UNC	14.250	11.313	21.000	1.125	18.750	1-8UNC	24.000	16.750	1.125	21.000	11.688	1.000
FR10HD	11.312	5.000	12	7/8-9UNC	14.250	11.313	23.500	1.125	21.250	1-8UNC	26.000	17.500	1.125	23.000	11.688	1.000
FR12HD	12.000	5.000	12	7/8-9UNC	17.000	13.250	25.000	1.250	22.750	1-1/8-7UNC	28.000	18.500	1.250	25.000	14.063	1.250
FR14HD	15.500	5.000	12	1-8UNC	18.750	16.500	32.000	1.375	29.500	1-1/4-7UNC	36.000	27.500	1.250	33.000	15.000	1.500
FR16HD	15.500	5.000	16	1-8UNC	21.250	16.500	32.000	1.375	29.500	1-1/4-7UNC	36.000	27.500	1.250	33.000	17.250	1.500

CUSTOMER					P.O. NUMBER				
JOB NAME					TAG NAME				
PUMP SIZE AND MODEL		GPM		TDH	RPM		ROTATION		DISCHARGE POSITION
MOTOR	HP	FRAME	PHASE		HERTZ	VOLTS		ENCLOSURE	
CERTIFIED FOR					CERTIFIED BY				
					DATE				

**WARNING**

DO NOT OPERATE THIS MACHINE WITH OUT PROTECTIVE GUARD IN PLACE. ANY OPERATION OF THIS MACHINE WITHOUT PROTECTIVE GUARD CAN RESULT IN SEVERE BODILY INJURY.