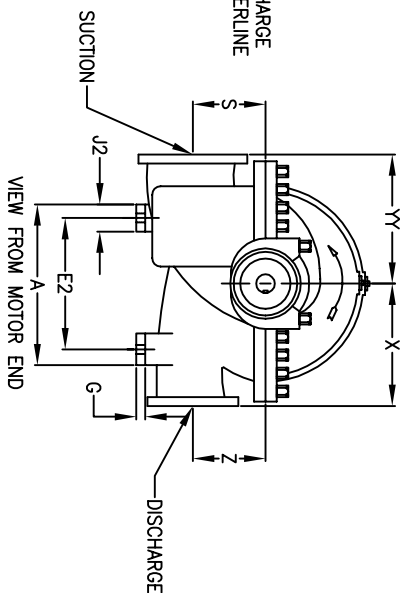
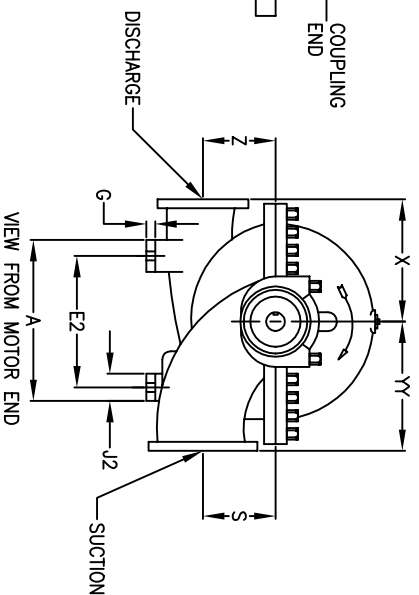
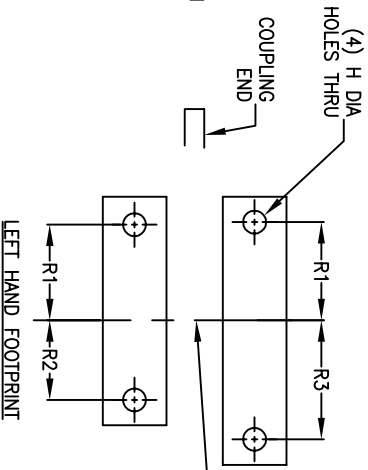
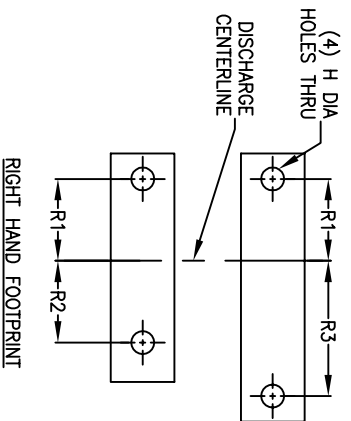
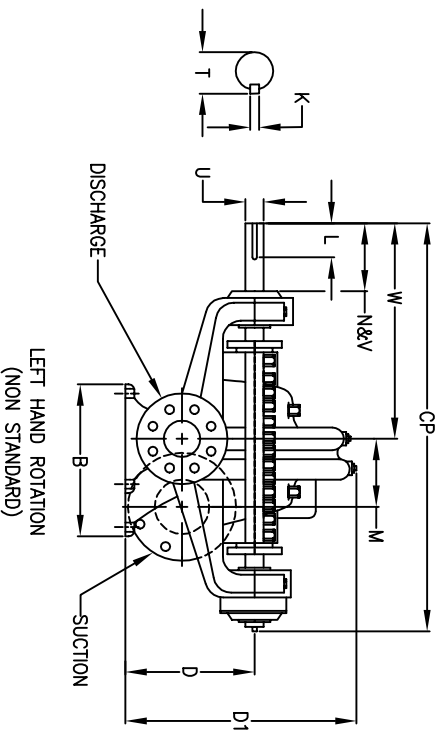
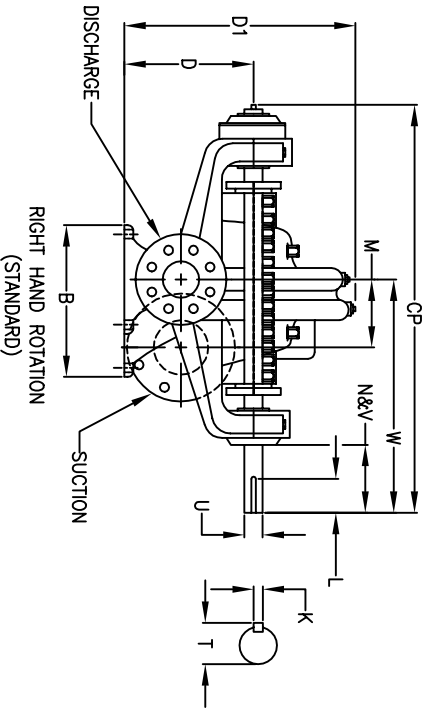


380 SERIES HH

FLEX-COUPLED MULTISTAGE HSC PUMP ONLY



A WILCO BRAND



SUCTION	DISCHARGE
STD. 125# FLANGE	STD. 250# FLANGE
OPT. 250# FLANGE	

PUMP SIZE	CASE	A	B	D	D1	E2	G	H	J2	K	L	M	PURGE N&V	OIL N&V	R1	R2	R3	S	T	U	PURGE W (RH)	W (LH)	OIL W (RH)	W (LH)	X	YY	Z	PURGE CP	OIL CP	
1.5	2.5	8	9.000	11.000	7.250	13.000	6.750	0.625	0.625	2.250	0.188	2.000	3.438	4.250	2.750	3.688	6.063	6.063	4.563	1.000	0.875	15.938	14.563	16.313	14.938	7.500	8.000	4.563	26.125	28.750
1.5	2.5	10	10.000	10.625	8.000	13.875	7.500	0.625	0.625	2.500	0.188	2.000	3.500	4.250	2.750	3.688	5.063	5.938	5.563	1.000	0.875	15.938	14.563	16.313	14.938	8.500	9.000	5.563	26.125	28.750
2	3	8	9.000	11.000	7.750	13.750	6.750	0.625	0.625	2.250	0.188	2.000	4.125	4.688	2.688	3.563	6.188	6.188	4.750	1.000	0.875	16.438	14.813	16.438	14.813	7.500	8.000	4.750	26.563	28.813
2	3	10	10.000	12.000	9.000	15.750	7.500	0.750	0.625	2.500	0.250	2.500	4.750	3.188	2.813	3.938	4.813	6.813	5.688	1.188	1.063	15.813	13.813	17.500	15.500	8.500	9.000	5.688	26.438	30.375
2.5	3	9	10.000	12.000	9.000	15.750	7.500	0.750	0.625	2.500	0.250	2.500	5.063	3.188	2.813	3.938	4.813	6.813	5.575	1.188	1.063	17.563	15.438	17.563	15.438	8.250	9.000	5.375	28.125	30.375
3	4	9	10.000	13.500	10.000	17.000	7.500	0.750	0.750	2.500	0.250	2.500	5.938	4.625	3.000	4.125	4.375	7.875	5.500	1.188	1.250	17.813	15.438	18.188	15.813	8.750	9.750	5.500	28.563	31.188
3	4	11	12.500	14.000	11.250	20.125	9.500	0.875	0.750	3.000	0.250	3.250	5.938	4.625	4.125	5.063	5.063	7.438	6.500	1.375	1.250	21.188	18.813	21.188	18.813	10.000	11.000	6.500	33.438	36.625
4	5	11	14.000	17.000	12.250	20.750	11.000	1.000	1.000	3.000	0.375	2.500	7.000	3.875	4.250	6.000	6.000	9.000	6.625	1.625	1.438	19.938	17.063	22.438	19.563	11.000	12.000	6.625	33.125	38.250

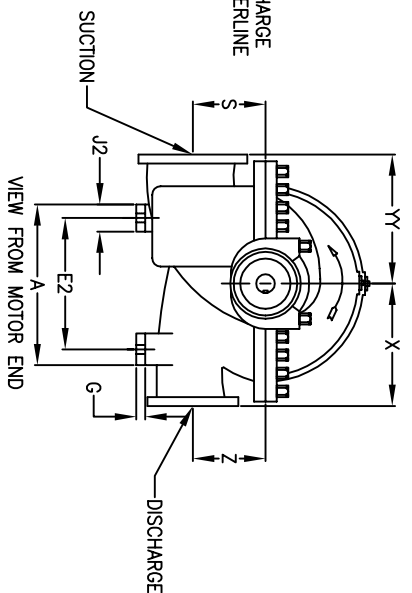
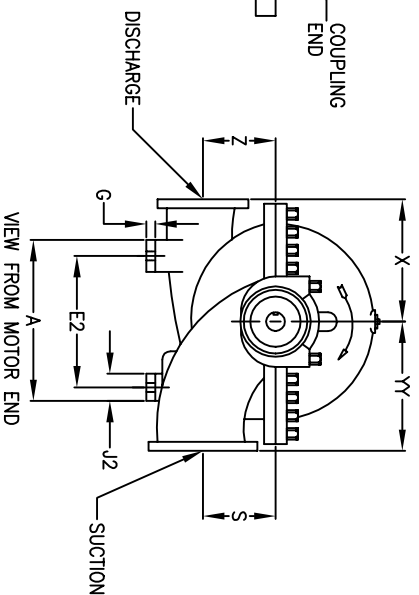
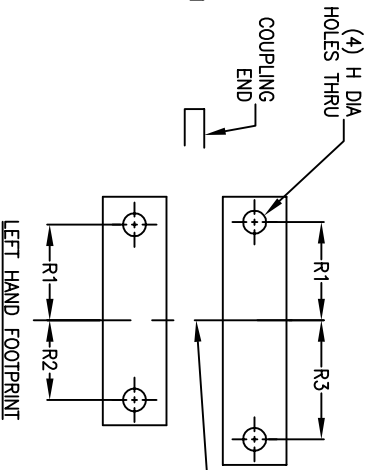
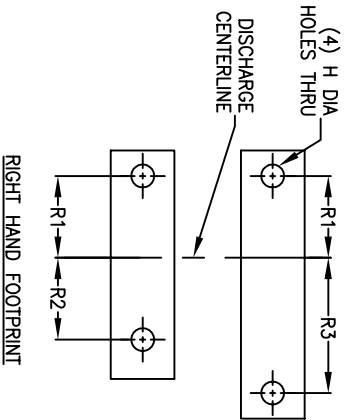
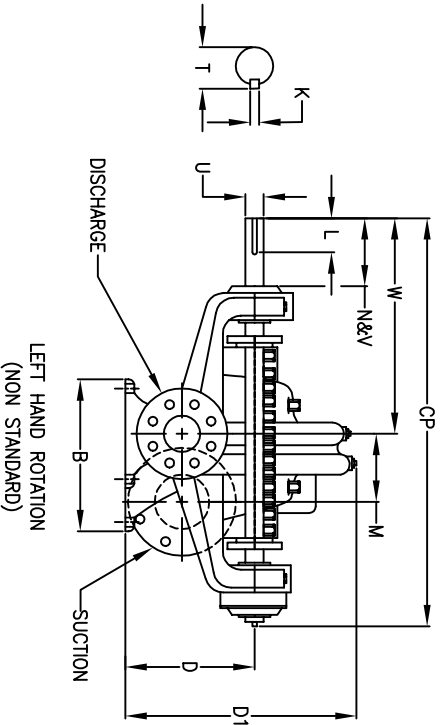
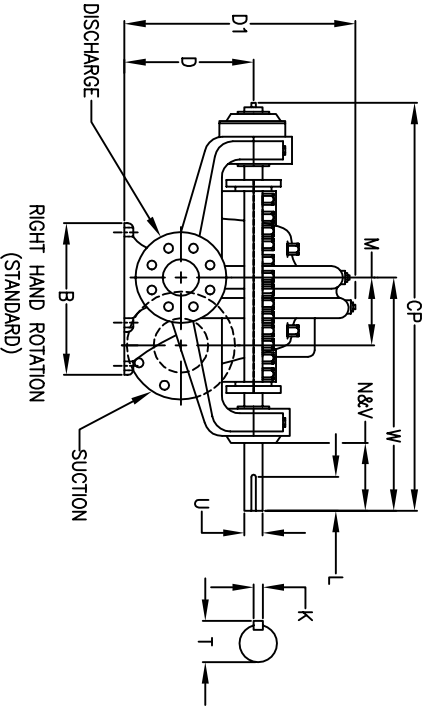
*ALL DIMENSIONS ARE IN INCHES AND ± 0.375.
*NOT FOR CONSTRUCTION, UNLESS CERTIFIED BY ENGINEERING.

380 SERIES HH

FLEX-COUPLED MULTISTAGE HSC PUMP ONLY



A WILCO BRAND



SUCTION	DISCHARGE
STD. 125# FLANGE	STD. 250# FLANGE
OPT. 250# FLANGE	

PUMP SIZE	CASE	A	B	D	D1	E2	G	H	J2	K	L	M	PURGE N&V	OIL N&V	R1	R2	R3	S	T	U	PURGE W (RH)	W (LH)	OIL W (RH)	W (LH)	X	YY	Z	PURGE CP	OIL CP	
1.5	2.5	8	9.000	11.000	7.250	13.000	6.750	0.625	0.625	2.250	0.188	2.000	3.438	4.250	2.750	3.688	6.063	6.063	4.563	1.000	0.875	15.938	14.563	16.313	14.938	7.500	8.000	4.563	26.125	28.750
1.5	2.5	10	10.000	10.625	8.000	13.875	7.500	0.625	0.625	2.500	0.188	2.000	3.500	4.250	2.750	3.688	5.063	5.938	5.563	1.000	0.875	15.938	14.563	16.313	14.938	8.500	9.000	5.563	26.125	28.750
2	3	8	9.000	11.000	7.750	13.750	6.750	0.625	0.625	2.250	0.188	2.000	4.125	4.688	2.688	3.563	6.188	6.188	4.750	1.000	0.875	16.438	14.813	16.438	14.813	7.500	8.000	4.750	26.563	28.813
2	3	10	10.000	12.000	9.000	15.750	7.500	0.750	0.625	2.500	0.250	2.500	4.750	3.188	2.813	3.938	4.813	6.813	5.688	1.188	1.063	15.813	13.813	17.500	15.500	8.500	9.000	5.688	26.438	30.375
2.5	3	9	10.000	12.000	9.000	15.750	7.500	0.750	0.625	2.500	0.250	2.500	5.063	3.188	2.813	3.938	4.813	6.813	5.575	1.188	1.063	17.563	15.438	17.563	15.438	8.250	9.000	5.375	28.125	30.375
3	4	9	10.000	13.500	10.000	17.000	7.500	0.750	0.750	2.500	0.250	2.500	5.938	4.625	3.000	4.125	4.375	7.875	5.500	1.188	1.250	17.813	15.438	18.188	15.813	8.750	9.750	5.500	28.563	31.188
3	4	11	12.500	14.000	11.250	20.125	9.500	0.875	0.750	3.000	0.250	3.250	5.938	6.563	4.125	5.063	5.063	7.438	6.500	1.375	1.250	21.188	18.813	21.188	18.813	10.000	11.000	6.500	33.438	36.625
4	5	11	14.000	17.000	12.250	20.750	11.000	1.000	1.000	3.000	0.375	2.500	7.000	3.875	4.250	6.000	6.000	9.000	6.625	1.625	1.438	19.938	17.063	22.438	19.563	11.000	12.000	6.625	33.125	38.250

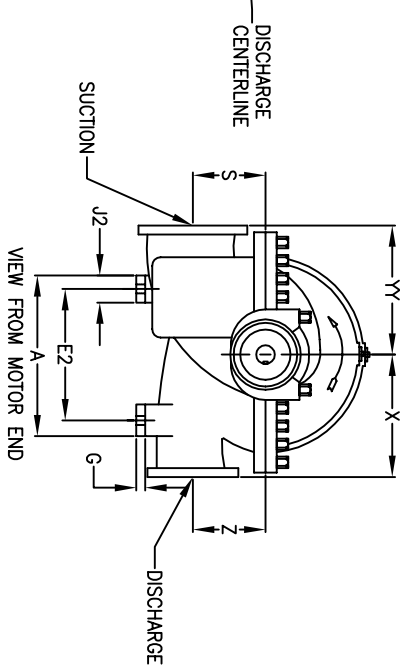
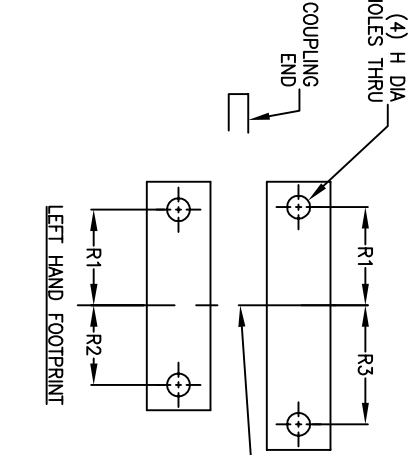
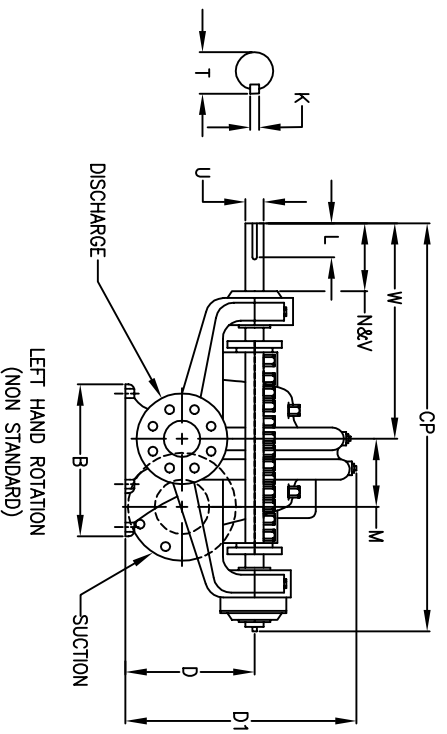
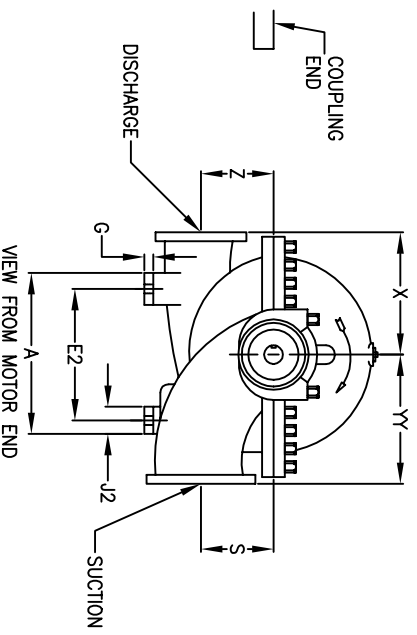
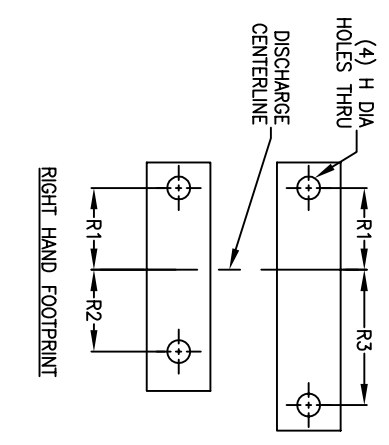
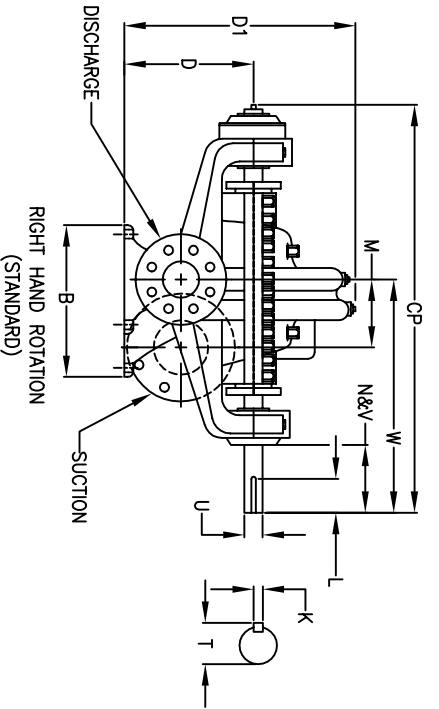
*ALL DIMENSIONS ARE IN INCHES AND ± 0.375.
*NOT FOR CONSTRUCTION, UNLESS CERTIFIED BY ENGINEERING.

380 SERIES HH

FLEX-COUPLED MULTISTAGE HSC PUMP ONLY



A WILCO BRAND



*ALL DIMENSIONS ARE IN INCHES AND ± 0.375.
*NOT FOR CONSTRUCTION, UNLESS CERTIFIED BY ENGINEERING.

PUMP SIZE	CASE BORE	A	B	D	D1	E2	G	H	J2	K	L	M	PURGE N&V	OIL N&V	R1	R2	R3	S	T	U	PURGE W (RH) W (LH)	OIL W (RH) W (LH)	X	YY	Z	PURGE CP	OIL CP		
1.5	2.5	9.000	11.000	7.250	13.000	6.750	0.625	0.625	2.250	0.188	2.000	3.438	4.250	2.750	3.688	6.063	6.063	4.563	1.000	0.875	15.938	14.563	16.313	14.938	7.500	8.000	4.563	26.125	28.750
1.5	2.5	10.000	10.625	8.000	13.875	7.500	0.625	0.625	2.500	0.188	2.000	3.500	4.250	2.750	3.688	5.063	5.938	5.563	1.000	0.875	15.938	14.563	16.313	14.938	8.500	9.000	5.563	26.125	28.750
2	3	9.000	11.000	7.750	13.750	6.750	0.625	0.625	2.250	0.188	2.000	4.125	4.688	2.688	3.563	6.188	6.188	4.750	1.000	0.875	16.438	14.813	16.438	14.813	7.500	8.000	4.750	26.563	28.813
2	3	10.000	12.000	9.000	15.750	7.500	0.750	0.625	2.500	0.250	2.500	4.750	3.188	2.813	3.938	4.813	6.813	5.688	1.188	1.063	15.813	13.813	17.500	15.500	8.500	9.000	5.688	26.438	30.375
2.5	3	10.000	13.500	9.000	17.000	7.500	0.750	0.625	2.500	0.250	2.500	5.063	3.188	3.000	4.125	4.875	6.875	5.375	1.188	1.063	17.563	15.438	17.563	15.438	8.250	9.000	5.375	28.125	30.375
3	4	10.000	14.000	10.000	17.500	7.500	0.875	0.750	2.500	0.250	2.500	5.938	4.625	3.000	4.125	4.375	7.875	5.500	1.188	1.250	17.813	15.438	18.188	15.813	8.750	9.750	5.500	28.563	31.188
3	4	12.500	14.000	11.250	20.125	9.500	0.875	0.750	3.000	0.250	3.250	5.938	4.625	4.125	5.063	5.063	7.438	6.500	1.375	1.250	21.188	18.813	21.188	18.813	10.000	11.000	6.500	33.438	36.625
4	5	14.000	17.000	12.250	20.750	11.000	1.000	1.000	3.000	0.375	2.500	7.000	3.875	4.250	6.000	6.000	9.000	6.625	1.625	1.438	19.938	17.063	22.438	19.563	11.000	12.000	6.625	33.125	38.250

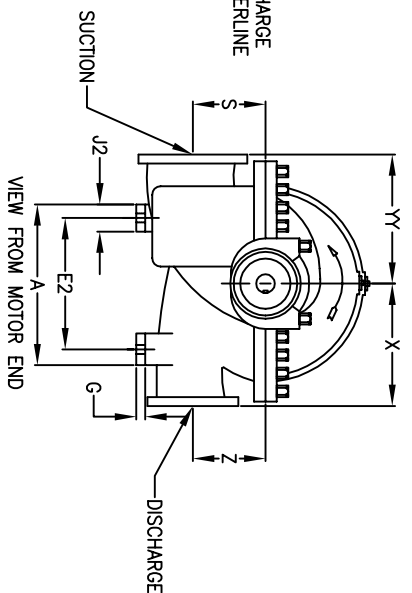
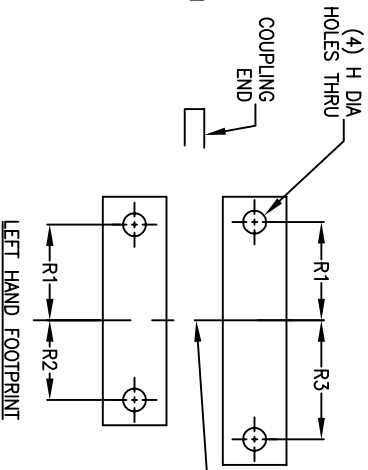
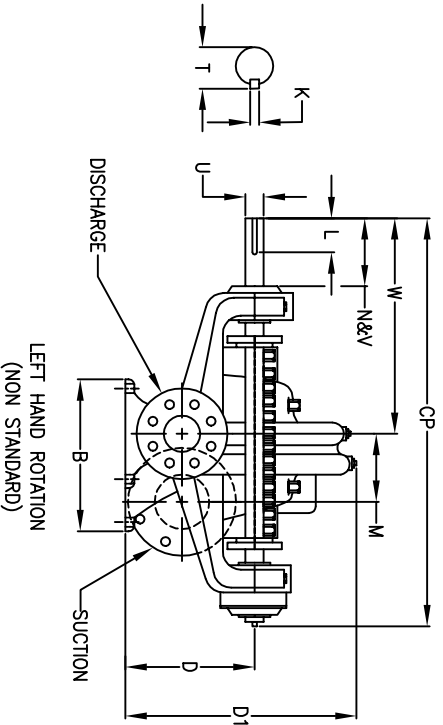
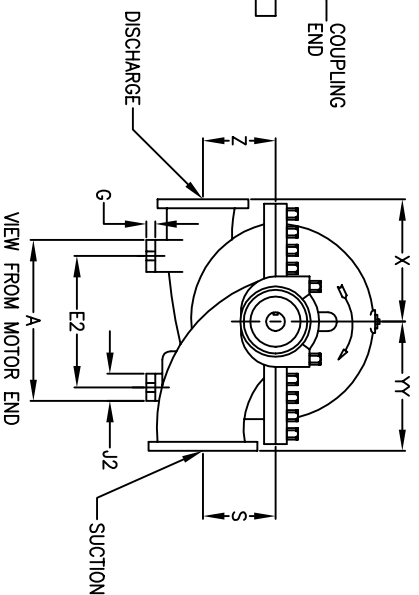
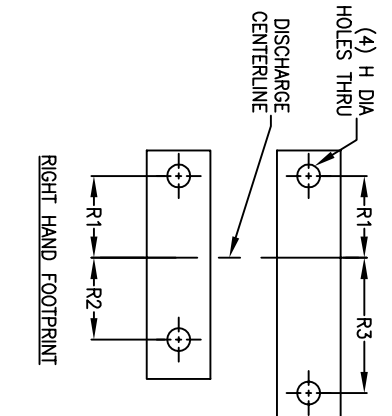
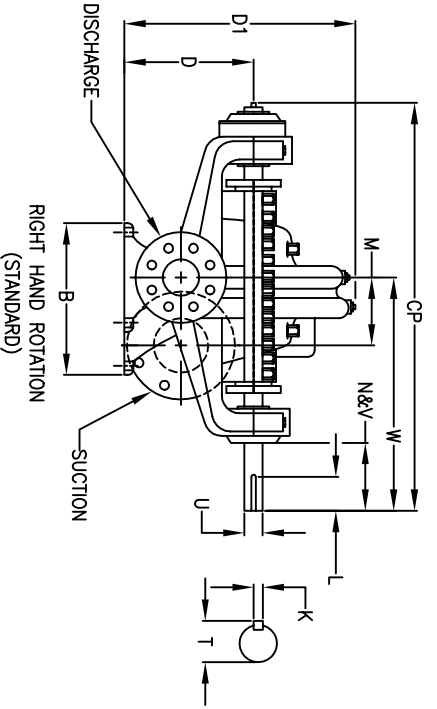
SUCTION	DISCHARGE
STD. 125# FLANGE	STD. 250# FLANGE
OPT. 250# FLANGE	

380 SERIES HH

FLEX-COUPLED MULTISTAGE HSC PUMP ONLY



A WILCO BRAND



*ALL DIMENSIONS ARE IN INCHES AND ± 0.375.
*NOT FOR CONSTRUCTION, UNLESS CERTIFIED BY ENGINEERING.

PUMP SIZE	CASE BORE	A	B	D	D1	E2	G	H	J2	K	L	M	PURGE N&V	OIL N&V	R1	R2	R3	S	T	U	PURGE W (RH) W (LH)	OIL W (RH) W (LH)	X	YY	Z	PURGE CP	OIL CP		
1.5	2.5	9.000	11.000	7.250	13.000	6.750	0.625	0.625	2.250	0.188	2.000	3.438	4.250	2.750	3.688	6.063	6.063	4.563	1.000	0.875	15.938	14.563	16.313	14.938	7.500	8.000	4.563	26.125	28.750
1.5	2.5	10.000	10.625	8.000	13.875	7.500	0.625	0.625	2.500	0.188	2.000	3.500	4.250	2.750	3.688	5.063	5.938	5.563	1.000	0.875	15.938	14.563	16.313	14.938	8.500	9.000	5.563	26.125	28.750
2	3	9.000	11.000	7.750	13.750	6.750	0.625	0.625	2.250	0.188	2.000	4.125	4.688	2.688	3.563	6.188	6.188	4.750	1.000	0.875	16.438	14.813	16.438	14.813	7.500	8.000	4.750	26.563	28.813
2	3	10.000	12.000	9.000	15.750	7.500	0.750	0.625	2.500	0.250	2.500	4.750	3.188	2.813	3.938	4.813	6.813	5.688	1.188	1.063	15.813	13.813	17.500	15.500	8.500	9.000	5.688	26.438	30.375
2.5	3	10.000	13.500	9.000	17.000	7.500	0.750	0.625	2.500	0.250	2.500	5.063	3.188	3.000	4.125	4.875	6.875	5.375	1.188	1.063	17.563	15.438	17.563	15.438	8.250	9.000	5.375	28.125	30.375
3	4	10.000	14.000	10.000	17.500	7.500	0.875	0.750	2.500	0.250	2.500	5.938	4.625	3.000	4.125	4.375	7.875	5.500	1.188	1.250	17.813	15.438	18.188	15.813	8.750	9.750	5.500	28.563	31.188
3	4	12.500	14.000	11.250	20.125	9.500	0.875	0.750	3.000	0.250	3.250	5.938	4.625	4.125	5.063	5.063	7.438	6.500	1.375	1.250	21.188	18.813	21.188	18.813	10.000	11.000	6.500	33.438	36.625
4	5	14.000	17.000	12.250	20.750	11.000	1.000	1.000	3.000	0.375	2.500	7.000	3.875	4.250	6.000	6.000	9.000	6.625	1.625	1.438	19.938	17.063	22.438	19.563	11.000	12.000	6.625	33.125	38.250

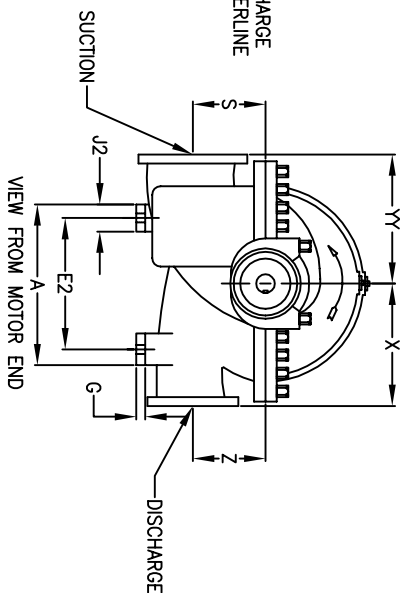
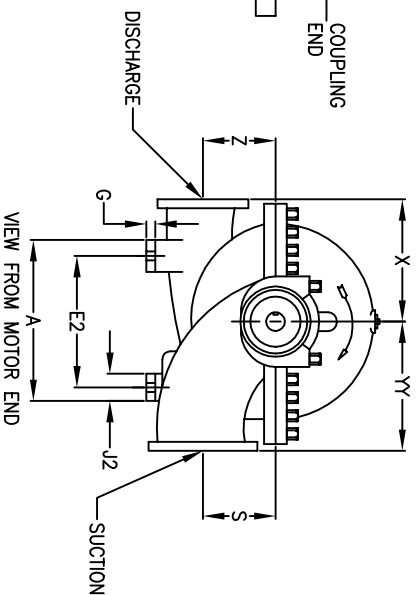
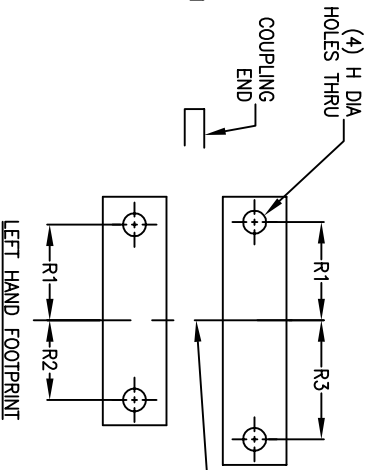
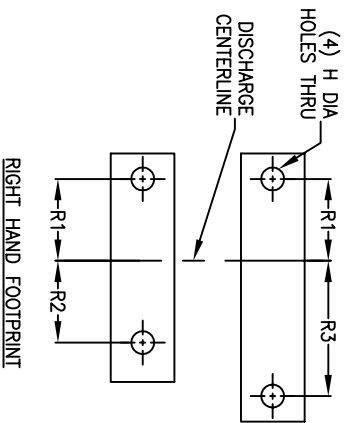
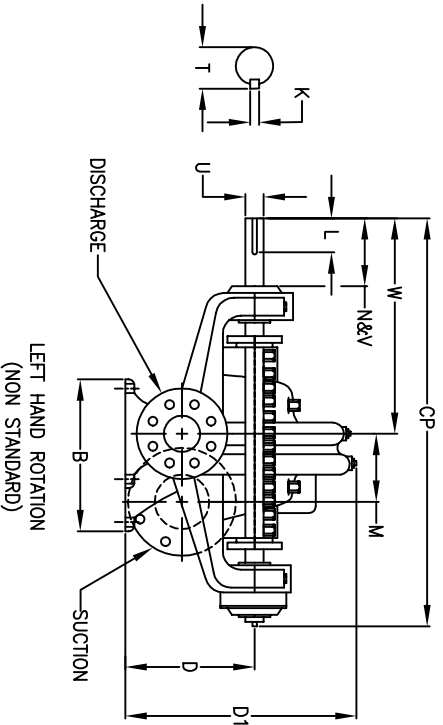
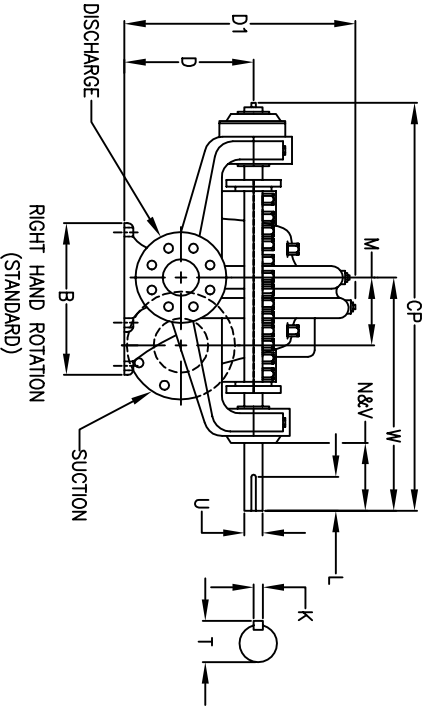
SUCTION	DISCHARGE
STD. 125# FLANGE	STD. 250# FLANGE
OPT. 250# FLANGE	

380 SERIES HH

FLEX-COUPLED MULTISTAGE HSC PUMP ONLY



A WILLO BRAND



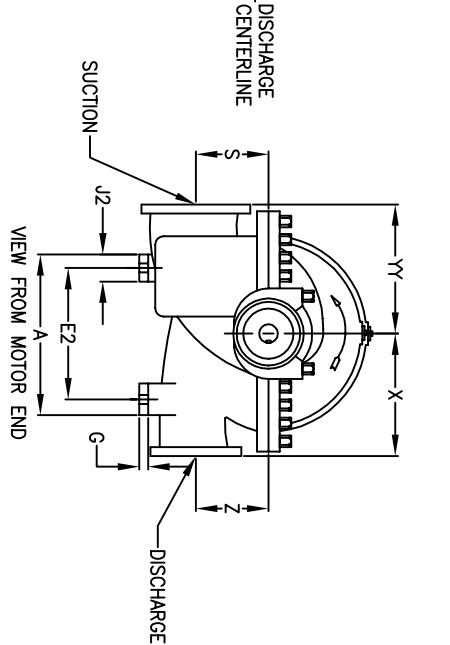
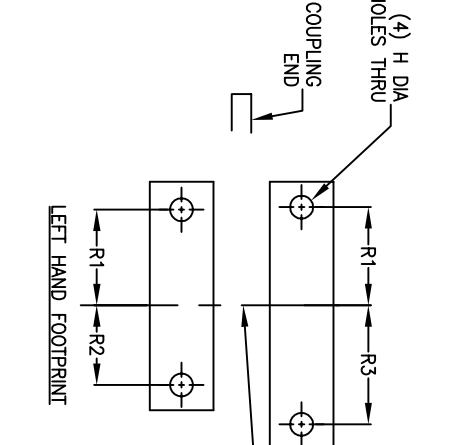
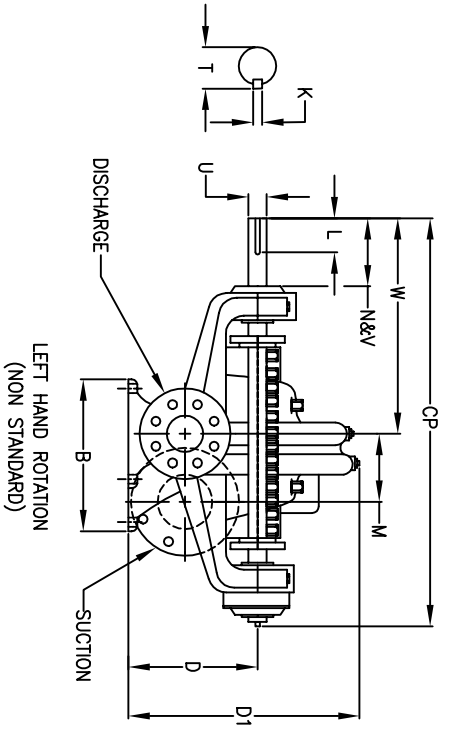
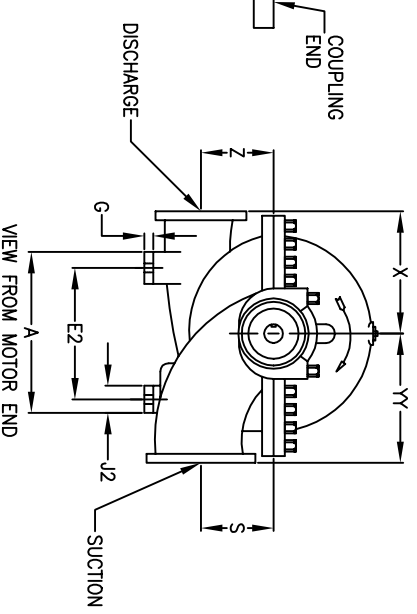
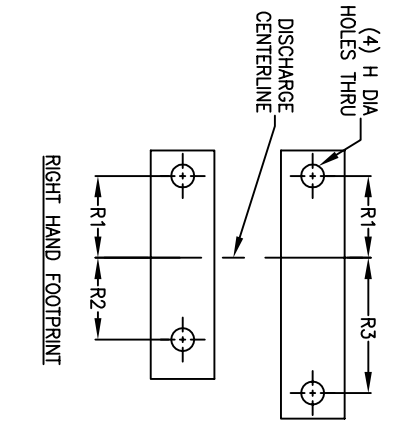
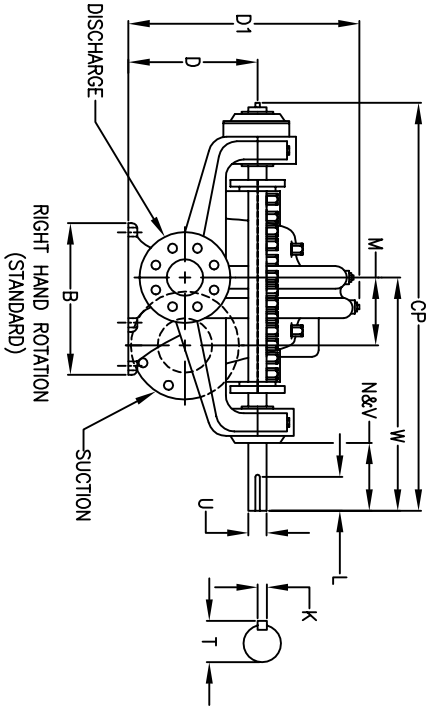
SUCTION	DISCHARGE
STD. 125# FLANGE	STD. 250# FLANGE
OPT. 250# FLANGE	

PUMP SIZE	CASE	A	B	D	D1	E2	G	H	J2	K	L	M	PURGE N&V	OIL N&V	R1	R2	R3	S	T	U	PURGE W (RH)	W (LH)	OIL W (RH)	W (LH)	X	YY	Z	PURGE CP	OIL CP	
1.5	2.5	8	9,000	11,000	7,250	13,000	6,750	0.625	0.625	2,250	0.188	2,000	3,438	4,250	2,750	3,688	6,063	6,063	4,563	1,000	0.875	15,938	14,563	16,313	14,938	7,500	8,000	4,563	26,125	28,750
1.5	2.5	10	10,000	10,625	8,000	13,875	7,500	0.625	0.625	2,500	0.188	2,000	3,500	4,250	2,750	3,688	5,063	5,938	5,563	1,000	0.875	15,938	14,563	16,313	14,938	8,500	9,000	5,563	26,125	28,750
2	3	8	9,000	11,000	7,750	13,750	6,750	0.625	0.625	2,250	0.188	2,000	4,125	4,688	2,688	3,563	6,188	6,188	4,750	1,000	0.875	16,438	14,813	16,438	14,813	7,500	8,000	4,750	26,563	28,813
2	3	10	10,000	12,000	9,000	15,750	7,500	0.750	0.625	2,500	0.250	2,500	4,750	3,188	2,813	3,938	4,813	6,813	5,688	1,188	1.063	15,813	13,813	17,500	15,500	8,500	9,000	5,688	26,438	30,375
2.5	3	9	10,000	12,000	9,000	15,750	7,500	0.750	0.625	2,500	0.250	2,500	5,063	3,188	2,813	3,938	4,813	6,813	5,575	1,188	1.063	17,563	15,438	17,563	15,438	8,250	9,000	5,375	28,125	30,375
3	4	9	10,000	13,500	10,000	17,000	7,500	0.750	0.750	2,500	0.250	2,500	5,938	4,625	3,000	4,125	4,375	7,875	5,500	1,188	1.250	17,813	15,438	18,188	15,813	8,750	9,750	5,500	28,563	31,188
3	4	11	12,500	14,000	11,250	20,125	9,500	0.875	0.750	3,000	0.250	3,250	5,938	4,250	4,125	5,063	5,063	7,438	6,500	1,375	1.250	21,188	18,813	21,188	18,813	10,000	11,000	6,500	33,438	36,625
4	5	11	14,000	17,000	12,250	20,750	11,000	1,000	1,000	3,000	0.375	2,500	7,000	3,875	4,250	6,000	6,000	9,000	6,625	1,625	1.438	19,938	17,063	22,438	19,563	11,000	12,000	6,625	33,125	38,250

*ALL DIMENSIONS ARE IN INCHES AND ± 0.375.
*NOT FOR CONSTRUCTION, UNLESS CERTIFIED BY ENGINEERING.

380 SERIES HH

FLEX-COUPLED MULTISTAGE HSC PUMP ONLY



SUCTION	DISCHARGE
STD. 125# FLANGE	STD. 250# FLANGE
OPT. 250# FLANGE	

PUMP SIZE	CASE	A	B	D	D1	E2	G	H	J2	K	L	M	PURGE N&V	OIL N&V	R1	R2	R3	S	T	U	PURGE W (RH) W (LH)	OIL W (RH) W (LH)	X	YY	Z	PURGE CP	OIL CP			
1.5	2.5	8	9,000	11,000	7,250	13,000	6,750	0.625	0.625	2,250	0.188	2,000	3,438	4,250	2,750	3,688	6,063	6,063	4,563	1,000	0.875	15,938	14,563	16,313	14,938	7,500	8,000	4,563	26,125	28,750
1.5	2.5	10	10,000	10,625	8,000	13,875	7,500	0.625	0.625	2,500	0.188	2,000	3,500	4,250	2,750	3,688	5,063	5,938	5,563	1,000	0.875	15,938	14,563	16,313	14,938	8,500	9,000	5,563	26,125	28,750
2	3	8	9,000	11,000	7,750	13,750	6,750	0.625	0.625	2,250	0.188	2,000	4,125	4,688	2,688	3,563	6,188	6,188	4,750	1,000	0.875	16,438	14,813	16,438	14,813	7,500	8,000	4,750	26,563	28,813
2	3	10	10,000	12,000	9,000	15,750	7,500	0.750	0.625	2,500	0.250	2,500	4,750	3,188	2,813	3,938	4,813	6,813	5,688	1,188	1.063	15,813	13,813	17,500	15,500	8,500	9,000	5,688	26,438	30,375
2.5	3	9	10,000	13,500	9,000	17,000	7,500	0.750	0.625	2,500	0.250	2,500	5,063	3,188	2,813	3,938	4,813	6,813	5,375	1,188	1.063	17,563	15,438	17,563	15,438	8,250	9,000	5,375	28,125	30,375
3	4	9	10,000	13,500	10,000	17,000	7,500	0.750	0.750	2,500	0.250	2,500	5,063	3,000	4,125	4,625	4,375	7,875	5,500	1,188	1.250	17,813	15,438	18,188	15,813	8,750	9,750	5,500	28,563	31,188
3	4	11	12,500	14,000	11,250	20,125	9,500	0.875	0.750	3,000	0.250	3,250	5,938	4,125	5,063	5,063	7,438	6,500	1,375	1,250	1.438	21,188	18,813	21,188	18,813	10,000	11,000	6,500	33,438	36,625
4	5	11	14,000	17,000	12,250	20,750	11,000	1,000	1,000	3,000	0.375	2,500	7,000	3,875	4,250	6,000	6,000	9,000	6,625	1,625	1.438	19,938	17,063	22,438	19,563	11,000	12,000	6,625	33,125	38,250

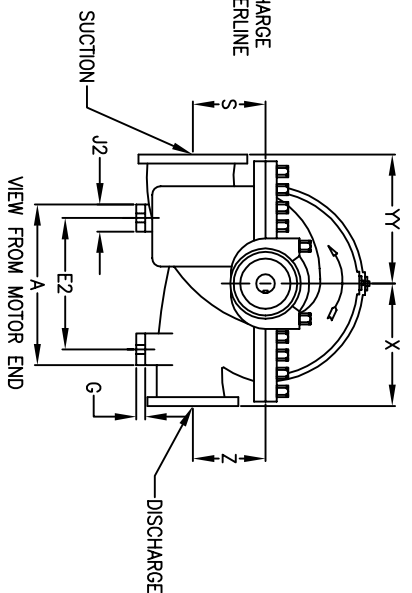
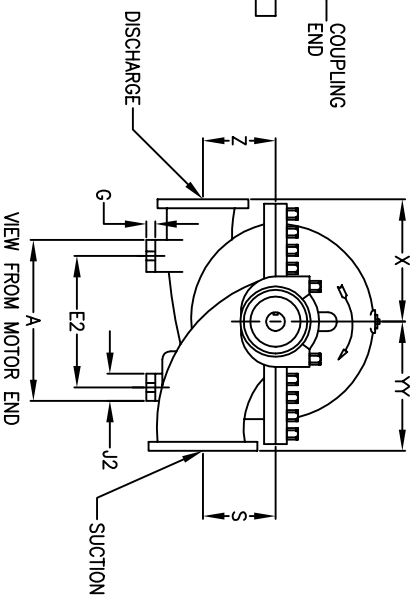
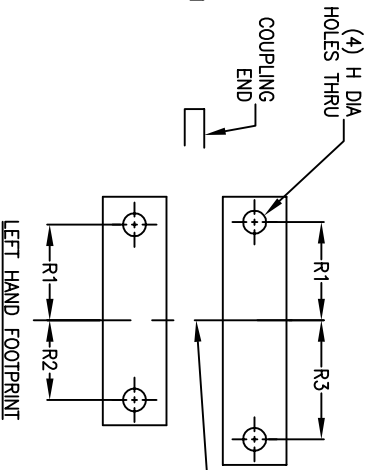
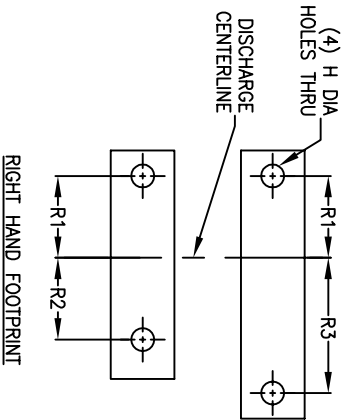
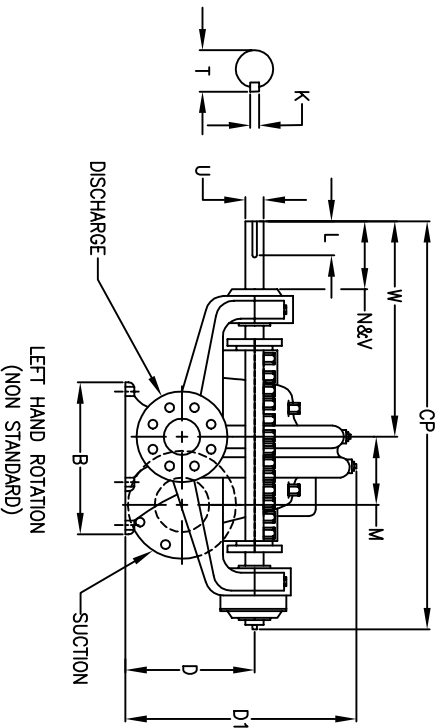
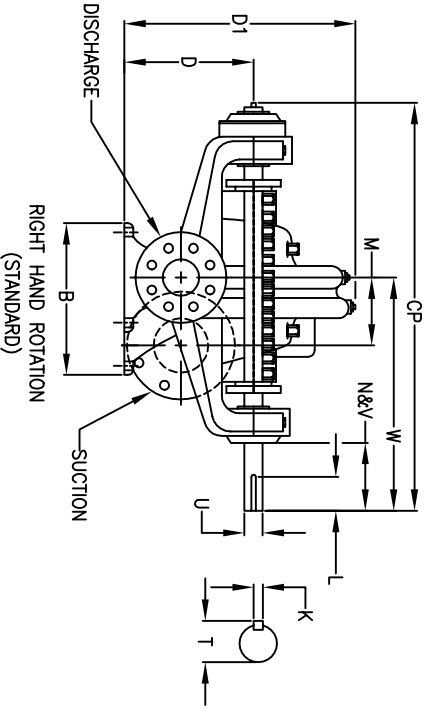
*ALL DIMENSIONS ARE IN INCHES AND ± 0.375.
*NOT FOR CONSTRUCTION, UNLESS CERTIFIED BY ENGINEERING.

380 SERIES HH

FLEX-COUPLED MULTISTAGE HSC PUMP ONLY



A WILCO BRAND



SUCTION	DISCHARGE
STD. 125# FLANGE	STD. 250# FLANGE
OPT. 250# FLANGE	

PUMP SIZE	CASE	A	B	D	D1	E2	G	H	J2	K	L	M	PURGE N&V	OIL N&V	R1	R2	R3	S	T	U	PURGE W (RH) W (LH)	OIL W (RH) W (LH)	X	YY	Z	PURGE CP	OIL CP			
1.5	2.5	8	9,000	11,000	7,250	13,000	6,750	0.625	0.625	2,250	0.188	2,000	3,438	4,250	2,750	3,688	6,063	6,063	4,563	1,000	0.875	15,938	14,563	16,313	14,938	7,500	8,000	4,563	26,125	28,750
1.5	2.5	10	10,000	10,625	8,000	13,875	7,500	0.625	0.625	2,500	0.188	2,000	3,500	4,250	2,750	3,688	5,063	5,938	5,563	1,000	0.875	15,938	14,563	16,313	14,938	8,500	9,000	5,563	26,125	28,750
2	3	8	9,000	11,000	7,750	13,750	6,750	0.625	0.625	2,250	0.188	2,000	4,125	4,688	2,688	3,563	6,188	6,188	4,750	1,000	0.875	16,438	14,813	16,438	14,813	7,500	8,000	4,750	26,563	28,813
2	3	10	10,000	12,000	9,000	15,750	7,500	0.750	0.625	2,500	0.250	2,500	4,750	3,188	2,813	3,938	4,813	6,813	5,688	1,188	1.063	15,813	13,813	17,500	15,500	8,500	9,000	5,688	26,438	30,375
2.5	3	9	10,000	12,000	9,000	15,750	7,500	0.750	0.625	2,500	0.250	2,500	5,063	3,188	2,813	3,938	4,813	6,813	5,575	1,188	1.063	17,563	15,438	17,563	15,438	8,250	9,000	5,375	28,125	30,375
3	4	9	10,000	13,500	10,000	17,000	7,500	0.750	0.750	2,500	0.250	2,500	5,938	4,625	3,000	4,125	4,375	7,875	5,500	1,188	1.250	17,813	15,438	18,188	15,813	8,750	9,750	5,500	28,563	31,188
3	4	11	12,500	14,000	11,250	20,125	9,500	0.875	0.750	3,000	0.250	3,250	5,938	4,625	4,125	5,063	5,063	7,438	6,500	1,375	1.250	21,188	18,813	21,188	18,813	10,000	11,000	6,500	33,438	36,625
4	5	11	14,000	17,000	12,250	20,750	11,000	1,000	1,000	3,000	0.375	2,500	7,000	3,875	4,250	6,000	6,000	9,000	6,625	1,625	1.438	19,938	17,063	22,438	19,563	11,000	12,000	6,625	33,125	38,250

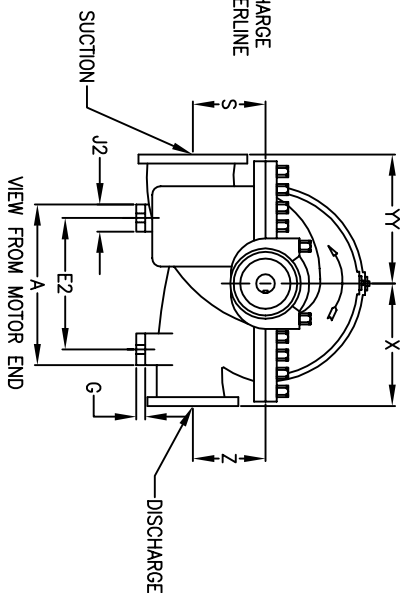
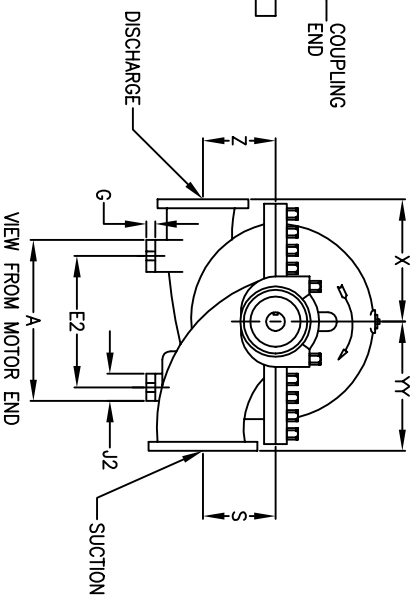
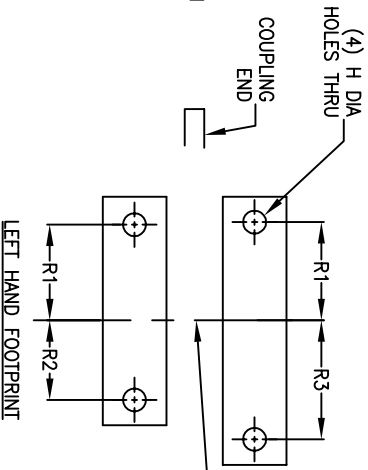
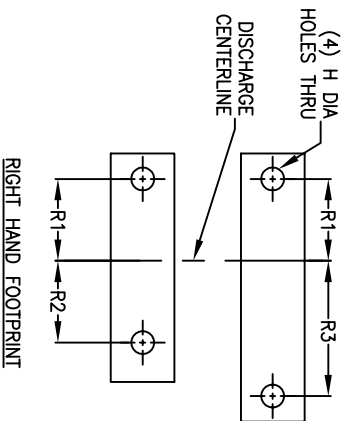
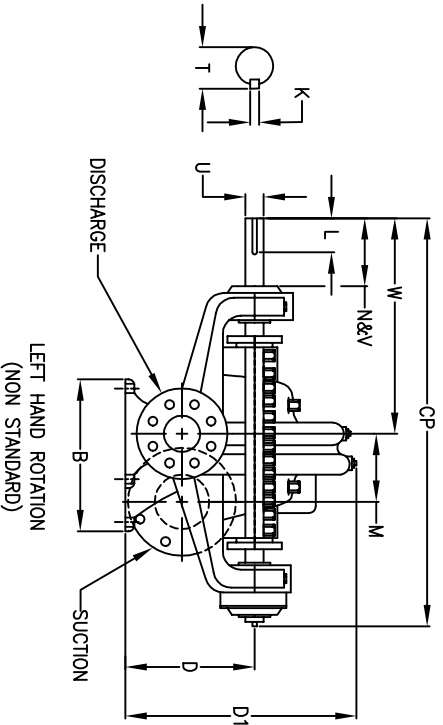
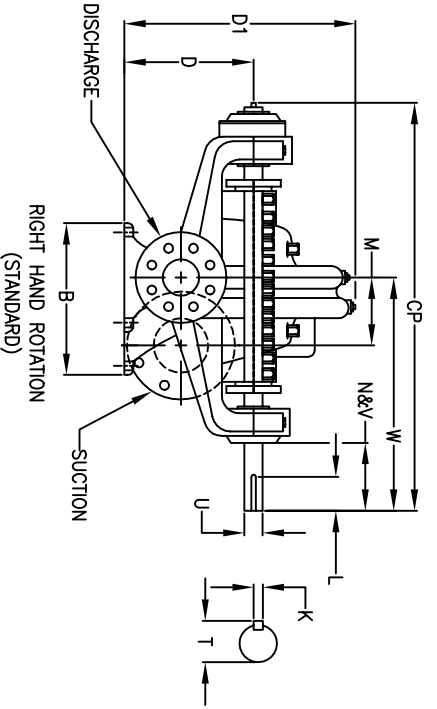
*ALL DIMENSIONS ARE IN INCHES AND ± 0.375.
*NOT FOR CONSTRUCTION, UNLESS CERTIFIED BY ENGINEERING.

380 SERIES HH

FLEX-COUPLED MULTISTAGE HSC PUMP ONLY



A WILLO BRAND



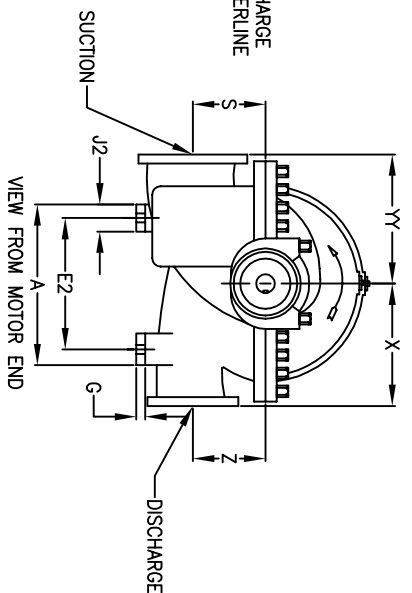
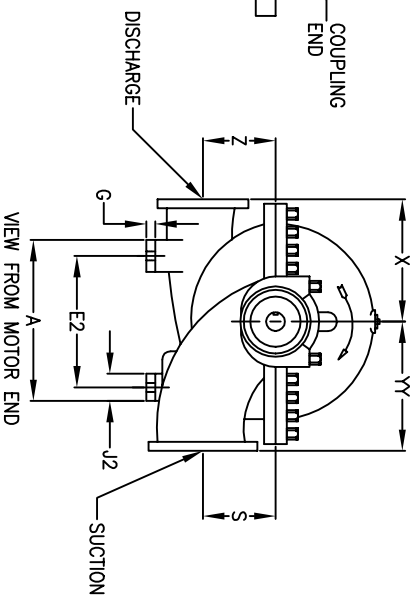
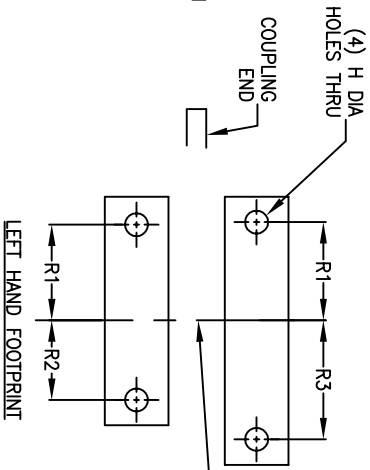
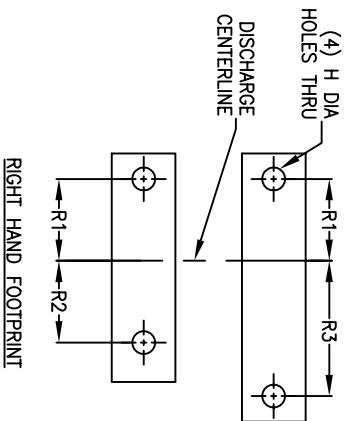
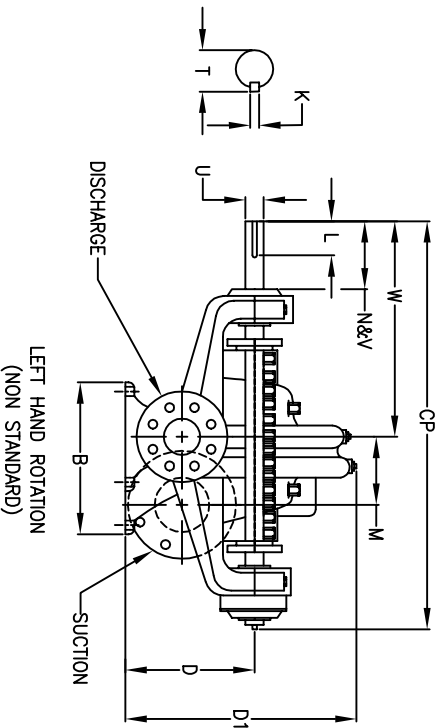
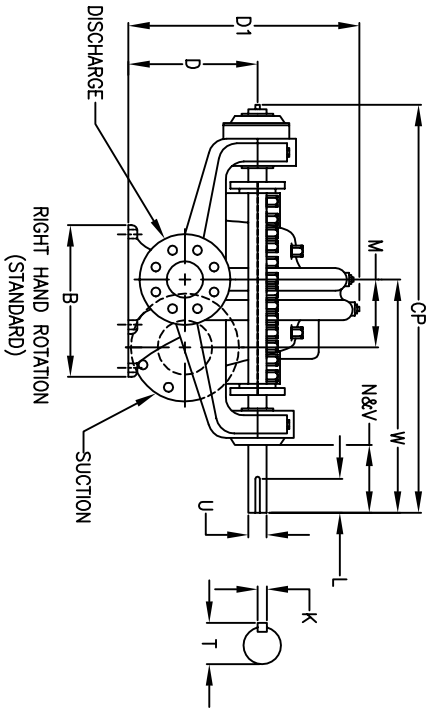
SUCTION	DISCHARGE
STD. 125# FLANGE	STD. 250# FLANGE
OPT. 250# FLANGE	

PUMP SIZE	CASE	A	B	D	D1	E2	G	H	J2	K	L	M	PURGE N&V	OIL N&V	R1	R2	R3	S	T	U	PURGE W (RH) W (LH)	OIL W (RH) W (LH)	X	YY	Z	PURGE CP	OIL CP			
1.5	2.5	8	9.000	11.000	7.250	13.000	6.750	0.625	0.625	2.250	0.188	2.000	3.438	4.250	2.750	3.688	6.063	6.063	4.563	1.000	0.875	15.938	14.563	16.313	14.938	7.500	8.000	4.563	26.125	28.750
1.5	2.5	10	10.000	10.625	8.000	13.875	7.500	0.625	0.625	2.500	0.188	2.000	3.500	4.250	2.750	3.688	5.063	5.938	5.563	1.000	0.875	15.938	14.563	16.313	14.938	8.500	9.000	5.563	26.125	28.750
2	3	8	9.000	11.000	7.750	13.750	6.750	0.625	0.625	2.250	0.188	2.000	4.125	4.688	2.688	3.563	6.188	6.188	4.750	1.000	0.875	16.438	14.813	16.438	14.813	7.500	8.000	4.750	26.563	28.813
2	3	10	10.000	12.000	9.000	15.750	7.500	0.750	0.625	2.500	0.250	2.500	4.750	3.188	2.813	3.938	4.813	6.813	5.688	1.188	1.063	15.813	13.813	17.500	15.500	8.500	9.000	5.688	26.438	30.375
2.5	3	9	10.000	13.500	9.000	17.000	7.500	0.750	0.625	2.500	0.250	2.500	5.063	3.188	2.813	3.938	4.813	6.813	5.575	1.188	1.063	17.563	15.438	17.563	15.438	8.250	9.000	5.375	28.125	30.375
3	4	9	10.000	13.500	10.000	17.000	7.500	0.875	0.750	2.500	0.250	2.500	5.938	4.625	3.000	4.125	4.375	7.875	5.500	1.188	1.250	17.813	15.438	18.188	15.813	8.750	9.750	5.500	28.563	31.188
3	4	11	12.500	14.000	11.250	20.125	9.500	0.875	0.750	3.000	0.250	3.250	5.938	4.625	4.125	5.063	5.063	7.438	6.500	1.375	1.250	21.188	18.813	21.188	18.813	10.000	11.000	6.500	33.438	36.625
4	5	11	14.000	17.000	12.250	20.750	11.000	1.000	1.000	3.000	0.375	2.500	7.000	3.875	4.250	6.000	6.000	9.000	6.625	1.625	1.438	19.938	17.063	22.438	19.563	11.000	12.000	6.625	33.125	38.250

*ALL DIMENSIONS ARE IN INCHES AND ± 0.375.
*NOT FOR CONSTRUCTION, UNLESS CERTIFIED BY ENGINEERING.

380 SERIES HH

FLEX-COUPLED MULTISTAGE HSC PUMP ONLY



SUCTION	DISCHARGE
STD. 125# FLANGE	STD. 250# FLANGE
OPT. 250# FLANGE	

PUMP SIZE	CASE	A	B	D	D1	E2	G	H	J2	K	L	M	PURGE N&V	OIL N&V	R1	R2	R3	S	T	U	PURGE W (RH)	W (LH)	OIL W (RH)	W (LH)	X	YY	Z	PURGE CP	OIL CP	
1.5	2.5	8	9,000	11,000	7,250	13,000	6,750	0.625	0.625	2,250	0.188	2,000	3,438	4,250	2,750	3,688	6,063	6,063	4,563	1,000	0.875	15,938	14,563	16,313	14,938	7,500	8,000	4,563	26,125	28,750
1.5	2.5	10	10,000	10,625	8,000	13,875	7,500	0.625	0.625	2,500	0.188	2,000	3,500	4,250	2,750	3,688	5,063	5,938	5,563	1,000	0.875	15,938	14,563	16,313	14,938	8,500	9,000	5,563	26,125	28,750
2	3	8	9,000	11,000	7,750	13,750	6,750	0.625	0.625	2,250	0.188	2,000	4,125	4,688	2,688	3,563	6,188	6,188	4,750	1,000	0.875	16,438	14,813	16,438	14,813	7,500	8,000	4,750	26,563	28,813
2	3	10	10,000	12,000	9,000	15,750	7,500	0.750	0.625	2,500	0.250	2,500	4,750	3,188	2,813	3,938	4,813	6,813	5,688	1,188	1.063	15,813	13,813	17,500	15,500	8,500	9,000	5,688	26,438	30,375
2.5	3	9	10,000	13,500	9,000	17,000	7,500	0.750	0.625	2,500	0.250	2,500	5,063	3,188	2,813	3,938	4,813	6,813	5,575	1,188	1.063	17,563	15,438	17,563	15,438	8,250	9,000	5,375	28,125	30,375
3	4	9	10,000	13,500	10,000	17,000	7,500	0.750	0.750	2,500	0.250	2,500	5,063	3,000	4,125	4,875	7,875	5,500	1,188	1.063	17,813	15,438	18,188	15,813	8,750	9,000	5,500	28,563	31,188	
3	4	11	12,500	14,000	11,250	20,125	9,500	0.875	0.750	3,000	0.250	3,250	5,938	4,250	5,938	6,563	8,425	6,500	1,375	1,250	1.438	21,188	18,813	21,188	18,813	10,000	11,000	6,500	33,438	36,625
4	5	11	14,000	17,000	12,250	20,750	11,000	1,000	1,000	3,000	0.375	2,500	7,000	3,875	4,250	6,000	6,000	9,000	6,625	1,625	1.438	19,938	17,063	22,438	19,563	11,000	12,000	6,625	33,125	38,250

*ALL DIMENSIONS ARE IN INCHES AND ± 0.375.
*NOT FOR CONSTRUCTION, UNLESS CERTIFIED BY ENGINEERING.