

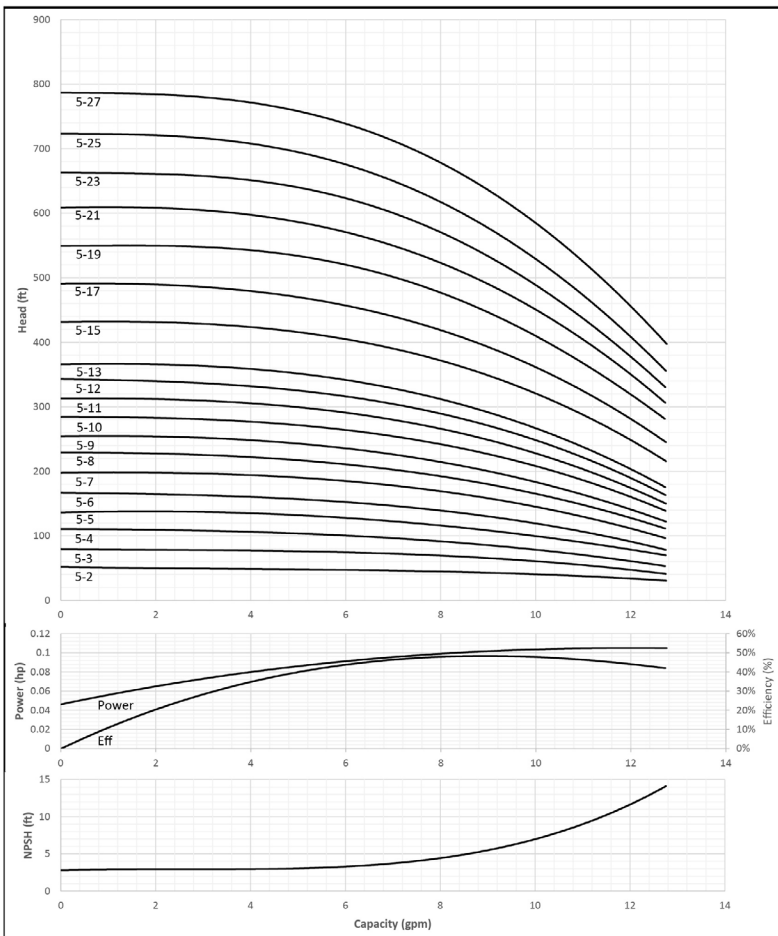
Submittal Data Sheet

MVI - Vertical Multistage Pumps



A WILO BRAND

MVI 5								
		Project:						
		Engineer:						
		Contractor:						
		Submitted By:				Date:		
		Approved By:				Date:		
Tag #	Model #	Flow	Head	HP	Cycle	Phase	Voltage	RPM
					60HZ			



Applications

- Water supply & pressure boosting
- Industrial circulation systems
- Cooling water circulation systems
- Process water
- Washing systems
- Irrigation

Materials of Construction

	AISI 304 Stainless Steel Model	AISI 316 stainless steel Model
Pump Volute, Impeller, Outer Sleeve, Cover, Seal Chamber	AISI 304 stainless steel	AISI 316 stainless steel
Shaft	AISI 431 stainless steel	AISI 316 stainless steel
Pedestal	ASTM 65-45-12 Cast Iron	
Flanges	ASTM 65-45-12 Cast Iron	
Baseplate	ASTM 25B Cast Iron	
O-ring	EPDM or Viton (depending on model)	

Technical Data

Certification	NSF/ANSI 61 & 372 Certified
Liquid Temp Range	5 °F to 248 °F; determined by liquid type
Power Supply	1-115/208-230/460V, 3-208-230/460V, 3-575V
Ambient temperature	32 °F to 104 °F
Flange Connection	1-1/4" ANSI CLASS 300
Max Operating Pressure	363 PSI
Protection Class	IP 55

Approval Stamp

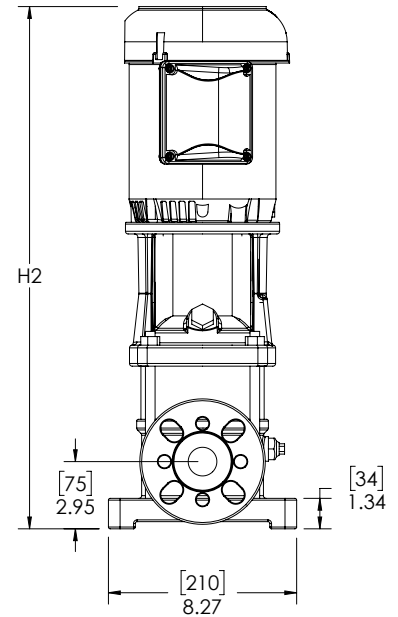
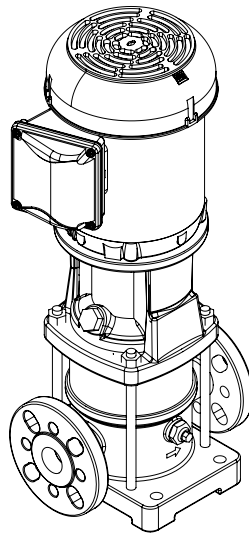
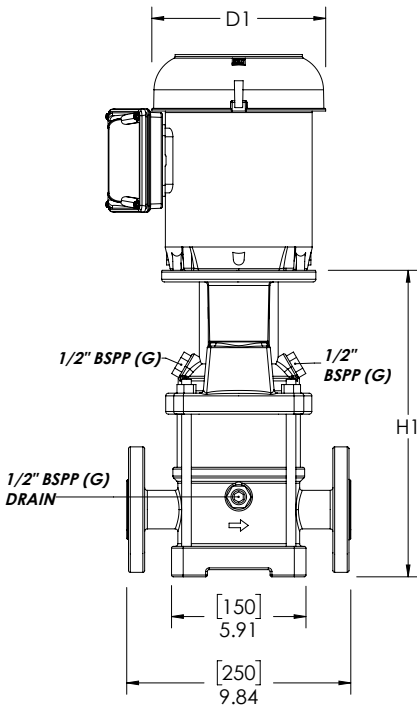
Submittal Data Sheet

MVI - Vertical Multistage Pumps



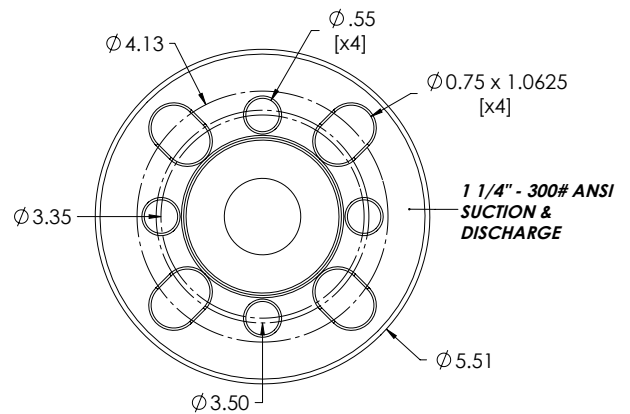
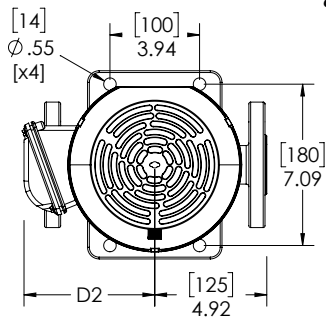
A WILO BRAND

Dimensions, Weights & Electrical Data



note:
Direction of flow
is from left to right
when viewing the
drain port.

**Refer to the flow arrow
on the pump volute.**



Submittal Data Sheet

Scot MVI – Vertical Multistage Pumps



A WILO BRAND

Dimensions, Weights & Electrical Data

Dimensions and Weights											TEFC Motor Data			
Model	H ₁		H ₂		D ₁		D ₂		Weight		115/208-230			
	Dimensions-inches (mm)										P2	Frame	Phase	FLA
	in	mm	in	(mm)	in	(mm)	in	(mm)	lbs	kg	[HP]	[~]	[A]	
MVI 5-2	12.1	306	21.1	537	7.6	194.0	5.9	149.4	52	23	0.3	56C	1	5.20/2.88-2.60
MVI 5-3	12.1	306	21.1	537	7.6	194.0	5.9	149.4	52	23	0.3	56C	1	5.20/2.88-2.60
MVI 5-4	12.8	324	22.2	565	7.7	195.1	5.9	149.4	54	25	0.5	56C	1	7.0/3.87-3.50
MVI 5-5	13.5	342	22.9	583	7.7	195.1	5.9	149.4	54	25	0.5	56C	1	7.0/3.87-3.50
MVI 5-6	14.2	360	24.8	630	7.6	194.0	5.9	149.4	63	29	0.75	56C	1	8.0/4.42-4.0
MVI 5-7	14.8	377	25.5	647	7.6	194.0	5.9	149.4	63	29	0.75	56C	1	8.0/4.42-4.0
MVI 5-8	15.6	395	26.6	676	7.6	194.0	5.9	149.4	68	31	1	56C	1	10.1/5.64-5.06
MVI 5-9	16.3	413	27.3	694	7.6	194.0	5.9	149.4	69	31	1	56C	1	10.1/5.64-5.06
MVI 5-10	17.0	431	28.0	712	7.6	194.0	5.9	149.4	70	32	1	56C	1	10.1/5.64-5.06
MVI 5-11	17.7	449	29.5	750	7.6	194.0	5.9	149.4	75	34	1.5	56C	1	13.2/7.3-6.6
MVI 5-12	18.4	467	30.2	768	7.6	194.0	5.9	149.4	76	35	1.5	56C	1	13.2/7.3-6.6
MVI 5-13	19.1	485	30.9	786	7.6	194.0	5.9	149.4	77	35	1.5	56C	1	13.2/7.3-6.6
MVI 5-15	20.6	522	32.8	833	7.6	194.0	5.9	149.4	83	38	2	56C	1	17.5/9.62-8.73
MVI 5-17	22.0	558	34.2	869	7.6	194.0	5.9	149.4	85	39	2	56C	1	17.5/9.62-8.73
MVI 5-19	23.4	594	35.6	905	7.6	194.0	5.9	149.4	86	39	2	56C	1	17.5/9.62-8.73
MVI 5-21	25.7	654	39.4	1001	8.6	218.0	6.9	174.0	127	58	3	182TC	1	29/15-14.5
MVI 5-23	27.2	690	40.8	1037	8.6	218.0	6.9	174.0	129	59	3	182TC	1	29/15-14.5
MVI 5-25	28.6	725	42.2	1073	8.6	218.0	6.9	174.0	130	59	3	182TC	1	29/15-14.5
MVI 5-27	30.0	761	43.7	1109	8.6	218.0	6.9	174.0	132	60	3	182TC	1	29/15-14.5

Dimensions and Weights											TEFC Motor Data			
Model	H ₁		H ₂		D ₁		D ₂		Weight		208-230/460 V			
	Dimensions-inches (mm)										P2	Frame	Phase	FLA
	in	mm	in	(mm)	in	(mm)	in	(mm)	lbs	kg	[HP]	[~]	[A]	
MVI 5-2	12.1	306	21.1	536	6.7	170.0	5.5	140.2	53	24	0.3	56C	3	1.33-1.20/0.602
MVI 5-3	12.1	306	21.1	536	6.7	170.0	5.5	140.2	53	24	0.3	56C	3	1.33-1.20/0.602
MVI 5-4	12.8	324	22.2	564	6.7	170.0	5.5	140.2	56	25	0.5	56C	3	1.86-1.69/0.843
MVI 5-5	13.5	342	22.9	582	6.7	170.0	5.5	140.2	56	25	0.5	56C	3	1.86-1.69/0.843
MVI 5-6	14.2	360	24.1	611	6.2	157.2	5.2	131.8	65	29	0.75	56C	3	2.50-2.26/1.13
MVI 5-7	14.8	377	24.7	628	6.2	157.2	5.2	131.8	65	29	0.75	56C	3	2.50-2.26/1.13
MVI 5-8	15.6	395	25.5	646	7.2	182.6	5.7	145.0	73	33	1	56C	3	3.32-3.0/1.50
MVI 5-9	16.3	413	26.2	664	7.2	182.6	5.7	145.0	74	34	1	56C	3	3.32-3.0/1.50
MVI 5-10	17.0	431	26.9	682	7.2	182.6	5.7	145.0	75	34	1	56C	3	3.32-3.0/1.50
MVI 5-11	17.7	449	28.8	733	7.2	182.6	5.7	145.0	80	36	1.5	56C	3	4.13-3.74/1.87
MVI 5-12	18.4	467	29.6	751	7.2	182.6	5.7	145.0	81	37	1.5	56C	3	4.13-3.74/1.87
MVI 5-13	19.1	485	30.3	768	7.2	182.6	5.7	145.0	82	37	1.5	56C	3	4.13-3.74/1.87
MVI 5-15	20.6	522	32.6	828	7.2	182.6	5.7	145.0	93	42	2	56C	3	5.46-4.94/2.47
MVI 5-17	22.0	558	34.0	864	7.2	182.6	5.7	145.0	95	43	2	56C	3	5.46-4.94/2.47
MVI 5-19	23.4	594	35.4	900	7.2	182.6	5.7	145.0	96	44	2	56C	3	5.46-4.94/2.47
MVI 5-21	25.7	654	39.4	1001	8.6	218.4	6.9	174.5	127	58	3	182/4TC	3	8.12-7.34/3.67
MVI 5-23	27.2	690	40.8	1037	8.6	218.4	6.9	174.5	129	59	3	182/4TC	3	8.12-7.34/3.67
MVI 5-25	28.6	725	42.2	1073	8.6	218.4	6.9	174.5	130	59	3	182/4TC	3	8.12-7.34/3.67
MVI 5-27	30.0	761	43.7	1109	8.6	218.4	6.9	174.5	132	60	3	182/4TC	3	8.12-7.34/3.67

Submittal Data Sheet

Scot MVI – Vertical Multistage Pumps



A WILO BRAND

Dimensions, Weights & Electrical Data

Dimensions and Weights

Model	H ₁		H ₂		D ₁		D ₂		Weight	
	Dimensions—inches (mm)									
	in	mm	in	(mm)	in	(mm)	in	(mm)	lbs	kg
MVI 5-2	12.1	306	21.1	537	7.6	194	5.9	149	51	23
MVI 5-3	12.1	306	21.1	537	7.6	194	5.9	149	51	23
MVI 5-4	12.8	324	22.2	565	7.6	194	5.9	149	55	25
MVI 5-5	13.5	342	22.9	583	7.6	194	5.9	149	55	25
MVI 5-6	14.2	360	23.7	601	7.6	194	5.9	149	57	26
MVI 5-7	14.8	377	24.3	618	7.6	194	5.9	149	57	26
MVI 5-8	15.6	395	24.6	626	6.7	170	5.5	140	59	27
MVI 5-9	16.3	413	25.3	644	6.7	170	5.5	140	60	27
MVI 5-10	17.0	431	26.1	662	6.7	170	5.5	140	61	28
MVI 5-11	17.7	449	28.7	730	7.6	194	5.9	149	73	33
MVI 5-12	18.4	467	29.4	748	7.6	194	5.9	149	74	34
MVI 5-13	19.1	485	30.1	766	7.6	194	5.9	149	75	34
MVI 5-15	20.6	522	32.4	823	7.6	194	5.9	149	83	38
MVI 5-17	22.0	558	33.8	859	7.6	194	5.9	149	85	39
MVI 5-19	23.4	594	35.2	895	7.6	194	5.9	149	86	39
MVI 5-21	25.7	654	38.8	984	8.9	226	7.6	192	146	66
MVI 5-23	27.2	690	40.2	1020	8.9	226	7.6	192	148	67
MVI 5-25	28.6	725	41.6	1056	8.9	226	7.6	192	149	68
MVI 5-27	30.0	761	43.0	1092	8.9	226	7.6	192	151	69

TEFC Motor Data


P2	Frame	Phase	575V
			FLA
			[HP]
0.3	56C	3	0.482
0.3	56C	3	0.482
0.5	56C	3	0.674
0.5	56C	3	0.674
0.75	56C	3	0.904
0.75	56C	3	0.904
1	W56C	3	1.2
1	W56C	3	1.2
1	W56C	3	1.2
1.5	56C	3	1.5
1.5	56C	3	1.5
1.5	56C	3	1.5
2	56C	3	1.98
2	56C	3	1.98
2	56C	3	1.98
3	182/4TC	3	2.9
3	182/4TC	3	2.9
3	182/4TC	3	2.9
3	182/4TC	3	2.9

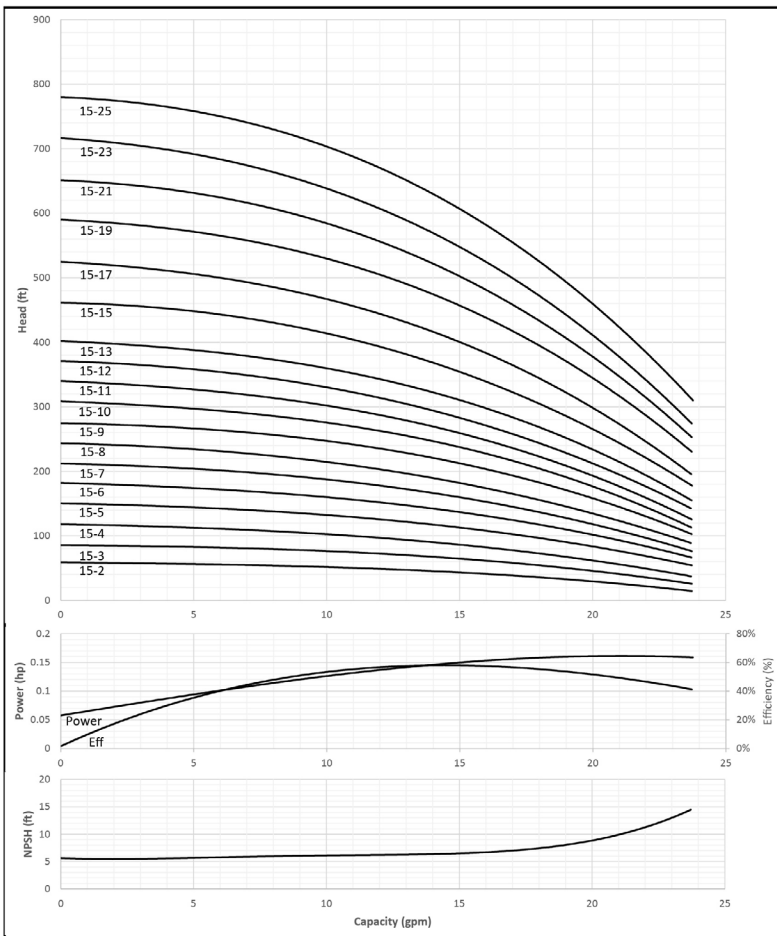
Submittal Data Sheet

MVI - Vertical Multistage Pumps



A WILO BRAND

MVI 15								
		Project:						
		Engineer:						
		Contractor:						
		Submitted By:				Date:		
		Approved By:				Date:		
Tag #	Model #	Flow	Head	HP	Cycle	Phase	Voltage	RPM
					60HZ			



Applications

- Water supply & pressure boosting
- Industrial circulation systems
- Cooling water circulation systems
- Process water
- Washing systems
- Irrigation

Materials of Construction

	AISI 304 Stainless Steel Model	AISI 316 stainless steel Model
Pump Volute, Impeller, Outer Sleeve, Cover, Seal Chamber	AISI 304 stainless steel	AISI 316 stainless steel
Shaft	AISI 431 stainless steel	AISI 316 stainless steel
Pedestal	ASTM 65-45-12 Cast Iron	
Flanges	ASTM 65-45-12 Cast Iron	
Baseplate	ASTM 25B Cast Iron	
O-ring	EPDM or Viton (depending on model)	

Technical Data

Certification	NSF/ANSI 61 & 372 Certified
Liquid Temp Range	5 °F to 248 °F; determined by liquid type
Power Supply	1-115/208-230/460V, 3-208-230/460V, 3-575V
Ambient temperature	32 °F to 104 °F
Flange Connection	1-1/4" ANSI CLASS 300
Max Operating Pressure	363 PSI
Protection Class	IP 55

Approval Stamp

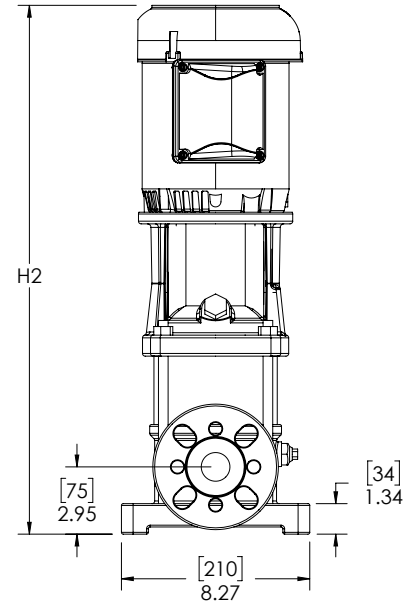
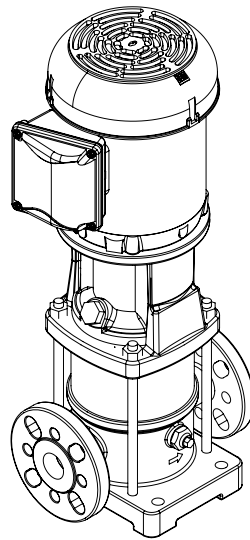
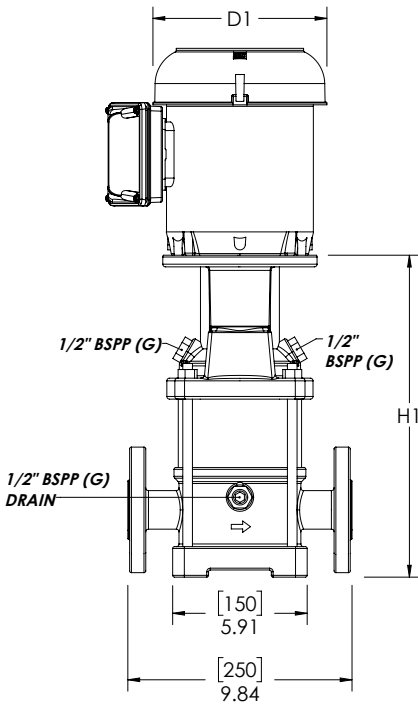
Submittal Data Sheet

MVI - Vertical Multistage Pumps



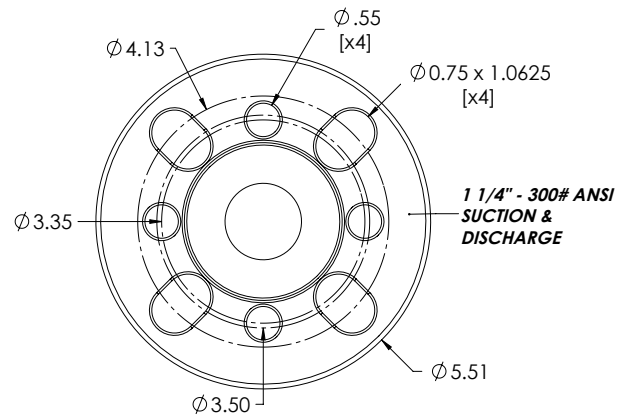
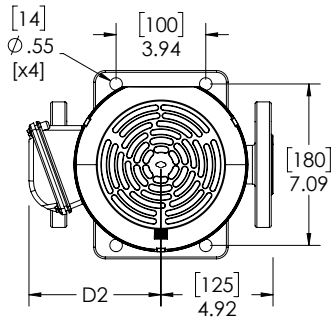
A WILO BRAND

Dimensions, Weights & Electrical Data



note:
Direction of flow
is from left to right
when viewing the
drain port.

Refer to the flow arrow
on the pump volute.



Submittal Data Sheet

Scot MVI – Vertical Multistage Pumps



A WILO BRAND

Dimensions, Weights & Electrical Data

Dimensions and Weights											TEFC Motor Data			
Model	H ₁		H ₂		D ₁		D ₂		Weight		115/208-230			
	Dimensions-inches (mm)										P2	Frame	Phase	FLA
	in	mm	in	(mm)	in	(mm)	in	(mm)	lbs	kg	[HP]	[~]	[A]	
MVI 15-2	12.1	306	21.1	536	6.7	170.0	5.5	140.2	53	24	0.3	56C	1	5.20/2.88-2.60
MVI 15-3	12.1	306	21.5	546	6.7	170.0	5.5	140.2	55	25	0.5	56C	1	7.0/3.87-3.50
MVI 15-4	12.8	324	23.4	594	7.6	194.0	5.9	149.0	64	29	0.75	56C	1	8.0/4.42-4.0
MVI 15-5	13.4	341	24.1	611	7.6	194.0	5.9	149.0	64	29	0.75	56C	1	8.0/4.42-4.0
MVI 15-6	14.1	359	25.2	640	7.6	194.0	5.9	149.0	67	30	1	56C	1	10.1/5.64-5.06
MVI 15-7	14.8	377	26.7	678	7.6	194.0	5.9	149.0	72	33	1.5	56C	1	13.2/7.3-6.6
MVI 15-8	15.6	395	27.4	696	7.6	194.0	5.9	149.0	73	33	1.5	56C	1	13.2/7.3-6.6
MVI 15-9	16.3	414	28.1	715	7.6	194.0	5.9	149.0	73	33	1.5	56C	1	13.2/7.3-6.6
MVI 15-10	17.0	432	29.2	743	7.6	194.0	5.9	149.0	79	36	2	56C	1	17.5/9.62-8.73
MVI 15-11	17.7	450	30.0	761	7.6	194.0	5.9	149.0	80	36	2	56C	1	17.5/9.62-8.73
MVI 15-12	18.4	468	30.7	779	7.6	194.0	5.9	149.0	81	37	2	56C	1	17.5/9.62-8.73
MVI 15-13	20.1	510	33.7	857	8.6	218.4	6.9	174.5	121	55	3	182TC	1	29/15-14.5
MVI 15-15	21.5	546	35.2	893	8.6	218.4	6.9	174.5	122	55	3	182TC	1	29/15-14.5
MVI 15-17	22.9	581	36.6	929	8.6	218.4	6.9	174.5	124	56	3	182TC	1	29/15-14.5
MVI 15-19	24.5	622	38.2	970	8.6	218.4	6.9	174.5	125	57	3	182TC	1	29/15-14.5

Dimensions and Weights											TEFC Motor Data			
Model	H ₁		H ₂		D ₁		D ₂		Weight		208-230/460 V			
	Dimensions-inches (mm)										P2	Frame	Phase	FLA
	in	mm	in	(mm)	in	(mm)	in	(mm)	lbs	kg	[HP]	[~]	[A]	
MVI 15-2	12.1	306	21.1	537	7.6	194.0	5.9	149.4	52	23	0.5	56C	3	1.86-1.69/0.843
MVI 15-3	12.1	306	21.5	547	7.7	195.1	5.9	149.4	53	24	0.75	56C	3	2.50-2.26/1.13
MVI 15-4	12.8	324	22.2	565	7.6	194.0	5.9	149.4	55	25	0.75	56C	3	2.50-2.26/1.13
MVI 15-5	13.4	341	22.9	582	7.6	194.0	5.9	149.4	55	25	1	56C	3	3.32-3.0/1.50
MVI 15-6	14.1	359	23.2	590	6.7	170.0	5.5	140.2	57	26	1.5	56C	3	4.13-3.74/1.87
MVI 15-7	14.8	377	25.9	658	7.6	194.0	5.9	149.4	70	32	1.5	56C	3	4.13-3.74/1.87
MVI 15-8	15.6	395	26.6	676	7.6	194.0	5.9	149.4	71	32	1.5	56C	3	4.13-3.74/1.87
MVI 15-9	16.3	414	27.4	695	7.6	194.0	5.9	149.4	71	32	2	56C	3	5.46-4.94/2.47
MVI 15-10	17.0	432	28.9	733	7.6	194.0	5.9	149.4	78	35	2	56C	3	5.46-4.94/2.47
MVI 15-11	17.7	450	29.6	751	7.6	194.0	5.9	149.4	79	36	2	56C	3	5.46-4.94/2.47
MVI 15-12	18.4	468	30.3	769	7.6	194.0	5.9	149.4	80	36	3	182/4TC	3	8.12-7.34/3.67
MVI 15-13	20.1	510	34.9	887	10.1	256.0	6.7	170.1	124	56	3	182/4TC	3	8.12-7.34/3.67
MVI 15-15	21.5	546	36.3	923	10.1	256.0	6.7	170.1	125	57	3	182/4TC	3	8.12-7.34/3.67
MVI 15-17	22.9	581	37.7	959	10.1	256.0	6.7	170.1	127	58	3	182/4TC	3	8.12-7.34/3.67
MVI 15-19	24.5	622	39.4	999	10.1	256.0	6.7	170.1	128	58	5	182/4TC	3	13.1-11.8/5.90
MVI 15-21	25.7	654	42.2	1071	10.1	256.0	6.7	170.1	145	66	5	182/4TC	3	13.1-11.8/5.90
MVI 15-23	27.2	690	43.6	1107	10.1	256.0	6.7	170.1	147	67	5	182/4TC	3	13.1-11.8/5.90
MVI 15-25	28.6	725	45.0	1142	10.1	256.0	6.7	170.1	148	67	3	182/4TC	3	8.12-7.34/3.67

Submittal Data Sheet

Scot MVI – Vertical Multistage Pumps



A WILO BRAND

Dimensions, Weights & Electrical Data


Dimensions and Weights											TEFC Motor Data			
Model	H ₁		H ₂		D ₁		D ₂		Weight		P2	Frame	Phase	575V
	in	mm	in	(mm)	in	(mm)	in	(mm)	lbs	kg				FLA
	Dimensions—inches (mm)													[HP]
MVI 15-2	12.1	306	21.1	537	7.6	194	5.9	149	51	23	0.3	56C	3	0.482
MVI 15-3	12.1	306	21.5	547	7.6	194	5.9	149	54	25	0.5	56C	3	0.674
MVI 15-4	12.8	324	22.2	565	7.6	194	5.9	149	56	25	0.75	56C	3	0.904
MVI 15-5	13.4	341	22.9	582	7.6	194	5.9	149	56	25	0.75	56C	3	0.904
MVI 15-6	14.1	359	23.2	590	6.7	170	5.5	140	58	26	1	W56C	3	1.2
MVI 15-7	14.8	377	25.9	658	7.6	194	5.9	149	70	32	1.5	56C	3	1.5
MVI 15-8	15.6	395	26.6	676	7.6	194	5.9	149	71	32	1.5	56C	3	1.5
MVI 15-9	16.3	414	27.4	695	7.6	194	5.9	149	71	32	1.5	56C	3	1.5
MVI 15-10	17.0	432	28.9	733	7.6	194	5.9	149	79	36	2	56C	3	1.98
MVI 15-11	17.7	450	29.6	751	7.6	194	5.9	149	80	37	2	56C	3	1.98
MVI 15-12	18.4	468	30.3	769	7.6	194	5.9	149	81	37	2	56C	3	1.98
MVI 15-13	20.1	510	33.1	840	8.9	226	7.6	192	140	64	3	182/4TC	3	2.9
MVI 15-15	21.5	546	34.5	876	8.9	226	7.6	192	141	64	3	182/4TC	3	2.9
MVI 15-17	22.9	581	35.9	912	8.9	226	7.6	192	143	65	3	182/4TC	3	2.9
MVI 15-19	24.5	622	37.5	953	8.9	226	7.6	192	144	65	3	182/4TC	3	2.9
MVI 15-21	25.7	654	40.2	1021	8.9	226	7.6	192	149	68	5	184TC	3	4.72
MVI 15-23	27.2	690	41.6	1057	8.9	226	7.6	192	151	69	5	184TC	3	4.72
MVI 15-25	28.6	725	43.0	1093	8.9	226	7.6	192	152	69	5	184TC	3	4.72

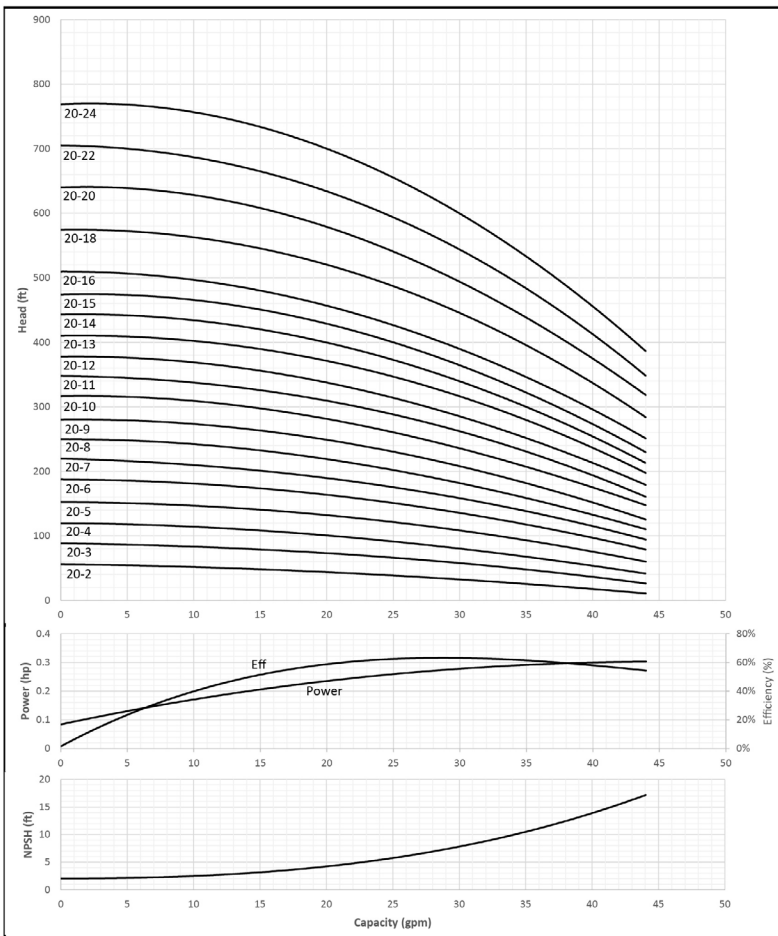
Submittal Data Sheet

MVI - Vertical Multistage Pumps



A WILO BRAND

MVI 20								
		Project:						
		Engineer:						
		Contractor:						
		Submitted By:				Date:		
		Approved By:				Date:		
Tag #	Model #	Flow	Head	HP	Cycle	Phase	Voltage	RPM
					60HZ			



Applications

- Water supply & pressure boosting
- Industrial circulation systems
- Cooling water circulation systems
- Process water
- Washing systems
- Irrigation

Materials of Construction

	AISI 304 Stainless Steel Model	AISI 316 stainless steel Model
Pump Volute, Impeller, Outer Sleeve, Cover, Seal Chamber	AISI 304 stainless steel	AISI 316 stainless steel
Shaft	AISI 431 stainless steel	AISI 316 stainless steel
Pedestal	ASTM 65-45-12 Cast Iron	
Flanges	ASTM 65-45-12 Cast Iron	
Baseplate	ASTM 25B Cast Iron	
O-ring	EPDM or Viton (depending on model)	

Technical Data

Certification	NSF/ANSI 61 & 372 Certified
Liquid Temp Range	5 °F to 248 °F; determined by liquid type
Power Supply	1~115/208-230/460V, 3~208-230/460V, 3~575V
Ambient temperature	32 °F to 104 °F
Flange Connection	1-1/4" ANSI CLASS 300
Max Operating Pressure	363 PSI
Protection Class	IP 55

Approval Stamp

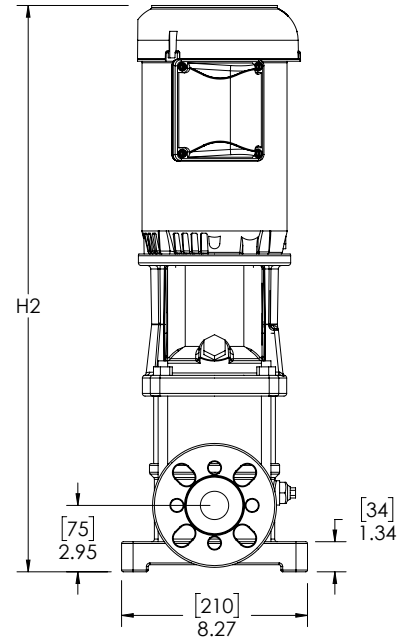
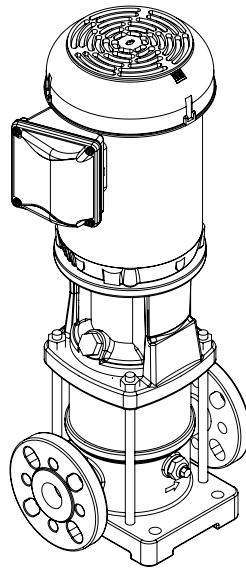
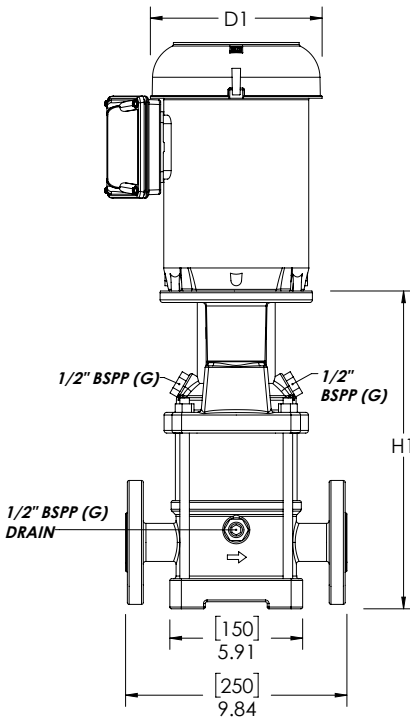
Submittal Data Sheet

MVI - Vertical Multistage Pumps



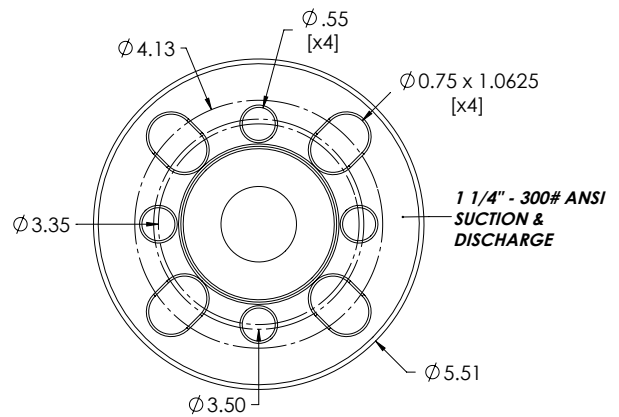
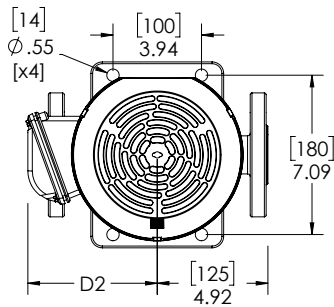
A WILO BRAND

Dimensions, Weights & Electrical Data



note:
 Direction of flow
 is from left to right
 when viewing the
 drain port.

Refer to the flow arrow
 on the pump volute.



Submittal Data Sheet

Scot MVI – Vertical Multistage Pumps



A WILO BRAND

Dimensions, Weights & Electrical Data

Dimensions and Weights											TEFC Motor Data			
Model	H ₁		H ₂		D ₁		D ₂		Weight		115/208-230			
	Dimensions-inches (mm)										P2	Frame	Phase	FLA
	in	mm	in	(mm)	in	(mm)	in	(mm)	lbs	kg	[HP]	[~]	[A]	
MVI 20-2	12.0	305	22.6	575	7.6	194.0	5.9	149.0	62	28	0.75	56C	1	8.0/4.42-4.0
MVI 20-3	13.1	333	24.2	613	7.6	194.0	5.9	149.0	66	30	1	56C	1	10.1/5.64-5.06
MVI 20-4	14.1	358	25.9	659	7.6	194.0	5.9	149.0	71	32	1.5	56C	1	13.2/7.3-6.6
MVI 20-5	15.2	386	27.0	687	7.6	194.0	5.9	149.0	72	33	1.5	56C	1	13.2/7.3-6.6
MVI 20-6	16.3	414	28.5	725	7.6	194.0	5.9	149.0	78	36	2	56C	1	17.5/9.62-8.73
MVI 20-7	17.4	442	29.6	753	7.6	194.0	5.9	149.0	79	36	2	56C	1	17.5/9.62-8.73
MVI 20-8	19.4	493	33.1	840	8.6	218.4	6.9	174.5	119	54	3	182TC	1	29/15-14.5
MVI 20-9	20.4	518	34.1	865	8.6	218.4	6.9	174.5	121	55	3	182TC	1	29/15-14.5
MVI 20-10	21.5	546	35.2	893	8.6	218.4	6.9	174.5	122	55	3	182TC	1	29/15-14.5

Dimensions and Weights											TEFC Motor Data			
Model	H ₁		H ₂		D ₁		D ₂		Weight		208-230/460 V			
	Dimensions-inches (mm)										P2	Frame	Phase	FLA
	in	mm	in	(mm)	in	(mm)	in	(mm)	lbs	kg	[HP]	[~]	[A]	
MVI 20-2	12.0	305	21.5	546	7.6	194.0	5.9	149.4	53	24	0.75	56C	3	2.50-2.26/1.13
MVI 20-3	13.1	333	22.2	563	6.7	170.0	5.5	140.2	56	25	1	56C	3	3.32-3.0/1.50
MVI 20-4	14.1	358	25.2	639	7.6	194.0	5.9	149.4	69	31	1.5	56C	3	4.13-3.74/1.87
MVI 20-5	15.2	386	26.3	667	7.6	194.0	5.9	149.4	70	32	1.5	56C	3	4.13-3.74/1.87
MVI 20-6	16.3	414	28.1	715	7.6	194.0	5.9	149.4	77	35	2	56C	3	5.46-4.94/2.47
MVI 20-7	17.4	442	29.2	743	7.6	194.0	5.9	149.4	78	35	2	56C	3	5.46-4.94/2.47
MVI 20-8	19.4	493	34.3	870	10.1	256.0	6.7	170.1	122	55	3	182/4TC	3	8.12-7.34/3.67
MVI 20-9	20.4	518	35.3	895	10.1	256.0	6.7	170.1	124	56	3	182/4TC	3	8.12-7.34/3.67
MVI 20-10	21.5	546	36.4	923	10.1	256.0	6.7	170.1	125	57	3	182/4TC	3	8.12-7.34/3.67
MVI 20-11	22.5	572	38.9	989	10.1	256.0	6.7	170.1	141	64	5	182/4TC	3	13.1-11.8/5.90
MVI 20-12	23.6	599	40.0	1017	10.1	256.0	6.7	170.1	142	65	5	182/4TC	3	13.1-11.8/5.90
MVI 20-13	24.7	627	41.1	1044	10.1	256.0	6.7	170.1	143	65	5	182/4TC	3	13.1-11.8/5.90
MVI 20-14	25.7	653	42.1	1070	10.1	256.0	6.7	170.1	144	65	5	182/4TC	3	13.1-11.8/5.90
MVI 20-15	26.8	681	43.2	1098	10.1	256.0	6.7	170.1	146	66	5	182/4TC	3	13.1-11.8/5.90
MVI 20-16	27.9	709	44.3	1126	10.1	256.0	6.7	170.1	147	67	5	182/4TC	3	13.1-11.8/5.90
MVI 20-18	30.6	777	49.5	1257	11.0	278.5	8.0	202.5	207	94	7.5	213/5TC	3	19.2-17.3/8.67
MVI 20-20	32.7	831	51.6	1311	11.0	278.5	8.0	202.5	210	95	7.5	213/5TC	3	19.2-17.3/8.67
MVI 20-22	34.8	884	53.7	1364	11.0	278.5	8.0	202.5	212	96	7.5	213/5TC	3	19.2-17.3/8.67
MVI 20-24	36.9	937	55.8	1417	11.0	278.5	8.0	202.5	214	97	7.5	213/5TC	3	19.2-17.3/8.67

Submittal Data Sheet

Scot MVI – Vertical Multistage Pumps



A WILO BRAND

Dimensions, Weights & Electrical Data


Dimensions and Weights											TEFC Motor Data			
Model	H ₁		H ₂		D ₁		D ₂		Weight		P2	Frame	Phase	575V FLA
	in	mm	in	(mm)	in	(mm)	in	(mm)	lbs	kg	[HP]		[-]	[A]
MVI 20-2	12.0	305	21.5	546	7.6	194	5.9	149	54	24	0.75	56C	3	0.904
MVI 20-3	13.1	333	22.2	563	6.7	170	5.5	140	57	26	1	W56C	3	1.2
MVI 20-4	14.1	358	25.2	639	7.6	194	5.9	149	69	31	1.5	56C	3	1.5
MVI 20-5	15.2	386	26.3	667	7.6	194	5.9	149	70	32	1.5	56C	3	1.5
MVI 20-6	16.3	414	28.1	715	7.6	194	5.9	149	78	36	2	56C	3	1.98
MVI 20-7	17.4	442	29.2	743	7.6	194	5.9	149	79	36	2	56C	3	1.98
MVI 20-8	19.4	493	32.4	823	8.9	226	7.6	192	138	63	3	182/4TC	3	2.9
MVI 20-9	20.4	518	33.4	849	8.9	226	7.6	192	140	64	3	182/4TC	3	2.9
MVI 20-10	21.5	546	34.5	877	8.9	226	7.6	192	141	64	3	182/4TC	3	2.9
MVI 20-11	22.5	572	37.0	939	8.9	226	7.6	192	145	66	5	184TC	3	4.72
MVI 20-12	23.6	599	38.1	967	8.9	226	7.6	192	146	66	5	184TC	3	4.72
MVI 20-13	24.7	627	39.2	995	8.9	226	7.6	192	147	67	5	184TC	3	4.72
MVI 20-14	25.7	653	40.2	1020	8.9	226	7.6	192	148	67	5	184TC	3	4.72
MVI 20-15	26.8	681	41.3	1048	8.9	226	7.6	192	150	68	5	184TC	3	4.72
MVI 20-16	27.9	709	42.4	1076	8.9	226	7.6	192	151	69	5	184TC	3	4.72
MVI 20-18	30.6	777	47.2	1200	11.0	279	8.0	203	207	94	7.5	213/5TC	3	6.94
MVI 20-20	32.7	831	49.3	1253	11.0	279	8.0	203	210	95	7.5	213/5TC	3	6.94
MVI 20-22	34.8	884	51.4	1307	11.0	279	8.0	203	212	96	7.5	213/5TC	3	6.94
MVI 20-24	36.9	937	53.5	1360	11.0	279	8.0	203	214	97	7.5	213/5TC	3	6.94

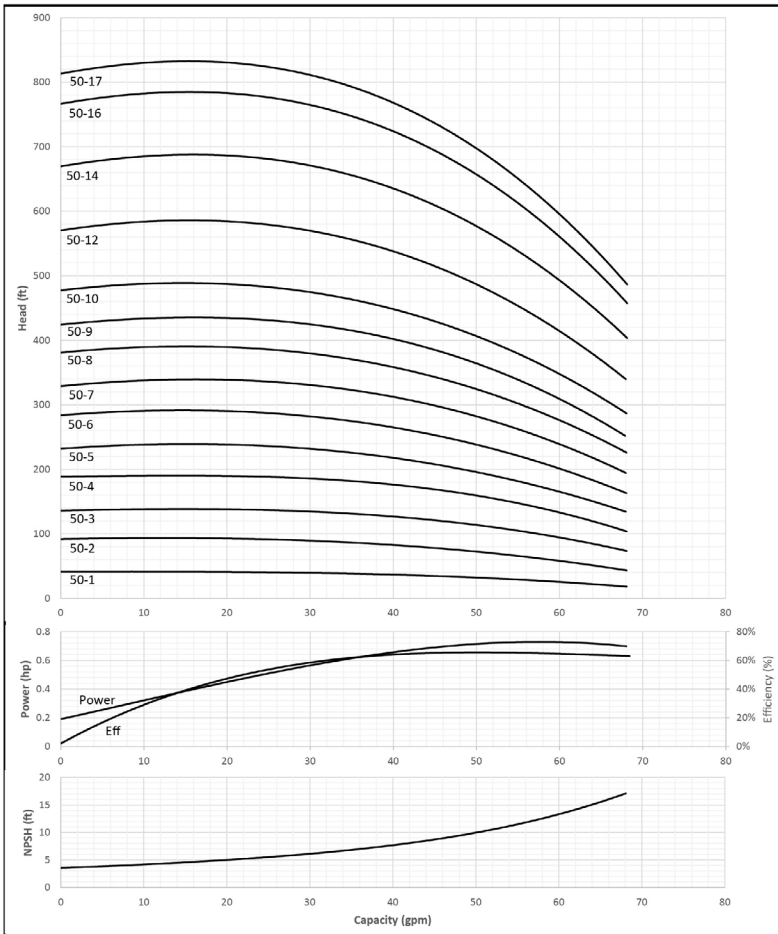
Submittal Data Sheet

MVI - Vertical Multistage Pumps



A WILO BRAND

MVI 50								
		Project:						
		Engineer:						
		Contractor:						
		Submitted By:				Date:		
		Approved By:				Date:		
Tag #	Model #	Flow	Head	HP	Cycle	Phase	Voltage	RPM
					60HZ			



Applications

- Water supply & pressure boosting
- Industrial circulation systems
- Cooling water circulation systems
- Process water
- Washing systems
- Irrigation

Materials of Construction

	AISI 304 Stainless Steel Model	AISI 316 stainless steel Model
Pump Volute, Impeller, Outer Sleeve, Cover, Seal Chamber	AISI 304 stainless steel	AISI 316 stainless steel
Shaft	AISI 431 stainless steel	AISI 316 stainless steel
Pedestal	ASTM 65-45-12 Cast Iron	
Flanges	ASTM 65-45-12 Cast Iron	
Baseplate	ASTM 25B Cast Iron	
O-ring	EPDM or Viton (depending on model)	

Technical Data

Certification	NSF/ANSI 61 & 372 Certified
Liquid Temp Range	5 °F to 248 °F; determined by liquid type
Power Supply	1-115/208-230/460V, 3-208-230/460V, 3-575V
Ambient temperature	32 °F to 104 °F
Flange Connection	2" ANSI CLASS 300
Max Operating Pressure	232 PSI for MVI 50-1 - MVI 50-10 363 PSI for MVI 50-12 - MVI 50-17
Protection Class	IP 55

Approval Stamp

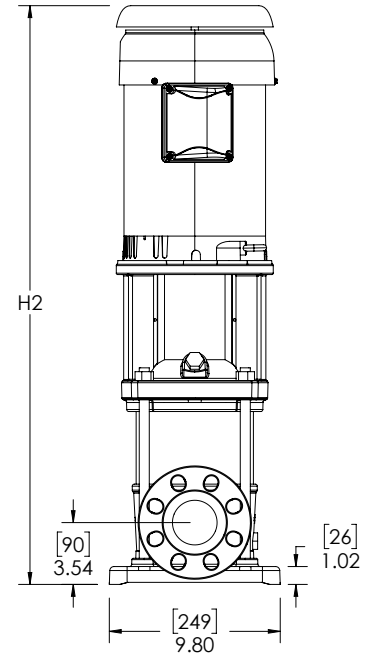
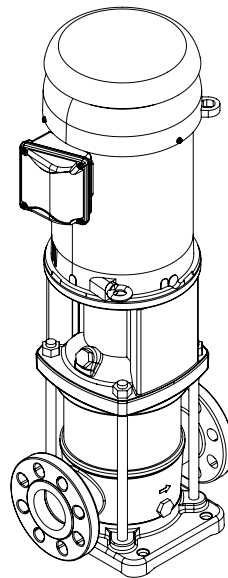
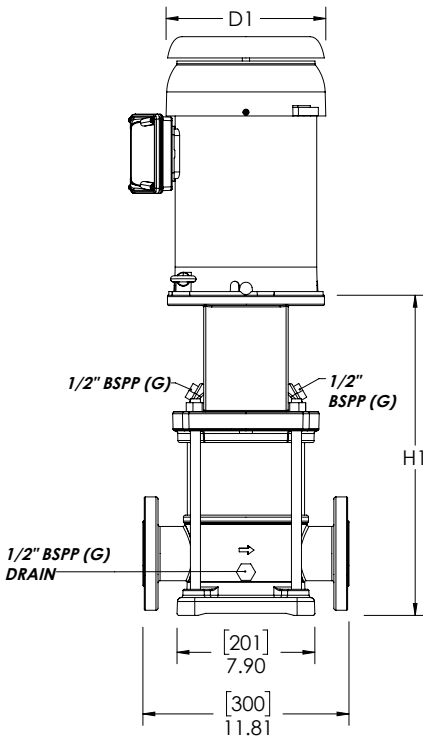
Submittal Data Sheet

MVI - Vertical Multistage Pumps



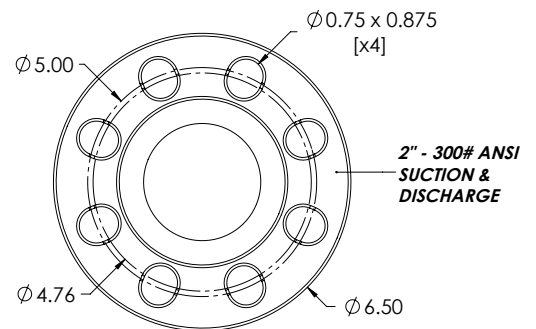
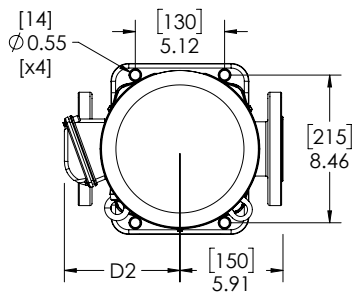
A WILO BRAND

Dimensions, Weights & Electrical Data



note:
 Direction of flow
 is from left to right
 when viewing the
 drain port.

Refer to the flow arrow
 on the pump volute.



Submittal Data Sheet

Scot MVI – Vertical Multistage Pumps



A WILO BRAND

Dimensions, Weights & Electrical Data

Dimensions and Weights										
Model	H ₁		H ₂		D ₁		D ₂		Weight	
	Dimensions-inches (mm)									
	in	mm	in	(mm)	in	(mm)	in	(mm)	lbs	kg
MVI 50-1	15.0	380	25.6	650	7.6	194.0	5.9	149.0	89	40
MVI 50-2	15.0	380	26.8	681	7.6	194.0	5.9	149.0	95	43
MVI 50-3	17.2	436	30.8	783	8.6	218.4	6.9	174.5	157	71
MVI 50-4	18.4	466	32.0	813	8.6	218.4	6.9	174.5	160	73

TEFC Motor Data			
115/208-230			
P2	Frame	Phase	FLA
[HP]		[-]	[A]
0.75	56C	1	8.0/4.42-4.0
1.5	56C	1	13.2/7.3-6.6
3	182TC	1	29/15-14.5
3	182TC	1	29/15-14.5

Dimensions and Weights										
Model	H ₁		H ₂		D ₁		D ₂		Weight	
	Dimensions-inches (mm)									
	in	mm	in	(mm)	in	(mm)	in	(mm)	lbs	kg
MVI 50-1	15.0	380	24.4	621	7.6	194.0	5.9	149.4	80	36
MVI 50-2	15.0	380	26.0	661	7.6	194.0	5.9	149.4	93	42
MVI 50-3	17.2	436	32.0	813	10.1	256.0	6.7	170.1	160	73
MVI 50-4	18.4	466	33.2	843	10.1	256.0	6.7	170.1	163	74
MVI 50-5	19.5	496	36.0	913	10.1	256.0	6.7	170.1	180	82
MVI 50-6	20.7	526	37.1	943	10.1	256.0	6.7	170.1	182	83
MVI 50-7	21.3	540	37.7	957	10.1	256.0	6.7	170.1	184	84
MVI 50-8	23.6	600	42.5	1080	11.0	278.5	8.0	202.5	247	112
MVI 50-9	24.8	630	43.7	1110	11.0	278.5	8.0	202.5	249	113
MVI 50-10	26.0	660	44.9	1140	11.0	278.5	8.0	202.5	251	114
MVI 50-12	28.3	720	48.7	1238	11.0	278.5	8.0	202.5	280	127
MVI 50-14	30.0	762	50.4	1280	11.0	278.5	8.0	202.5	285	129
MVI 50-16	35.7	907	56.2	1428	13.2	334.8	9.4	240.0	322	146
MVI 50-17	36.9	937	57.4	1459	13.2	334.8	9.4	240.0	325	147

TEFC Motor Data			
208-230/460 V			
P2	Frame	Phase	FLA
[HP]		[-]	[A]
0.75	56C	3	2.50-2.26/1.13
1.5	56C	3	4.13-3.74/1.87
3	182/4TC	3	8.12-7.34/3.67
3	182/4TC	3	8.12-7.34/3.67
5	182/4TC	3	13.1-11.8/5.90
5	182/4TC	3	13.1-11.8/5.90
5	182/4TC	3	13.1-11.8/5.90
7.5	213/5TC	3	19.2-17.3/8.67
7.5	213/5TC	3	19.2-17.3/8.67
7.5	213/5TC	3	19.2-17.3/8.67
10	213/5TC	3	25.4-23.0/11.5
10	213/5TC	3	25.4-23.0/11.5
15	254/6TC	3	38.5-34.8/17.4
15	254/6TC	3	38.5-34.8/17.4

Dimensions and Weights										
Model	H ₁		H ₂		D ₁		D ₂		Weight	
	Dimensions-inches (mm)									
	in	mm	in	(mm)	in	(mm)	in	(mm)	lbs	kg
MVI 50-1	15.0	380	24.4	621	7.6	194	5.9	149	81	37
MVI 50-2	15.0	380	26.0	661	7.6	194	5.9	149	93	42
MVI 50-3	17.2	436	30.2	766	8.9	226	7.6	192	176	80
MVI 50-4	18.4	466	31.4	797	8.9	226	7.6	192	179	81
MVI 50-5	19.5	496	34.0	863	8.9	226	7.6	192	184	84
MVI 50-6	20.7	526	35.2	893	8.9	226	7.6	192	186	85
MVI 50-7	21.3	540	35.7	907	8.9	226	7.6	192	188	85
MVI 50-8	23.6	600	40.3	1023	11.0	279	8.0	203	247	112
MVI 50-9	24.8	630	41.4	1053	11.0	279	8.0	203	249	113
MVI 50-10	26.0	660	42.6	1083	11.0	279	8.0	203	251	114
MVI 50-12	28.3	720	46.5	1182	11.0	279	8.0	203	284	129
MVI 50-14	30.0	762	48.2	1224	11.0	279	8.0	203	289	131
MVI 50-16	35.7	907	53.9	1369	11.0	279	8.0	203	303	138
MVI 50-17	36.9	937	55.1	1399	11.0	279	8.0	203	306	139


TEFC Motor Data			
575V			
P2	Frame	Phase	FLA
[HP]		[-]	[A]
0.75	56C	3	0.904
1.5	56C	3	1.5
3	182/4TC	3	2.9
3	182/4TC	3	2.9
5	184TC	3	4.72
5	184TC	3	4.72
5	184TC	3	4.72
7.5	213/5TC	3	6.94
7.5	213/5TC	3	6.94
7.5	213/5TC	3	6.94
10	213/5TC	3	9.2
10	213/5TC	3	9.2
15	254/6TC	3	9.2
15	254/6TC	3	9.2

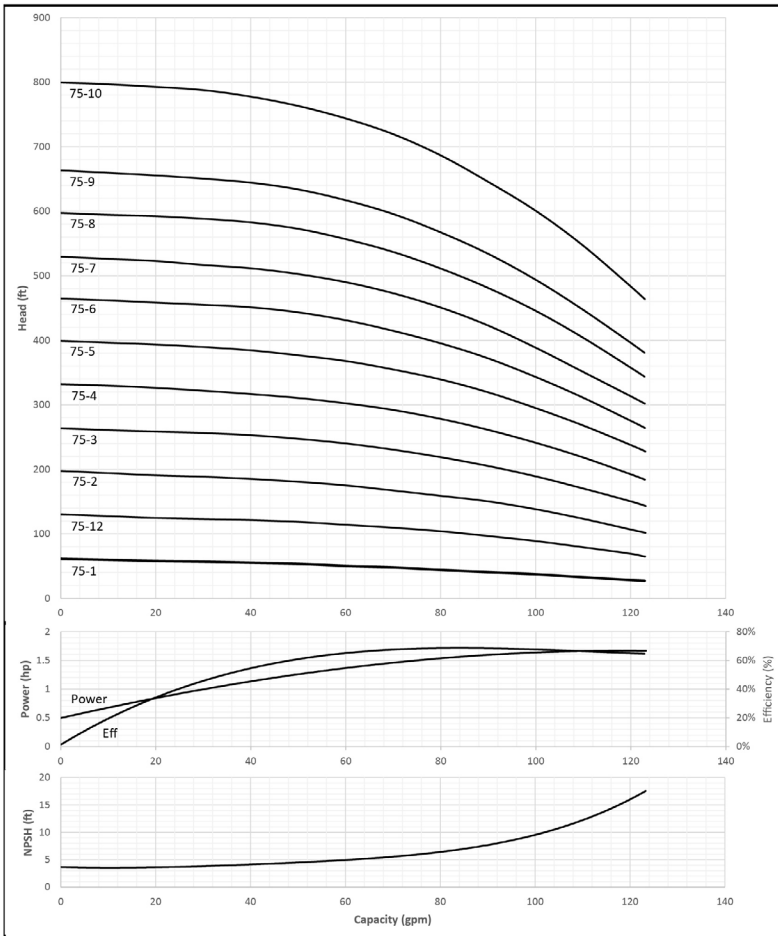
Submittal Data Sheet

MVI - Vertical Multistage Pumps



A WILO BRAND

MVI 75								
		Project:						
		Engineer:						
		Contractor:						
		Submitted By:				Date:		
		Approved By:				Date:		
Tag #	Model #	Flow	Head	HP	Cycle	Phase	Voltage	RPM
					60HZ			



Applications

- Water supply & pressure boosting
- Industrial circulation systems
- Cooling water circulation systems
- Process water
- Washing systems
- Irrigation

Materials of Construction

	AISI 304 Stainless Steel Model	AISI 316 stainless steel Model
Pump Volute, Impeller, Outer Sleeve, Cover, Seal Chamber	AISI 304 stainless steel	AISI 316 stainless steel
Shaft	AISI 431 stainless steel	AISI 316 stainless steel
Pedestal	ASTM 65-45-12 Cast Iron	
Flanges	ASTM 65-45-12 Cast Iron	
Baseplate	ASTM 25B Cast Iron	
O-ring	EPDM or Viton (depending on model)	

Technical Data

Certification	NSF/ANSI 61 & 372 Certified
Liquid Temp Range	5 °F to 248 °F; determined by liquid type
Power Supply	1~115/208-230/460V, 3~208-230/460V, 3~575V
Ambient temperature	32 °F to 104 °F
Flange Connection	2" ANSI CLASS 300
Max Operating Pressure	232 PSI for MVI 75-1 – MVI 75-8 363 PSI for MVI 75-9 – MVI 75-12
Protection Class	IP 55

Approval Stamp

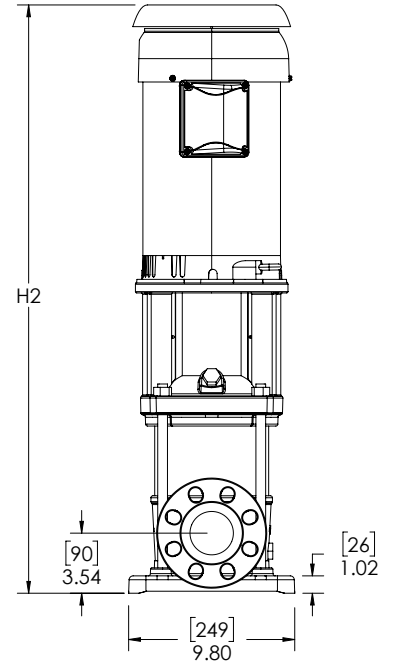
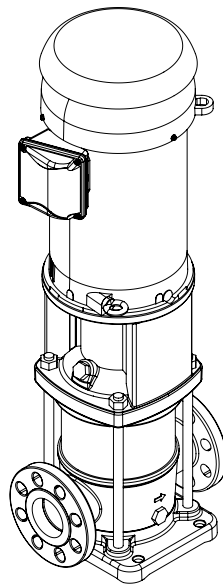
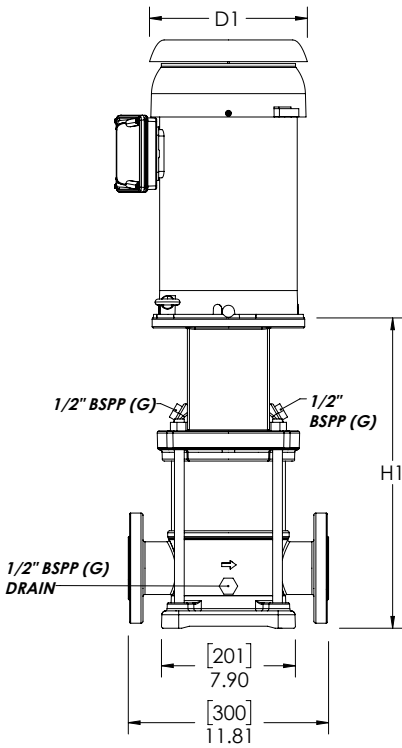
Submittal Data Sheet

MVI - Vertical Multistage Pumps



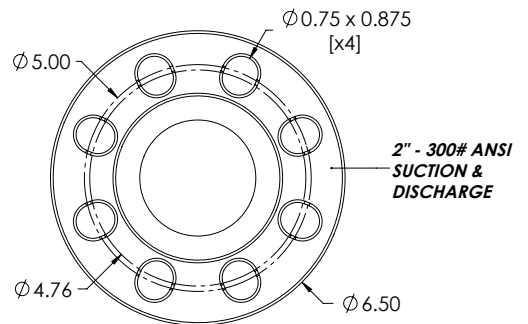
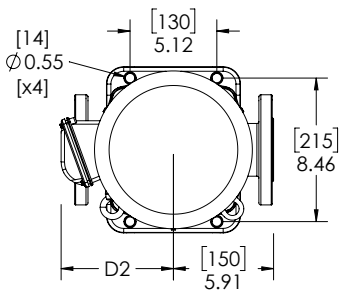
A WILO BRAND

Dimensions, Weights & Electrical Data



note:
Direction of flow
is from left to right
when viewing the
drain port.

Refer to the flow arrow
on the pump volute.



Submittal Data Sheet

Scot MVI – Vertical Multistage Pumps



A WILO BRAND

Dimensions, Weights & Electrical Data

Dimensions and Weights

Model	H ₁		H ₂		D ₁		D ₂		Weight	
	in	mm	in	(mm)	in	(mm)	in	(mm)	lbs	kg
	Dimensions—inches (mm)									
MVI 75-1	16.1	409	28.3	720	7.6	194.0	5.9	149.0	101	46

TEFC Motor Data

115/208-230			
P2	Frame	Phase	FLA
[HP]		[~]	[A]
2	56C	1	17.5/9.62-8.73

Dimensions and Weights

Model	H ₁		H ₂		D ₁		D ₂		Weight	
	in	mm	in	(mm)	in	(mm)	in	(mm)	lbs	kg
	Dimensions—inches (mm)									
MVI 75-1	16.1	409	27.9	710	7.6	194.0	5.9	149.4	100	45
MVI 75-2	17.1	435	33.6	852	10.1	256.0	6.7	170.1	175	79
MVI 75-3	18.3	465	34.7	882	10.1	256.0	6.7	170.1	178	81
MVI 75-4	21.2	539	40.1	1019	11.0	278.5	8.0	202.5	241	109
MVI 75-5	23.0	584	43.4	1102	11.0	278.5	8.0	202.5	269	122
MVI 75-6	24.1	611	44.5	1130	11.0	278.5	8.0	202.5	272	123
MVI 75-7	29.2	741	49.7	1262	13.2	334.8	9.4	240.0	308	140
MVI 75-8	30.9	786	51.5	1307	13.2	334.8	9.4	240.0	311	141
MVI 75-9	32.7	831	53.2	1352	13.2	334.8	9.4	240.0	315	143
MVI 75-10	34.5	876	55.9	1420	13.2	334.8	9.4	240.0	359	163
MVI 75-12	37.3	946	61.3	1558	14.2	360.0	11.1	281.5	517	235

TEFC Motor Data

208-230/460 V			
P2	Frame	Phase	FLA
[HP]		[~]	[A]
2	56C	3	5.46-4.94/2.47
5	182/4TC	3	13.1-11.8/5.90
5	182/4TC	3	13.1-11.8/5.90
7.5	213/5TC	3	19.2-17.3/8.67
10	213/5TC	3	25.4-23.0/11.5
10	213/5TC	3	25.4-23.0/11.5
15	254/6TC	3	38.5-34.8/17.4
15	254/6TC	3	38.5-34.8/17.4
15	254/6TC	3	38.5-34.8/17.4
20	254/6TC	3	50.2-45.4/22.7
25	284TSC	3	63.0-57.6/28.8

Dimensions and Weights

Model	H ₁		H ₂		D ₁		D ₂		Weight	
	in	mm	in	(mm)	in	(mm)	in	(mm)	lbs	kg
	Dimensions—inches (mm)									
MVI 75-1	16.1	409	27.9	710	7.6	194	5.9	149	101	46
MVI 75-2	17.1	435	31.6	802	8.9	226	7.6	192	179	81
MVI 75-3	18.3	465	32.8	832	8.9	226	7.6	192	182	83
MVI 75-4	21.2	539	37.9	962	11.0	279	8.0	203	241	109
MVI 75-5	23.0	584	41.2	1046	11.0	279	8.0	203	273	124
MVI 75-6	24.1	611	42.3	1073	11.0	279	8.0	203	276	125
MVI 75-7	29.2	741	47.4	1203	11.0	279	8.0	203	289	131
MVI 75-8	30.9	786	49.1	1248	11.0	279	8.0	203	292	133
MVI 75-9	32.7	831	50.9	1293	11.0	279	8.0	203	296	134
MVI 75-10	34.5	876	53.8	1366	13.2	335	9.4	240	360	163
MVI 75-12	37.3	946	60.6	1538	14.2	360	11.1	282	528	240

TEFC Motor Data


575V			
P2	Frame	Phase	FLA
[HP]		[~]	[A]
2	56C	3	1.98
5	184TC	3	4.72
5	184TC	3	4.72
7.5	213/5TC	3	6.94
10	213/5TC	3	9.2
10	213/5TC	3	9.2
15	254/6TC	3	9.2
15	254/6TC	3	9.2
15	254/6TC	3	9.2
20	254/6TC	3	18.2
25	284/6TSC	3	23

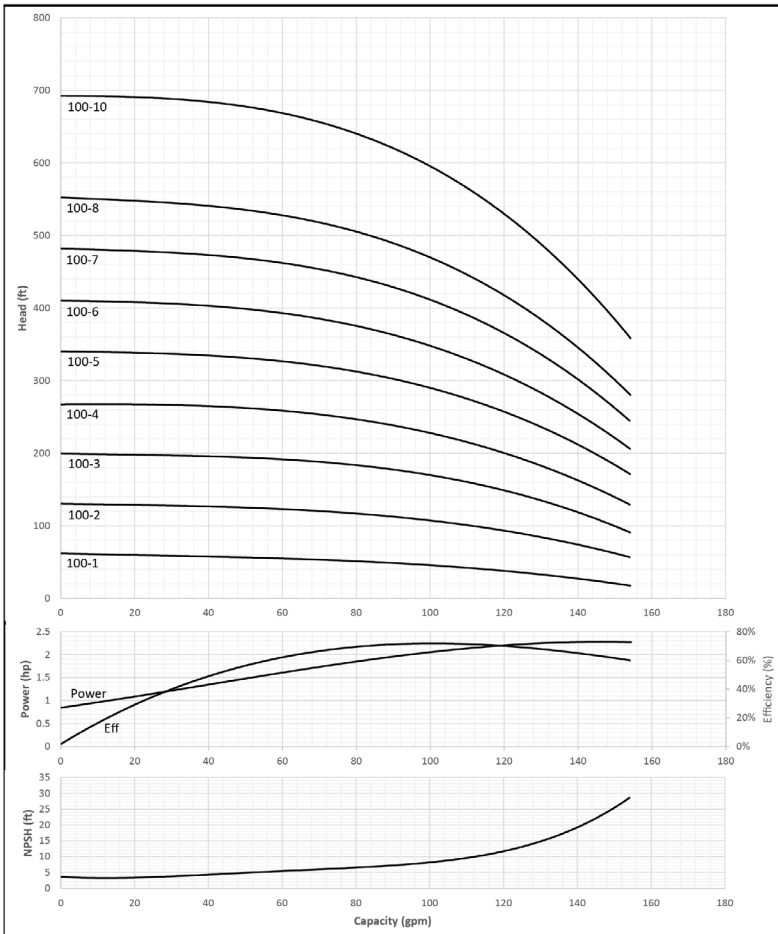
Submittal Data Sheet

MVI - Vertical Multistage Pumps



A WILO BRAND

MVI 100								
		Project:						
		Engineer:						
		Contractor:						
		Submitted By:				Date:		
		Approved By:				Date:		
Tag #	Model #	Flow	Head	HP	Cycle	Phase	Voltage	RPM
					60HZ			



Applications

- Water supply & pressure boosting
- Industrial circulation systems
- Cooling water circulation systems
- Process water
- Washing systems
- Irrigation

Materials of Construction

	AISI 304 Stainless Steel Model	AISI 316 stainless steel Model
Pump Volute, Impeller, Outer Sleeve, Cover, Seal Chamber	AISI 304 stainless steel	AISI 316 stainless steel
Shaft	AISI 431 stainless steel	AISI 316 stainless steel
Pedestal	ASTM 65-45-12 Cast Iron	
Flanges	ASTM 65-45-12 Cast Iron	
Baseplate	ASTM 25B Cast Iron	
O-ring	EPDM or Viton (depending on model)	

Technical Data

Certification	NSF/ANSI 61 & 372 Certified
Liquid Temp Range	5 °F to 248 °F; determined by liquid type
Power Supply	1~115/208-230/460V, 3~208-230/460V, 3~575V
Ambient temperature	32 °F to 104 °F
Flange Connection	2" ANSI CLASS 300
Max Operating Pressure	232 PSI for MVI 100-1 - MVI 100-7 363 PSI for MVI 100-8 - MVI 100-10
Protection Class	IP 55

Approval Stamp

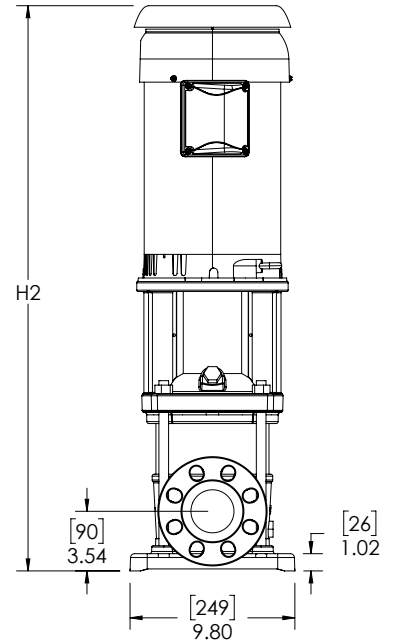
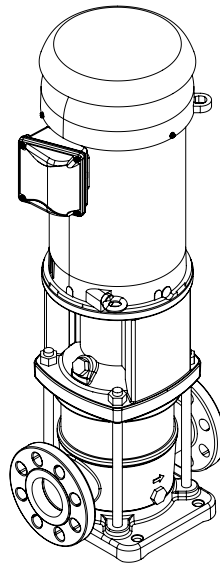
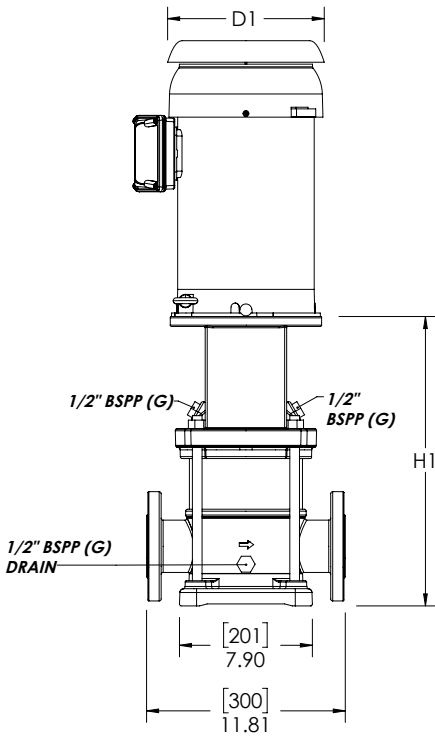
Submittal Data Sheet

MVI - Vertical Multistage Pumps



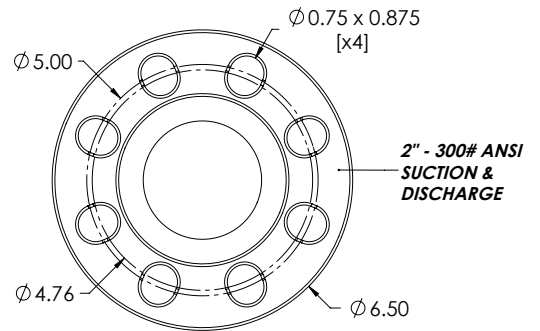
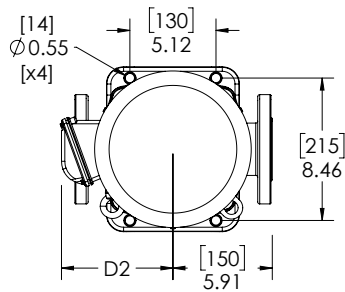
A WILO BRAND

Dimensions, Weights & Electrical Data



note:
 Direction of flow
 is from left to right
 when viewing the
 drain port.

Refer to the flow arrow
 on the pump volute.



Submittal Data Sheet

Scot MVI – Vertical Multistage Pumps



A WILO BRAND

Dimensions, Weights & Electrical Data

Dimensions and Weights

Model	H ₁		H ₂		D ₁		D ₂		Weight	
	Dimensions—inches (mm)									
	in	mm	in	(mm)	in	(mm)	in	(mm)	lbs	kg
MVI 100-1	17.2	437	30.9	784	8.6	218.4	6.9	174.5	156	71

TEFC Motor Data

115/208-230			
P2	Frame	Phase	FLA
[HP]		[~]	[A]
3	182TC	1	29/15-14.5

Dimensions and Weights

Model	H ₁		H ₂		D ₁		D ₂		Weight	
	Dimensions—inches (mm)									
	in	mm	in	(mm)	in	(mm)	in	(mm)	lbs	kg
MVI 100-1	17.2	437	32.0	814	10.1	256.0	6.7	170.1	159	72
MVI 100-2	17.2	437	33.6	854	10.1	256.0	6.7	170.1	175	79
MVI 100-3	19.5	496	38.4	976	11.0	278.5	8.0	202.5	238	108
MVI 100-4	21.3	541	41.7	1059	11.0	278.5	8.0	202.5	266	121
MVI 100-5	25.7	653	46.2	1174	13.2	334.8	9.4	240.0	302	137
MVI 100-6	27.5	697	48.0	1219	13.2	334.8	9.4	240.0	305	138
MVI 100-7	29.2	743	50.7	1287	13.2	334.8	9.4	240.0	349	158
MVI 100-8	31.0	788	52.5	1332	13.2	334.8	9.4	240.0	352	160
MVI 100-10	33.8	859	57.9	1470	14.2	360.0	11.1	281.5	511	232

TEFC Motor Data

208-230/460 V			
P2	Frame	Phase	FLA
[HP]		[~]	[A]
3	182/4TC	3	8.12-7.34/3.67
5	182/4TC	3	13.1-11.8/5.90
7.5	213/5TC	3	19.2-17.3/8.67
10	213/5TC	3	25.4-23.0/11.5
15	254/6TC	3	38.5-34.8/17.4
15	254/6TC	3	38.5-34.8/17.4
20	254/6TC	3	50.2-45.4/22.7
20	254/6TC	3	50.2-45.4/22.7
25	284TSC	3	63.0-57.6/28.8

Dimensions and Weights

Model	H ₁		H ₂		D ₁		D ₂		Weight	
	Dimensions—inches (mm)									
	in	mm	in	(mm)	in	(mm)	in	(mm)	lbs	kg
MVI 100-1	17.2	437	30.2	767	8.9	226	7.6	192	175	80
MVI 100-2	17.2	437	31.7	804	8.9	226	7.6	192	179	81
MVI 100-3	19.5	496	36.2	918	11.0	279	8.0	203	238	108
MVI 100-4	21.3	541	39.5	1003	11.0	279	8.0	203	270	123
MVI 100-5	25.7	653	43.9	1115	11.0	279	8.0	203	283	128
MVI 100-6	27.5	697	45.7	1160	11.0	279	8.0	203	286	130
MVI 100-7	29.2	743	48.5	1233	13.2	335	9.4	240	350	159
MVI 100-8	31.0	788	50.3	1278	13.2	335	9.4	240	353	160
MVI 100-10	33.8	859	57.1	1450	14.2	360	11.1	282	522	237

TEFC Motor Data

575V			
P2	Frame	Phase	FLA
[HP]		[~]	[A]
3	182/4TC	3	2.9
5	184TC	3	4.72
7.5	213/5TC	3	6.94
10	213/5TC	3	9.2
15	254/6TC	3	9.2
15	254/6TC	3	9.2
20	254/6TC	3	18.2
20	254/6TC	3	18.2
25	284/6TSC	3	23

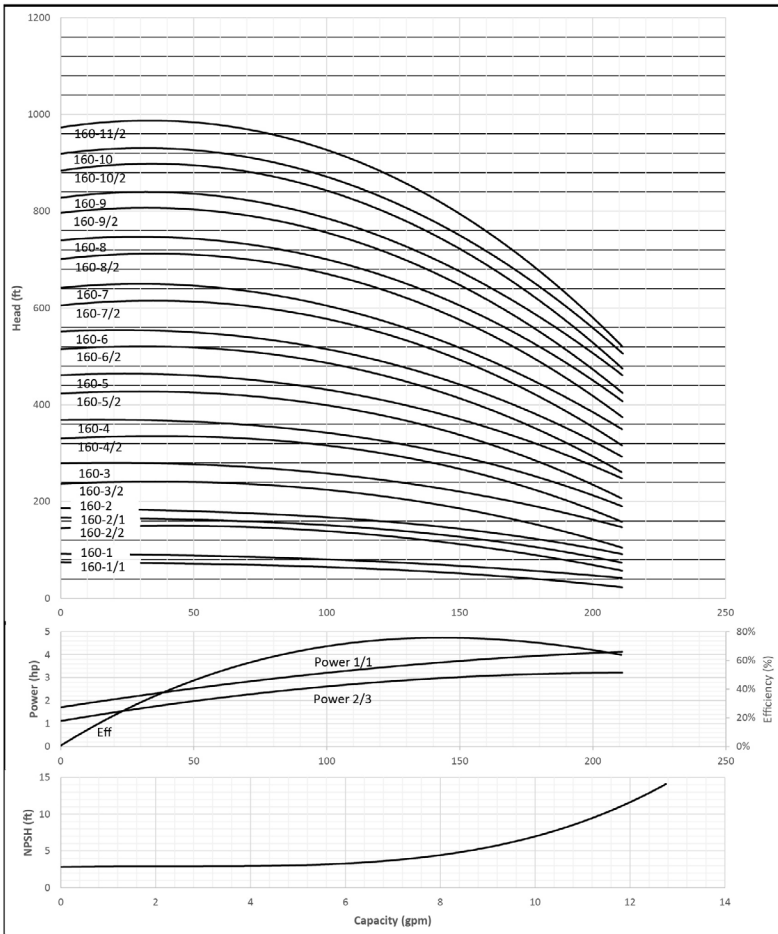
Submittal Data Sheet

MVI - Vertical Multistage Pumps



A WILO BRAND

MVI 160								
		Project:						
		Engineer:						
		Contractor:						
		Submitted By:				Date:		
		Approved By:				Date:		
Tag #	Model #	Flow	Head	HP	Cycle	Phase	Voltage	RPM
					60HZ			



Applications

- Water supply & pressure boosting
- Industrial circulation systems
- Cooling water circulation systems
- Process water
- Washing systems
- Irrigation

Materials of Construction

	AISI 304 Stainless Steel Model	AISI 316 stainless steel Model
Pump Volute, Impeller, Outer Sleeve, Cover, Seal Chamber	AISI 304 stainless steel	AISI 316 stainless steel
Shaft	AISI 431 stainless steel	AISI 316 stainless steel
Pedestal	ASTM 65-45-12 Cast Iron	
Flanges	ASTM 65-45-12 Cast Iron	
Baseplate	ASTM 25B Cast Iron	
O-ring	EPDM or Viton (depending on model)	

Technical Data

Certification	NSF/ANSI 61 & 372 Certified
Liquid Temp Range	5 °F to 248 °F; determined by liquid type
Power Supply	1-115/208-230/460V, 3-208-230/460V, 3-575V
Ambient temperature	32 °F to 104 °F
Flange Connection	2-1/2" ANSI CLASS 150 for MVI 160-1/1 - 160-5 2-1/2" ANSI CLASS 300 for MVI 160-6/2 - 160-11/2
Max Operating Pressure	232 PSI for MVI 160-1/1 - MVI 160-5 435 PSI for MVI 160-6/2 - MVI 160-11/2
Protection Class	IP 55

Approval Stamp

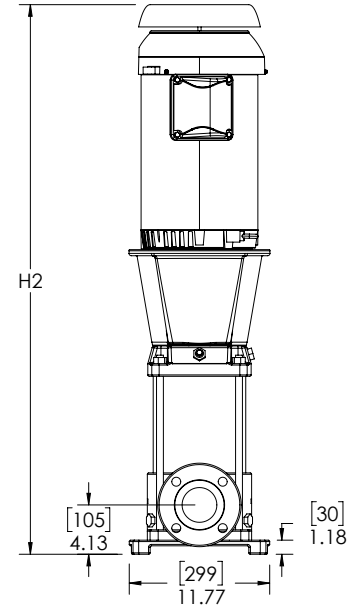
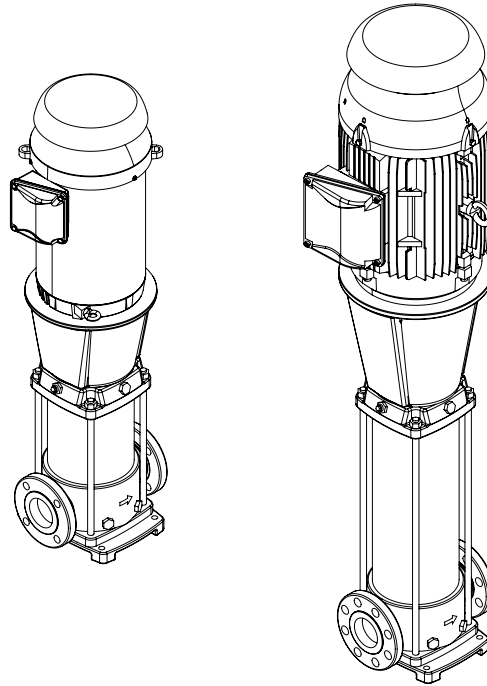
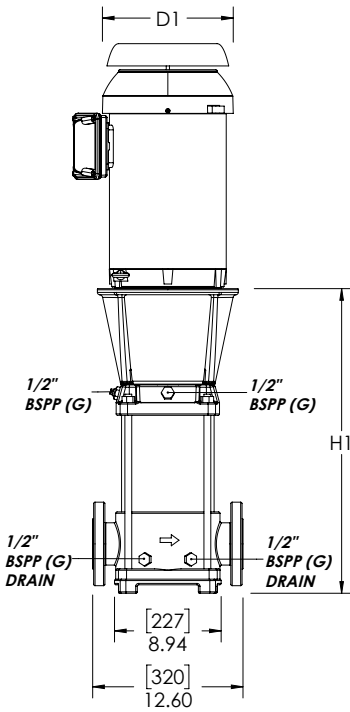
Submittal Data Sheet

MVI - Vertical Multistage Pumps



A WILO BRAND

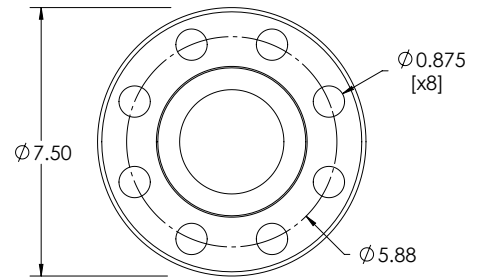
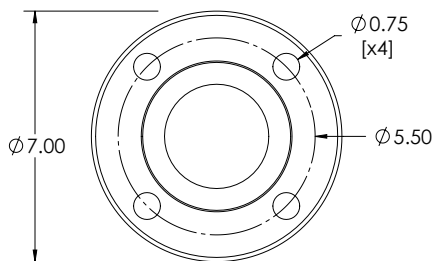
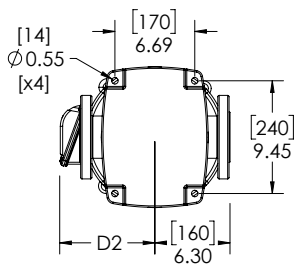
Dimensions, Weights & Electrical Data



note:
Refer to the flow arrow
on the pump volute
for the direction of flow.

MVI 160-1/1 - 160-5
2.5" - 150# ANSI
SUCTION &
DISCHARGE

MVI 160-6/2 - 160-11/2
2.5" - 300# ANSI
SUCTION &
DISCHARGE



Submittal Data Sheet

Scot MVI – Vertical Multistage Pumps



A WILO BRAND

Dimensions, Weights & Electrical Data

Dimensions and Weights											TEFC Motor Data					
		H ₁		H ₂		D ₁		D ₂				115/208-230				
		Dimensions-inches (mm)								Weight		P2	Frame	Phase	FLA	
Model	in	mm	in	(mm)	in	(mm)	in	(mm)	in	(mm)	lbs	kg	[HP]	[~]	[A]	
MVI 160-1/1	20.0	509	33.7	856	8.6	218.4	6.9	174.5	183	83			3	182TC	1	29/15-14.5

Dimensions and Weights											TEFC Motor Data					
		H ₁		H ₂		D ₁		D ₂				208-230/460 V				
		Dimensions-inches (mm)								Weight		P2	Frame	Phase	FLA	
Model	in	mm	in	(mm)	in	(mm)	in	(mm)	in	(mm)	lbs	kg	[HP]	[~]	[A]	
MVI 160-1/1	20.0	509	34.9	886	10.1	256.0	6.7	170.1	186	84			3	182/4TC	3	8.12-7.34/3.67
MVI 160-1	20.0	509	36.4	926	10.1	256.0	6.7	170.1	201	91			5	182/4TC	3	13.1-11.8/5.90
MVI 160-2/2	22.8	579	41.7	1059	11.0	278.5	8.0	202.5	261	118			7.5	213/5TC	3	19.2-17.3/8.67
MVI 160-2/1	22.8	579	41.7	1059	11.0	278.5	8.0	202.5	261	118			7.5	213/5TC	3	19.2-17.3/8.67
MVI 160-2	22.8	579	41.7	1059	11.0	278.5	8.0	202.5	261	118			7.5	213/5TC	3	19.2-17.3/8.67
MVI 160-3/2	25.5	648	45.9	1167	11.0	278.5	8.0	202.5	292	133			10	213/5TC	3	25.4-23.0/11.5
MVI 160-3	29.7	754	50.2	1275	13.2	334.8	9.4	240.0	336	153			15	254/6TC	3	38.5-34.8/17.4
MVI 160-4/2	32.4	823	53.0	1345	13.2	334.8	9.4	240.0	343	156			15	254/6TC	3	38.5-34.8/17.4
MVI 160-4	32.4	823	53.0	1345	13.2	334.8	9.4	240.0	343	156			15	254/6TC	3	38.5-34.8/17.4
MVI 160-5/2	35.2	894	56.6	1438	13.2	334.8	9.4	240.0	391	177			20	254/6TC	3	50.2-45.4/22.7
MVI 160-5	35.2	894	56.6	1438	13.2	334.8	9.4	240.0	391	177			20	254/6TC	3	50.2-45.4/22.7
MVI 160-6/2	37.9	963	62.0	1575	14.2	360.0	11.1	281.5	557	253			25	284TSC	3	63.0-57.6/28.8
MVI 160-6	37.9	963	62.0	1575	14.2	360.0	11.1	281.5	558	253			25	284TSC	3	63.0-57.6/28.8
MVI 160-7/2	40.7	1034	66.3	1683	14.2	360.0	11.1	281.5	584	265			30	286TSC	3	76.7-68.4/34.2
MVI 160-7	40.7	1034	66.3	1683	14.2	360.0	11.1	281.5	584	265			30	286TSC	3	76.7-68.4/34.2
MVI 160-8/2	43.4	1103	69.0	1753	14.2	360.0	11.1	281.5	591	268			30	286TSC	3	76.7-68.4/34.2
MVI 160-8	43.4	1103	70.4	1789	15.8	402.0	12.6	319.5	718	326			40	324TSC	3	101-92.6/46.3
MVI 160-9/2	46.2	1173	73.2	1859	15.8	402.0	12.6	319.5	724	328			40	324TSC	3	101-92.6/46.3
MVI 160-9	46.2	1173	73.2	1859	15.8	402.0	12.6	319.5	724	328			40	324TSC	3	101-92.6/46.3
MVI 160-10/2	49.0	1244	76.0	1929	15.8	402.0	12.6	319.5	730	331			40	324TSC	3	101-92.6/46.3
MVI 160-10	49.0	1244	76.0	1929	15.8	402.0	12.6	319.5	730	331			40	324TSC	3	101-92.6/46.3
MVI 160-11/2	51.7	1313	78.7	1999	15.8	402.0	12.6	319.5	736	334			40	324TSC	3	101-92.6/46.3

Submittal Data Sheet

Scot MVI – Vertical Multistage Pumps



A WILO BRAND

Dimensions, Weights & Electrical Data


Dimensions and Weights											TEFC Motor Data			
Model	H ₁		H ₂		D ₁		D ₂		Weight		P2	Frame	Phase	575V
	in	mm	in	(mm)	in	(mm)	in	(mm)	lbs	kg				FLA
	Dimensions-inches (mm)										[HP]		[~]	[A]
MVI 160-1/1	20.0	509	33.0	839	8.9	226	7.6	192	202	92	3	182/4TC	3	2.9
MVI 160-1	20.0	509	34.5	876	8.9	226	7.6	192	205	93	5	184TC	3	4.72
MVI 160-2/2	22.8	579	39.4	1001	11.0	279	8.0	203	261	118	7.5	213/5TC	3	6.94
MVI 160-2/1	22.8	579	39.4	1001	11.0	279	8.0	203	261	118	7.5	213/5TC	3	6.94
MVI 160-2	22.8	579	39.4	1001	11.0	279	8.0	203	261	118	7.5	213/5TC	3	6.94
MVI 160-3/2	25.5	648	43.7	1110	11.0	279	8.0	203	296	135	10	213/5TC	3	9.2
MVI 160-3	29.7	754	47.9	1216	11.0	279	8.0	203	317	144	15	254/6TC	3	9.2
MVI 160-4/2	32.4	823	50.6	1285	11.0	279	8.0	203	324	147	15	254/6TC	3	9.2
MVI 160-4	32.4	823	50.6	1285	11.0	279	8.0	203	324	147	15	254/6TC	3	9.2
MVI 160-5/2	35.2	894	54.5	1384	13.2	335	9.4	240	392	178	20	254/6TC	3	18.2
MVI 160-5	35.2	894	54.5	1384	13.2	335	9.4	240	392	178	20	254/6TC	3	18.2
MVI 160-6/2	37.9	963	61.2	1555	14.2	360	11.1	282	568	258	25	284/6TSC	3	23
MVI 160-6	37.9	963	61.2	1555	14.2	360	11.1	282	569	258	25	284/6TSC	3	23
MVI 160-7/2	40.7	1034	64.0	1625	14.2	360	11.1	282	594	270	30	284/6TSC	3	27.4
MVI 160-7	40.7	1034	64.0	1625	14.2	360	11.1	282	594	270	30	284/6TSC	3	27.4
MVI 160-8/2	43.4	1103	66.7	1695	14.2	360	11.1	282	601	273	30	284/6TSC	3	27.4
MVI 160-8	43.4	1103	69.3	1760	15.8	402	12.6	320	749	340	40	324/6TSC	3	37
MVI 160-9/2	46.2	1173	72.1	1830	15.8	402	12.6	320	755	343	40	324/6TSC	3	37
MVI 160-9	46.2	1173	72.1	1830	15.8	402	12.6	320	755	343	40	324/6TSC	3	37
MVI 160-10/2	49.0	1244	74.8	1900	15.8	402	12.6	320	761	345	40	324/6TSC	3	37
MVI 160-10	49.0	1244	74.8	1900	15.8	402	12.6	320	761	345	40	324/6TSC	3	37
MVI 160-11/2	51.7	1313	77.6	1970	15.8	402	12.6	320	767	348	40	324/6TSC	3	37

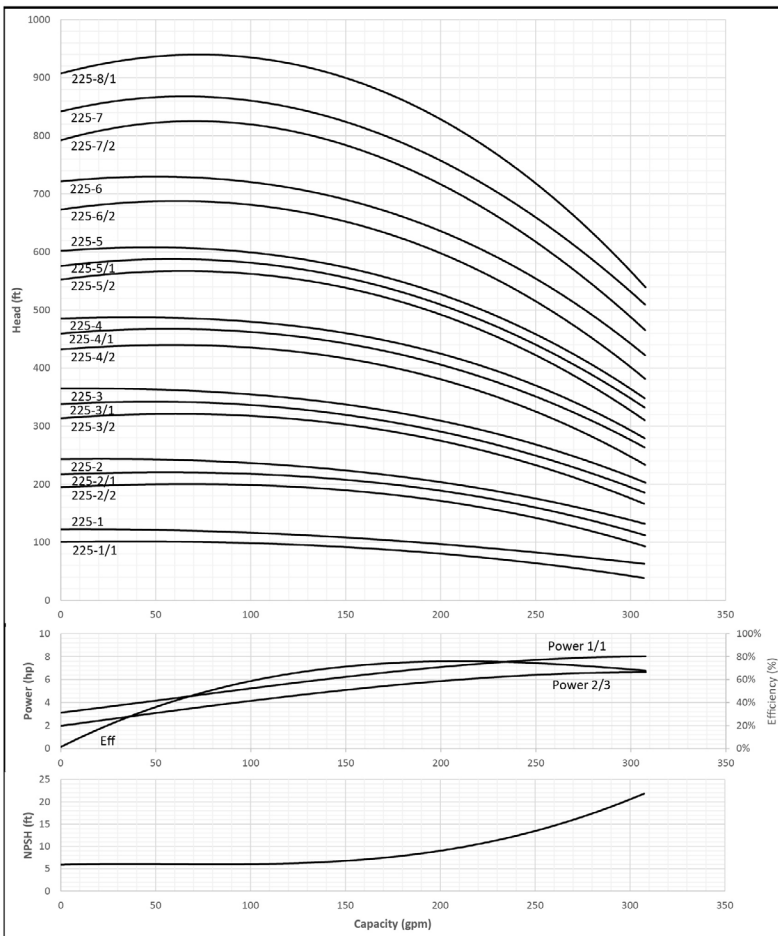
Submittal Data Sheet

MVI - Vertical Multistage Pumps



A WILO BRAND

MVI 225								
		Project:						
		Engineer:						
		Contractor:						
		Submitted By:				Date:		
		Approved By:				Date:		
Tag #	Model #	Flow	Head	HP	Cycle	Phase	Voltage	RPM
					60HZ			



- ### Applications
- Water supply & pressure boosting
 - Industrial circulation systems
 - Cooling water circulation systems
 - Process water
 - Washing systems
 - Irrigation

Materials of Construction

	AISI 304 Stainless Steel Model	AISI 316 stainless steel Model
Pump Volute, Impeller, Outer Sleeve, Cover, Seal Chamber	AISI 304 stainless steel	AISI 316 stainless steel
Shaft	AISI 431 stainless steel	AISI 316 stainless steel
Pedestal	ASTM 65-45-12 Cast Iron	
Flanges	ASTM 65-45-12 Cast Iron	
Baseplate	ASTM 25B Cast Iron	
O-ring	EPDM or Viton (depending on model)	

Technical Data

Certification	NSF/ANSI 61 & 372 Certified
Liquid Temp Range	5 °F to 248 °F; determined by liquid type
Power Supply	1-115/208-230/460V, 3-208-230/460V, 3-575V
Ambient temperature	32 °F to 104 °F
Flange Connection	3" ANSI CLASS 150 for MVI 225-1/1 - 225-4/2 3" ANSI CLASS 300 for MVI 225-4/1 - 225-8/1
Max Operating Pressure	232 PSI for MVI 225-1/1 - MVI 225-4/2 435 PSI for MVI 225-4/1 - MVI 225-8/1
Protection Class	IP 55

Approval Stamp

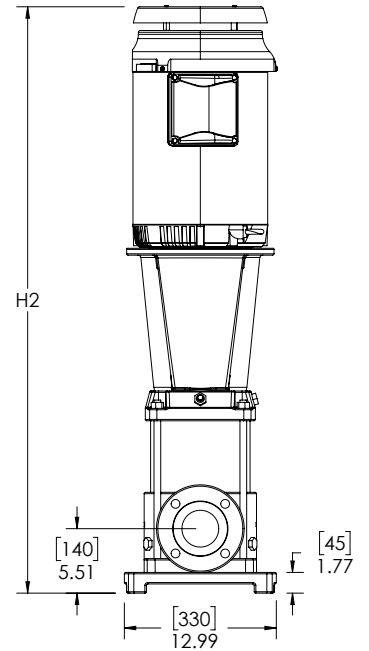
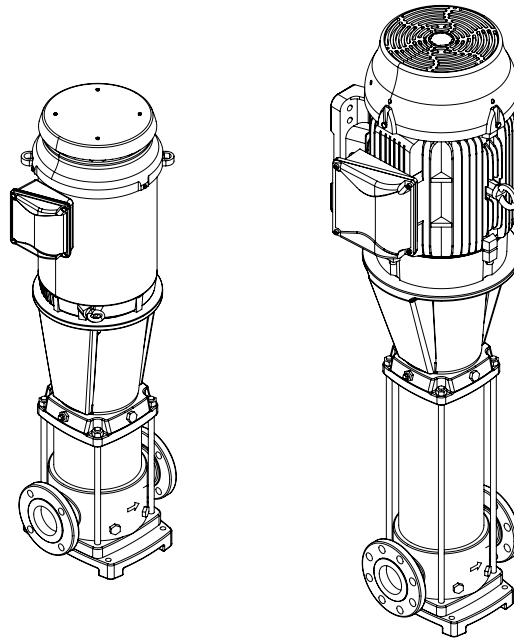
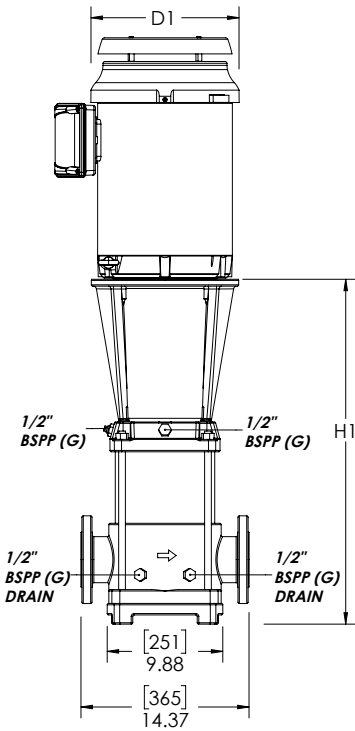
Submittal Data Sheet

MVI - Vertical Multistage Pumps



A WILO BRAND

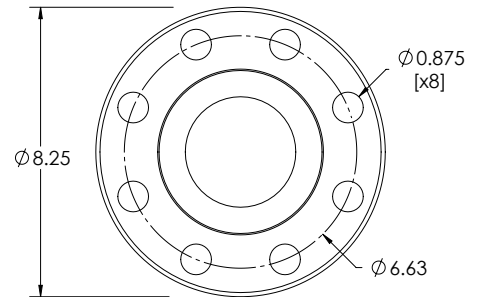
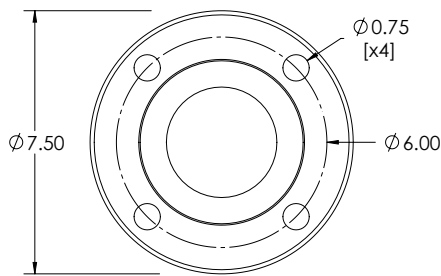
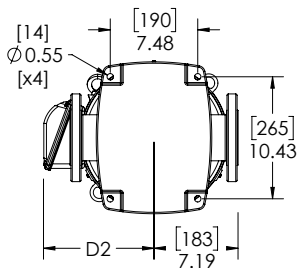
Dimensions, Weights & Electrical Data



note:
Refer to the flow arrow
on the pump volute
for the direction of flow.

MVI 225-1/1 - 225-4/2
3" - 150# ANSI
SUCTION &
DISCHARGE

MVI 225-4/1 - 225-8/1
3" - 300# ANSI
SUCTION &
DISCHARGE



Submittal Data Sheet

Scot MVI – Vertical Multistage Pumps



A WILO BRAND

Dimensions, Weights & Electrical Data

Dimensions and Weights											TEFC Motor Data			
Model	H ₁		H ₂		D ₁		D ₂		Weight		208-230/460 V			
	Dimensions-inches (mm)										P2	Frame	Phase	FLA
	in	mm	in	(mm)	in	(mm)	in	(mm)	lbs	kg	[HP]	[~]	[A]	
MVI 225-1/1	22.2	564	41.1	1044	11.0	278.5	8.0	202.5	269	122	7.5	213/5TC	3	19.2-17.3/8.67
MVI 225-1	22.2	564	41.1	1044	11.0	278.5	8.0	202.5	269	122	7.5	213/5TC	3	19.2-17.3/8.67
MVI 225-2/2	29.5	749	50.0	1271	13.2	334.8	9.4	240.0	346	157	15	254/6TC	3	38.5-34.8/17.4
MVI 225-2/1	29.5	749	50.0	1271	13.2	334.8	9.4	240.0	346	157	15	254/6TC	3	38.5-34.8/17.4
MVI 225-2	29.5	749	50.0	1271	13.2	334.8	9.4	240.0	346	157	15	254/6TC	3	38.5-34.8/17.4
MVI 225-3/2	32.6	829	54.1	1374	13.2	334.8	9.4	240.0	395	179	20	254/6TC	3	50.2-45.4/22.7
MVI 225-3/1	32.6	829	56.7	1441	14.2	360.0	11.1	281.5	555	252	25	284TSC	3	63.0-57.6/28.8
MVI 225-3	32.6	829	56.7	1441	14.2	360.0	11.1	281.5	555	252	25	284TSC	3	63.0-57.6/28.8
MVI 225-4/2	35.8	909	61.4	1559	14.2	360.0	11.1	281.5	583	265	30	286TSC	3	76.7-68.4/34.2
MVI 225-4/1	35.8	909	61.4	1559	14.2	360.0	11.1	281.5	583	265	30	286TSC	3	76.7-68.4/34.2
MVI 225-4	35.8	909	61.4	1559	14.2	360.0	11.1	281.5	583	265	30	286TSC	3	76.7-68.4/34.2
MVI 225-5/2	38.9	989	65.9	1675	15.8	402.0	12.6	319.5	718	326	40	324TSC	3	101-92.6/46.3
MVI 225-5/1	38.9	989	65.9	1675	15.8	402.0	12.6	319.5	718	326	40	324TSC	3	101-92.6/46.3
MVI 225-5	38.9	989	65.9	1675	15.8	402.0	12.6	319.5	718	326	40	324TSC	3	101-92.6/46.3
MVI 225-6/2	42.1	1069	67.9	1726	15.8	402.0	12.6	319.5	806	365	50	324/6TSC	3	124-112/56.1
MVI 225-6	42.1	1069	67.9	1726	15.8	402.0	12.6	319.5	806	365	50	324/6TSC	3	124-112/56.1
MVI 225-7/2	45.2	1149	71.1	1806	15.8	402.0	12.6	319.5	814	369	50	324/6TSC	3	124-112/56.1
MVI 225-7	45.2	1149	73.8	1875	17.9	454.9	16.0	407.0	1094	496	60	364/5TSC	3	148-134/67.0
MVI 225-8/1	48.4	1229	77.0	1955	17.9	454.9	16.0	407.0	1101	499	60	364/5TSC	3	148-134/67.0

Dimensions and Weights											TEFC Motor Data			
Model	H ₁		H ₂		D ₁		D ₂		Weight		575V			
	Dimensions-inches (mm)										P2	Frame	Phase	FLA
	in	mm	in	(mm)	in	(mm)	in	(mm)	lbs	kg	[HP]	[~]	[A]	
MVI 225-1/1	22.2	564	38.8	987	11.0	279	8.0	203	269	122	7.5	213/5TC	3	6.94
MVI 225-1	22.2	564	38.8	987	11.0	279	8.0	203	269	122	7.5	213/5TC	3	6.94
MVI 225-2/2	29.5	749	47.7	1211	11.0	279	8.0	203	327	148	15	254/6TC	3	9.2
MVI 225-2/1	29.5	749	47.7	1211	11.0	279	8.0	203	327	148	15	254/6TC	3	9.2
MVI 225-2	29.5	749	47.7	1211	11.0	279	8.0	203	327	148	15	254/6TC	3	9.2
MVI 225-3/2	32.6	829	51.9	1319	13.2	335	9.4	240	396	180	20	254/6TC	3	18.2
MVI 225-3/1	32.6	829	55.9	1421	14.2	360	11.1	282	566	257	25	284/6TSC	3	23
MVI 225-3	32.6	829	55.9	1421	14.2	360	11.1	282	566	257	25	284/6TSC	3	23
MVI 225-4/2	35.8	909	59.1	1501	14.2	360	11.1	282	593	269	30	284/6TSC	3	27.4
MVI 225-4/1	35.8	909	59.1	1501	14.2	360	11.1	282	593	269	30	284/6TSC	3	27.4
MVI 225-4	35.8	909	59.1	1501	14.2	360	11.1	282	593	269	30	284/6TSC	3	27.4
MVI 225-5/2	38.9	989	64.8	1646	15.8	402	12.6	320	749	340	40	324/6TSC	3	37
MVI 225-5/1	38.9	989	64.8	1646	15.8	402	12.6	320	749	340	40	324/6TSC	3	37
MVI 225-5	38.9	989	64.8	1646	15.8	402	12.6	320	749	340	40	324/6TSC	3	37
MVI 225-6/2	42.1	1069	67.9	1726	15.8	402	12.6	320	788	358	50	324/6TSC	3	44.9
MVI 225-6	42.1	1069	67.9	1726	15.8	402	12.6	320	788	358	50	324/6TSC	3	44.9
MVI 225-7/2	45.2	1149	71.1	1806	15.8	402	12.6	320	796	361	50	324/6TSC	3	44.9
MVI 225-7	45.2	1149	73.8	1875	17.9	455	16.0	407	1091	495	60	364/5TSC	3	53.6
MVI 225-8/1	48.4	1229	77.0	1955	17.9	455	16.0	407	1098	498	60	364/5TSC	3	53.6

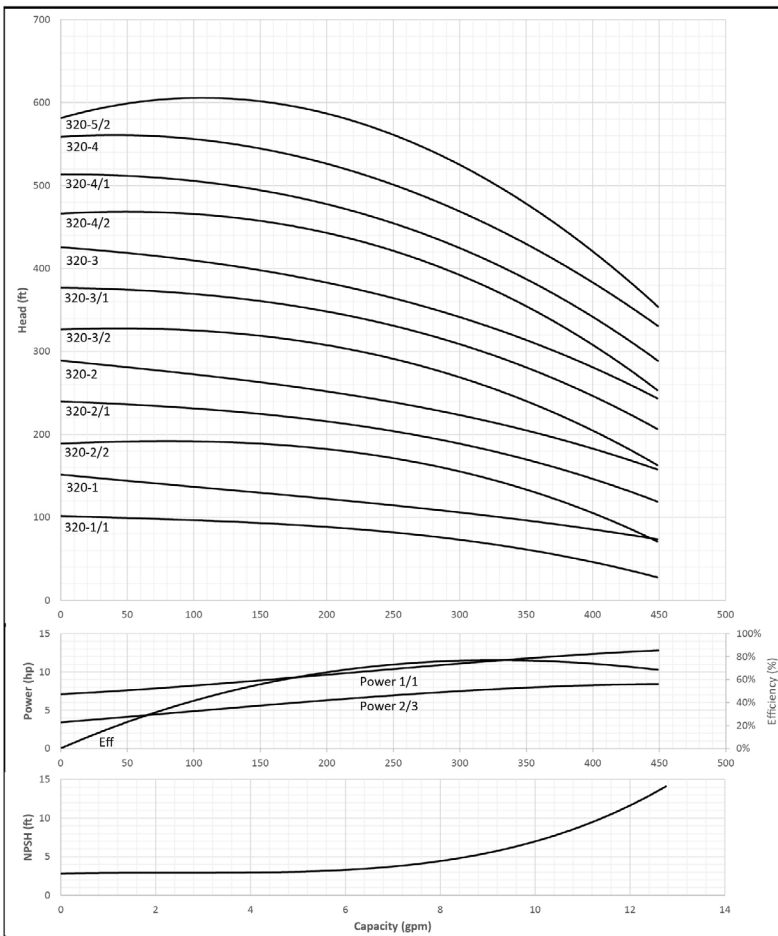
Submittal Data Sheet

MVI - Vertical Multistage Pumps



A WILO BRAND

MVI 320								
		Project:						
		Engineer:						
		Contractor:						
		Submitted By:				Date:		
		Approved By:				Date:		
Tag #	Model #	Flow	Head	HP	Cycle	Phase	Voltage	RPM
					60HZ			



- ### Applications
- Water supply & pressure boosting
 - Industrial circulation systems
 - Cooling water circulation systems
 - Process water
 - Washing systems
 - Irrigation

Materials of Construction

	AISI 304 Stainless Steel Model	AISI 316 stainless steel Model
Pump Volute, Impeller, Outer Sleeve, Cover, Seal Chamber	AISI 304 stainless steel	AISI 316 stainless steel
Shaft	AISI 431 stainless steel	AISI 316 stainless steel
Pedestal	ASTM 65-45-12 Cast Iron	
Flanges	ASTM 65-45-12 Cast Iron	
Baseplate	ASTM 25B Cast Iron	
O-ring	EPDM or Viton (depending on model)	

Technical Data

Certification	NSF/ANSI 61 & 372 Certified
Liquid Temp Range	5 °F to 248 °F; determined by liquid type
Power Supply	1~115/208-230/460V, 3~208-230/460V, 3-575V
Ambient temperature	32 °F to 104 °F
Flange Connection	4" ANSI CLASS 150 for MVI 320-1/1 - 320-3 4" ANSI CLASS 300 for MVI 320-4/2 - 320-5/2
Max Operating Pressure	232 PSI for MVI 320-1/1 - MVI 320-3 435 PSI for MVI 320-4/2 - MVI 320-5/2
Protection Class	IP 55

Approval Stamp

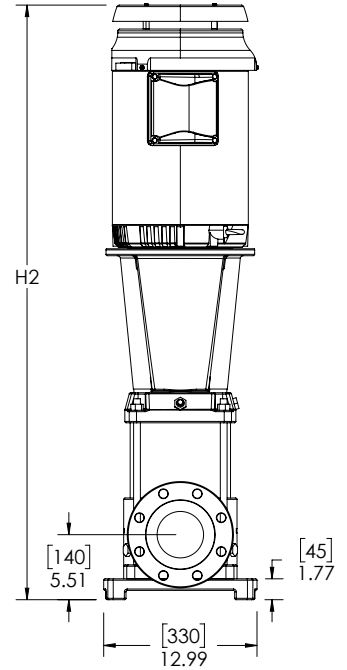
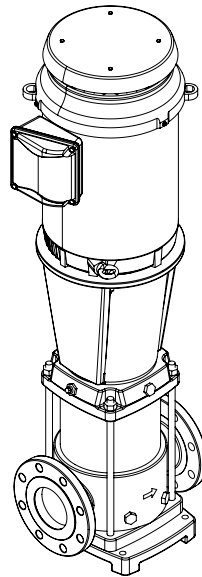
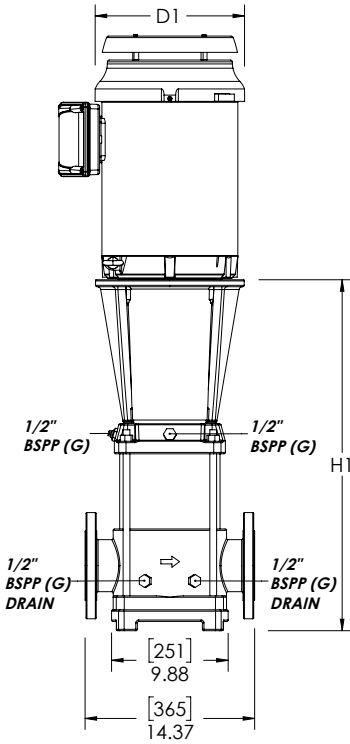
Submittal Data Sheet

MVI - Vertical Multistage Pumps



A WILO BRAND

Dimensions, Weights & Electrical Data



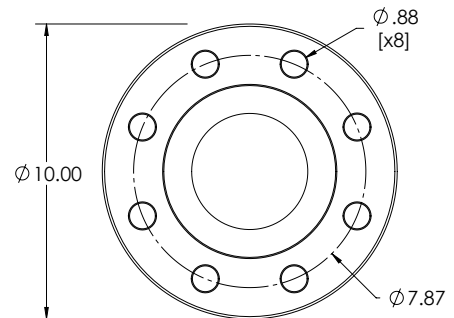
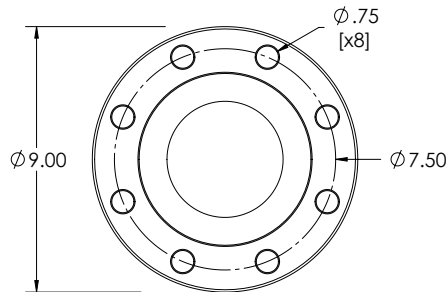
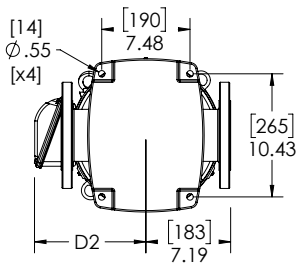
note:
Refer to the flow arrow
on the pump volute
for the direction of flow.

MVI 320-1/1 - 320-3

**4" - 150# ANSI
SUCTION &
DISCHARGE**

MVI 320-4/2 - 320-5/2

**4" - 300# ANSI
SUCTION &
DISCHARGE**



Submittal Data Sheet

Scot MVI – Vertical Multistage Pumps



A WILO BRAND

Dimensions, Weights & Electrical Data

Dimensions and Weights											TEFC Motor Data			
Model	H ₁		H ₂		D ₁		D ₂		Weight		208-230/460 V			
	Dimensions-inches (mm)										P2	Frame	Phase	FLA
	in	mm	in	(mm)	in	(mm)	in	(mm)	lbs	kg	[HP]	[~]	[A]	
MVI 320-1/1	22.4	568	41.3	1048	11.0	278.5	8.0	202.5	259	118	7.5	213/5TC	3	19.2-17.3/8.67
MVI 320-1	26.5	673	47.0	1195	13.2	334.8	9.4	240.0	328	149	15	254/6TC	3	38.5-34.8/17.4
MVI 320-2/2	29.7	755	50.3	1277	13.2	334.8	9.4	240.0	337	153	15	254/6TC	3	38.5-34.8/17.4
MVI 320-2/1	29.7	755	51.2	1300	13.2	334.8	9.4	240.0	378	171	20	254/6TC	3	50.2-45.4/22.7
MVI 320-2	29.7	755	53.8	1367	14.2	360.0	11.1	281.5	538	244	25	284TSC	3	63.0-57.6/28.8
MVI 320-3/2	33.0	838	58.6	1487	14.2	360.0	11.1	281.5	567	257	30	286TSC	3	76.7-68.4/34.2
MVI 320-3/1	33.0	838	60.0	1524	15.8	402.0	12.6	319.5	694	315	40	324TSC	3	101-92.6/46.3
MVI 320-3	33.0	838	60.0	1524	15.8	402.0	12.6	319.5	694	315	40	324TSC	3	101-92.6/46.3
MVI 320-4/2	36.2	920	63.2	1606	15.8	402.0	12.6	319.5	702	319	40	324TSC	3	101-92.6/46.3
MVI 320-4/1	36.2	920	62.1	1577	15.8	402.0	12.6	319.5	782	355	50	324/6TSC	3	124-112/56.1
MVI 320-4	36.2	920	62.1	1577	15.8	402.0	12.6	319.5	782	355	50	324/6TSC	3	124-112/56.1
MVI 320-5/2	39.5	1003	68.1	1729	17.9	454.9	16.0	407.0	1062	482	60	364/5TSC	3	148-134/67.0


Dimensions and Weights											TEFC Motor Data			
Model	H ₁		H ₂		D ₁		D ₂		Weight		575V			
	Dimensions-inches (mm)										P2	Frame	Phase	FLA
	in	mm	in	(mm)	in	(mm)	in	(mm)	lbs	kg	[HP]	[~]	[A]	
MVI 320-1/1	22.4	568	39.0	991	11.0	279	8.0	203	259	118	7.5	213/5TC	3	6.94
MVI 320-1	26.5	673	44.7	1135	11.0	279	8.0	203	309	140	15	254/6TC	3	9.2
MVI 320-2/2	29.7	755	47.9	1217	11.0	279	8.0	203	318	144	15	254/6TC	3	9.2
MVI 320-2/1	29.7	755	49.0	1246	13.2	335	9.4	240	379	172	20	254/6TC	3	18.2
MVI 320-2	29.7	755	53.0	1347	14.2	360	11.1	282	549	249	25	284/6TSC	3	23
MVI 320-3/2	33.0	838	56.3	1430	14.2	360	11.1	282	577	262	30	284/6TSC	3	27.4
MVI 320-3/1	33.0	838	58.8	1495	15.8	402	12.6	320	725	329	40	324/6TSC	3	37
MVI 320-3	33.0	838	58.8	1495	15.8	402	12.6	320	725	329	40	324/6TSC	3	37
MVI 320-4/2	36.2	920	62.1	1577	15.8	402	12.6	320	733	333	40	324/6TSC	3	37
MVI 320-4/1	36.2	920	62.1	1577	15.8	402	12.6	320	764	347	50	324/6TSC	3	44.9
MVI 320-4	36.2	920	62.1	1577	15.8	402	12.6	320	764	347	50	324/6TSC	3	44.9
MVI 320-5/2	39.5	1003	68.1	1729	17.9	455	16.0	407	1059	481	60	364/5TSC	3	53.6

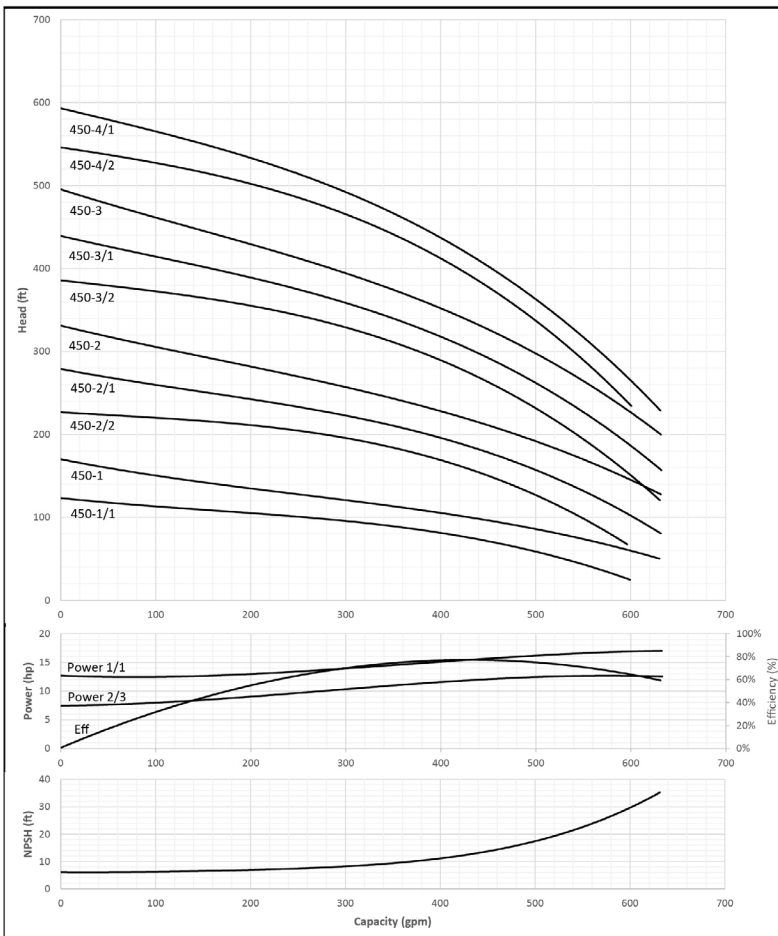
Submittal Data Sheet

MVI - Vertical Multistage Pumps



A WILO BRAND

MVI 450								
		Project:						
		Engineer:						
		Contractor:						
		Submitted By:				Date:		
		Approved By:				Date:		
Tag #	Model #	Flow	Head	HP	Cycle	Phase	Voltage	RPM
					60HZ			



Applications

- Water supply & pressure boosting
- Industrial circulation systems
- Cooling water circulation systems
- Process water
- Washing systems
- Irrigation

Materials of Construction

	AISI 304 Stainless Steel Model	AISI 316 stainless steel Model
Pump Volute, Impeller, Outer Sleeve, Cover, Seal Chamber	AISI 304 stainless steel	AISI 316 stainless steel
Shaft	AISI 431 stainless steel	AISI 316 stainless steel
Pedestal	ASTM 65-45-12 Cast Iron	
Flanges	ASTM 65-45-12 Cast Iron	
Baseplate	ASTM 25B Cast Iron	
O-ring	EPDM or Viton (depending on model)	

Technical Data

Certification	NSF/ANSI 61 & 372 Certified
Liquid Temp Range	5 °F to 248 °F; determined by liquid type
Power Supply	1-115/208-230/460V, 3-208-230/460V, 3-575V
Ambient temperature	32 °F to 104 °F
Flange Connection	4" ANSI CLASS 150 for MVI 450-1/1 - 450-3 4" ANSI CLASS 300 for MVI 450-4/2 - 450-4/1
Max Operating Pressure	232 PSI for MVI 450-1/1 - MVI 450-3 435 PSI for MVI 450-4/2 - MVI 450-4/1
Protection Class	IP 55

Approval Stamp

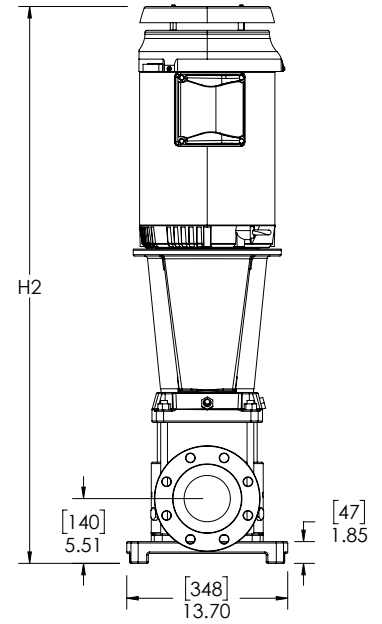
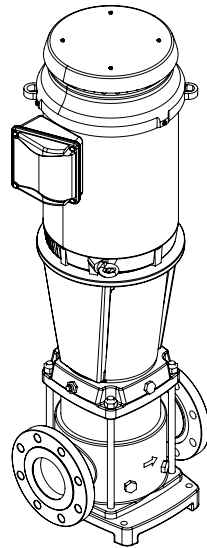
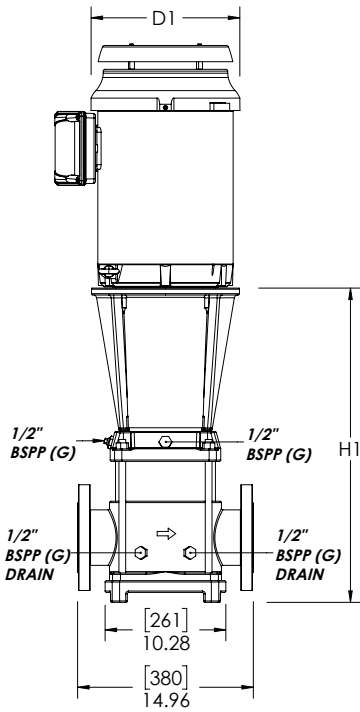
Submittal Data Sheet

MVI - Vertical Multistage Pumps



A WILO BRAND

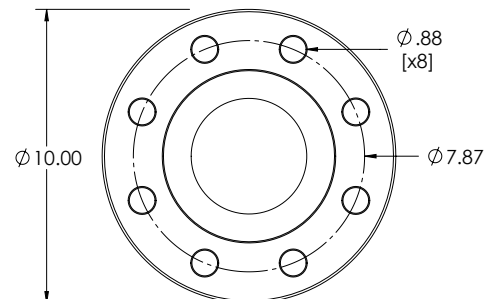
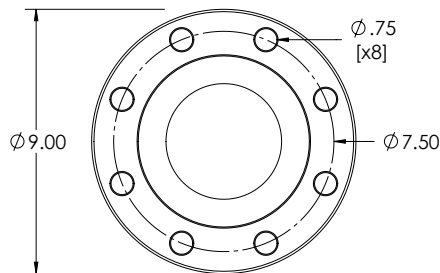
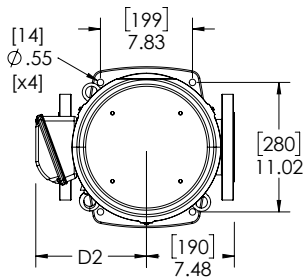
Dimensions, Weights & Electrical Data



note:
Refer to the flow arrow
on the pump volute
for the direction of flow.

MVI 450-1/1 - 450-3
4" - 150# ANSI
SUCTION &
DISCHARGE

MVI 450-4/2 - 450-4/1
4" - 300# ANSI
SUCTION &
DISCHARGE



Submittal Data Sheet

Scot MVI – Vertical Multistage Pumps



A WILO BRAND

Dimensions, Weights & Electrical Data

Dimensions and Weights											TEFC Motor Data			
H ₁		H ₂		D ₁		D ₂					208-230/460 V			
											P2	Frame	Phase	FLA
											[HP]		[~]	[A]
Model	in	mm	in	(mm)	in	(mm)	in	(mm)	lbs	kg				
MVI 450-1/1	26.8	679	47.3	1201	13.2	334.8	9.4	240.0	351	159	15	254/6TC	3	38.5-34.8/17.4
MVI 450-1	26.8	679	47.3	1201	13.2	334.8	9.4	240.0	351	159	15	254/6TC	3	38.5-34.8/17.4
MVI 450-2/2	30.3	771	54.4	1382	14.2	360.0	11.1	281.5	564	256	25	284TSC	3	63.0-57.6/28.8
MVI 450-2/1	30.3	771	55.9	1420	14.2	360.0	11.1	281.5	584	265	30	286TSC	3	76.7-68.4/34.2
MVI 450-2	30.3	771	57.3	1456	15.8	402.0	12.6	319.5	711	322	40	324TSC	3	101-92.6/46.3
MVI 450-3/2	33.9	862	60.9	1548	15.8	402.0	12.6	319.5	722	327	40	324TSC	3	101-92.6/46.3
MVI 450-3/1	33.9	862	59.8	1518	15.8	402.0	12.6	319.5	801	363	50	324/6TSC	3	124-112/56.1
MVI 450-3	33.9	862	59.8	1518	15.8	402.0	12.6	319.5	801	363	50	324/6TSC	3	124-112/56.1
MVI 450-4/2	37.4	949	65.9	1675	17.9	454.9	16.0	407.0	1096	497	60	364/5TSC	3	148-134/67.0
MVI 450-4/1	37.4	949	65.9	1675	17.9	454.9	16.0	407.0	1097	497	60	364/5TSC	3	148-134/67.0

Dimensions and Weights											TEFC Motor Data			
H ₁		H ₂		D ₁		D ₂					575V			
											P2	Frame	Phase	FLA
											[HP]		[~]	[A]
Model	in	mm	in	(mm)	in	(mm)	in	(mm)	lbs	kg				
MVI 450-1/1	26.8	679	44.9	1141	11.0	279	8.0	203	332	151	15	254/6TC	3	9.2
MVI 450-1	26.8	679	44.9	1141	11.0	279	8.0	203	332	151	15	254/6TC	3	9.2
MVI 450-2/2	30.3	771	53.6	1362	14.2	360	11.1	282	575	261	25	284/6TSC	3	23
MVI 450-2/1	30.3	771	53.6	1362	14.2	360	11.1	282	594	270	30	284/6TSC	3	27.4
MVI 450-2	30.3	771	56.2	1427	15.8	402	12.6	320	742	337	40	324/6TSC	3	37
MVI 450-3/2	33.9	862	59.8	1518	15.8	402	12.6	320	753	342	40	324/6TSC	3	37
MVI 450-3/1	33.9	862	59.8	1518	15.8	402	12.6	320	783	356	50	324/6TSC	3	44.9
MVI 450-3	33.9	862	59.8	1518	15.8	402	12.6	320	783	356	50	324/6TSC	3	44.9
MVI 450-4/2	37.4	949	65.9	1675	17.9	455	16.0	407	1093	496	60	364/5TSC	3	53.6
MVI 450-4/1	37.4	949	65.9	1675	17.9	455	16.0	407	1094	497	60	364/5TSC	3	53.6

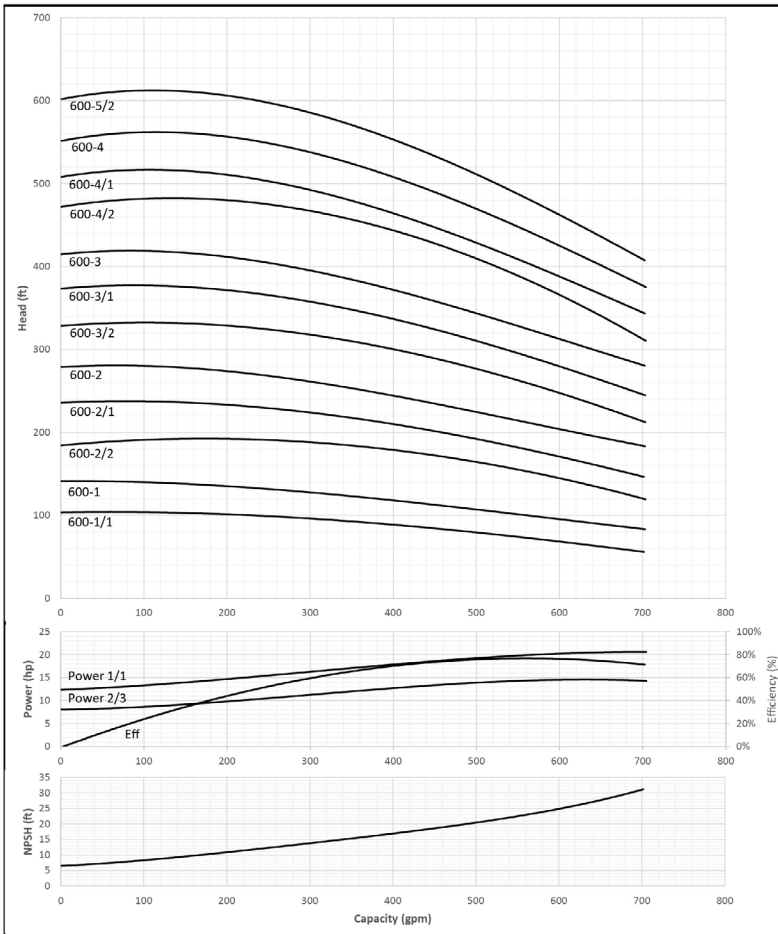
Submittal Data Sheet

MVI - Vertical Multistage Pumps



A WILO BRAND

MVI 600								
		Project:						
		Engineer:						
		Contractor:						
		Submitted By:				Date:		
		Approved By:				Date:		
Tag #	Model #	Flow	Head	HP	Cycle	Phase	Voltage	RPM
					60HZ			



Applications

- Water supply & pressure boosting
- Industrial circulation systems
- Cooling water circulation systems
- Process water
- Washing systems
- Irrigation

Materials of Construction

	AISI 304 Stainless Steel Model	AISI 316 stainless steel Model
Pump Volute, Impeller, Outer Sleeve, Cover, Seal Chamber	AISI 304 stainless steel	AISI 316 stainless steel
Shaft	AISI 431 stainless steel	AISI 316 stainless steel
Pedestal	ASTM 65-45-12 Cast Iron	
Flanges	ASTM 65-45-12 Cast Iron	
Baseplate	ASTM 25B Cast Iron	
O-ring	EPDM or Viton (depending on model)	

Technical Data

Certification	NSF/ANSI 61 & 372 Certified
Liquid Temp Range	5 °F to 248 °F; determined by liquid type
Power Supply	1-115/208-230/460V, 3-208-230/460V, 3-575V
Ambient temperature	32 °F to 104 °F
Flange Connection	5" ANSI CLASS 150 for MVI 600-1/1 - 600-4/2 5" ANSI CLASS 300 for MVI 600-4/1 - 600-5/2
Max Operating Pressure	435 PSI
Protection Class	IP 55

Approval Stamp

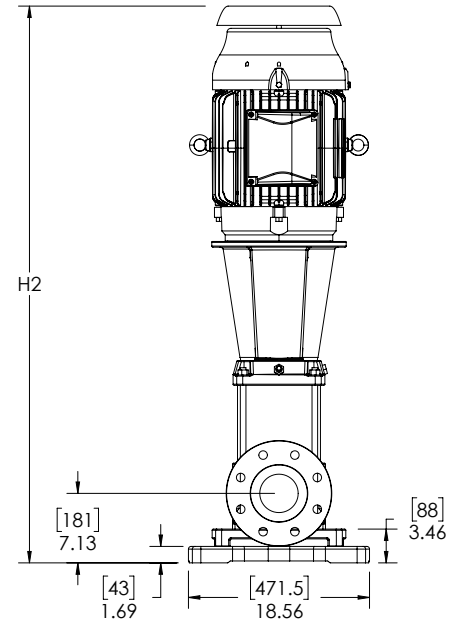
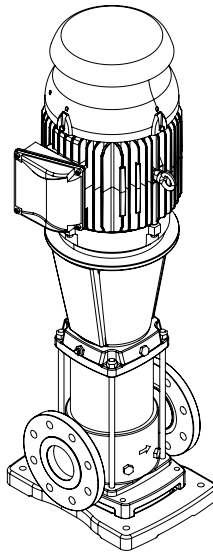
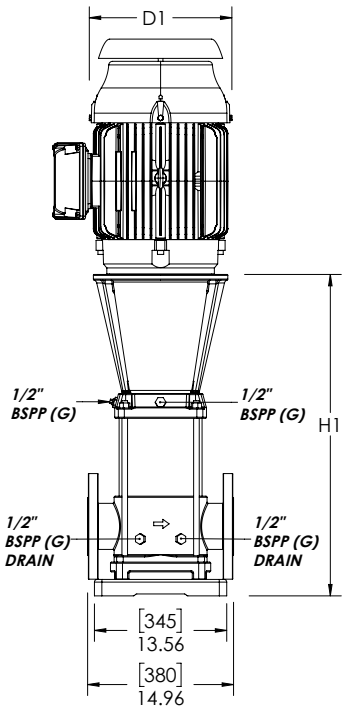
Submittal Data Sheet

MVI - Vertical Multistage Pumps



A WILO BRAND

Dimensions, Weights & Electrical Data



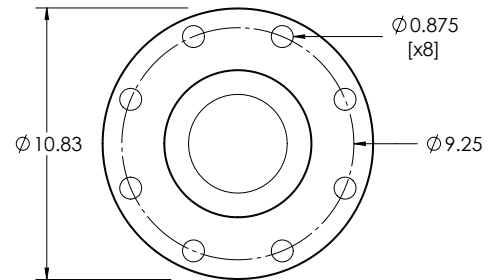
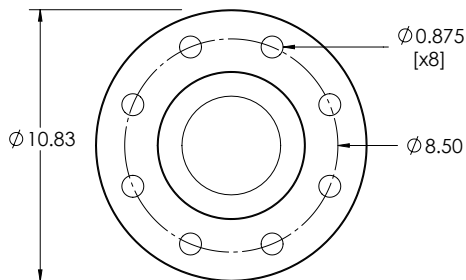
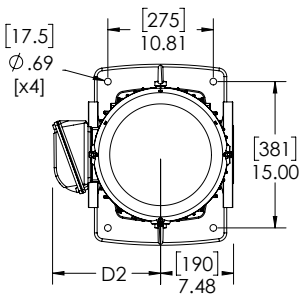
note:
Refer to the flow arrow
on the pump volute
for the direction of flow.

MVI 600-1/1 - 600-4/2

**5" - 150# ANSI
SUCTION &
DISCHARGE**

MVI 600-4/1 - 600-5/2

**5" - 300# ANSI
SUCTION &
DISCHARGE**



Submittal Data Sheet

Scot MVI – Vertical Multistage Pumps



A WILO BRAND

Dimensions, Weights & Electrical Data

Dimensions and Weights											TEFC Motor Data			
Model	H ₁		H ₂		D ₁		D ₂		Weight		208-230/460 V			
	Dimensions-inches (mm)										P2	Frame	Phase	FLA
	in	mm	in	(mm)	in	(mm)	in	(mm)	lbs	kg	[HP]	[~]	[A]	
MVI 600-1/1	33.0	837	54.4	1382	13.2	334.8	9.4	240.0	437	198	20	254/6TC	3	50.2-45.4/22.7
MVI 600-1	33.0	837	57.0	1449	14.2	360.0	11.1	281.5	598	271	25	284TSC	3	63.0-57.6/28.8
MVI 600-2/2	39.1	992	66.1	1678	15.8	402.0	12.6	319.5	775	352	40	324TSC	3	101-92.6/46.3
MVI 600-2/1	39.1	992	66.1	1678	15.8	402.0	12.6	319.5	775	352	40	324TSC	3	101-92.6/46.3
MVI 600-2	39.1	992	64.9	1649	15.8	402.0	12.6	319.5	855	388	50	324/6TSC	3	124-112/56.1
MVI 600-3/2	45.2	1148	73.8	1874	17.9	454.9	16.0	407.0	1156	524	60	364/5TSC	3	148-134/67.0
MVI 600-3/1	45.2	1148	73.8	1874	17.9	454.9	16.0	407.0	1156	525	60	364/5TSC	3	148-134/67.0
MVI 600-3	45.7	1160	74.3	1886	17.9	455.0	16.0	407.0	1214	551	75	364/5TSC	3	181-164/81.9
MVI 600-4/2	51.8	1315	80.4	2041	17.9	455.0	16.0	407.0	1236	561	75	364/5TSC	3	181-164/81.9
MVI 600-4/1	51.8	1315	84.2	2139	19.1	486.0	16.0	407.0	1458	661	100	404/5TSC	3	243-224/112
MVI 600-4	51.8	1315	84.2	2139	19.1	486.0	16.0	407.0	1458	661	100	404/5TSC	3	243-224/112
MVI 600-5/2	57.9	1471	90.3	2295	19.1	486.0	16.0	407.0	1479	671	100	404/5TSC	3	243-224/112


Dimensions and Weights											TEFC Motor Data			
Model	H ₁		H ₂		D ₁		D ₂		Weight		575V			
	Dimensions-inches (mm)										P2	Frame	Phase	FLA
	in	mm	in	(mm)	in	(mm)	in	(mm)	lbs	kg	[HP]	[~]	[A]	
MVI 600-1/1	33.0	837	52.3	1327	13.2	335	9.4	240	438	199	20	254/6TC	3	18.2
MVI 600-1	33.0	837	56.3	1429	14.2	360	11.1	282	609	276	25	284/6TSC	3	23
MVI 600-2/2	39.1	992	64.9	1649	15.8	402	12.6	320	806	366	40	324/6TSC	3	37
MVI 600-2/1	39.1	992	64.9	1649	15.8	402	12.6	320	806	366	40	324/6TSC	3	37
MVI 600-2	39.1	992	64.9	1649	15.8	402	12.6	320	837	380	50	324/6TSC	3	44.9
MVI 600-3/2	45.2	1148	73.8	1874	17.9	455	16.0	407	1153	524	60	364/5TSC	3	53.6
MVI 600-3/1	45.2	1148	73.8	1874	17.9	455	16.0	407	1153	524	60	364/5TSC	3	53.6
MVI 600-3	45.7	1160	74.3	1886	17.9	455	16.0	407	1182	537	75	364/5TSC	3	65.5
MVI 600-4/2	51.8	1315	80.4	2041	17.9	455	16.0	407	1204	547	75	364/5TSC	3	65.5
MVI 600-4/1	51.8	1315	84.2	2139	19.1	486	16.0	407	1454	660	100	404/5TSC	3	89.6
MVI 600-4	51.8	1315	84.2	2139	19.1	486	16.0	407	1454	660	100	404/5TSC	3	89.6
MVI 600-5/2	57.9	1471	90.3	2295	19.1	486	16.0	407	1475	670	100	404/5TSC	3	89.6

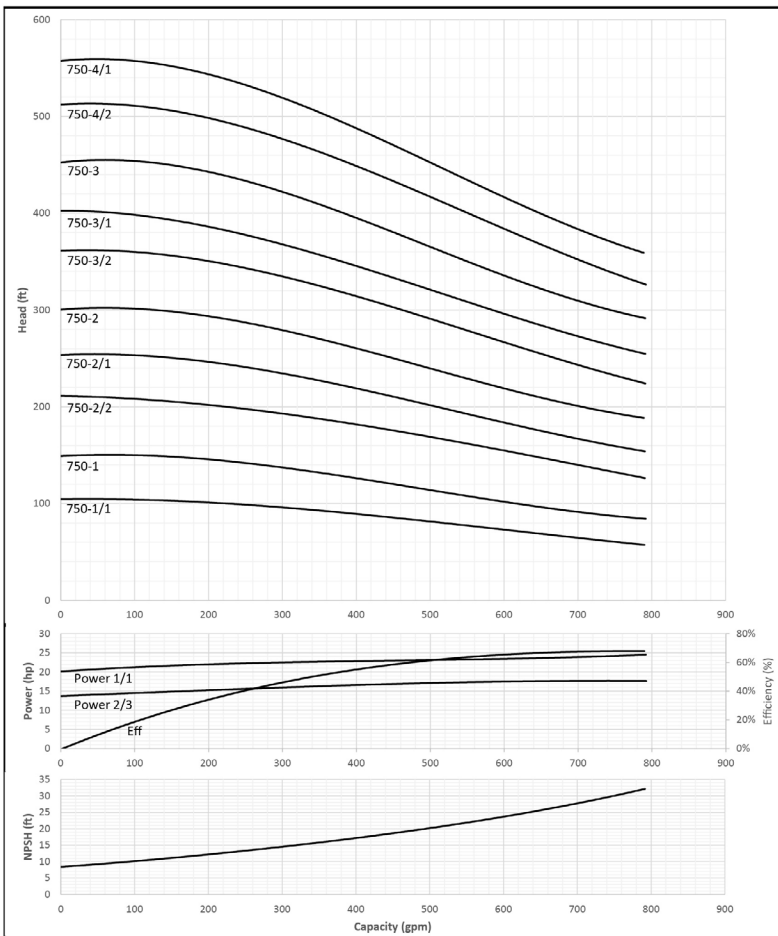
Submittal Data Sheet

MVI - Vertical Multistage Pumps



A WILO BRAND

MVI 750								
		Project:						
		Engineer:						
		Contractor:						
		Submitted By:				Date:		
		Approved By:				Date:		
Tag #	Model #	Flow	Head	HP	Cycle	Phase	Voltage	RPM
					60HZ			



- ### Applications
- Water supply & pressure boosting
 - Industrial circulation systems
 - Cooling water circulation systems
 - Process water
 - Washing systems
 - Irrigation

Materials of Construction

	AISI 304 Stainless Steel Model	AISI 316 stainless steel Model
Pump Volute, Impeller, Outer Sleeve, Cover, Seal Chamber	AISI 304 stainless steel	AISI 316 stainless steel
Shaft	AISI 431 stainless steel	AISI 316 stainless steel
Pedestal	ASTM 65-45-12 Cast Iron	
Flanges	ASTM 65-45-12 Cast Iron	
Baseplate	ASTM 25B Cast Iron	
O-ring	EPDM or Viton (depending on model)	

Technical Data

Certification	NSF/ANSI 61 & 372 Certified
Liquid Temp Range	5 °F to 248 °F; determined by liquid type
Power Supply	1-115/208-230/460V, 3-208-230/460V, 3-575V
Ambient temperature	32 °F to 104 °F
Flange Connection	5" ANSI CLASS 150 for MVI 750-1/1 - 750-3 5" ANSI CLASS 300 for MVI 750-4/2 - 750-4/1
Max Operating Pressure	435 PSI
Protection Class	IP 55

Approval Stamp

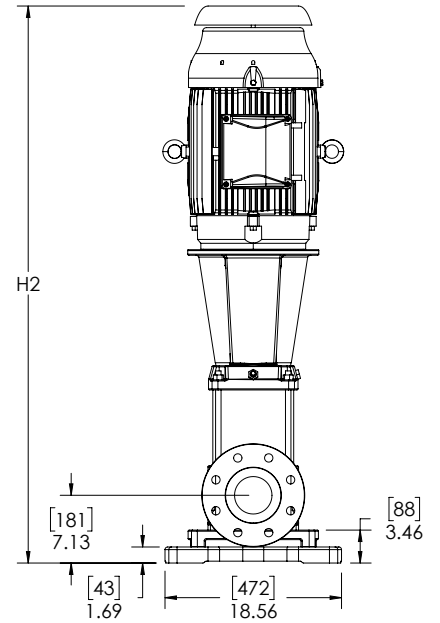
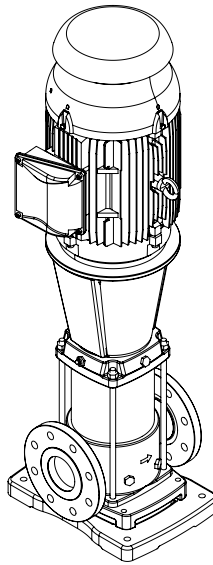
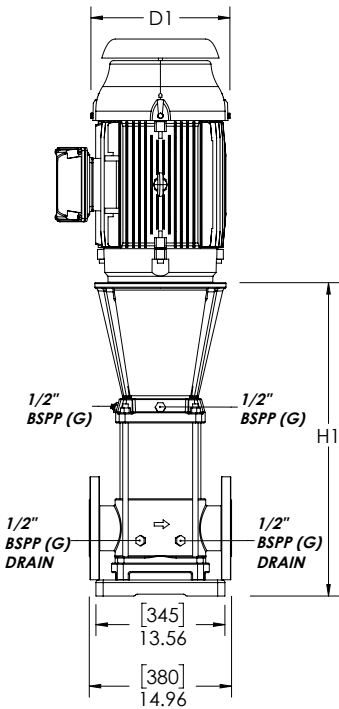
Submittal Data Sheet

MVI - Vertical Multistage Pumps



A WILO BRAND

Dimensions, Weights & Electrical Data



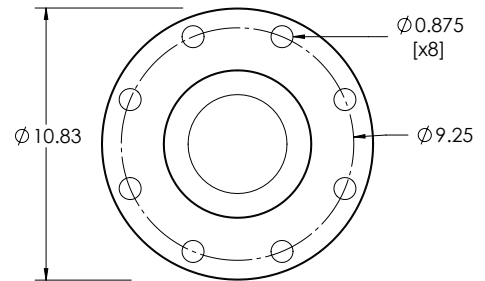
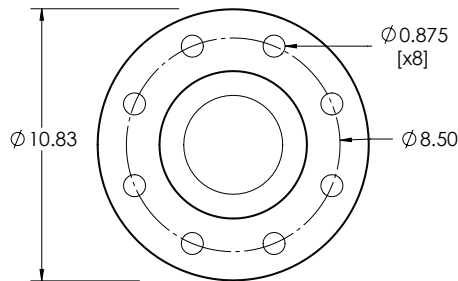
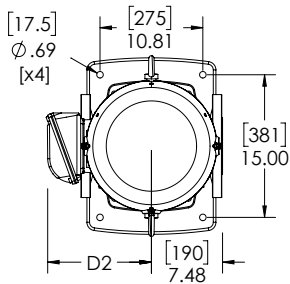
note:
Refer to the flow arrow
on the pump volute
for the direction of flow.

MVI 750-1/1 - 750-3

5" - 150# ANSI
SUCTION &
DISCHARGE

MVI 750-4/2 - 750-4/1

5" - 300# ANSI
SUCTION &
DISCHARGE



Submittal Data Sheet

Scot MVI – Vertical Multistage Pumps



A WILO BRAND

Dimensions, Weights & Electrical Data

Dimensions and Weights										
Model	H ₁		H ₂		D ₁		D ₂		Weight	
	Dimensions-inches (mm)									
	in	mm	in	(mm)	in	(mm)	in	(mm)	lbs	kg
MVI 750-1/1	33.0	837	57.0	1449	14.2	360.0	11.1	281.5	605	275
MVI 750-1	33.0	837	58.5	1486	14.2	360.0	11.1	281.5	626	284
MVI 750-2/2	39.1	992	66.1	1678	15.8	402.0	12.6	319.5	774	351
MVI 750-2/1	39.1	992	64.9	1649	15.8	402.0	12.6	319.5	853	387
MVI 750-2	39.1	992	67.7	1718	17.9	454.9	16.0	407.0	1133	514
MVI 750-3/2	45.7	1160	74.3	1886	17.9	455.0	16.0	407.0	1213	550
MVI 750-3/1	45.7	1160	74.3	1886	17.9	455.0	16.0	407.0	1213	550
MVI 750-3	45.7	1160	78.1	1984	19.1	486.0	16.0	407.0	1435	651
MVI 750-4/2	51.8	1315	84.2	2139	19.1	486.0	16.0	407.0	1454	660
MVI 750-4/1	51.8	1315	84.2	2139	19.1	486.0	16.0	407.0	1454	660

TEFC Motor Data			
208-230/460 V			
P2	Frame	Phase	FLA
[HP]		[~]	[A]
25	284TSC	3	63.0-57.6/28.8
30	286TSC	3	76.7-68.4/34.2
40	324TSC	3	101-92.6/46.3
50	324/6TSC	3	124-112/56.1
60	364/5TSC	3	148-134/67.0
75	364/5TSC	3	181-164/81.9
75	364/5TSC	3	181-164/81.9
100	404/5TSC	3	243-224/112
100	404/5TSC	3	243-224/112
100	404/5TSC	3	243-224/112

Dimensions and Weights										
Model	H ₁		H ₂		D ₁		D ₂		Weight	
	Dimensions-inches (mm)									
	in	mm	in	(mm)	in	(mm)	in	(mm)	lbs	kg
MVI 750-1/1	33.0	837	56.3	1429	14.2	360	11.1	282	616	280
MVI 750-1	33.0	837	56.3	1429	14.2	360	11.1	282	636	289
MVI 750-2/2	39.1	992	64.9	1649	15.8	402	12.6	320	805	365
MVI 750-2/1	39.1	992	64.9	1649	15.8	402	12.6	320	835	379
MVI 750-2	39.1	992	67.7	1718	17.9	455	16.0	407	1130	513
MVI 750-3/2	45.7	1160	74.3	1886	17.9	455	16.0	407	1181	536
MVI 750-3/1	45.7	1160	74.3	1886	17.9	455	16.0	407	1181	536
MVI 750-3	45.7	1160	78.1	1984	19.1	486	16.0	407	1431	650
MVI 750-4/2	51.8	1315	84.2	2139	19.1	486	16.0	407	1450	658
MVI 750-4/1	51.8	1315	84.2	2139	19.1	486	16.0	407	1450	658

TEFC Motor Data			
575V			
P2	Frame	Phase	FLA
[HP]		[~]	[A]
25	284/6TSC	3	23
30	284/6TSC	3	27.4
40	324/6TSC	3	37
50	324/6TSC	3	44.9
60	364/5TSC	3	53.6
75	364/5TSC	3	65.5
75	364/5TSC	3	65.5
100	404/5TSC	3	89.6
100	404/5TSC	3	89.6
100	404/5TSC	3	89.6