

Submittal Data Sheet

Wilo Helix Complete- Vertical Multistage Pumps

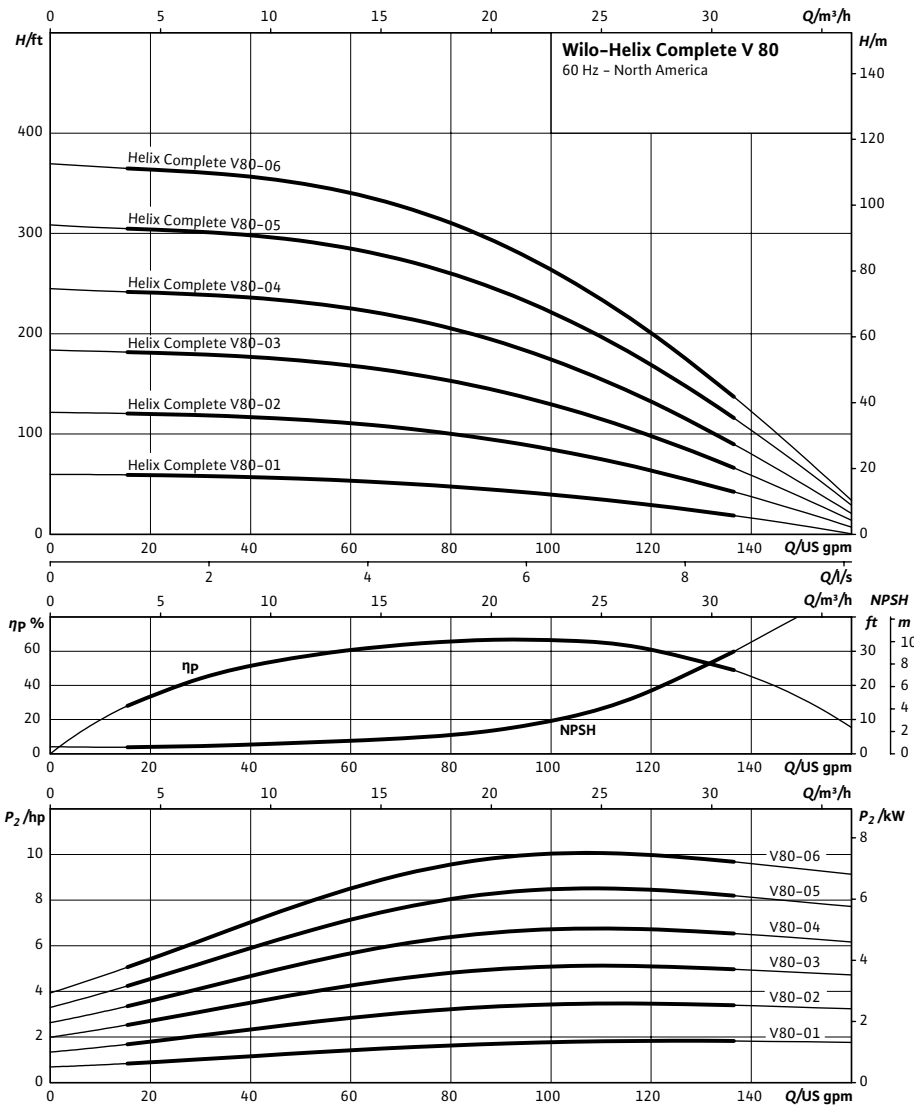


Wilo Helix Complete V 80 EFC (304 SS - EPDM)



Project:	
Engineer:	
Contractor:	
Submitted By:	Date:
Approved By:	Date:

Tag #	Model #	Flow	Head	HP	Cycle	Phase	Voltage	RPM
	Helix Complete V80 EFC				60HZ			



Applications

- Water supply & pressure boosting
- Industrial circulation systems
- Cooling water circulation systems
- Process water
- Washing systems
- Irrigation

Materials of Construction

Pump volute, flanges, impeller, stage housing, diffusers	Stainless steel AISI 304
Shaft	Stainless steel AISI 304 or AISI 316LN (Depending on version)
Shaft sleeve	Stainless Steel AISI 316L
Baseplate & lantern	Cast Iron Cataphoresis Coated ASTM A 48 Class 35/40
O-ring	EPDM (FKM upon request)
Jacket pipe	Stainless Steel AISI 304

Technical Data

Certification	NSF 61 Approved (EPDM)
Liquid Temp Range	-4°F to +180°F
Power Supply	3- 208-230v, 3- 460v, 3- 575v
Ambient temperature	+5°F to +104°F
System Connection	ANSI CLASS 150
Max Operating Pressure	232 PSI
Protection Class	IP 55

Approval Stamp

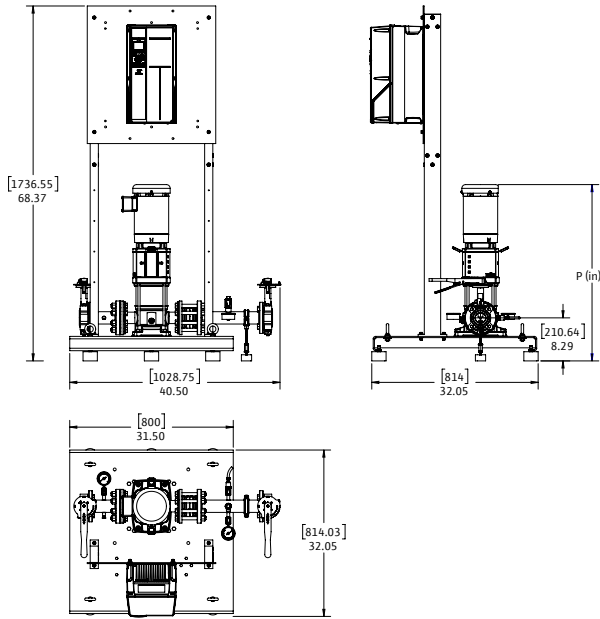
Submittal Data Sheet

Wilo Helix Complete – Vertical Multistage Pumps



Dimensions, Weights & Electrical Data

1~230V



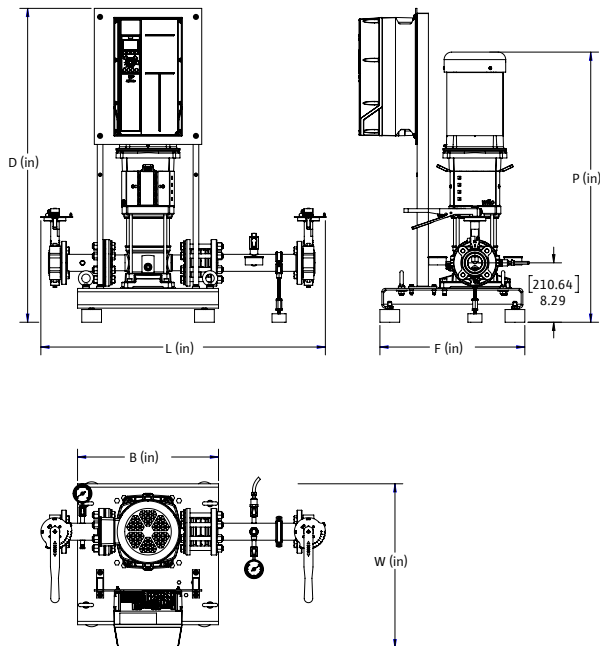
Dimensions and Weights

Model	P	B	F	W	D	Weight lbs
	in	in	in	in	in	
V80-01-1 EFC	34	32	32	32	68	384
V80-02-1	38	32	32	32	68	425
V80-03-1	40	32	32	32	68	427
V80-04-1	48	32	32	32	68	479
V80-05-1	50	32	32	32	68	519
V80-06-1	52	32	32	32	68	521

TEFC Motor Data

1~230V	
P2	FLA
[HP]	[A]
2	5.3-5.0
5	12-11.8
5	12-11.8
7.5	17.2-16.2
10	24.8-24.2
10	24.8-24.2

3~208-230V



Dimensions and Weights

Model	P	B	F	W	D	Weight lbs
	in	in	in	in	in	
V80-01-1 EFC	34	20	20	22	44	269
V80-02-1	38	20	20	23	44	311
V80-03-1	40	20	20	23	44	313
V80-04-1	48	32	32	33	68	479
V80-05-1	50	32	32	33	68	510
V80-06-1	52	32	32	33	68	512

TEFC Motor Data

3~208-230V	
P2	FLA
[HP]	[A]
2	5.3-5.0
5	12-11.8
5	12-11.8
7.5	17.2-16.2
10	24.8-24.2
10	24.8-24.2

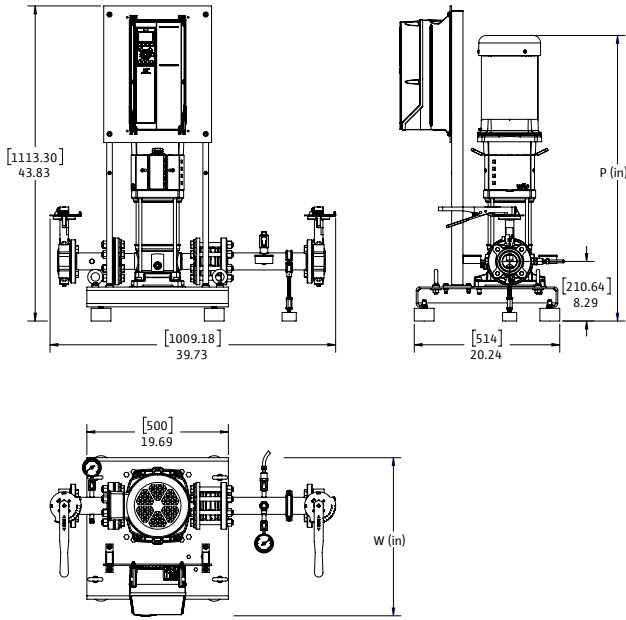
Submittal Data Sheet

Wilo Helix Complete – Vertical Multistage Pumps



Dimensions, Weights & Electrical Data

3~460V



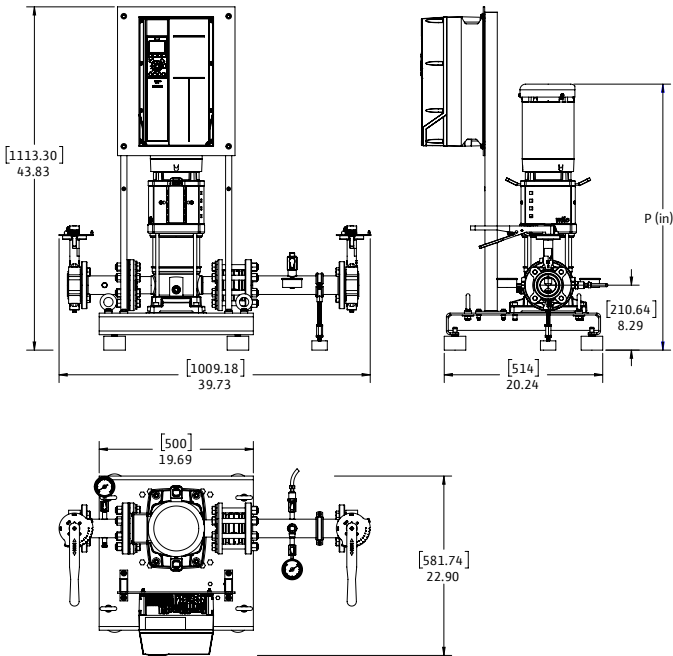
Dimensions and Weights

Model	P	B	F	W	D	Weight lbs
	in	in	in	in	in	
V80-01-1 EFC	34	20	20	22	44	269
V80-02-1	38	20	20	22	44	310
V80-03-1	40	20	20	22	44	312
V80-04-1	48	20	20	23	44	365
V80-05-1	50	20	20	23	44	396
V80-06-1	52	20	20	23	44	398

TEFC Motor Data

3~460V	
P2	FLA
[HP]	[A]
2	2.50
5	5.90
5	5.90
7.5	8.10
10	12.10
10	12.10

3~575V



Dimensions and Weights

Model	P	B	F	W	D	Weight lbs
	in	in	in	in	in	
V80-01-1 EFC	34	20	20	23	44	270
V80-02-1	38	20	20	23	44	311
V80-03-1	40	20	20	23	44	313
V80-04-1	48	20	20	23	44	365
V80-05-1	50	20	20	23	44	396
V80-06-1	52	20	20	23	44	398

TEFC Motor Data

3~575V	
P2	FLA
[HP]	[A]
2	2.00
5	4.70
5	4.70
7.5	6.80
10	9.50
10	9.50