
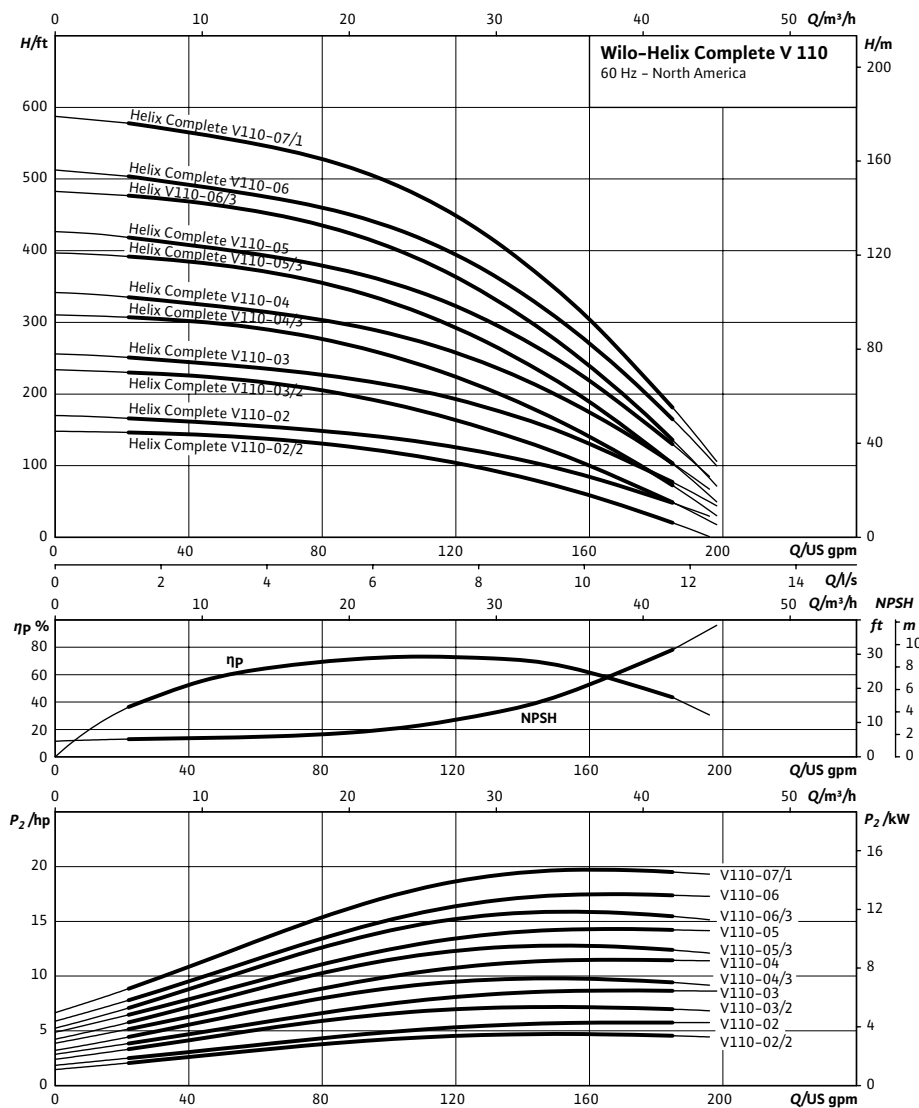


# Submittal Data Sheet

## Wilco Helix Complete- Vertical Multistage Pumps



Wilo Helix Complete V 110 EFC (304 SS - EPDM)								
		Project:						
		Engineer:						
		Contractor:						
		Submitted By:				Date:		
		Approved By:				Date:		
Tag #	Model #	Flow	Head	HP	Cycle	Phase	Voltage	RPM
	Helix Complete V110 EFC				60HZ			



Applications	
• Water supply & pressure boosting	• Industrial circulation systems
• Cooling water circulation systems	• Process water
• Washing systems	• Irrigation

Materials of Construction	
Pump Volute	Stainless steel AISI 304
Impeller, Housing, Diffusers	Stainless steel AISI 304L
Shaft	Stainless steel AISI 431
Shaft Sleeve	Stainless steel AISI 316L
Baseplate & Lantern	Cast iron cataphoresis coated ASTM A 48 Class 35/40
Flanges	Cast iron cataphoresis, coated Grey Cast Iron ASTM A 48 Class 35/40
O-ring	EPDM (FKM gasket upon request)
Jacket Pipe	Stainless steel AISI 304

Technical Data	
Certification	NSF 61 Approved (EPDM)
Liquid Temp Range	-4°F to +180°F
Power Supply	3- 208-230v, 3- 460v, 3- 575v
Ambient temperature	+5°F to +104°F
System Connection	ANSI CLASS 150
Max Operating Pressure	232 PSI
Protection Class	IP 55

Approval Stamp

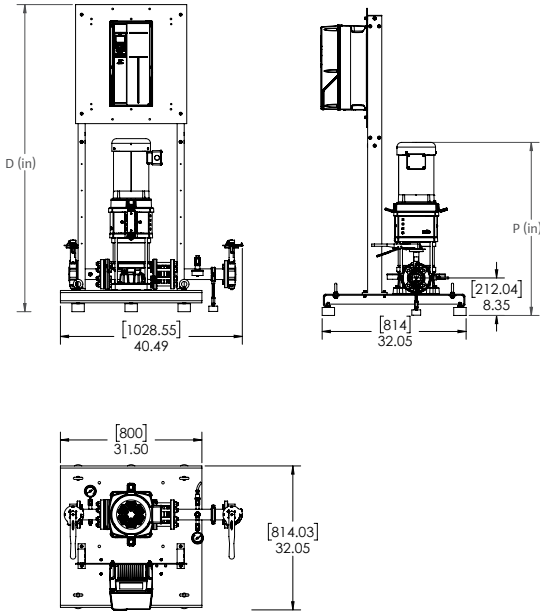
# Submittal Data Sheet

Wilo Helix Complete – Vertical Multistage Pumps



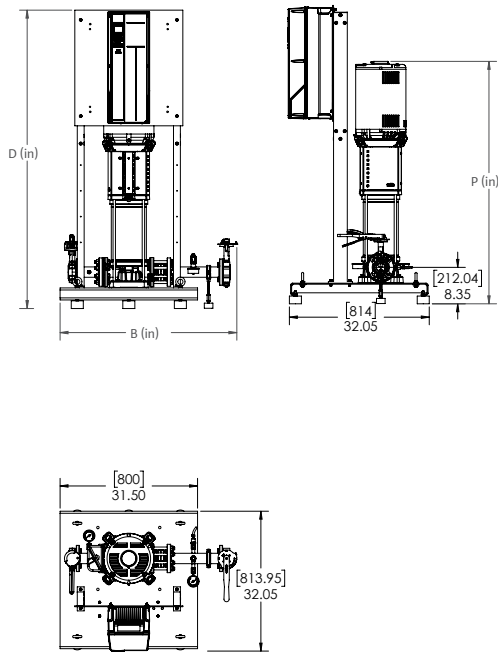
## Dimensions, Weights & Electrical Data

### 1~230V



Dimensions and Weights							TEFC Motor Data	
Model	P	B	F	W	D	Weight	1~230V	
	Dimensions						[HP]	FLA
	in	in	in	in	in	lbs		
V110-02/2-1 EFC	39	32	32	34	68	491	5	12-11.8
V110-02-1	45	32	32	34	68	532	7.5	17.2-16.2
V110-03/2-1	47	32	32	34	68	541	7.5	17.2-16.2
V110-03-1	47	32	32	34	68	581	10	24.8-24.2
V110-04/3-1	49	32	32	34	68	583	10	24.8-24.2

### 3~208-230V



Dimensions and Weights							TEFC Motor Data	
Model	P	B	F	W	D	Weight	3~208-230V	
	Dimensions						[HP]	FLA
	in	in	in	in	in	lbs		
V110-02/2-1 EFC	39	32	32	32	44	428	5	12-11.8
V110-02-1	45	32	32	32	68	532	7.5	17.2-16.2
V110-03/2-1	47	32	32	32	68	541	7.5	17.2-16.2
V110-03-1	47	32	32	32	68	572	10	24.8-24.2
V110-04/3-1	49	32	32	32	68	574	10	24.8-24.2
V110-04-1	53	32	32	32	68	617	15	38.5-34.8
V110-05/3-1	55	32	32	32	68	628	15	38.5-34.8
V110-05-1	55	32	32	32	68	621	15	38.5-34.8
V110-06/3-1	56	32	32	32	68	700	20	50.0-46.0
V110-06-1	56	32	32	32	68	702	20	50.0-46.0

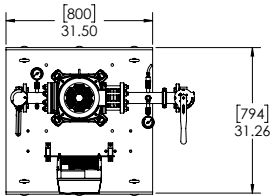
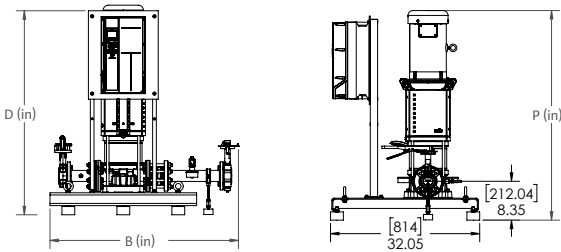
# Submittal Data Sheet

## Wilo Helix Complete – Vertical Multistage Pumps

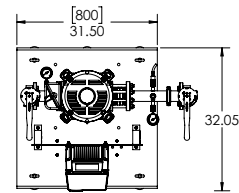
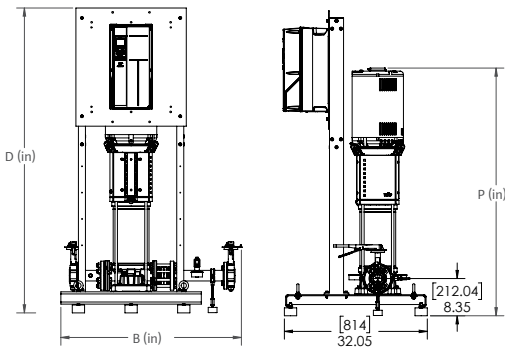


### Dimensions, Weights & Electrical Data

#### 3~460V



#### 3~575V



Dimensions and Weights						
	P	B	F	W	D	
	Dimensions					Weight
Model	in	in	in	in	in	lbs
V110-02/2-1 EFC	39	32	32	32	44	427
V110-02-1	45	32	32	32	44	469
V110-03/2-1	47	32	32	32	44	478
V110-03-1	47	32	32	32	44	509
V110-04/3-1	49	32	32	32	44	511
V110-04-1	53	32	32	32	68	617
V110-05/3-1	55	32	32	32	68	628
V110-05-1	55	32	32	32	68	621
V110-06/3-1	56	32	32	32	68	691
V110-06-1	56	32	32	32	68	693

TEFC Motor Data	
3~460V	
P2	FLA
[HP]	[A]
5	5.9
7.5	8.1
7.5	8.1
10	12.1
10	12.1
15	17.4
15	17.4
15	17.4
20	23
20	23

Dimensions and Weights						
	P	B	F	W	D	
	Dimensions					Weight
Model	in	in	in	in	in	lbs
V110-02/2-1 EFC	39	32	32	32	44	428
V110-02-1	45	32	32	32	44	469
V110-03/2-1	47	32	32	32	44	478
V110-03-1	47	32	32	32	44	509
V110-04/3-1	49	32	32	32	44	511
V110-04-1	53	32	32	32	68	617
V110-05/3-1	55	32	32	32	68	628
V110-05-1	55	32	32	32	68	621
V110-06/3-1	56	32	32	32	68	691
V110-06-1	56	32	32	32	68	693

TEFC Motor Data	
3~575V	
P2	FLA
[HP]	[A]
5	4.7
7.5	6.8
7.5	6.8
10	9.5
10	9.5
15	13.9
15	13.9
15	13.9
20	18.2
20	18.2