

# Submittal Data Sheet

## Wilo Helix Complete- Vertical Multistage Pumps

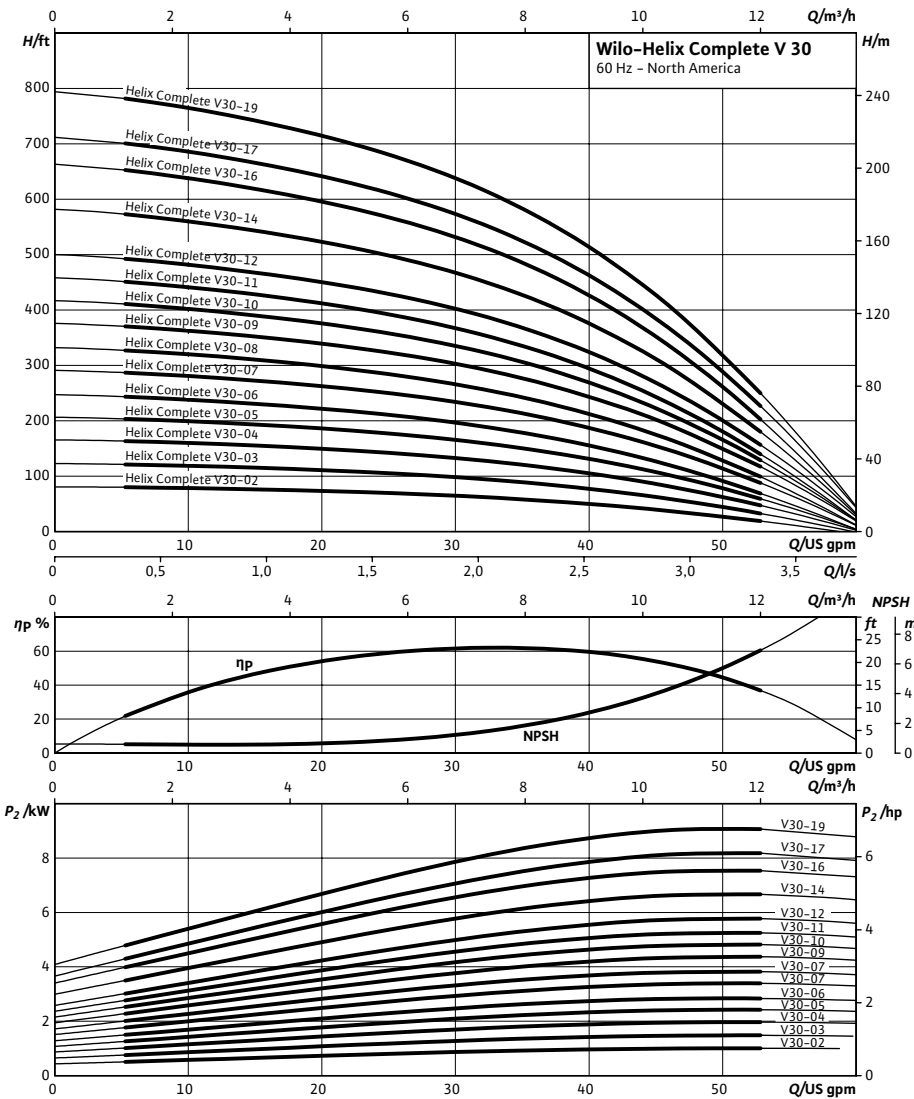


### Wilo Helix Complete V 30 EFC (304 SS - EPDM)



Project:	
Engineer:	
Contractor:	
Submitted By:	Date:
Approved By:	Date:

Tag #	Model #	Flow	Head	HP	Cycle	Phase	Voltage	RPM
	Helix Complete V30 EFC				60HZ			



Applications	
• Water supply & pressure boosting	• Industrial circulation systems
• Cooling water circulation systems	• Process water
• Washing systems	• Irrigation

Materials of Construction	
Pump volute, flanges, impeller, stage housing, diffusers	Stainless steel AISI 304
Shaft	Stainless steel AISI 304 or AISI 316LN (Depending on version)
Shaft sleeve	Stainless Steel AISI 316L
Baseplate & lantern	Cast Iron Cataphoresis Coated ASTM A 48 Class 35/40
O-ring	EPDM (FKM upon request)
Jacket pipe	Stainless Steel AISI 304

Technical Data	
Certification	NSF 61 Approved (EPDM)
Liquid Temp Range	-4°F to +180°F
Power Supply	3- 208-230v, 3- 460v, 3- 575v
Ambient temperature	+5°F to +104°F
System Connection	NPT
Max Operating Pressure	232/363 PSI
Protection Class	IP 55

Approval Stamp

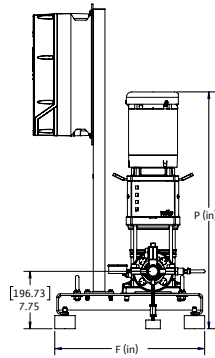
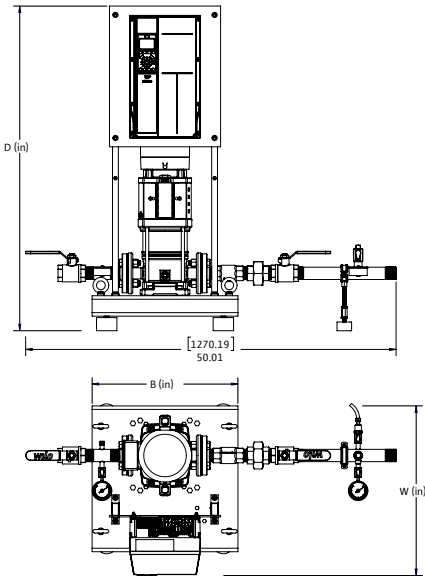
# Submittal Data Sheet

Wilo Helix Complete – Vertical Multistage Pumps



## Dimensions, Weights & Electrical Data

### 1~230V



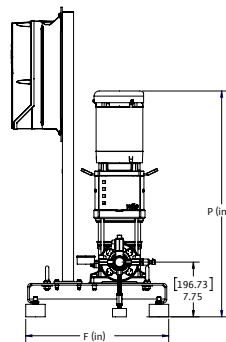
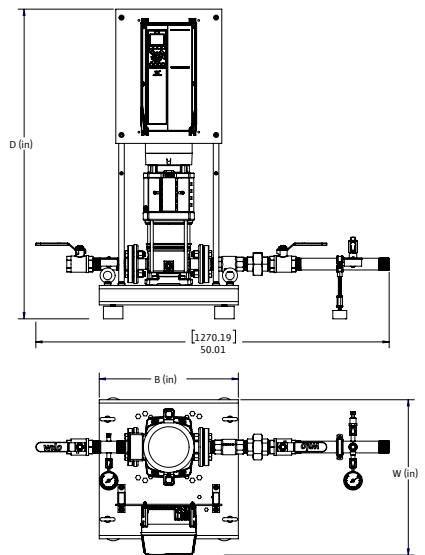
#### Dimensions and Weights

Model	P	B	F	W	D	Weight lbs
	Dimensions					
	in	in	in	in	in	
V30-02-1 EFC	32	20	20	23	44	210
V30-03-1	34	20	20	23	44	223
V30-04-1	36	32	32	32	68	337
V30-05-1	39	32	32	32	68	351
V30-06-1	40	32	32	32	68	356
V30-07-1	45	32	32	32	68	376
V30-08-1	46	32	32	32	68	379
V30-09-1	48	32	32	32	68	377
V30-10-1	49	32	32	32	68	380
V30-11-1	52	32	32	32	68	383
V30-12-1	57	32	32	32	68	423
V30-14-1	60	32	32	32	68	427
V30-16-1	63	32	32	32	68	431
V30-17-1	66	32	32	32	68	515
V30-19-1	69	32	32	32	68	521

#### TEFC Motor Data

1~230V	
P2	FLA
[HP]	[A]
1	3.0-2.8
1.5	4.0-3.8
2	5.3-5.0
3	7.9-7.2
3	7.9-7.2
5	12-11.8
5	12-11.8
5	12-11.8
5	12-11.8
5	12-11.8
7.5	17.2-16.2
7.5	17.2-16.2
7.5	17.2-16.2
10	24.8-24.2
10	24.8-24.2

### 3~208-230V



#### Dimensions and Weights

Model	P	B	F	W	D	Weight lbs
	Dimensions					
	in	in	in	in	in	
V30-02-1 EFC	32	20	20	22	44	219
V30-03-1	34	20	20	22	44	223
V30-04-1	36	20	20	22	44	227
V30-05-1	39	20	20	22	44	241
V30-06-1	40	20	20	22	44	246
V30-07-1	45	20	20	23	44	266
V30-08-1	46	20	20	23	44	269
V30-09-1	48	20	20	23	44	267
V30-10-1	49	20	20	23	44	270
V30-11-1	52	20	20	23	44	273
V30-12-1	57	32	32	33	68	423
V30-14-1	60	32	32	33	68	427
V30-16-1	63	32	32	33	68	431
V30-17-1	66	32	32	33	68	506
V30-19-1	69	32	32	33	68	512

#### TEFC Motor Data

3~208-230V	
P2	FLA
[HP]	[A]
1	3.0-2.8
1.5	4.0-3.8
2	5.3-5.0
3	7.9-7.2
3	7.9-7.2
5	12-11.8
5	12-11.8
5	12-11.8
5	12-11.8
5	12-11.8
7.5	17.2-16.2
7.5	17.2-16.2
7.5	17.2-16.2
10	24.8-24.2
10	24.8-24.2

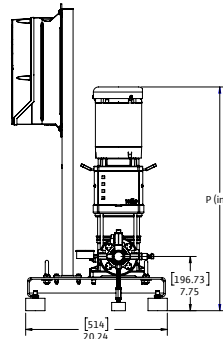
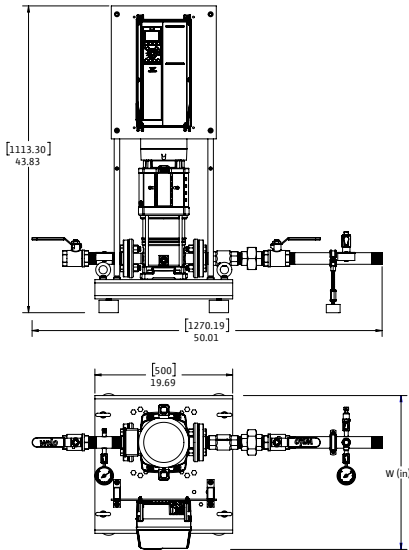
# Submittal Data Sheet

## Wilo Helix Complete – Vertical Multistage Pumps



### Dimensions, Weights & Electrical Data

#### 3~460V



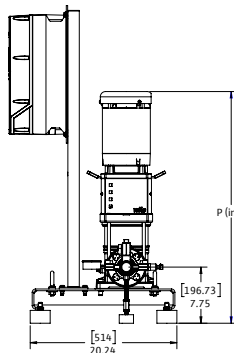
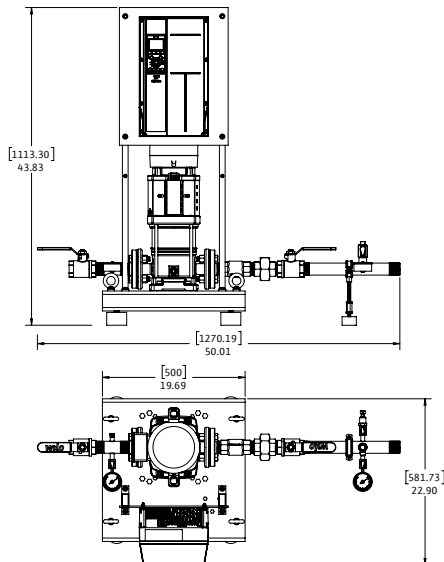
#### Dimensions and Weights

Model	P	B	F	W	D	Weight lbs
	Dimensions					
	in	in	in	in	in	
V30-02-1 EFC	32	20	20	22	44	219
V30-03-1	34	20	20	22	44	223
V30-04-1	36	20	20	22	44	227
V30-05-1	39	20	20	22	44	241
V30-06-1	40	20	20	22	44	246
V30-07-1	45	20	20	22	44	266
V30-08-1	46	20	20	22	44	269
V30-09-1	48	20	20	22	44	269
V30-10-1	49	20	20	22	44	270
V30-11-1	52	20	20	22	44	273
V30-12-1	57	20	20	23	44	313
V30-14-1	60	20	20	23	44	317
V30-16-1	63	20	20	23	44	321
V30-17-1	66	20	20	23	44	396
V30-19-1	69	20	20	23	44	402

#### TEFC Motor Data

3~460V	
P2	FLA
[HP]	[A]
1	1.40
1.5	1.87
2	2.50
3	3.60
3	3.60
5	5.90
5	5.90
5	5.90
5	5.90
7.5	8.10
7.5	8.10
7.5	8.10
10	12.10
10	12.10

#### 3~575V



#### Dimensions and Weights

Model	P	B	F	W	D	Weight lbs
	Dimensions					
	in	in	in	in	in	
V30-02-1 EFC	32	20	20	23	44	219
V30-03-1	34	20	20	23	44	223
V30-04-1	36	20	20	23	44	227
V30-05-1	39	20	20	23	44	241
V30-06-1	40	20	20	23	44	246
V30-07-1	45	20	20	23	44	266
V30-08-1	46	20	20	23	44	269
V30-09-1	48	20	20	23	44	267
V30-10-1	49	20	20	23	44	270
V30-11-1	52	20	20	23	44	273
V30-12-1	57	20	20	23	44	313
V30-14-1	60	20	20	23	44	317
V30-16-1	63	20	20	23	44	321
V30-17-1	66	20	20	23	44	396
V30-19-1	69	20	20	23	44	402

#### TEFC Motor Data

3~575V	
P2	FLA
[HP]	[A]
1	1.10
1.5	1.50
2	2.00
3	2.90
3	2.90
5	4.70
5	4.70
5	4.70
5	4.70
7.5	6.80
7.5	6.80
7.5	6.80
10	9.50
10	9.50