

# Submittal Data Sheet

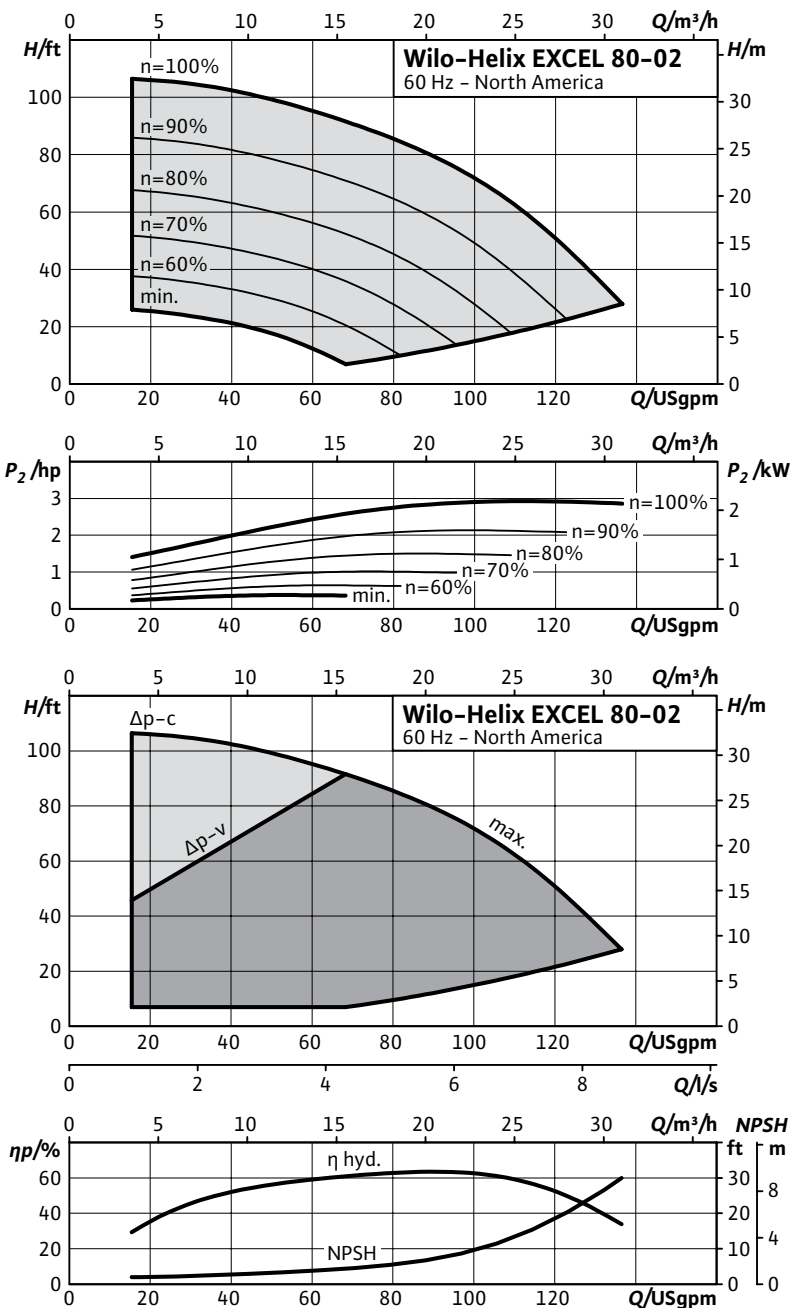
Multistage Pumps

## Wilo-Helix EXCEL



Project:			
Engineer:			
Contractor:			
Submitted By:			Date:
Approved By:			Date:

Tag #	Model #	Flow	Head	Volute	Control Mode	HP	Phase	Voltage
	Helix EXCEL 80-02					3	3	460



Product Info	
Brand	Wilo
Product Description	Helix Excel

Technical Data	
PEI	0.67
Liquid Temp Range	-22°F to 284°F (-30°C to +120°C)
Fluid Compatibility	Water, up to 50/50 Water-Glycol
Max Operating Pressure	232.1/362.6 PSI
Mains Voltage	460V (±10%) 60Hz
Protection Class	IP 55, Class F Insulation
Ambient Temp Range	5°F to 104°F (-15°C to 40°C)
Ambient Humidity	< 90% without condensation

Materials of Construction		
Pump Volute	AISI 304L*	AISI 316L
Mechanical Seal	EPDM	FKM
Impellers Stage Housings Diffusers	AISI 304L	AISI 316L
Shaft	AISI 304L / AISI 318 LN	AISI 316L / AISI 318LN
O-ring for mechanical seal	EPDM (FKM gasket on request)	EPDM (FKM gasket on request)
Sleeve under the mechanical seal	AISI 316L	AISI 316L

\*304 pump volutes are NSF 61 certified

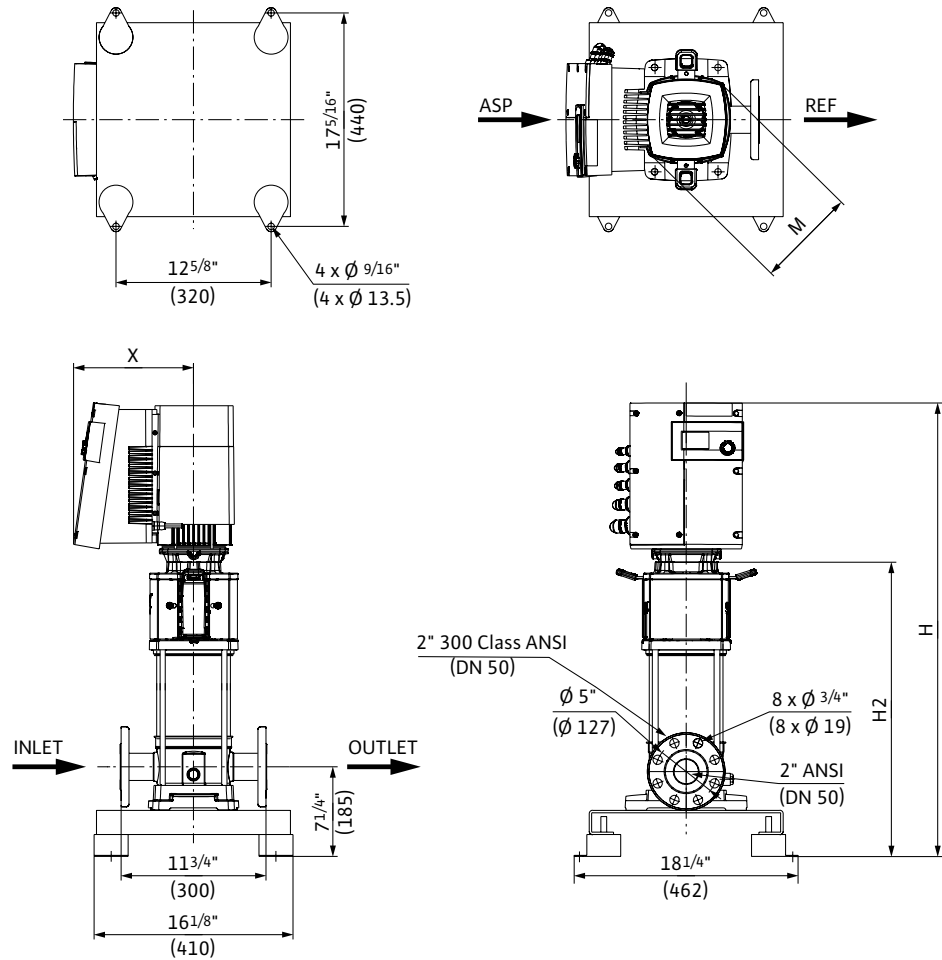
IR Module Selection	
Select	Module
	BACnet / Dual Pump
	LONworks / Dual Pump
	MODBus
	None

Applications	
Water Supply	Pressure Boosting
Boiler Feed	Cooling Systems
Pressure Washing	Irrigation

# Submittal Data Sheet

Multistage Pumps

## Wilo-Helix EXCEL

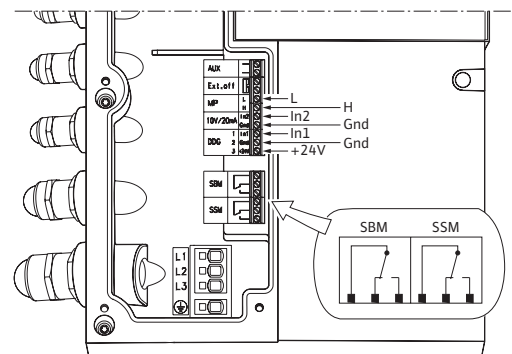


### Dimensions and Weights

Model	Dimensions - Inches (mm)				Weight lbs (kg)
	H	H2	$\phi M$	X	
Helix EXCEL 80-02	$34\frac{13}{16}$	$21\frac{15}{16}$	$8\frac{3}{8}$	$9\frac{3}{4}$	123.5
	(885)	(557)	(206)	(248)	(56)

### EC Motor Data (Single Motor Operation)

Model	$P_2$ Rated	Phase	Voltage	FLA	Efficiency
	hp	[~]	[V]	[A]	$\eta_m$ 100%
Helix EXCEL 80-02	3.0	3	460 ( $\pm 10\%$ )	4.4	93.0



# Submittal Data Sheet

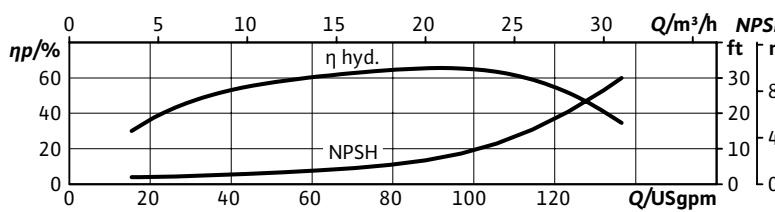
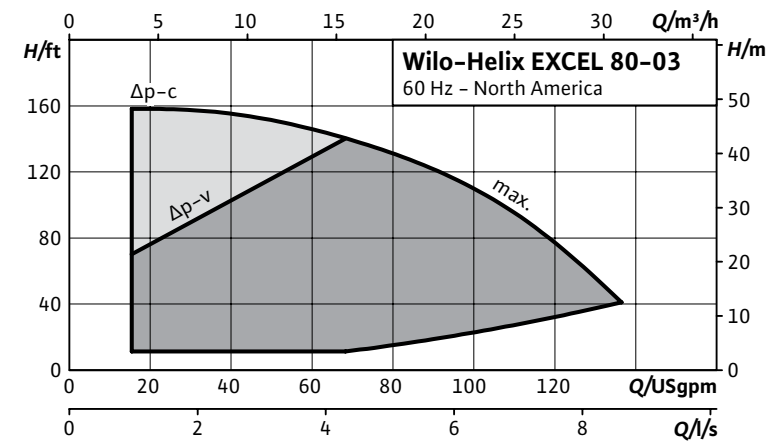
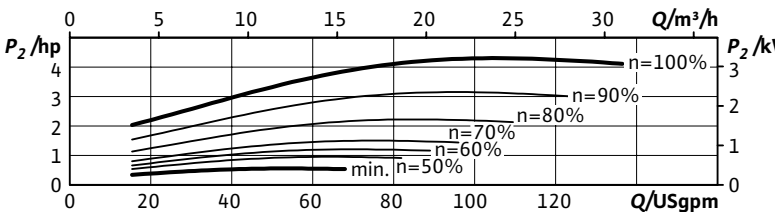
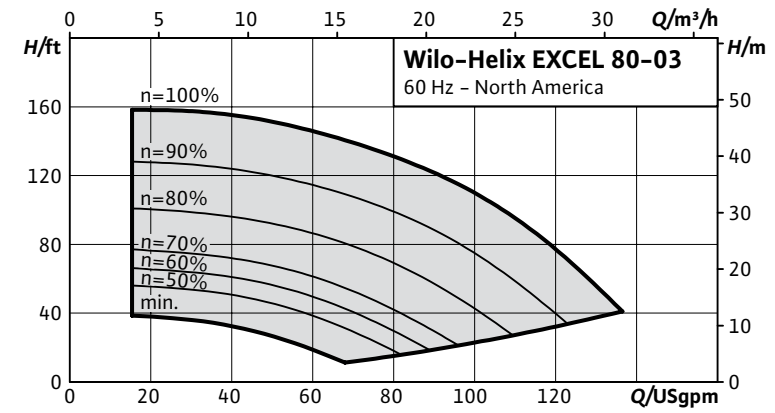
Multistage Pumps

## Wilo-Helix EXCEL



Project:	
Engineer:	
Contractor:	
Submitted By:	Date:
Approved By:	Date:

Tag #	Model #	Flow	Head	Volute	Control Mode	HP	Phase	Voltage
	Helix EXCEL 80-03					4.3	3	460



Product Info	
Brand	Wilo
Product Description	Helix Excel

Technical Data	
PEI	0.57
Liquid Temp Range	-22°F to 284°F (-30°C to +120°C)
Fluid Compatibility	Water, up to 50/50 Water-Glycol
Max Operating Pressure	232.1/362.6 PSI
Mains Voltage	460V (±10%) 60Hz
Protection Class	IP 55, Class F Insulation
Ambient Temp Range	5°F to 104°F (-15°C to 40°C)
Ambient Humidity	< 90% without condensation

Materials of Construction		
Pump Volute	AISI 304L*	AISI 316L
Mechanical Seal	EPDM	FKM
Impellers Stage Housings Diffusers	AISI 304L	AISI 316L
Shaft	AISI 304L / AISI 318 LN	AISI 316L / AISI 318LN
O-ring for mechanical seal	EPDM (FKM gasket on request)	EPDM (FKM gasket on request)
Sleeve under the mechanical seal	AISI 316L	AISI 316L

\*304 pump volutes are NSF 61 certified

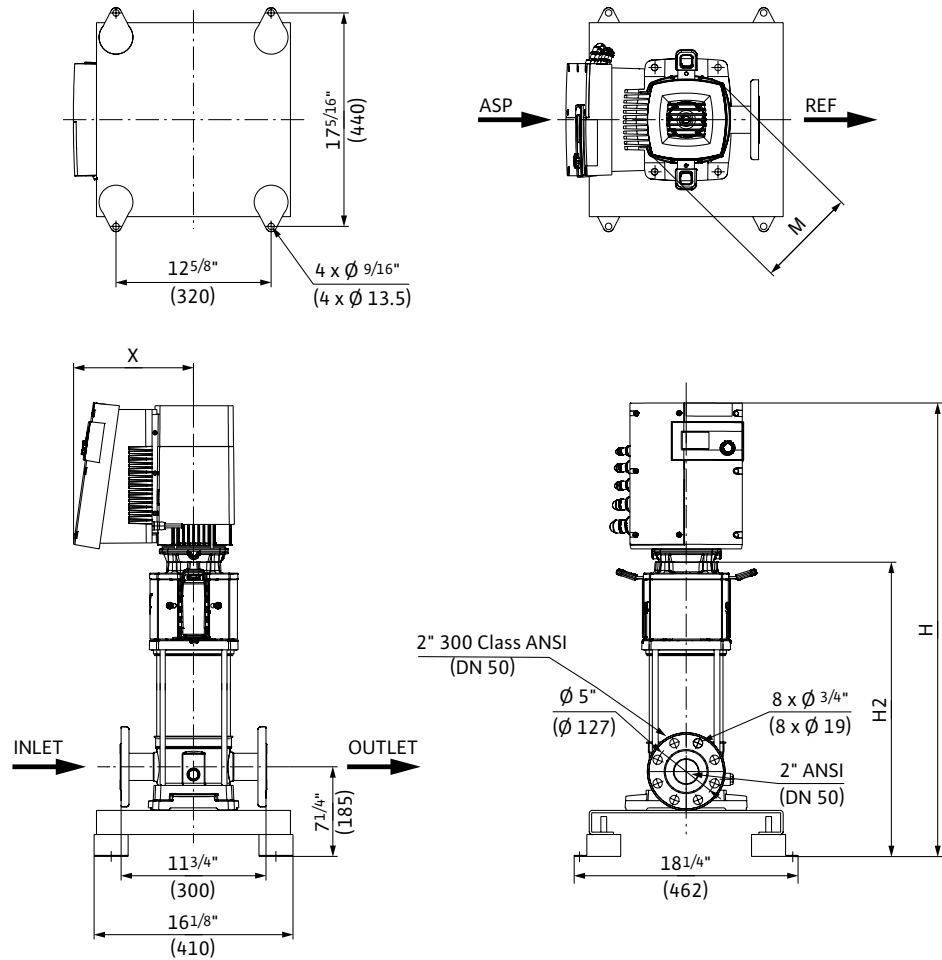
IR Module Selection	
Select	Module
	BACnet / Dual Pump
	LONworks / Dual Pump
	MODBus
	None

Applications	
Water Supply	Pressure Boosting
Boiler Feed	Cooling Systems
Pressure Washing	Irrigation

# Submittal Data Sheet

Multistage Pumps

## Wilo-Helix EXCEL

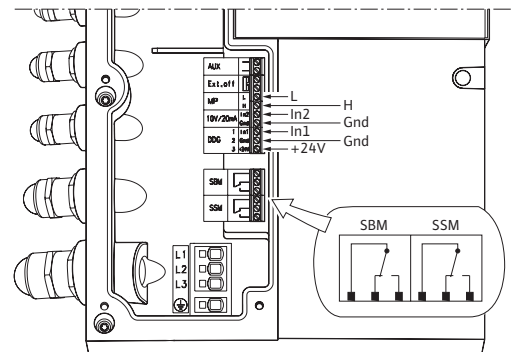


### Dimensions and Weights

Model	Dimensions - Inches (mm)				Weight lbs (kg)
	H	H2	ØM	X	
Helix EXCEL 80-03	36 <sup>13/16</sup>	23 <sup>7/8</sup>	8 <sup>1/8</sup>	9 <sup>3/4</sup>	125.7
	(935)	(607)	(206)	(248)	(57)

### EC Motor Data (Single Motor Operation)

Model	P <sub>2</sub> Rated	Phase	Voltage	FLA	Efficiency
	hp	[~]	[V]	[A]	η <sub>m</sub> 100%
Helix EXCEL 80-03	4.3	3	460 (±10%)	6	93.0



# Submittal Data Sheet

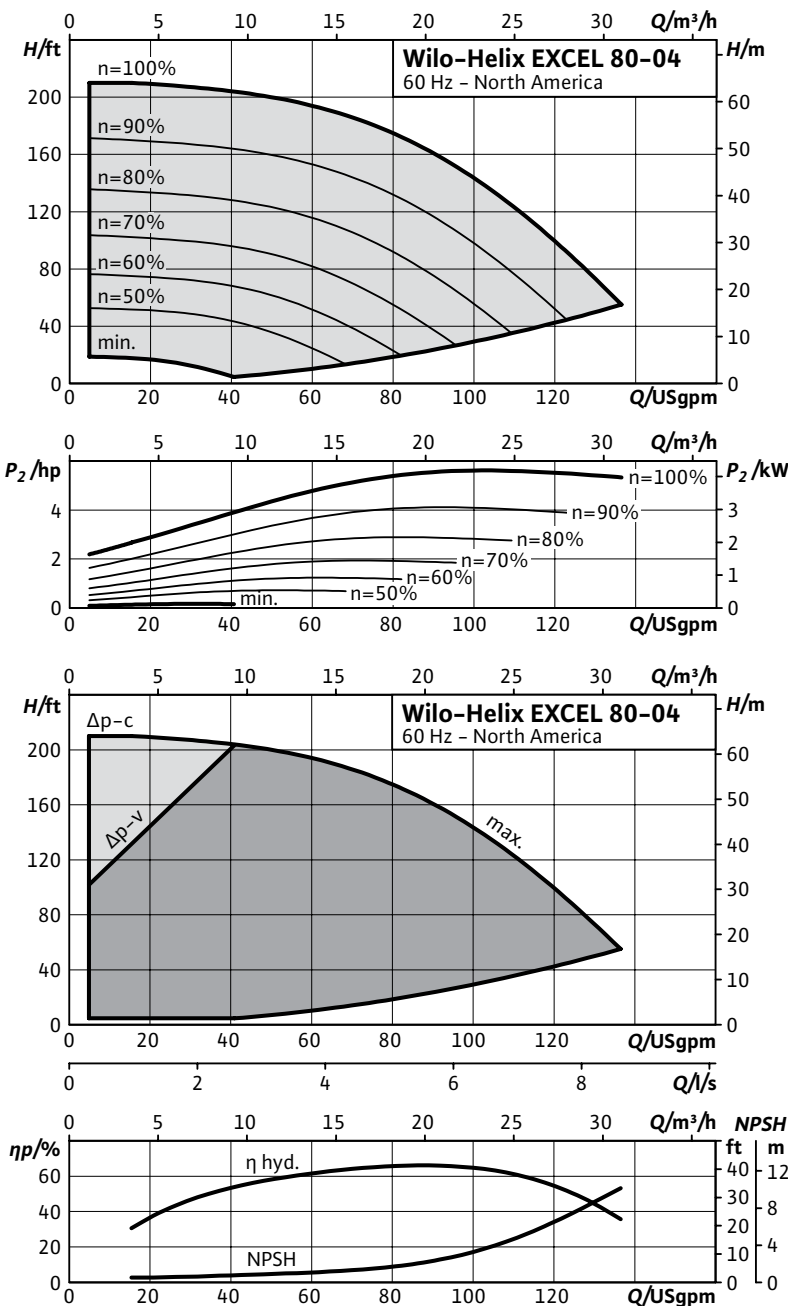
Multistage Pumps

## Wilo-Helix EXCEL



Project:			
Engineer:			
Contractor:			
Submitted By:			Date:
Approved By:			Date:

Tag #	Model #	Flow	Head	Volute	Control Mode	HP	Phase	Voltage
	Helix EXCEL 80-04					5.7	3	460



### Product Info

Brand	Wilo
Product Description	Helix Excel

### Technical Data

PEI	0.51
Liquid Temp Range	-22°F to 284°F (-30°C to +120°C)
Fluid Compatibility	Water, up to 50/50 Water-Glycol
Max Operating Pressure	232.1/362.6 PSI
Mains Voltage	460V (±10%) 60Hz
Protection Class	IP 55, Class F Insulation
Ambient Temp Range	5°F to 104°F (-15°C to 40°C)
Ambient Humidity	< 90% without condensation

### Materials of Construction

Pump Volute	AISI 304L*	AISI 316L
Mechanical Seal	EPDM	FKM
Impellers Stage Housings Diffusers	AISI 304L	AISI 316L
Shaft	AISI 304L / AISI 318 LN	AISI 316L / AISI 318LN
O-ring for mechanical seal	EPDM (FKM gasket on request)	EPDM (FKM gasket on request)
Sleeve under the mechanical seal	AISI 316L	AISI 316L

\*304 pump volutes are NSF 61 certified

### IR Module Selection

Select	Module
	BACnet / Dual Pump
	LONworks / Dual Pump
	MODBus
	None

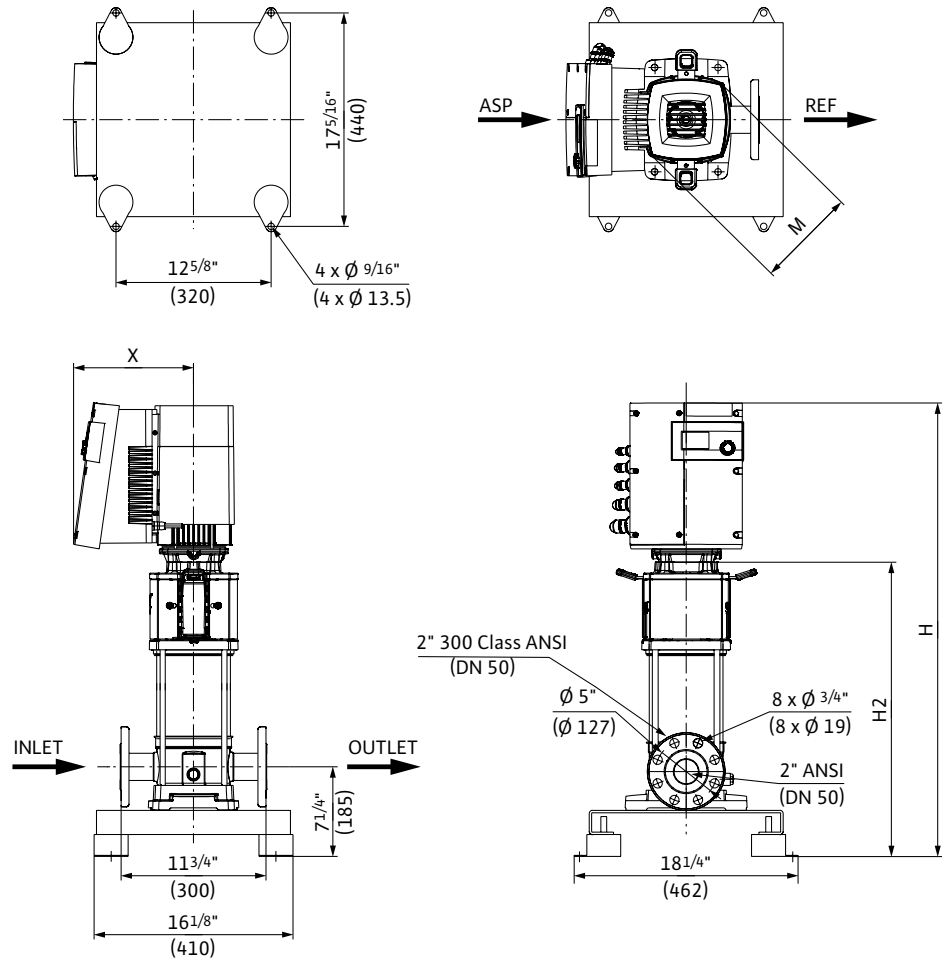
### Applications

Water Supply	Pressure Boosting
Boiler Feed	Cooling Systems
Pressure Washing	Irrigation

# Submittal Data Sheet

Multistage Pumps

## Wilo-Helix EXCEL

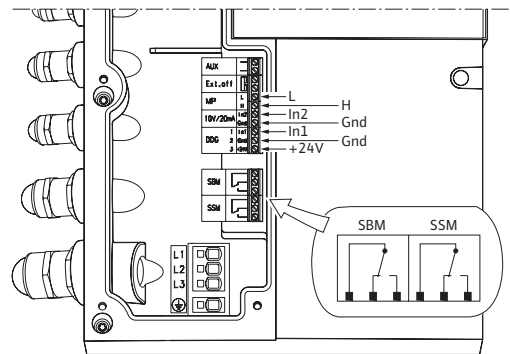


### Dimensions and Weights

Model	Dimensions - Inches (mm)				Weight lbs (kg)
	H	H2	ØM	X	
Helix EXCEL 80-04	47 1/8	31	8 3/4	10 9/16	156.5
	(1197)	(787)	(223)	(268)	(71)

### EC Motor Data (Single Motor Operation)

Model	P <sub>2</sub> Rated	Phase	Voltage	FLA	Efficiency
	hp	[~]	[V]	[A]	η <sub>m</sub> 100%
Helix EXCEL 80-04	5.7	3	460 (±10%)	6.5	95.8



# Submittal Data Sheet

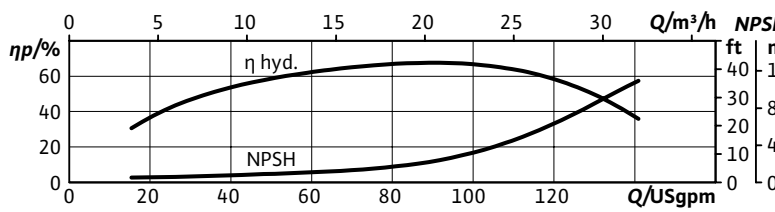
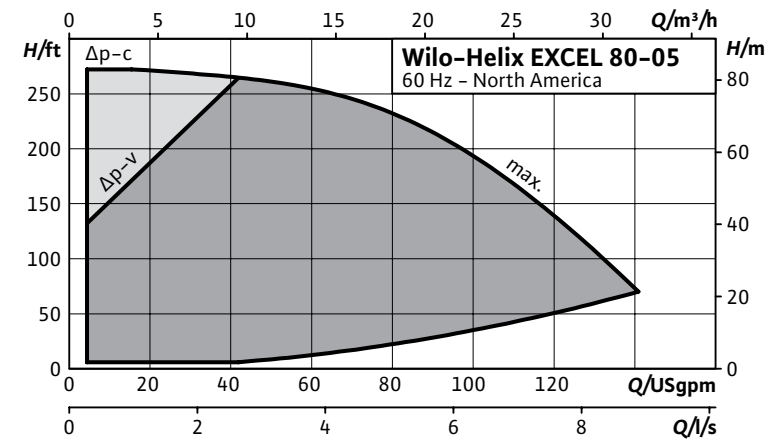
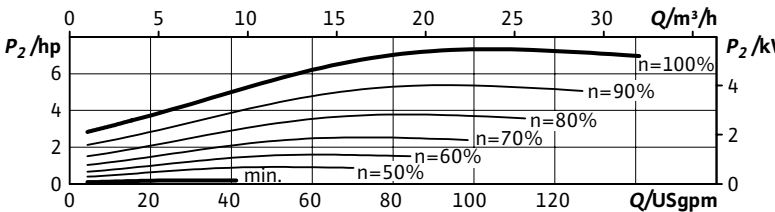
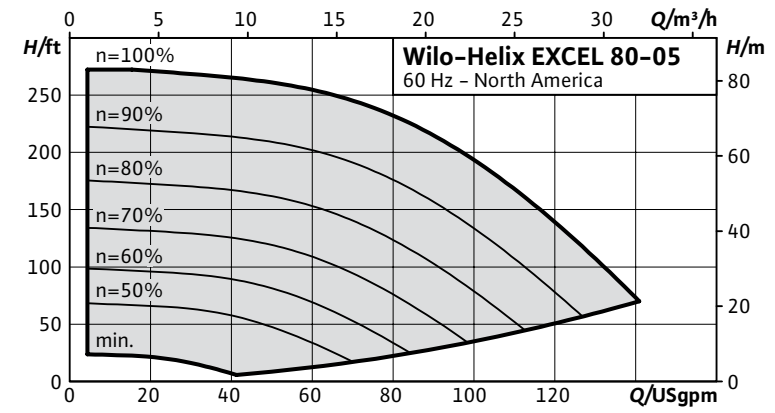
Multistage Pumps

## Wilo-Helix EXCEL



Project:			
Engineer:			
Contractor:			
Submitted By:			Date:
Approved By:			Date:

Tag #	Model #	Flow	Head	Volute	Control Mode	HP	Phase	Voltage
	Helix EXCEL 80-05					7.4	3	460



Product Info	
Brand	Wilo
Product Description	Helix Excel

Technical Data	
PEI	0.49
Liquid Temp Range	-22°F to 284°F (-30°C to +120°C)
Fluid Compatibility	Water, up to 50/50 Water-Glycol
Max Operating Pressure	232.1/362.6 PSI
Mains Voltage	460V (±10%) 60Hz
Protection Class	IP 55, Class F Insulation
Ambient Temp Range	5°F to 104°F (-15°C to 40°C)
Ambient Humidity	< 90% without condensation

Materials of Construction		
Pump Volute	AISI 304L*	AISI 316L
Mechanical Seal	EPDM	FKM
Impellers Stage Housings Diffusers	AISI 304L	AISI 316L
Shaft	AISI 304L / AISI 318 LN	AISI 316L / AISI 318LN
O-ring for mechanical seal	EPDM (FKM gasket on request)	EPDM (FKM gasket on request)
Sleeve under the mechanical seal	AISI 316L	AISI 316L

\*304 pump volutes are NSF 61 certified

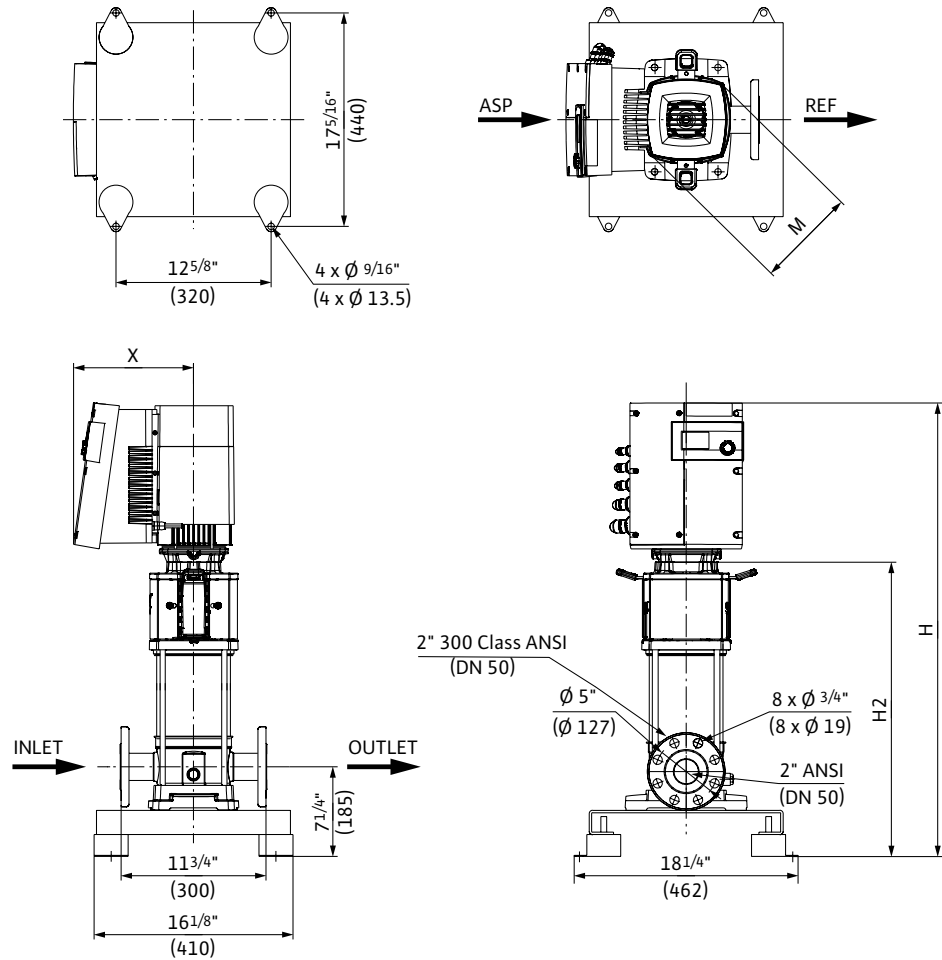
IR Module Selection	
Select	Module
	BACnet / Dual Pump
	LONworks / Dual Pump
	MODBus
	None

Applications	
Water Supply	Pressure Boosting
Boiler Feed	Cooling Systems
Pressure Washing	Irrigation

# Submittal Data Sheet

## Multistage Pumps

### Wilo-Helix EXCEL

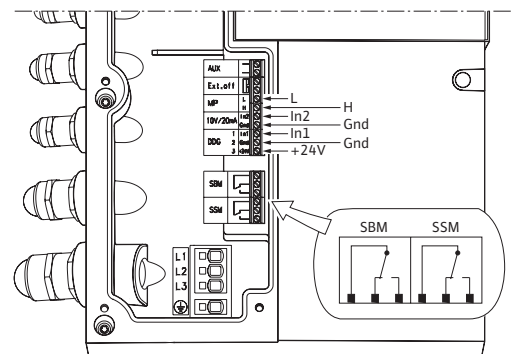


#### Dimensions and Weights

Model	Dimensions - Inches (mm)				Weight lbs (kg)
	H	H2	$\phi M$	X	
Helix EXCEL 80-05	$4\frac{9}{8}"$	$32\frac{15}{16}"$	$8\frac{3}{4}"$	$10\frac{9}{16}"$	187.4
	(1247)	(837)	(223)	(268)	(85)

#### EC Motor Data (Single Motor Operation)

Model	P <sub>2</sub> Rated	Phase	Voltage	FLA	Efficiency
	hp	[~]	[V]	[A]	$\eta_m$ 100%
Helix EXCEL 80-05	7.4	3	460 ( $\pm 10\%$ )	8.2	95.8





# Submittal Data Sheet

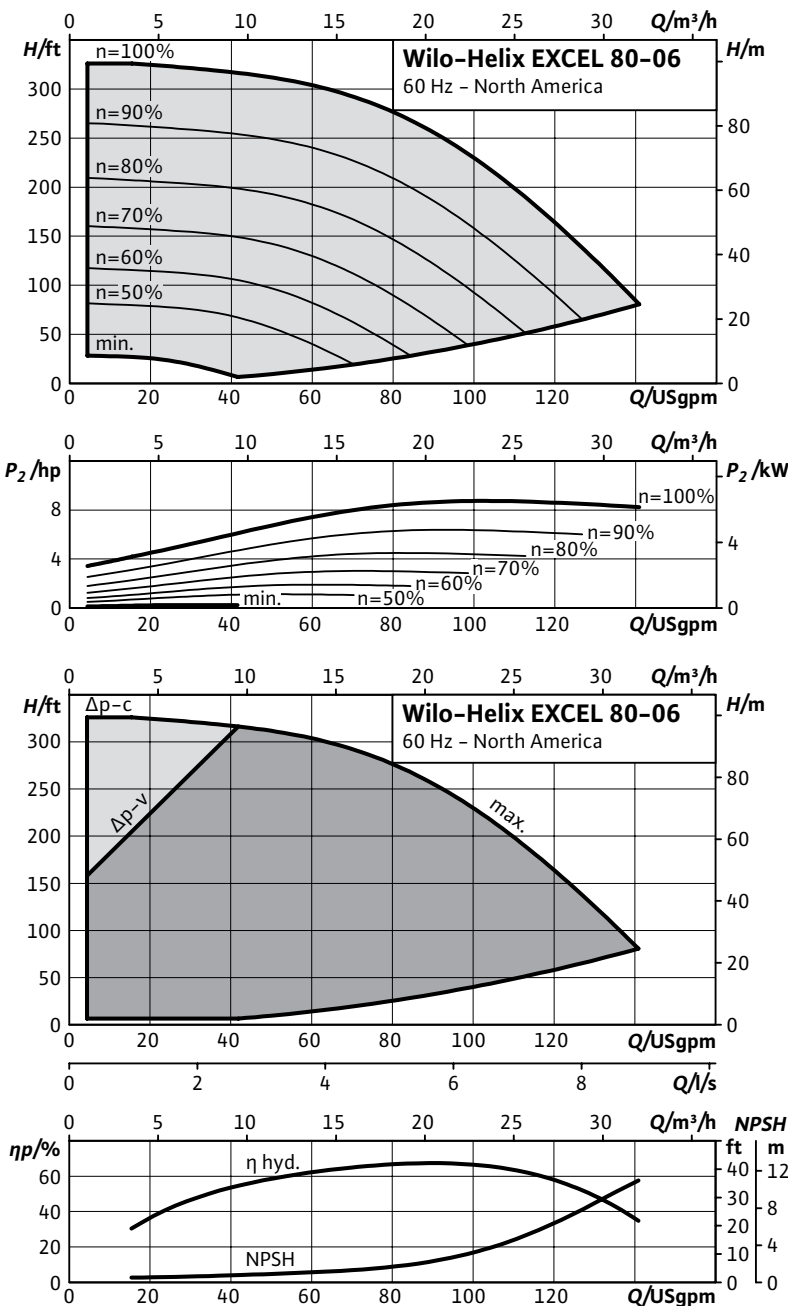
Multistage Pumps

## Wilo-Helix EXCEL



Project:			
Engineer:			
Contractor:			
Submitted By:			Date:
Approved By:			Date:

Tag #	Model #	Flow	Head	Volute	Control Mode	HP	Phase	Voltage
	Helix EXCEL 80-06					8.7	3	460



### Product Info

Brand	Wilo
Product Description	Helix Excel

### Technical Data

PEI	0.47
Liquid Temp Range	-22°F to 284°F (-30°C to +120°C)
Fluid Compatibility	Water, up to 50/50 Water-Glycol
Max Operating Pressure	232.1/362.6 PSI
Mains Voltage	460V (±10%) 60Hz
Protection Class	IP 55, Class F Insulation
Ambient Temp Range	5°F to 104°F (-15°C to 40°C)
Ambient Humidity	< 90% without condensation

### Materials of Construction

Pump Volute	AISI 304L*	AISI 316L
Mechanical Seal	EPDM	FKM
Impellers Stage Housings Diffusers	AISI 304L	AISI 316L
Shaft	AISI 304L / AISI 318 LN	AISI 316L / AISI 318LN
O-ring for mechanical seal	EPDM (FKM gasket on request)	EPDM (FKM gasket on request)
Sleeve under the mechanical seal	AISI 316L	AISI 316L

\*304 pump volutes are NSF 61 certified

### IR Module Selection

Select	Module
	BACnet / Dual Pump
	LONworks / Dual Pump
	MODBus
	None

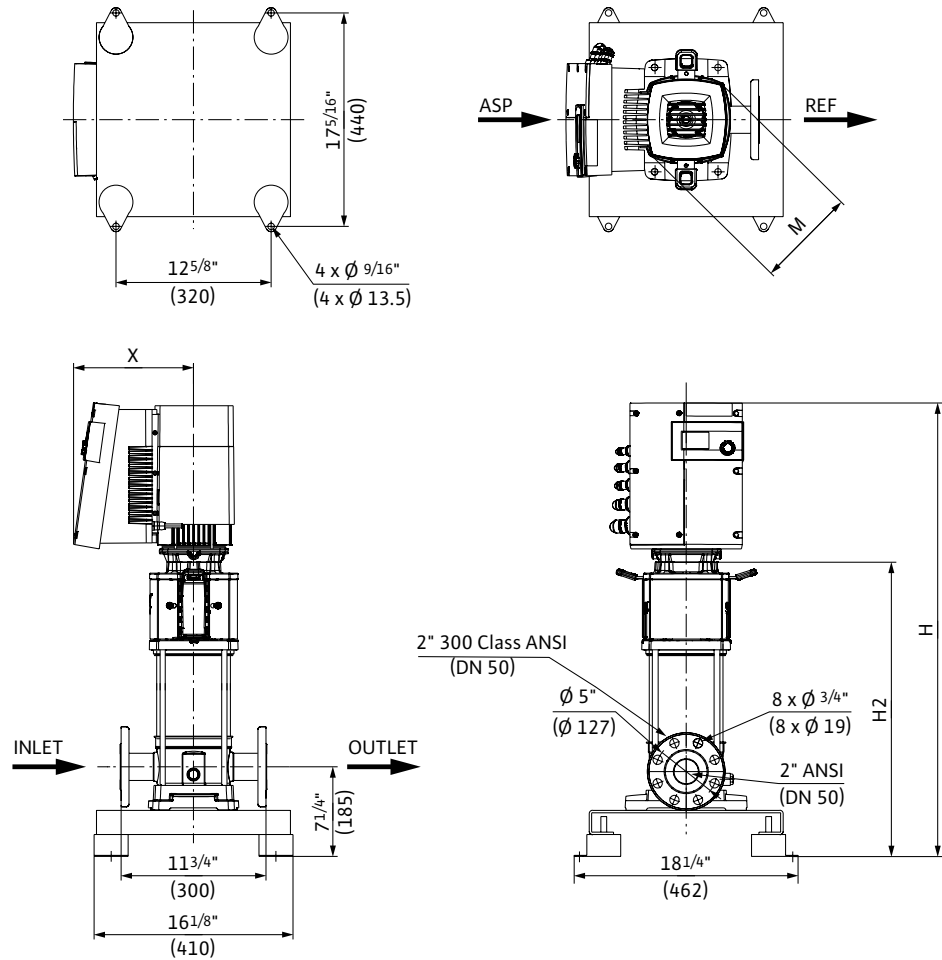
### Applications

Water Supply	Pressure Boosting
Boiler Feed	Cooling Systems
Pressure Washing	Irrigation

# Submittal Data Sheet

Multistage Pumps

## Wilo-Helix EXCEL

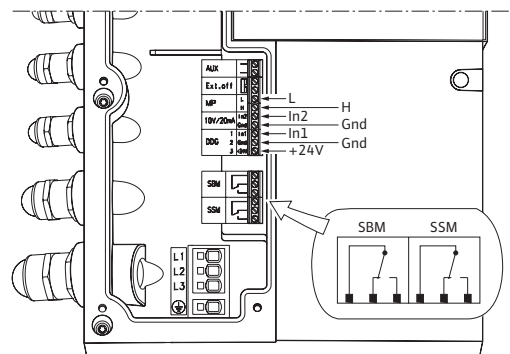


### Dimensions and Weights

Model	Dimensions - Inches (mm)				Weight lbs (kg)
	H	H2	$\phi M$	X	
Helix EXCEL 80-06	52	$34\frac{15}{16}$	$9\frac{3}{4}$	11	202.8
	(1320)	(887)	(248)	(280)	(92)

### EC Motor Data (Single Motor Operation)

Model	$P_2$ Rated	Phase	Voltage	FLA	Efficiency
	hp	[~]	[V]	[A]	$\eta_m$ 100%
Helix EXCEL 80-06	8.7	3	460 ( $\pm 10\%$ )	9.7	96.5



# Submittal Data Sheet

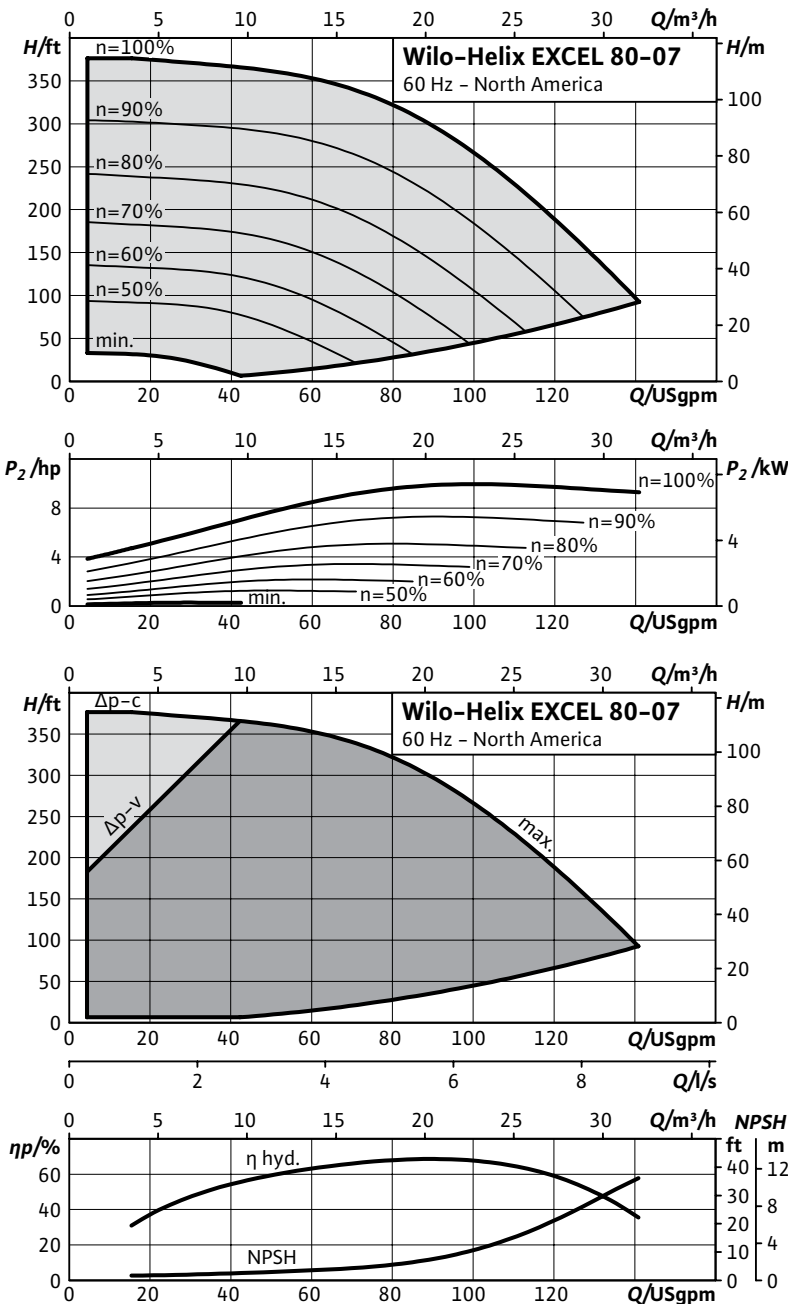
Multistage Pumps

## Wilo-Helix EXCEL



Project:			
Engineer:			
Contractor:			
Submitted By:			Date:
Approved By:			Date:

Tag #	Model #	Flow	Head	Volute	Control Mode	HP	Phase	Voltage
	Helix EXCEL 80-07					10.1	3	460



### Product Info

Brand	Wilo
Product Description	Helix Excel

### Technical Data

PEI	0.46
Liquid Temp Range	-22°F to 284°F (-30°C to +120°C)
Fluid Compatibility	Water, up to 50/50 Water-Glycol
Max Operating Pressure	232.1/362.6 PSI
Mains Voltage	460V (±10%) 60Hz
Protection Class	IP 55, Class F Insulation
Ambient Temp Range	5°F to 104°F (-15°C to 40°C)
Ambient Humidity	< 90% without condensation

### Materials of Construction

Pump Volute	AISI 304L*	AISI 316L
Mechanical Seal	EPDM	FKM
Impellers Stage Housings Diffusers	AISI 304L	AISI 316L
Shaft	AISI 304L / AISI 318 LN	AISI 316L / AISI 318LN
O-ring for mechanical seal	EPDM (FKM gasket on request)	EPDM (FKM gasket on request)
Sleeve under the mechanical seal	AISI 316L	AISI 316L

\*304 pump volutes are NSF 61 certified

### IR Module Selection

Select	Module
	BACnet / Dual Pump
	LONworks / Dual Pump
	MODBus
	None

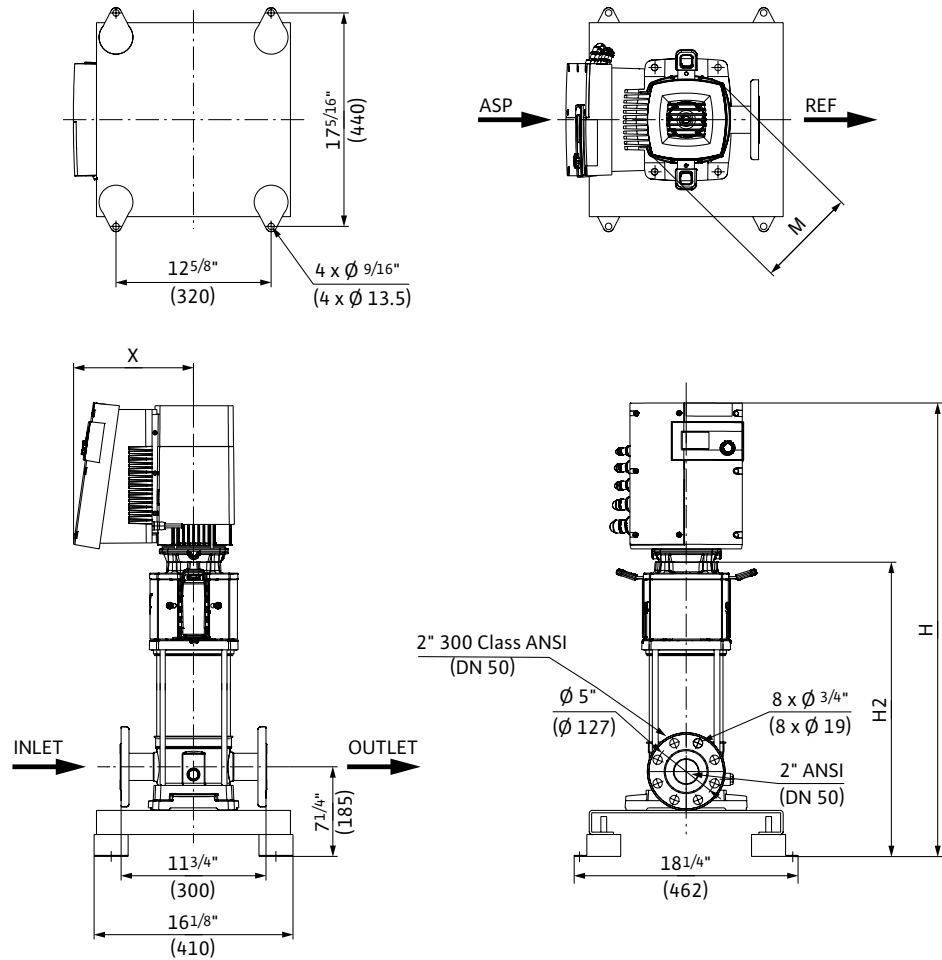
### Applications

Water Supply	Pressure Boosting
Boiler Feed	Cooling Systems
Pressure Washing	Irrigation

# Submittal Data Sheet

Multistage Pumps

## Wilo-Helix EXCEL



### Dimensions and Weights

Model	Dimensions - Inches (mm)				Weight lbs (kg)
	H	H2	ØM	X	
Helix EXCEL 80-07	53 <sup>15/16</sup>	36 <sup>7/8</sup>	9 <sup>3/4</sup>	11	205.0
	(1370)	(937)	(248)	(280)	(93)

### EC Motor Data (Single Motor Operation)

Model	P <sub>2</sub> Rated	Phase	Voltage	FLA	Efficiency
	hp	[~]	[V]	[A]	η <sub>m</sub> 100%
Helix EXCEL 80-07	10.1	3	460 (±10%)	10.9	96.4

