

# Submittal Data Sheet

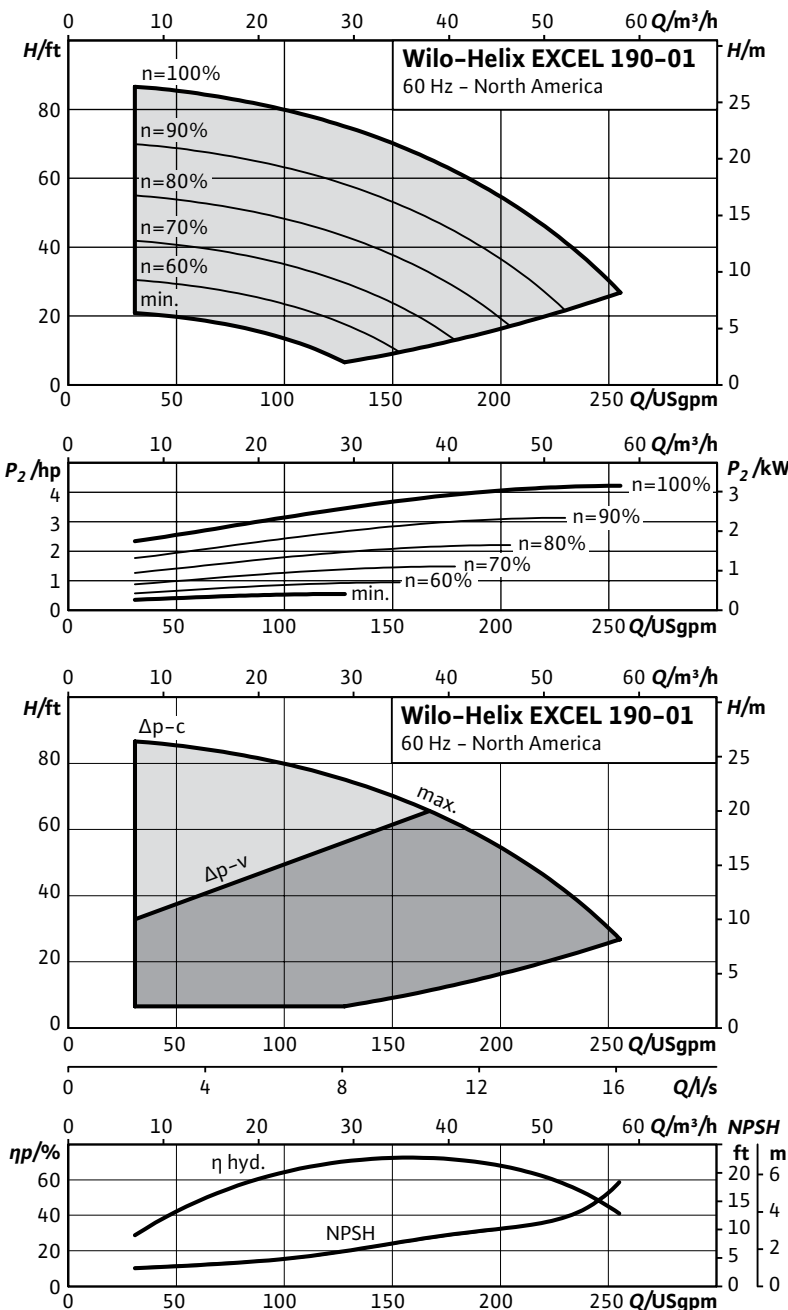
Multistage Pumps

## Wilo-Helix EXCEL



Project:							
Engineer:							
Contractor:							
Submitted By:					Date:		
Approved By:					Date:		

Tag #	Model #	Flow	Head	Volute	Control Mode	HP	Phase	Voltage
	Helix EXCEL 190-01					4.3	3	460



### Product Info

Brand	Wilo
Product Description	Helix Excel

### Technical Data

PEI	0.54
Liquid Temp Range	-4 to 248 F (-20° C to 120° C)
Fluid Compatibility	Water, up to 50/50 Water-Glycol
Max Operating Pressure	232.1/362.6 PSI
Mains Voltage	460V (±10%) 60Hz
Protection Class	IP 55, Class F Insulation
Ambient Temp Range	5°F to 104°F (-15°C to 40°C)
Ambient Humidity	< 90% without condensation

### Materials of Constructions

Pump Volute	Cataphoresis-coated grey cast iron EN-GJL 250	Stainless steel AISI316L; rotating flanges of cataphoretic coated grey cast iron EN-GJL 250
Mechanical Seal	EPDM	FKM
Impellers Stage Housings Diffusers	AISI 304L	AISI 316L
Shaft	AISI 304L / AISI 318 LN	AISI 316L / AISI 318LN
O-ring for mechanical seal	EPDM (FKM gasket on request)	EPDM (FKM gasket on request)
Sleeve under the mechanical seal	AISI 316L	AISI 316L

### IR Module

Select	Module
	BACnet /Dual Pump
	LONworks /Dual Pump
	MODBus
	None

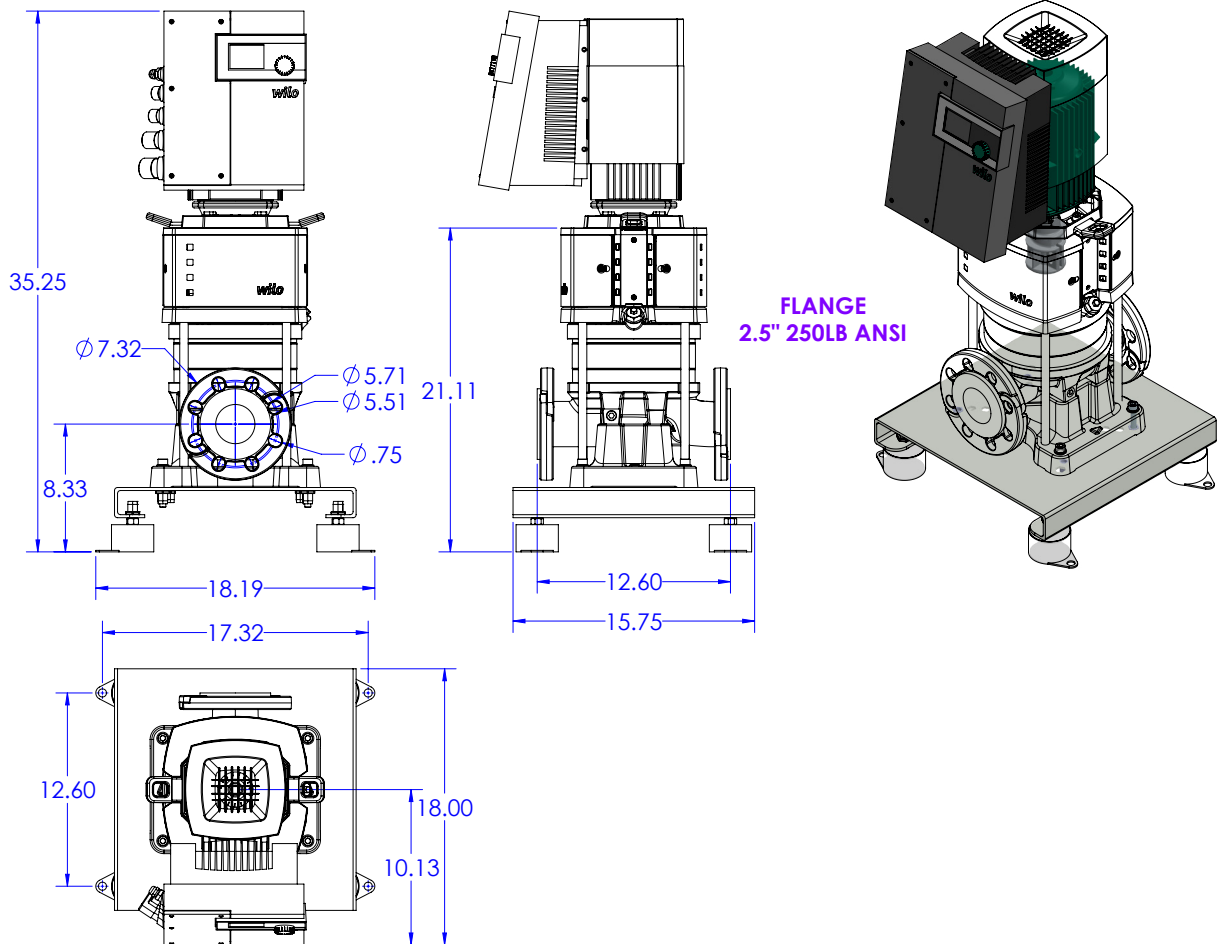
### Applications

• Water Supply	• Pressure Boosting
• Boiler Feed	• Cooling Systems
• Pressure washing	• Irrigation

# Submittal Data Sheet

Multistage Pumps

## Wilo-Helix EXCEL

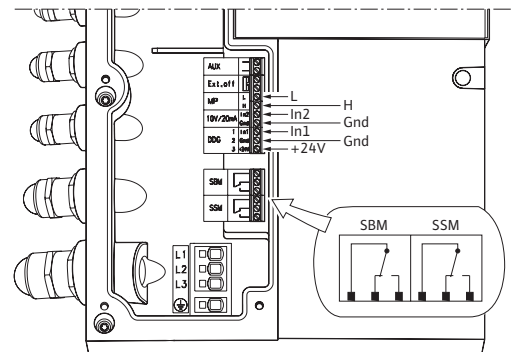


### Dimensions and Weights

Model	Dimensions - Inches (mm)				Weight lbs (kg)
	H	H2	ØM	X	
Helix EXCEL 190-01	35 1/4	22 5/16	8 3/8	9 3/4	167.5
	(895)	(567)	(206)	(248)	(76)

### EC Motor Data (Single Motor Operation)

Model	P <sub>2</sub> Rated	Phase	Voltage	FLA	Efficiency
	hp	[~]	[V]	[A]	η <sub>m</sub> 100%
Helix EXCEL 190-01	4.3	3	460 (±10%)	6	93.0



# Submittal Data Sheet

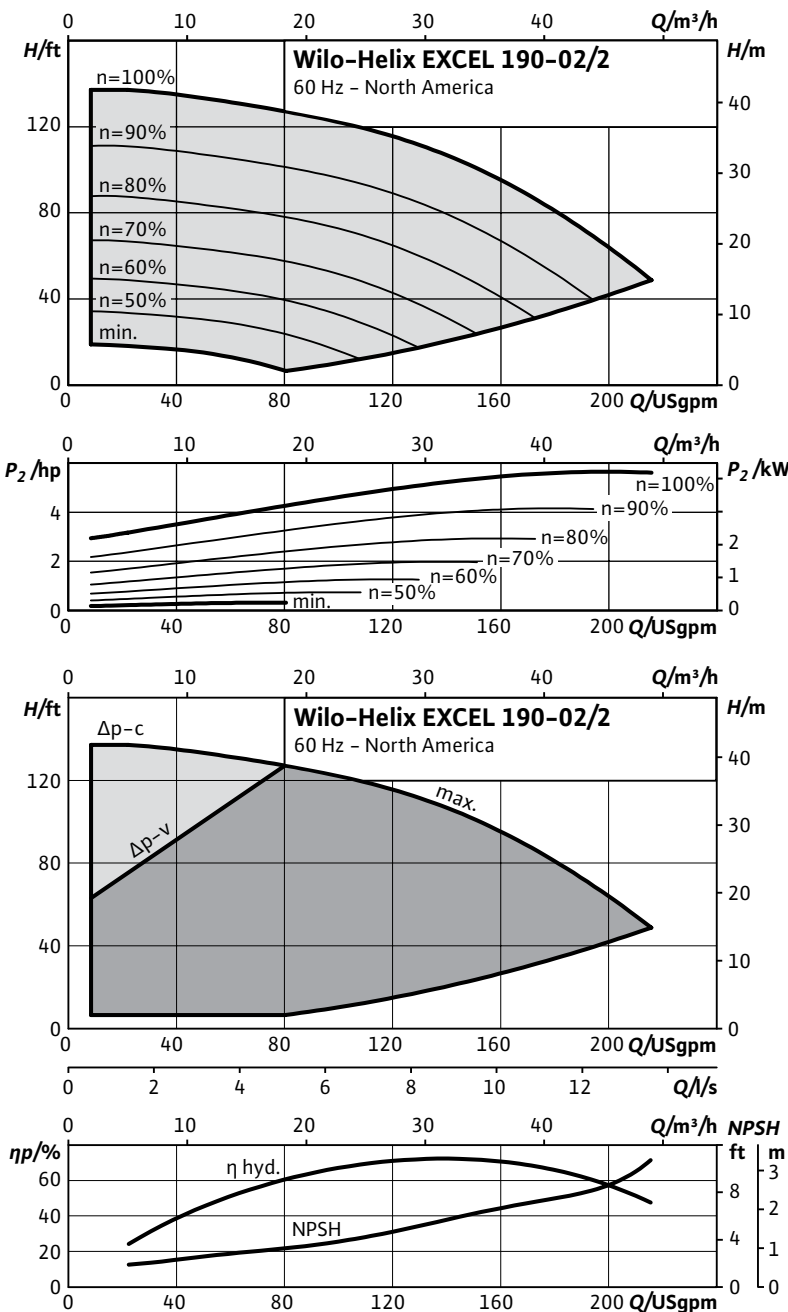
Multistage Pumps

## Wilo-Helix EXCEL



Project:	
Engineer:	
Contractor:	
Submitted By:	Date:
Approved By:	Date:

Tag #	Model #	Flow	Head	Volute	Control Mode	HP	Phase	Voltage
	Helix EXCEL 190-02/2					5.7	3	460



### Product Info

Brand	Wilo
Product Description	Helix Excel

### Technical Data

PEI	0.46
Liquid Temp Range	-4 to 248 F (-20° C to 120° C)
Fluid Compatibility	Water, up to 50/50 Water-Glycol
Max Operating Pressure	232.1/362.6 PSI
Mains Voltage	460V (±10%) 60Hz
Protection Class	IP 55, Class F Insulation
Ambient Temp Range	5°F to 104°F (-15°C to 40°C)
Ambient Humidity	< 90% without condensation

### Materials of Constructions

Pump Volute	Cataphoresis-coated grey cast iron EN-GJL 250	Stainless steel AISI316L; rotating flanges of cataphoretic coated grey cast iron EN-GJL 250
Mechanical Seal	EPDM	FKM
Impellers Stage Housings Diffusers	AISI 304L	AISI 316L
Shaft	AISI 304L / AISI 318 LN	AISI 316L / AISI 318LN
O-ring for mechanical seal	EPDM (FKM gasket on request)	EPDM (FKM gasket on request)
Sleeve under the mechanical seal	AISI 316L	AISI 316L

### IR Module

Select	Module
	BACnet /Dual Pump
	LONworks /Dual Pump
	MODBus
	None

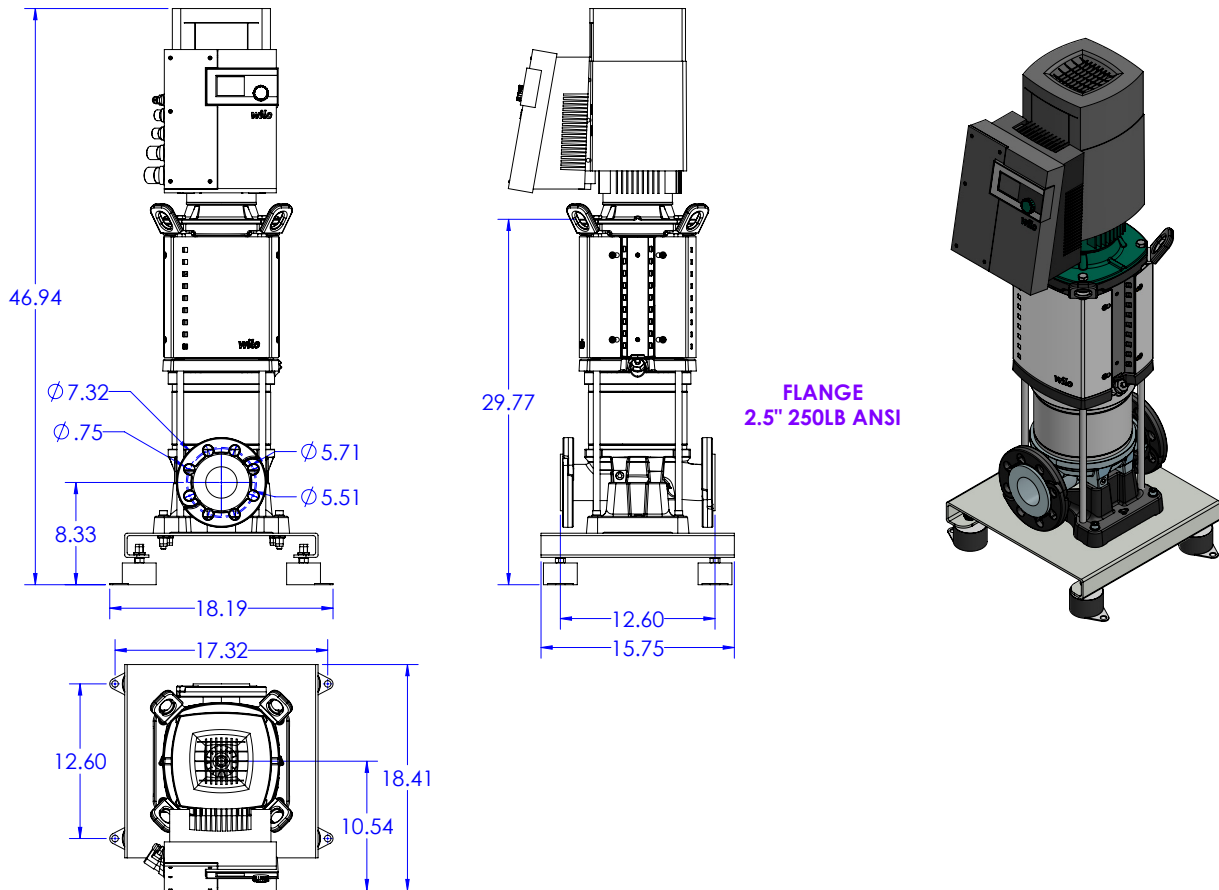
### Applications

• Water Supply	• Pressure Boosting
• Boiler Feed	• Cooling Systems
• Pressure washing	• Irrigation

# Submittal Data Sheet

Multistage Pumps

## Wilo-Helix EXCEL

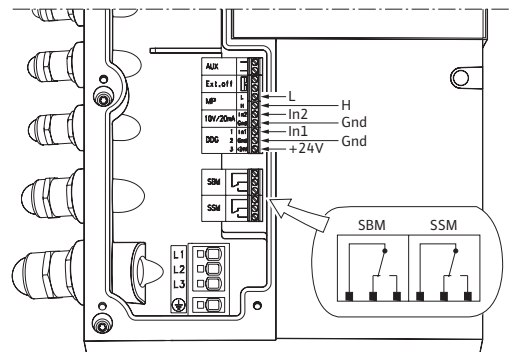


### Dimensions and Weights

Model	Dimensions - Inches (mm)				Weight lbs (kg)
	H	H2	ØM	X	
Helix EXCEL 190-02/2	46 <sup>1/4</sup>	30 <sup>1/16</sup>	8 <sup>3/4</sup>	10 <sup>9/16</sup>	185
	(1174)	(764)	(223)	(268)	(84)

### EC Motor Data (Single Motor Operation)

Model	P <sub>2</sub> Rated	Phase	Voltage	FLA	Efficiency
	hp	[~]	[V]	[A]	η <sub>m</sub> 100%
Helix EXCEL 190-02/2	5.7	3	460 (±10%)	6.5	95.8



# Submittal Data Sheet

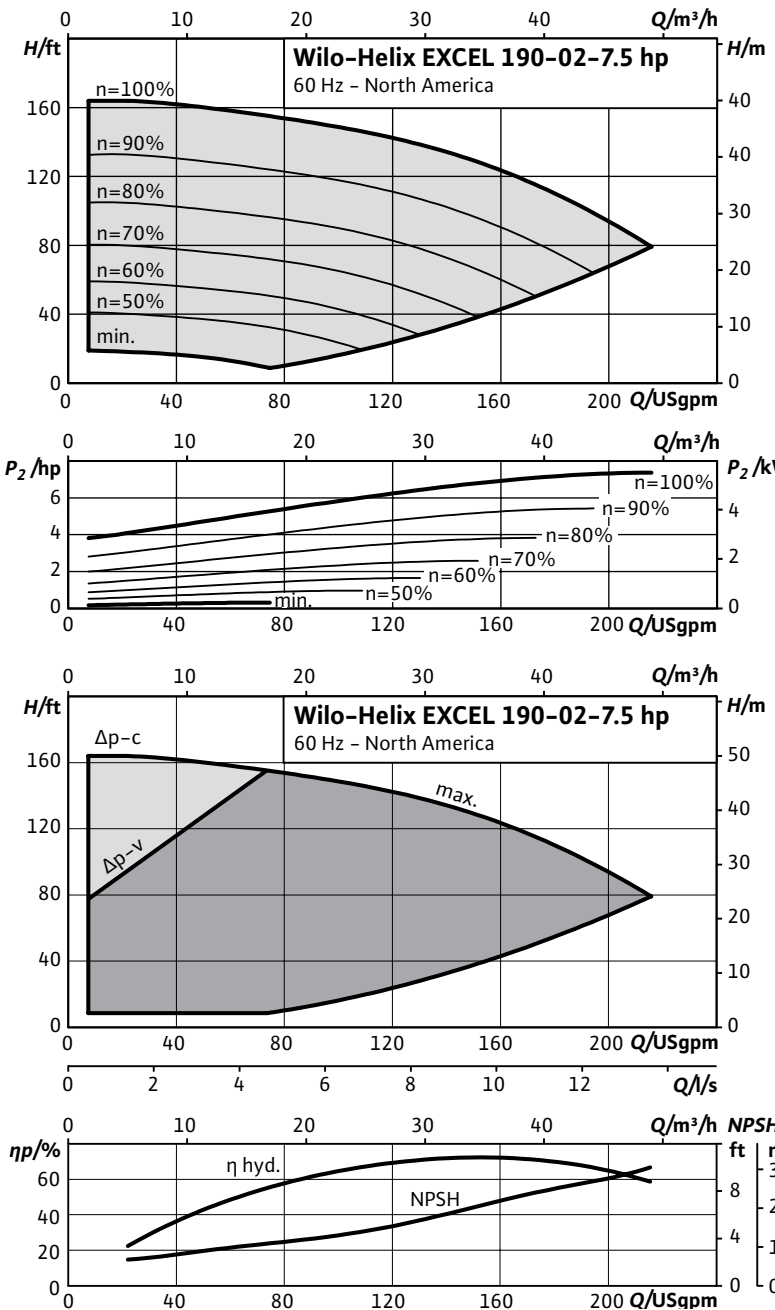
Multistage Pumps

## Wilo-Helix EXCEL



Project:			
Engineer:			
Contractor:			
Submitted By:			Date:
Approved By:			Date:

Tag #	Model #	Flow	Head	Volute	Control Mode	HP	Phase	Voltage
	Helix EXCEL 190-02					7.5	3	460



### Product Info

Brand	Wilo
Product Description	Helix Excel

### Technical Data

PEI	0.46
Liquid Temp Range	-4 to 248 F (-20° C to 120° C)
Fluid Compatibility	Water, up to 50/50 Water-Glycol
Max Operating Pressure	232.1/362.6 PSI
Mains Voltage	460V (±10%) 60Hz
Protection Class	IP 55, Class F Insulation
Ambient Temp Range	5°F to 104°F (-15°C to 40°C)
Ambient Humidity	< 90% without condensation

### Materials of Constructions

Pump Volute	Cataphoresis-coated grey cast iron EN-GJL 250	Stainless steel AISI316L; rotating flanges of cataphoretic coated grey cast iron EN-GJL 250
Mechanical Seal	EPDM	FKM
Impellers Stage Housings Diffusers	AISI 304L	AISI 316L
Shaft	AISI 304L / AISI 318 LN	AISI 316L / AISI 318LN
O-ring for mechanical seal	EPDM (FKM gasket on request)	EPDM (FKM gasket on request)
Sleeve under the mechanical seal	AISI 316L	AISI 316L

### IR Module

Select	Module
	BACnet / Dual Pump
	LONworks / Dual Pump
	MODBus
	None

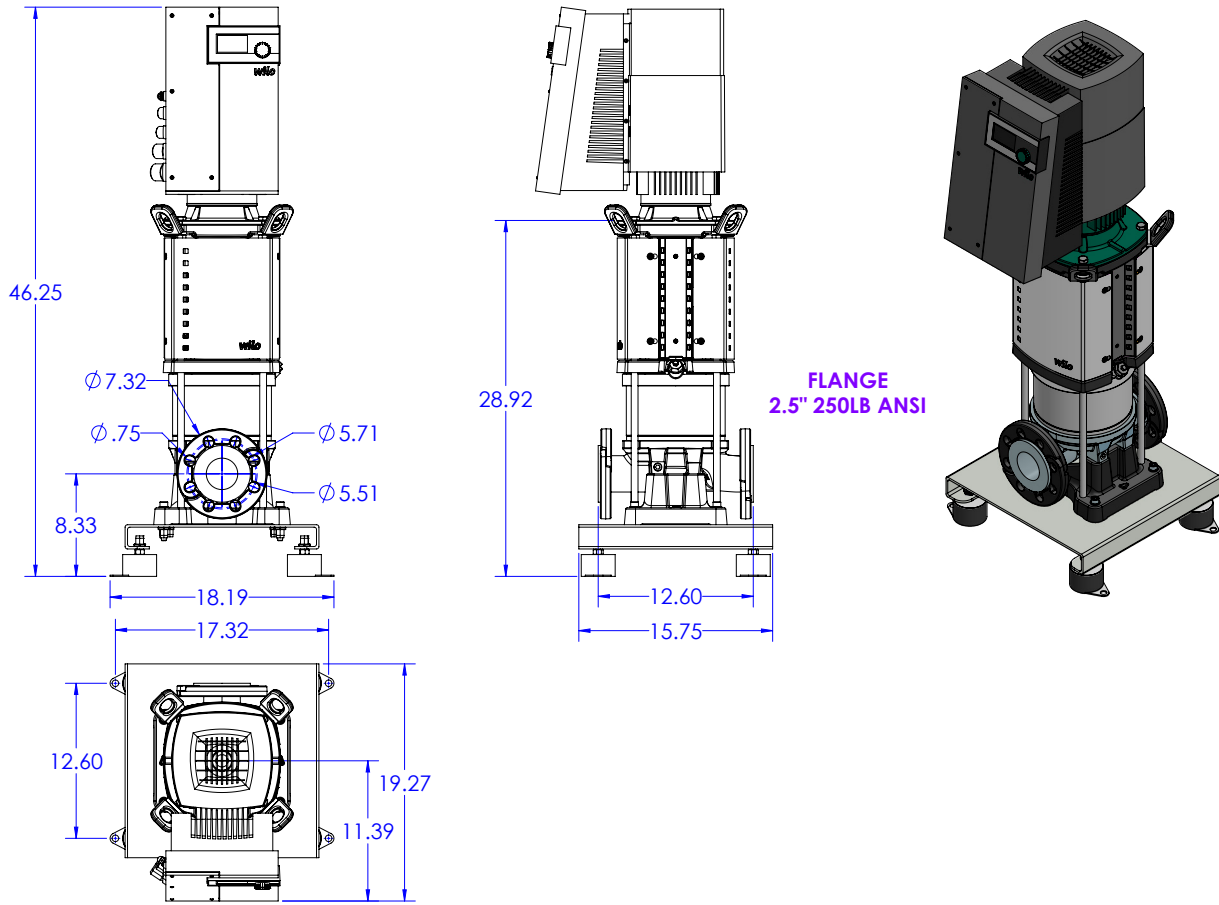
### Applications

• Water Supply	• Pressure Boosting
• Boiler Feed	• Cooling Systems
• Pressure washing	• Irrigation

# Submittal Data Sheet

Multistage Pumps

## Wilo-Helix EXCEL

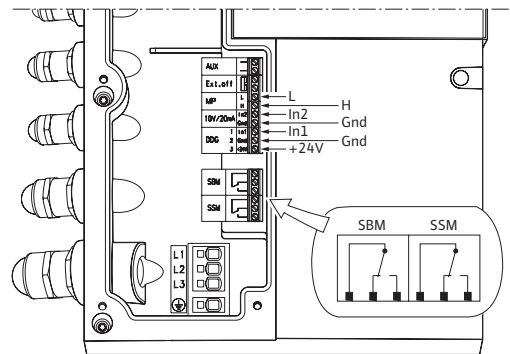


### Dimensions and Weights

Model	Dimensions - Inches (mm)				Weight lbs (kg)
	H	H2	ØM	X	
Helix EXCEL 190-02-7.5	46 <sup>1/4</sup>	30 <sup>1/16</sup>	8 <sup>3/4</sup>	10 <sup>9/16</sup>	218.3
	(1174)	(764)	(223)	(268)	(99)

### EC Motor Data (Single Motor Operation)

Model	P <sub>2</sub> Rated	Phase	Voltage	FLA	Efficiency
	hp	[~]	[V]	[A]	η <sub>m</sub> 100%
Helix EXCEL 190-02-7.5	7.5	3	460 (±10%)	8.2	95.8



# Submittal Data Sheet

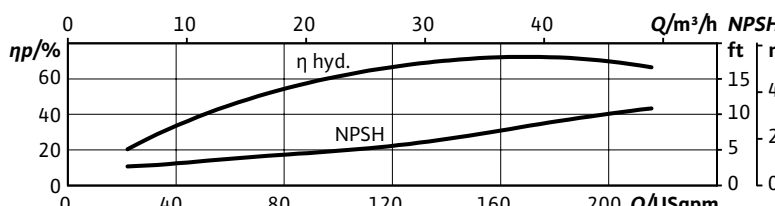
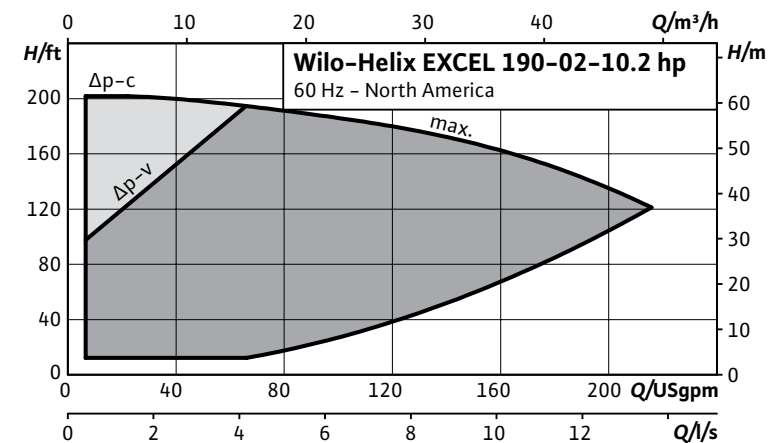
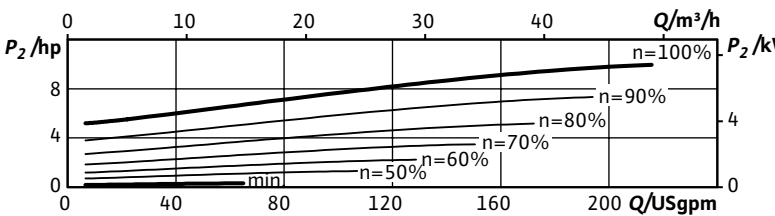
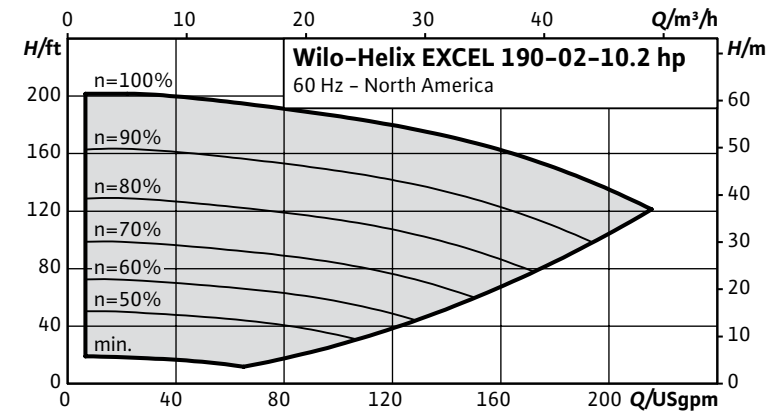
Multistage Pumps

## Wilo-Helix EXCEL



Project:			
Engineer:			
Contractor:			
Submitted By:			Date:
Approved By:			Date:

Tag #	Model #	Flow	Head	Volute	Control Mode	HP	Phase	Voltage
	Helix EXCEL 190-02					10.2	3	460



### Product Info

Brand	Wilo
Product Description	Helix Excel

### Technical Data

PEI	0.45
Liquid Temp Range	-4 to 248 F (-20° C to 120° C)
Fluid Compatibility	Water, up to 50/50 Water-Glycol
Max Operating Pressure	232.1/362.6 PSI
Mains Voltage	460V (±10%) 60Hz
Protection Class	IP 55, Class F Insulation
Ambient Temp Range	5°F to 104°F (-15°C to 40°C)
Ambient Humidity	< 90% without condensation

### Materials of Constructions

Pump Volute	Cataphoresis-coated grey cast iron EN-GJL 250	Stainless steel AISI316L; rotating flanges of cataphoretic coated grey cast iron EN-GJL 250
Mechanical Seal	EPDM	FKM
Impellers Stage Housings Diffusers	AISI 304L	AISI 316L
Shaft	AISI 304L / AISI 318 LN	AISI 316L / AISI 318LN
O-ring for mechanical seal	EPDM (FKM gasket on request)	EPDM (FKM gasket on request)
Sleeve under the mechanical seal	AISI 316L	AISI 316L

### IR Module

Select	Module
	BACnet /Dual Pump
	LONworks /Dual Pump
	MODBus
	None

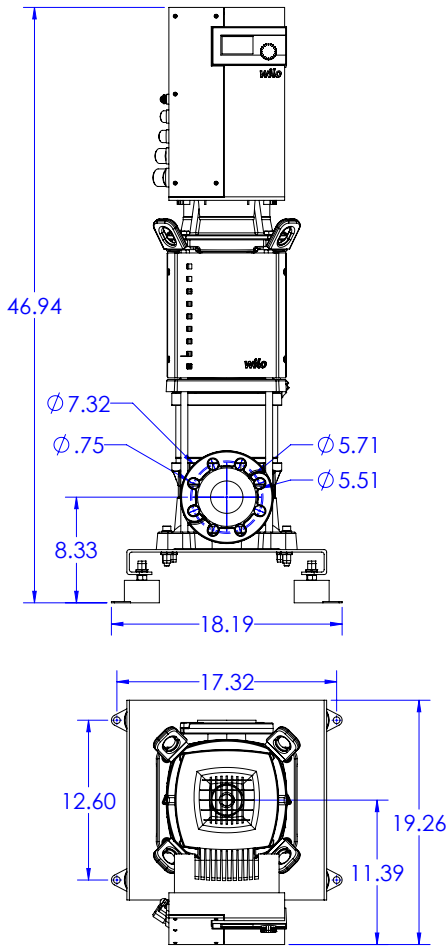
### Applications

• Water Supply	• Pressure Boosting
• Boiler Feed	• Cooling Systems
• Pressure washing	• Irrigation

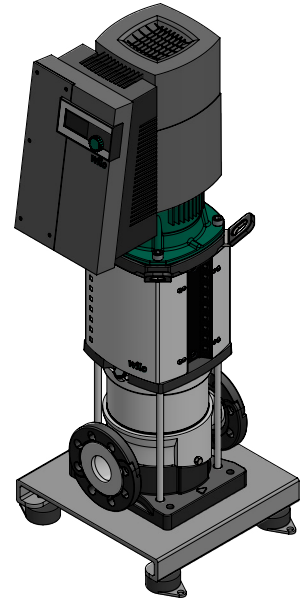
# Submittal Data Sheet

Multistage Pumps

## Wilo-Helix EXCEL



FLANGE  
2.5" 250LB ANSI



### Dimensions and Weights

Model	Dimensions - Inches (mm)				Weight lbs (kg)
	H	H2	$\phi M$	X	
Helix EXCEL 190-02-10.2	47	29 <sup>15/16</sup>	9 <sup>3/4</sup>	11	260.1
	(1193)	(760)	(248)	(280)	(118)

### EC Motor Data (Single Motor Operation)

Model	P <sub>2</sub> Rated	Phase	Voltage	FLA	Efficiency
	hp	[~]	[V]	[A]	$\eta_m$ 100%
Helix EXCEL 190-02-10.2	10.2	3	460 ( $\pm 10\%$ )	10.9	96.4

