

Submittal Data Sheet

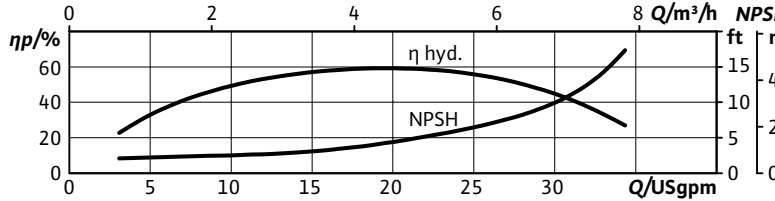
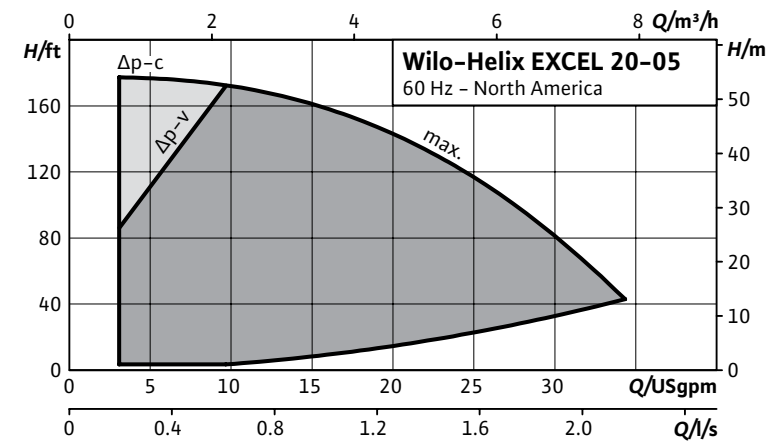
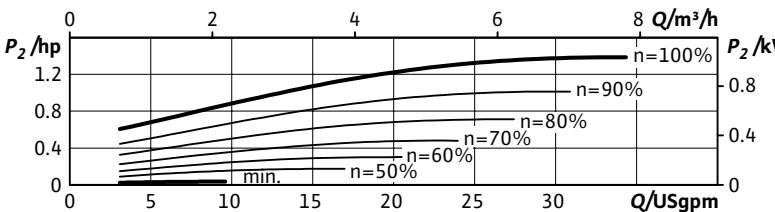
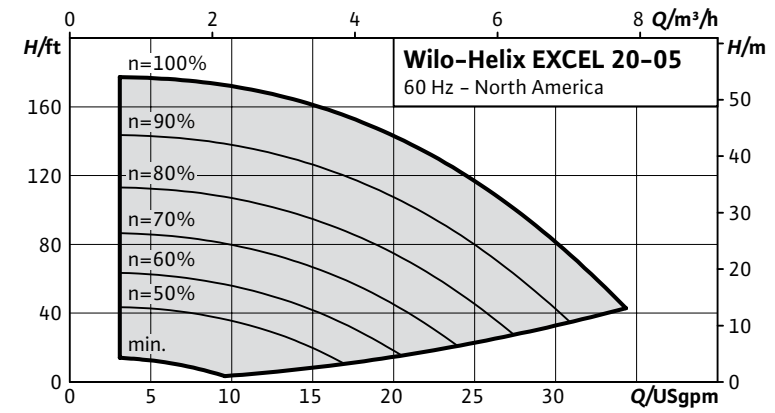
Multistage Pumps

Wilo-Helix EXCEL



Project:	
Engineer:	
Contractor:	
Submitted By:	Date:
Approved By:	Date:

Tag #	Model #	Flow	Head	Volute	Control Mode	HP	Phase	Voltage
	Helix EXCEL 20-05					1.5	3	460



Product Info

Brand	Wilo
Product Description	Helix Excel

Technical Data

Liquid Temp Range	-22°F to 284°F (-30°C to +120°C)
Fluid Compatibility	Water, up to 50/50 Water-Glycol
Max Operating Pressure	232.1/362.6 PSI
Mains Voltage	460V (±10%) 60Hz
Protection Class	IP 55, Class F Insulation
Ambient Temp Range	5°F to 104°F (-15°C to 40°C)
Ambient Humidity	< 90% without condensation

Materials of Construction

Pump Volute	AISI 304L*	AISI 316L
Mechanical Seal	EPDM	FKM
Impellers Stage Housings Diffusers	AISI 304L	AISI 316L
Shaft	AISI 304L / AISI 318 LN	AISI 316L / AISI 318LN
O-ring for mechanical seal	EPDM (FKM gasket on request)	EPDM (FKM gasket on request)
Sleeve under the mechanical seal	AISI 316L	AISI 316L

*304 pump volutes are NSF 61 certified

IR Module Selection

Select	Module
	BACnet / Dual Pump
	LONworks / Dual Pump
	MODBus
	None

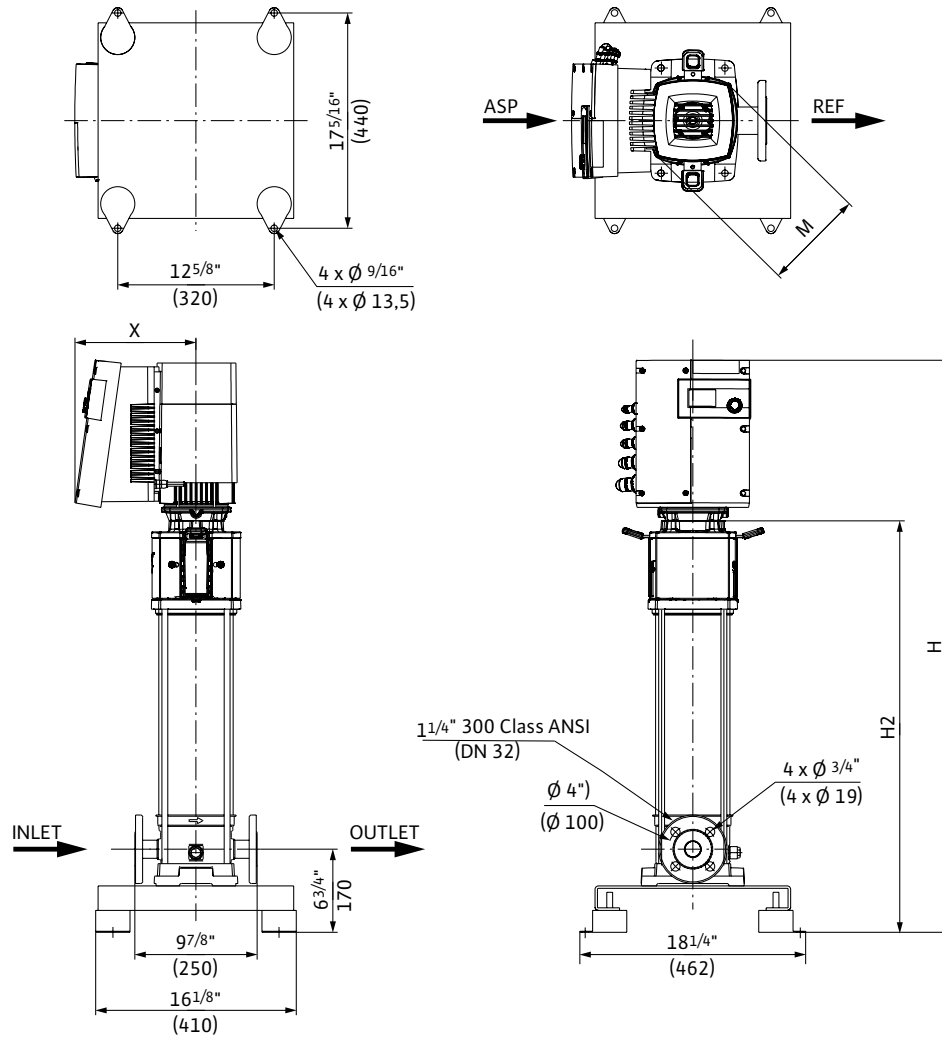
Applications

Water Supply	Pressure Boosting
Boiler Feed	Cooling Systems
Pressure Washing	Irrigation

Submittal Data Sheet

Multistage Pumps

Wilo-Helix EXCEL

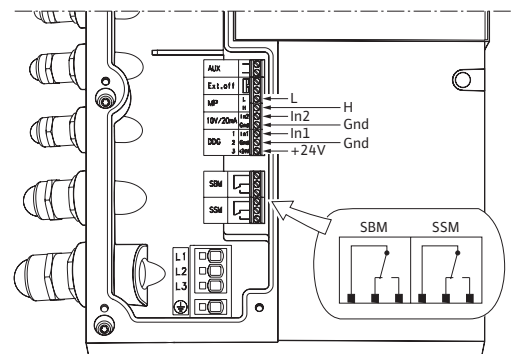


Dimensions and Weights

Model	Dimensions - Inches (mm)				Weight lbs (kg)
	H	H ₂	ØM	X	
Helix EXCEL 20-05	$35\frac{3}{16}$	$22\frac{5}{16}$	$8\frac{3}{8}$	$9\frac{3}{4}$	108.0
	(894)	(566)	(206)	(248)	(49)

EC Motor Data (Single Motor Operation)

Model	P ₂ Rated	Phase	Voltage	FLA	Efficiency
	hp	[~]	[V]	[A]	η _m 100%
Helix EXCEL 20-05	1.5	3	460 (±10%)	1.76	92.0



Submittal Data Sheet

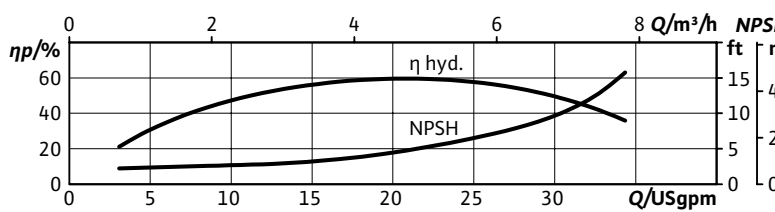
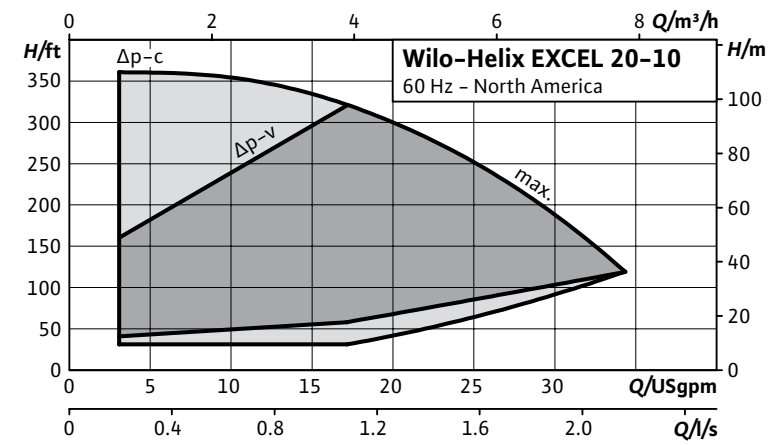
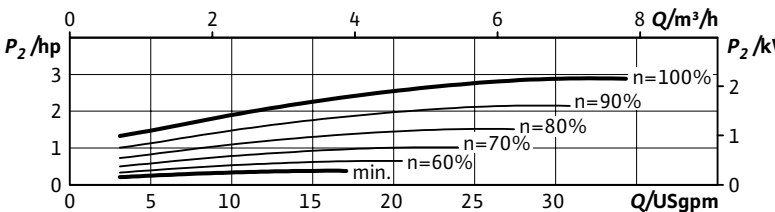
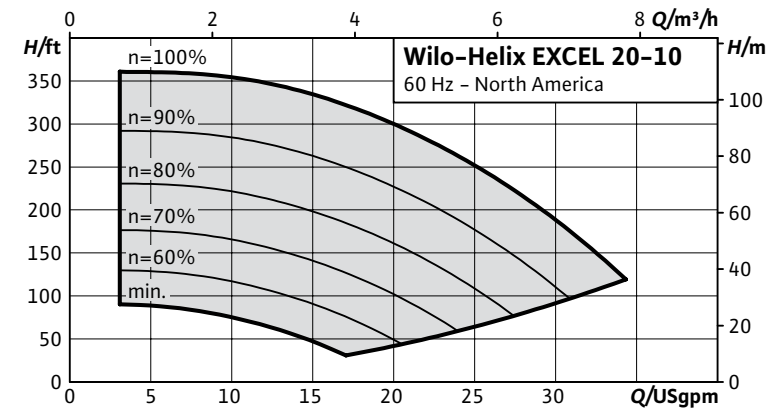
Multistage Pumps

Wilo-Helix EXCEL



Project:			
Engineer:			
Contractor:			
Submitted By:			Date:
Approved By:			Date:

Tag #	Model #	Flow	Head	Volute	Control Mode	HP	Phase	Voltage
	Helix EXCEL 20-10					3	3	460



Product Info

Brand	Wilo
Product Description	Helix Excel

Technical Data

Liquid Temp Range	-22°F to 284°F (-30°C to +120°C)
Fluid Compatibility	Water, up to 50/50 Water-Glycol
Max Operating Pressure	232.1/362.6 PSI
Mains Voltage	460V (±10%) 60Hz
Protection Class	IP 55, Class F Insulation
Ambient Temp Range	5°F to 104°F (-15°C to 40°C)
Ambient Humidity	< 90% without condensation

Materials of Construction

Pump Volute	AISI 304L*	AISI 316L
Mechanical Seal	EPDM	FKM
Impellers Stage Housings Diffusers	AISI 304L	AISI 316L
Shaft	AISI 304L / AISI 318 LN	AISI 316L / AISI 318LN
O-ring for mechanical seal	EPDM (FKM gasket on request)	EPDM (FKM gasket on request)
Sleeve under the mechanical seal	AISI 316L	AISI 316L

*304 pump volutes are NSF 61 certified

IR Module Selection

Select	Module
	BACnet / Dual Pump
	LONworks / Dual Pump
	MODBus
	None

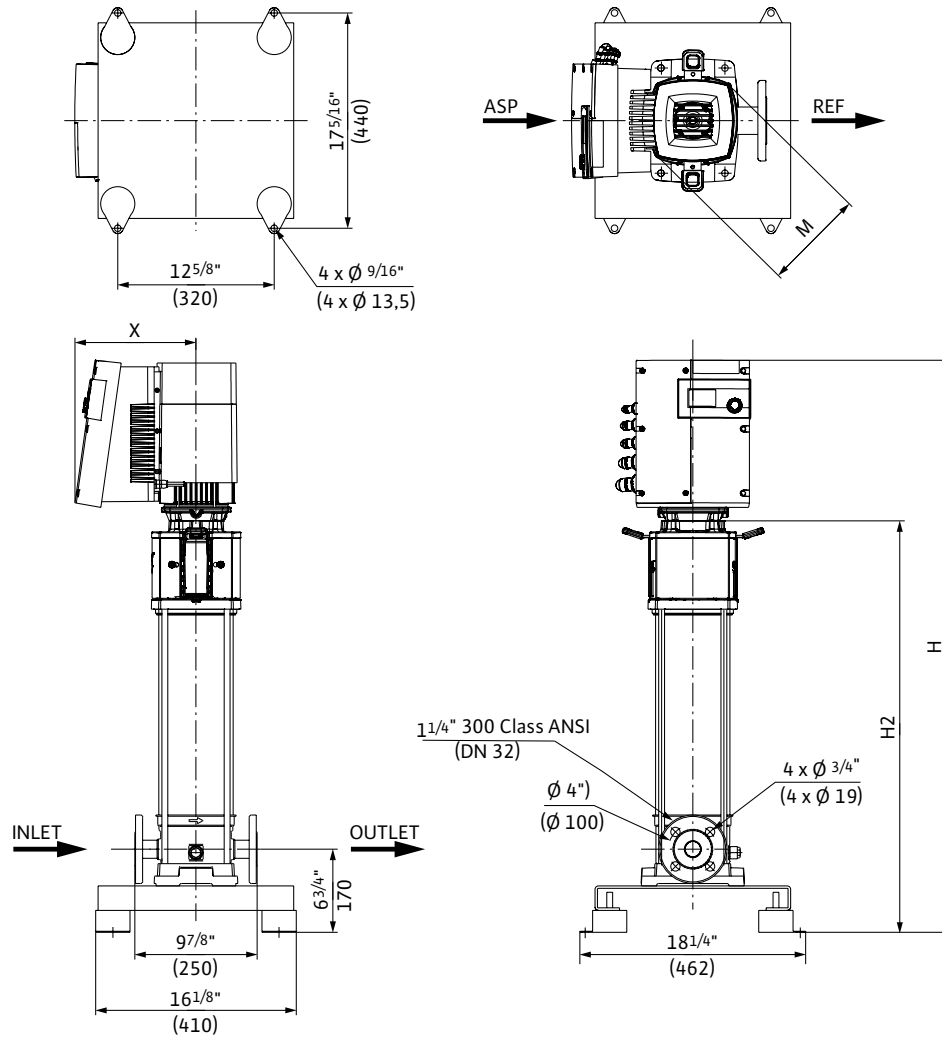
Applications

Water Supply	Pressure Boosting
Boiler Feed	Cooling Systems
Pressure Washing	Irrigation

Submittal Data Sheet

Multistage Pumps

Wilo-Helix EXCEL

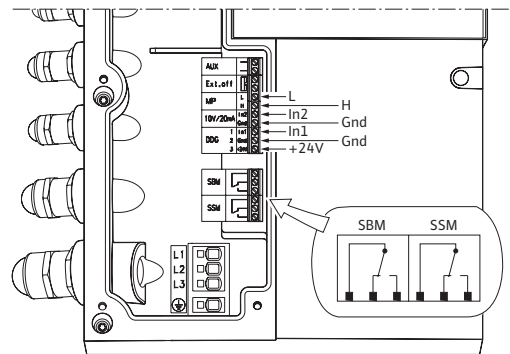


Dimensions and Weights

Model	Dimensions - Inches (mm)				Weight lbs (kg)
	H	H ₂	ØM	X	
Helix EXCEL 20-10	40 ^{1/2}	27 ^{5/8}	8 ^{3/8}	9 ^{3/4}	122.4
	(1029)	(701)	(206)	(248)	55.5

EC Motor Data (Single Motor Operation)

Model	P ₂ Rated	Phase	Voltage	FLA	Efficiency
	hp	[~]	[V]	[A]	η _m 100%
Helix EXCEL 20-10	3.0	3	460 (±10%)	4.4	93.0



Submittal Data Sheet

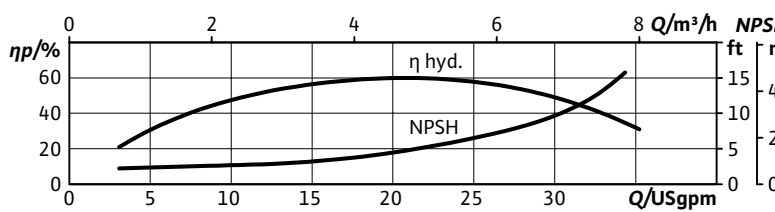
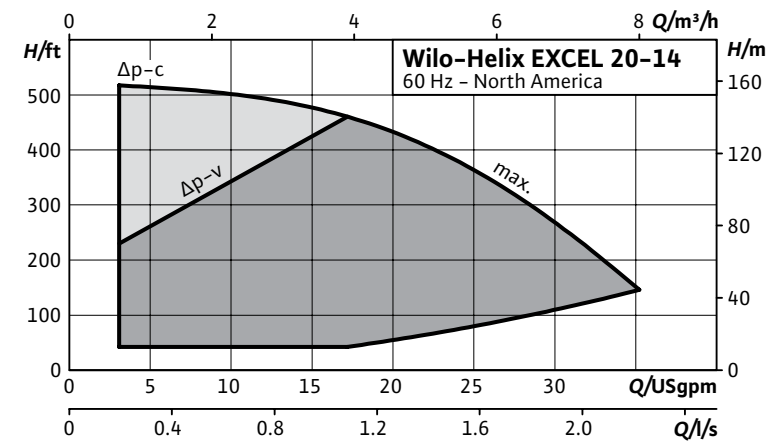
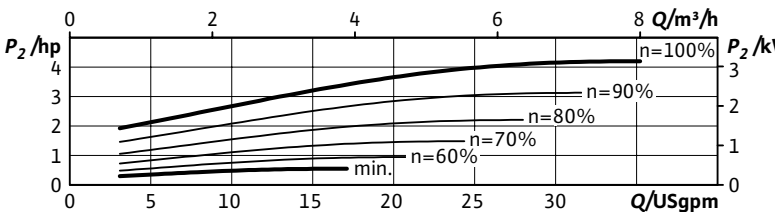
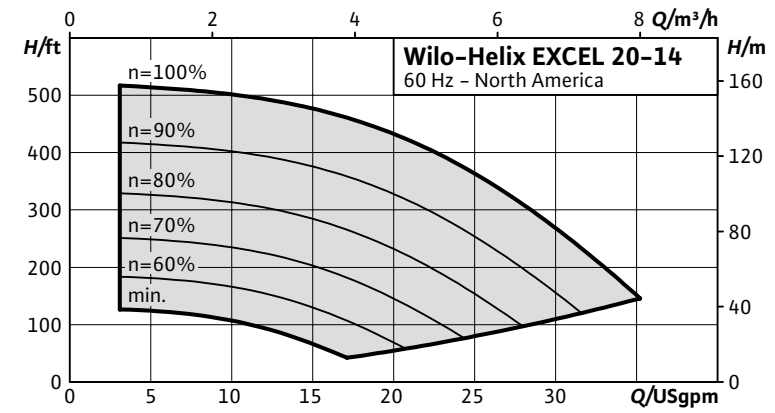
Multistage Pumps

Wilo-Helix EXCEL



Project:			
Engineer:			
Contractor:			
Submitted By:			Date:
Approved By:			Date:

Tag #	Model #	Flow	Head	Volute	Control Mode	HP	Phase	Voltage
	Helix EXCEL 20-14					4.3	3	460



Product Info

Brand	Wilo
Product Description	Helix Excel

Technical Data

Liquid Temp Range	-22°F to 284°F (-30°C to +120°C)
Fluid Compatibility	Water, up to 50/50 Water-Glycol
Max Operating Pressure	232.1/362.6 PSI
Mains Voltage	460V (±10%) 60Hz
Protection Class	IP 55, Class F Insulation
Ambient Temp Range	5°F to 104°F (-15°C to 40°C)
Ambient Humidity	< 90% without condensation

Materials of Construction

Pump Volute	AISI 304L*	AISI 316L
Mechanical Seal	EPDM	FKM
Impellers Stage Housings Diffusers	AISI 304L	AISI 316L
Shaft	AISI 304L / AISI 318 LN	AISI 316L / AISI 318LN
O-ring for mechanical seal	EPDM (FKM gasket on request)	EPDM (FKM gasket on request)
Sleeve under the mechanical seal	AISI 316L	AISI 316L

*304 pump volutes are NSF 61 certified

IR Module Selection

Select	Module
	BACnet / Dual Pump
	LONworks / Dual Pump
	MODBus
	None

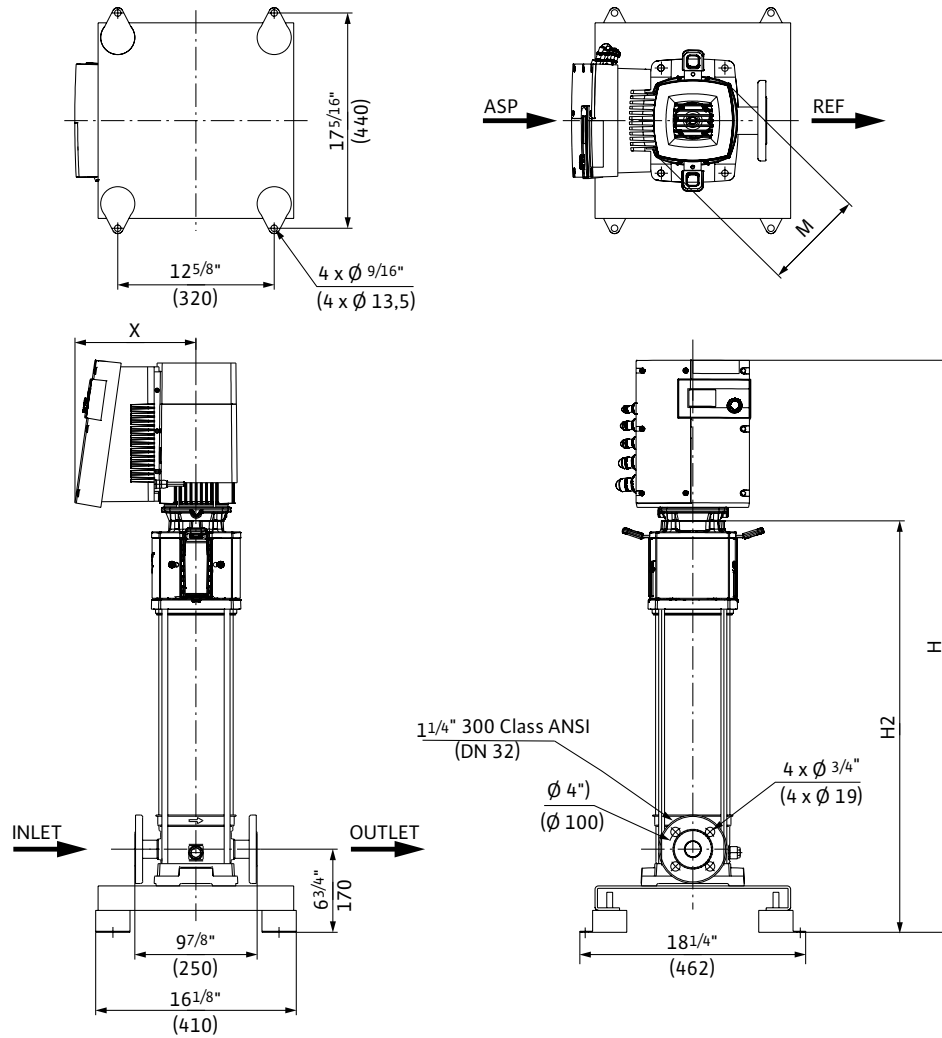
Applications

Water Supply	Pressure Boosting
Boiler Feed	Cooling Systems
Pressure Washing	Irrigation

Submittal Data Sheet

Multistage Pumps

Wilo-Helix EXCEL

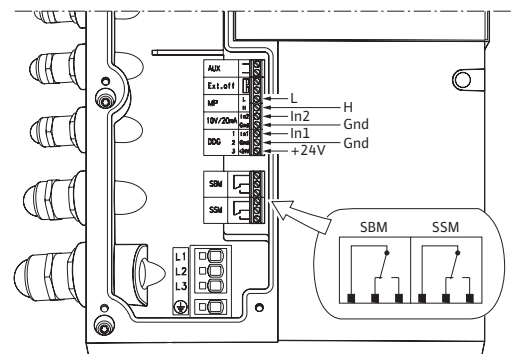


Dimensions and Weights

Model	Dimensions - Inches (mm)				Weight lbs (kg)
	H	H2	$\varnothing M$	X	
Helix EXCEL 20-14	$44\frac{7}{16}$	$31\frac{9}{16}$	$8\frac{3}{8}$	$9\frac{3}{4}$	125.7
	(1129)	(801)	(206)	(248)	(57)

EC Motor Data (Single Motor Operation)

Model	P_2 Rated	Phase	Voltage	FLA	Efficiency
	hp	[~]	[V]	[A]	η_m 100%
Helix EXCEL 20-14	4.3	3	460 ($\pm 10\%$)	6.0	93.0



Submittal Data Sheet

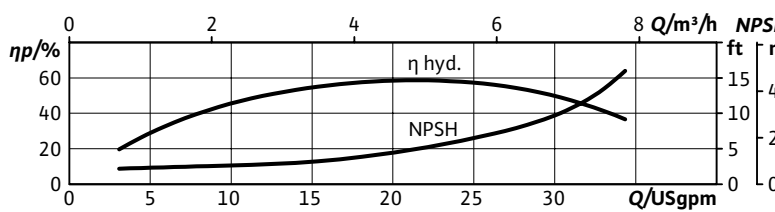
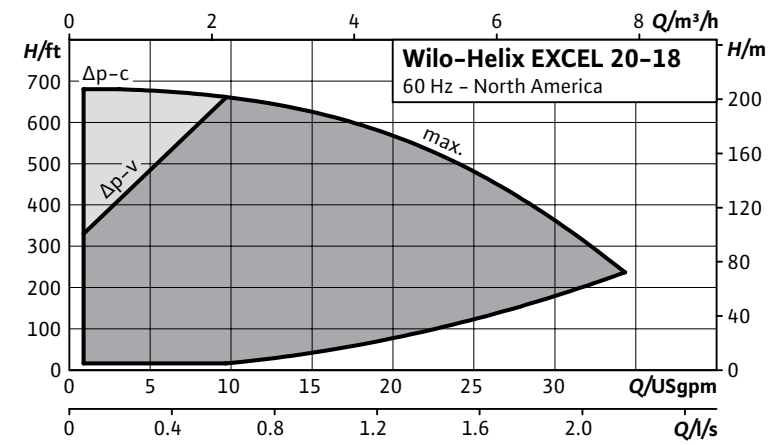
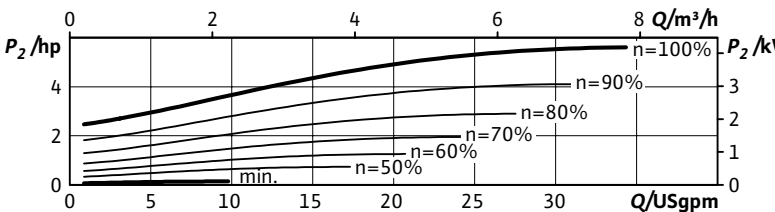
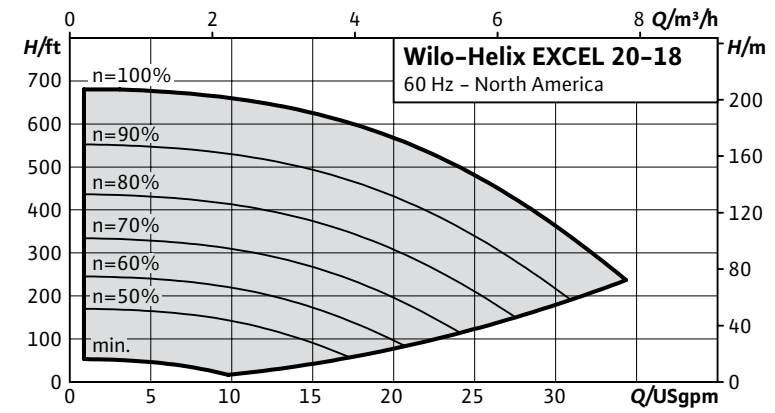
Multistage Pumps

Wilo-Helix EXCEL



Project:			
Engineer:			
Contractor:			
Submitted By:			Date:
Approved By:			Date:

Tag #	Model #	Flow	Head	Volute	Control Mode	HP	Phase	Voltage
	Helix EXCEL 20-18					5.7	3	460



Product Info

Brand	Wilo
Product Description	Helix Excel

Technical Data

Liquid Temp Range	-22°F to 284°F (-30°C to +120°C)
Fluid Compatibility	Water, up to 50/50 Water-Glycol
Max Operating Pressure	232.1/362.6 PSI
Mains Voltage	460V (±10%) 60Hz
Protection Class	IP 55, Class F Insulation
Ambient Temp Range	5°F to 104°F (-15°C to 40°C)
Ambient Humidity	< 90% without condensation

Materials of Construction

Pump Volute	AISI 304L*	AISI 316L
Mechanical Seal	EPDM	FKM
Impellers Stage Housings Diffusers	AISI 304L	AISI 316L
Shaft	AISI 304L / AISI 318 LN	AISI 316L / AISI 318LN
O-ring for mechanical seal	EPDM (FKM gasket on request)	EPDM (FKM gasket on request)
Sleeve under the mechanical seal	AISI 316L	AISI 316L

*304 pump volutes are NSF 61 certified

IR Module Selection

Select	Module
	BACnet / Dual Pump
	LONworks / Dual Pump
	MODBus
	None

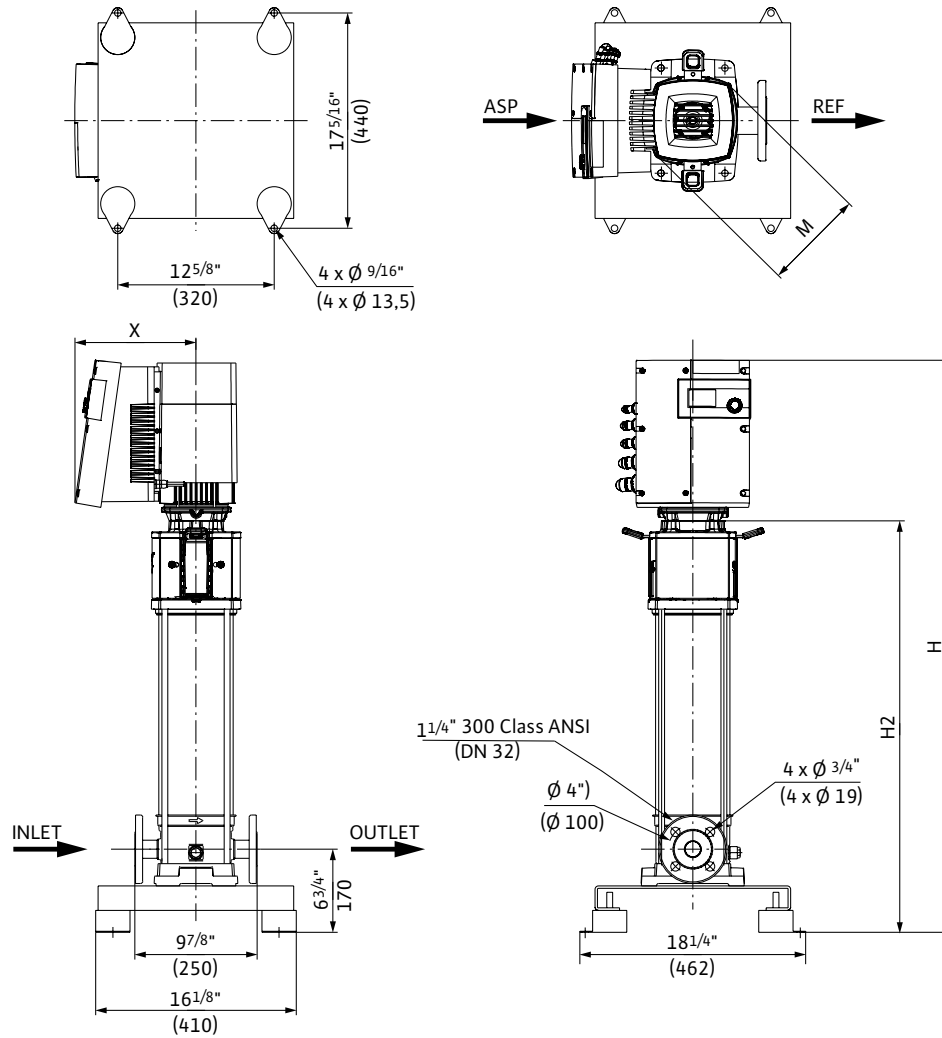
Applications

Water Supply	Pressure Boosting
Boiler Feed	Cooling Systems
Pressure Washing	Irrigation

Submittal Data Sheet

Multistage Pumps

Wilo-Helix EXCEL



Dimensions and Weights

Model	Dimensions - Inches (mm)				Weight lbs (kg)
	H	H2	ϕM	X	
Helix EXCEL 20-18	$56\frac{3}{4}''$	$40\frac{9}{16}''$	$8\frac{3}{4}''$	$10\frac{9}{16}''$	158.7
	(1441)	(1031)	(223)	(268)	(72)

EC Motor Data (Single Motor Operation)

Model	P_2 Rated	Phase	Voltage	FLA	Efficiency
	hp	[~]	[V]	[A]	η_m 100%
Helix EXCEL 20-18	5.7	3	460 ($\pm 10\%$)	6.5	95.80

