

# Submittal Data Sheet

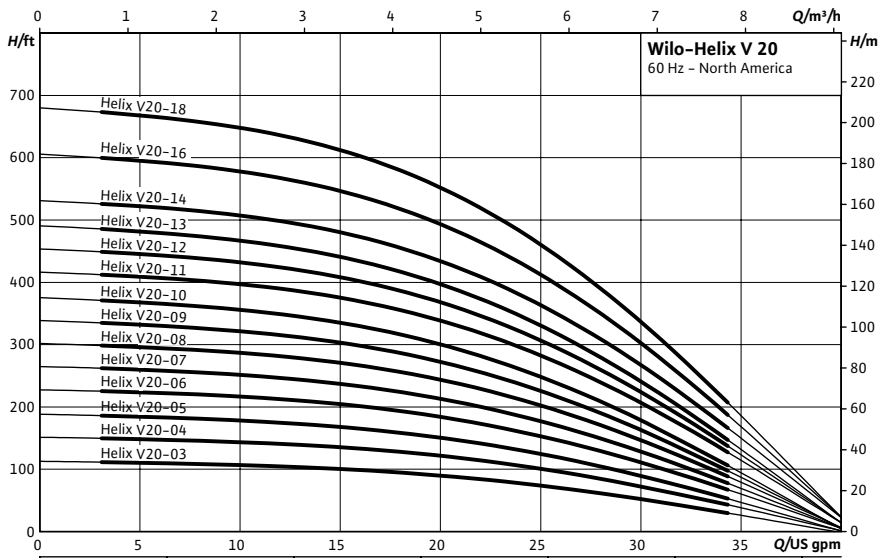
Vertical Multistage Pumps

## Wilo-Helix



Project:	
Engineer:	
Contractor:	
Submitted By:	Date:
Approved By:	Date:

Tag #	Model #	Flow	Head	Volute	Control Mode	HP	Phase	Voltage
	Helix V 20						3	460



### Product Info

Brand	Wilo
Product Description	Helix V 20

### Technical Data

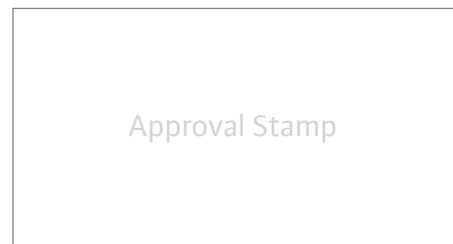
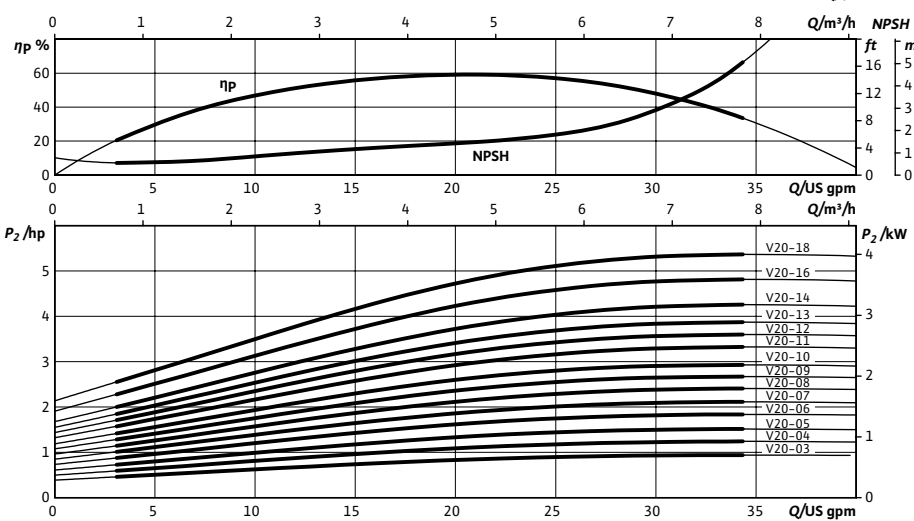
PEI	(See page 2)
Certification	NSF 61 Approved (EPDM)
Liquid Temp Range	-4°F to +248°F
Power Supply	3~ 208-230v, 3~ 460v, 3~ 575v
Ambient Temperature	+5°F to +104°F
Flange Connection	ANSI CLASS 300
Max Operating Pressure	232/363 PSI
Protection Class	IP 55

### Construction Materials

Pump Volute, flanges, impeller, stage housing, diffusers	Stainless steel AISI 304
Shaft	Stainless steel AISI 304 or AISI 316LN (Depending on version)
Shaft sleeves	Stainless Steel AISI 316L
Baseplate & lantern	Cast Iron Cathaphoresis Coated ASTM A 48 Class 35/40
O-ring	EPDM (FKM upon request)
Jacket pipe	Stainless Steel AISI 304

### Applications

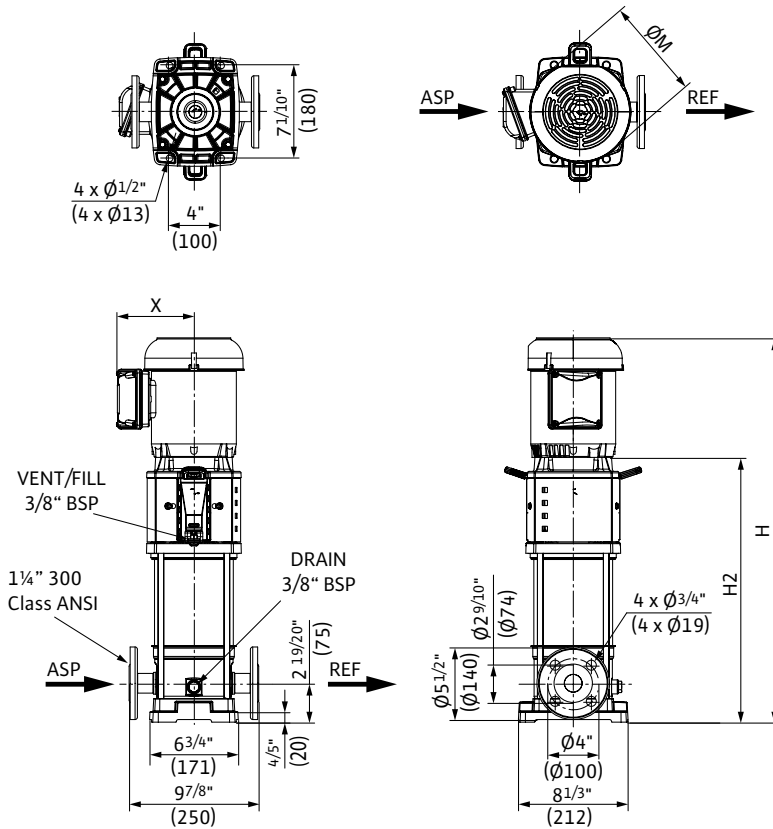
- Water supply & pressure boosting
- Industrial circulation systems
- Cooling water circulation systems
- Process water
- Washing systems
- Irrigation



# Submittal Data Sheet

Vertical Multistage Pumps

## Wilo-Helix



### Dimensions and Weights

Model	H		H <sub>2</sub>		Ø M		X		Weight	
	in	mm	in	mm	in	mm	in	mm	lbs	kg
Helix V 20-3	26 <sup>3/16</sup>	665	17	432	6 <sup>11/16</sup>	170	9	229	65	29.48
Helix V 20-4	29 <sup>3/16</sup>	741	18	457	7 <sup>5/8</sup>	194	10	254	80	36.29
Helix V 20-5	30 <sup>3/16</sup>	767	19	483	7 <sup>5/8</sup>	194	10	254	82	37.19
Helix V 20-6	31 <sup>9/16</sup>	802	20	508	7 <sup>5/8</sup>	194	10	254	88	39.92
Helix V 20-7	32 <sup>9/16</sup>	827	21	533	7 <sup>5/8</sup>	194	10	254	91	41.28
Helix V 20-8	35 <sup>1/8</sup>	892	22	559	7 <sup>3/8</sup>	187	10	254	101	45.81
Helix V 20-9	36 <sup>1/16</sup>	916	23	584	7 <sup>3/8</sup>	187	10	254	103	46.72
Helix V 20-10	37 <sup>1/16</sup>	941	24	610	7 <sup>3/8</sup>	187	10	254	103	46.72
Helix V 20-11	42 <sup>11/16</sup>	1084	26	660	9 <sup>7/16</sup>	240	11	279	142	64.41
Helix V 20-12	43 <sup>11/16</sup>	1110	27	686	9 <sup>7/16</sup>	240	11	279	142	64.41
Helix V 20-13	45 <sup>5/8</sup>	1159	29	737	9 <sup>7/16</sup>	240	11	279	144	65.32
Helix V 20-14	45 <sup>5/8</sup>	1159	29	737	9 <sup>7/16</sup>	240	11	279	144	65.32
Helix V 20-16	47 <sup>5/8</sup>	1210	31	787	9 <sup>7/16</sup>	240	11	279	146	66.22
Helix V 20-18	49 <sup>9/16</sup>	1259	33	838	9 <sup>7/16</sup>	240	11	279	149	67.59

### TEFC Motor Data

P2	Phase	208-230/460 V		575 V	
		FLA	FLA	FLA	FLA
[HP]	[-]	[A]	[A]	[A]	[A]
1	3	3.32-3/1.5	1.2		
1.5	3	4.14-3.74/1.87	1.5		
1.5	3	4.14-3.74/1.87	1.5		
2	3	5.46-4.94/2.47	1.98		
2	3	5.46-4.94/2.47	1.98		
3	3	7.76-7.02/3.51	2.81		
3	3	7.76-7.02/3.51	2.81		
3	3	7.76-7.02/3.51	2.81		
5	3	13.1-11.8/5.9	4.72		
5	3	13.1-11.8/5.9	4.72		
5	3	13.1-11.8/5.9	4.72		
5	3	13.1-11.8/5.9	4.72		
5	3	13.1-11.8/5.9	4.72		
5	3	13.1-11.8/5.9	4.72		