

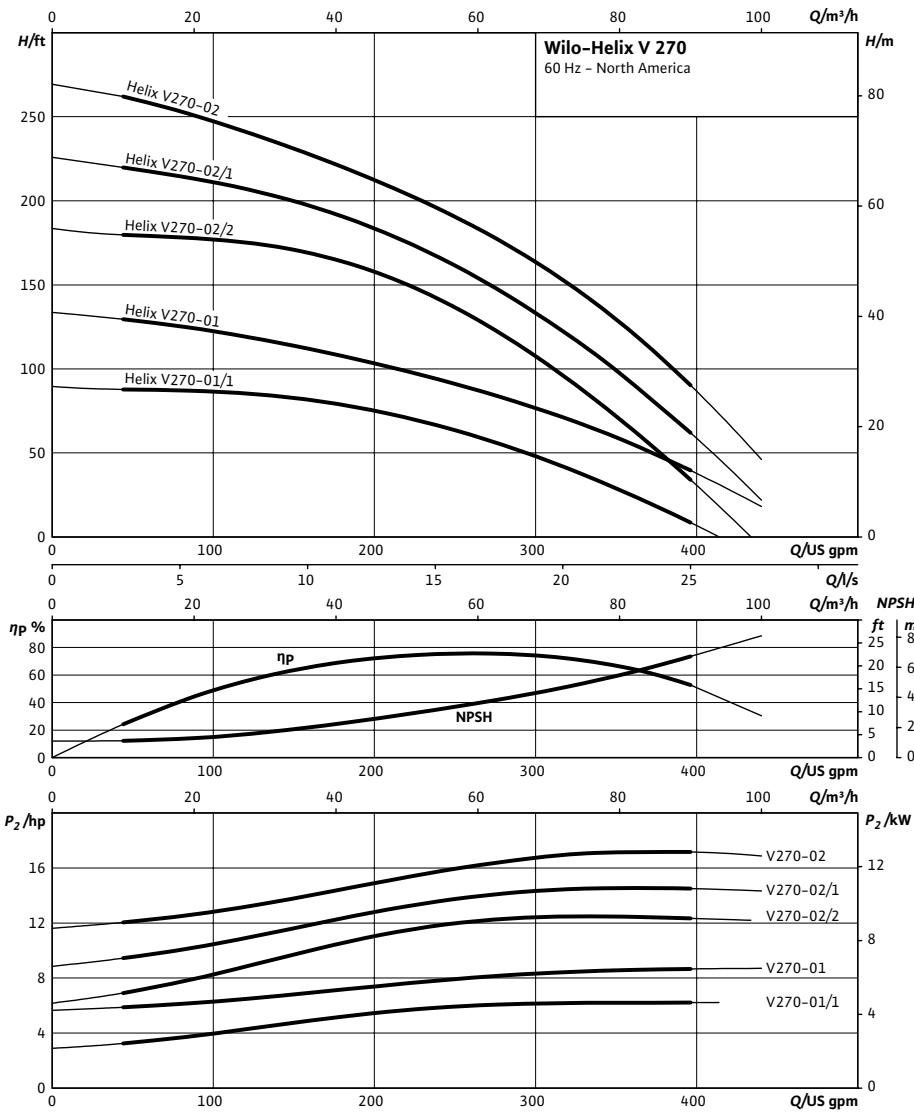
Submittal Data Sheet

Vertical Multistage Pumps

Wilo-Helix

	Project:		
	Engineer:		
	Contractor:		
	Submitted By:		Date:
	Approved By:		Date:

Tag #	Model #	Flow	Head	Volute	Control Mode	HP	Phase	Voltage
	Helix V 270						3	460



Product Info

Brand	Wilo
Product Description	Helix V 270

Technical Data

PEI	(See page 2)
Certification	NSF 61 Approved (EPDM)
Liquid Temp Range	-4°F to +248°F
Power Supply	3~ 208-230v, 3~ 460v, 3~ 575v
Ambient Temperature	+5°F to +104°F
Flange Connection	250# ANSI
Max Operating Pressure	232/363 PSI
Protection Class	IP 55

Materials of Construction

Pump Volute	Stainless steel AISI 304
Impeller, Housing, Diffusers	Stainless steel AISI 304L
Shaft	Stainless steel AISI 431
Shaft Sleeve	Stainless steel AISI 316L
Baseplate & Lantern	Cast iron cataphoresis coated ASTM A 48 Class 35/40
Flanges	Cast iron cataphoresis, coated Grey Cast Iron ASTM A 48 Class 35/40
Mechanical Seal	BQ7EGG (Viton® upon request)
O-ring	EPDM (FKM gasket upon request)
Jacket Pipe	Stainless steel AISI 304

Applications

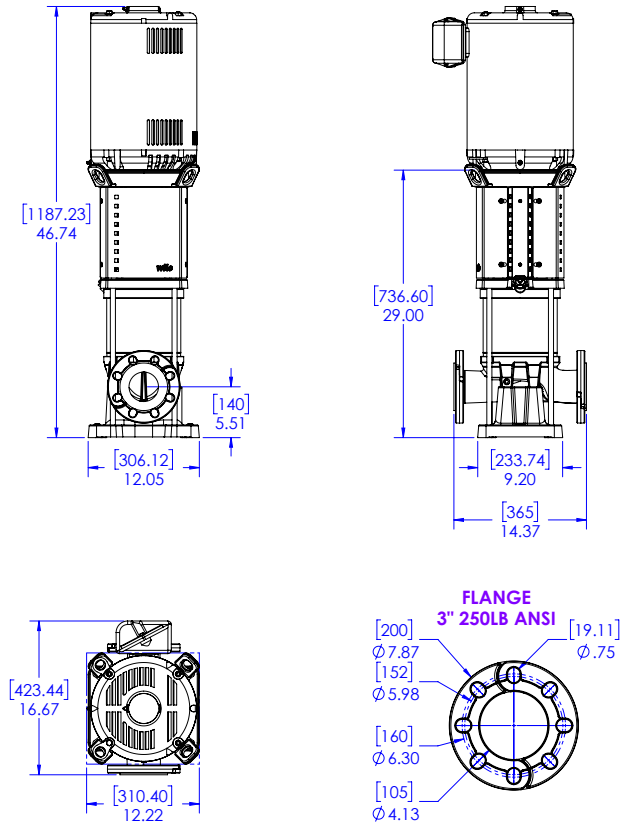
- Water supply & pressure boosting
- Industrial circulation systems
- Cooling water circulation systems
- Process water
- Washing systems
- Irrigation

Approval Stamp

Submittal Data Sheet

Vertical Multistage Pumps

Wilo-Helix



Dimensions and Weights

TEFC Motor Data

Model	PEI	H	Dimensions-inches (mm)								TEFC Motor Data				
			H ₂	Ø M	X	Weight		P2	Phase	FLA	FLA				
		in	mm	in	(mm)	in	(mm)	in	(mm)	lbs	kg	[HP]	[~]	[A]	[A]
Helix V 270-01/01	0.96	40.22	1022	25	635	8.6	218	5.97	152	291	132	7.5	3	25.4-23/11.5	9.2
Helix V 270-01	0.96	40.34	1025	25	635	10.28	261	7.96	202	322	146	10	3	25.4-23/11.5	9.2
Helix V 270-02/2	0.94	48.04	1220	29	737	12.68	322	9.42	239	380	172	15	3	38.5-34.8/17.4	13.8
Helix V 270-02/1	0.94	48.04	1220	29	737	12.68	322	9.42	239	439	199	15	3	38.5-34.8/17.4	13.8
Helix V 270-02	0.94	46.74	1187	29	737	11.61	195	9.49	241	439	199	20	3	50.2-45.4/22.7	18.2