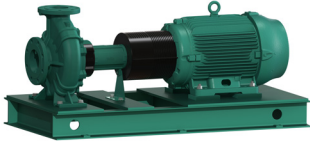


# Submittal Data Sheet

## Wilo NL-HE – Base Mounted End Suction Pumps

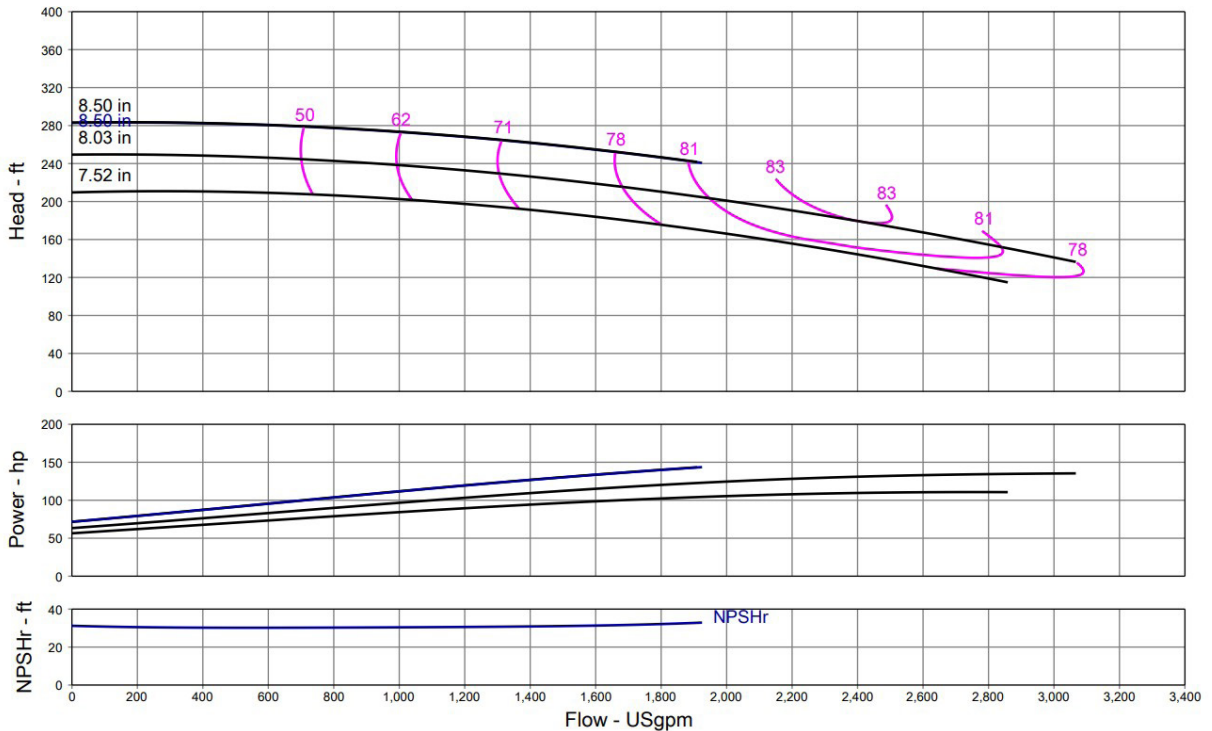


### NL-HE 6 x 5 x 8 (2 Pole)



Project:	
Engineer:	
Contractor:	
Submitted By:	Date:
Approved By:	Date:

Tag #	Model #	Flow (USGPM)	Head (Feet)	HP	Enclosure	Frame	Cycle	Phase	Voltage	RPM
	NL-HE 6 x 5 x 8						60Hz	3		



Technical Data	
<b>Approved Fluids</b>	
Heating Water	
Cooling and cold water	
<b>Pressure /Temperature Ratings</b>	
Ambient Temperature:	+5 °F to +104 °F (-15 °C to +40 °C)
Max Working Pressure & Temperature:	189 psi (up to 284 °F Fluid Temperature) 232 psi (up to 248 °F Fluid Temperature)
Water-Glycol Mixtures for 20-40% glycol and fluid temp ≤ 104°F (40°C)	

Materials of Construction	
Pump Housing	EN-GL-250 Gray Cast Iron
Impeller	EN 1.4408 Cast Stainless Steel
Impeller (optional)	CC480K Bronze or EN-GJL 1030 Cast Iron
Pump Shaft	1.4021 + QT700 Stainless Steel
Mechanical Seal	Carbon/silicon carbide/EPDM (E1)
Other Mechanical Seals	Avail. on request
Additional Spacer Coupling	Avail. on request
Other:	

Approval Stamp

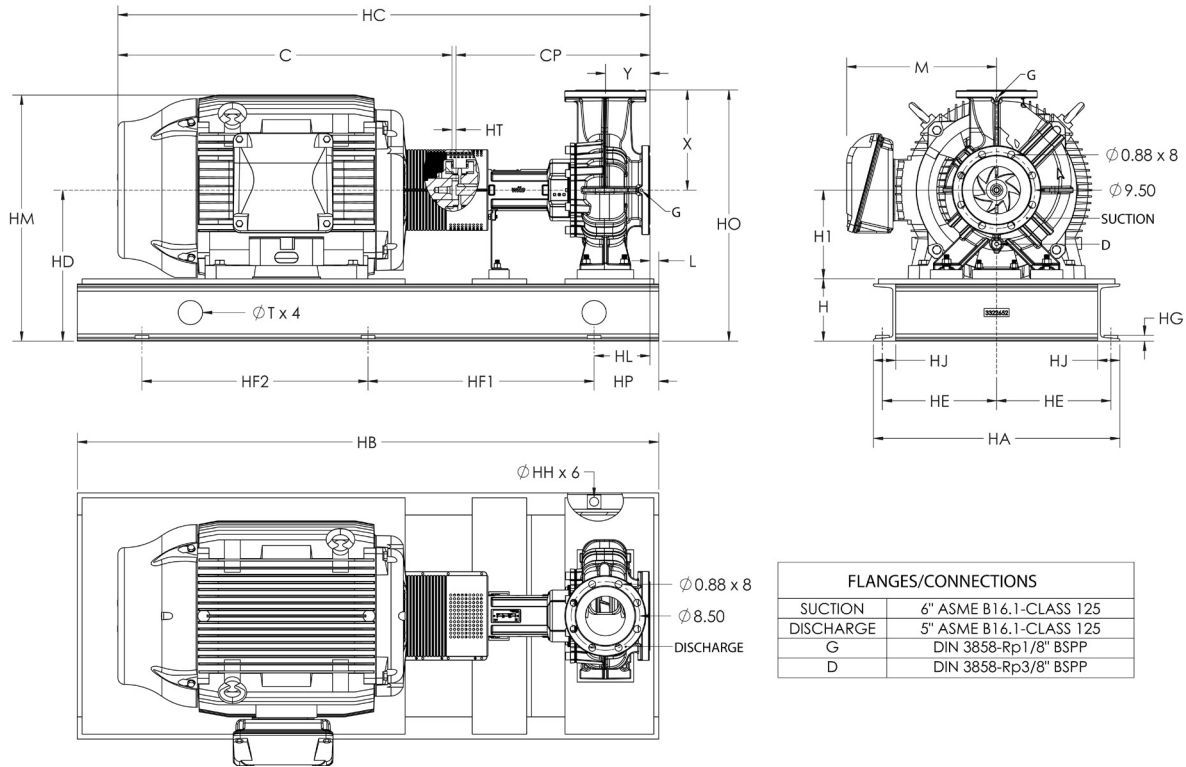
# Submittal Data Sheet

## Wilo NL-HE - Base Mounted End Suction Pumps



### Dimensions & Weights

#### Wilo NL-HE



#### NL-HE 6 x 5 x 8

Motor								Dimensions - Inches																							
HP	ENCL	Frame	Volt	RPM	EFF	PF	H	H1	X	HD	HO	HM	M	HA	HE	HG	HJ	Y	HT	HC	C	CP	L	HL	T	HH	HP	HF1	HF2	HB	Wt. (lb)
125	ODP	404/STS	208-230/460	3557	94.1	0.88	6.0	10.0	12.4	16.0	28.4	28.2	15.6	26.7	12.4	0.64	2.4	5.5	0.85	55.9	31.0	24.0	0.88	6.12	2.25	0.95	7.0	22	22	58	1452
125	TEFC	444/STS	208-230/460	3570	95	0.89	7.7	11.0	12.4	18.7	31.1	30.5	18.6	30.5	14.2	0.72	2.8	5.5	0.50	65.9	41.4	24.0	1.08	6.92	3.00	1.10	8.0	28	28	72	2551
125	ODP	404/STS	575	3557	94.1	0.88	6.0	10.0	12.4	16.0	28.4	28.2	15.6	26.7	12.4	0.64	2.4	5.5	0.85	55.9	31.0	24.0	0.88	6.12	2.25	0.95	7.0	22	22	58	1447
125	TEFC	444/STS	575	3570	95	0.89	7.7	11.0	12.4	18.7	31.1	30.5	18.6	30.5	14.2	0.72	2.8	5.5	0.50	65.9	41.4	24.0	1.08	6.92	3.00	1.10	8.0	28	28	72	2540
150	ODP	404/STS	460	3552	94.1	0.88	6.0	10.0	12.4	16.0	28.4	28.2	15.6	26.7	12.4	0.64	2.4	5.5	0.85	55.9	31.0	24.0	0.88	6.12	2.25	0.95	7.0	22	22	58	1465
150	TEFC	444/STS	208-230/460	3570	95	0.89	7.7	11.0	12.4	18.7	31.1	30.5	18.6	30.5	14.2	0.72	2.8	5.5	0.50	65.9	41.4	24.0	1.08	6.92	3.00	1.10	8.0	28	28	72	2644
150	ODP	404/STS	575	3552	94.1	0.88	6.0	10.0	12.4	16.0	28.4	28.2	15.6	26.7	12.4	0.64	2.4	5.5	0.85	55.9	31.0	24.0	0.88	6.12	2.25	0.95	7.0	22	22	58	1464
150	TEFC	444/STS	575	3570	95	0.89	7.7	11.0	12.4	18.7	31.1	30.5	18.6	30.5	14.2	0.72	2.8	5.5	0.50	65.9	41.4	24.0	1.08	6.92	3.00	1.10	8.0	28	28	72	2636

# Submittal Data Sheet

## Wilo NL-HE – Base Mounted End Suction Pumps

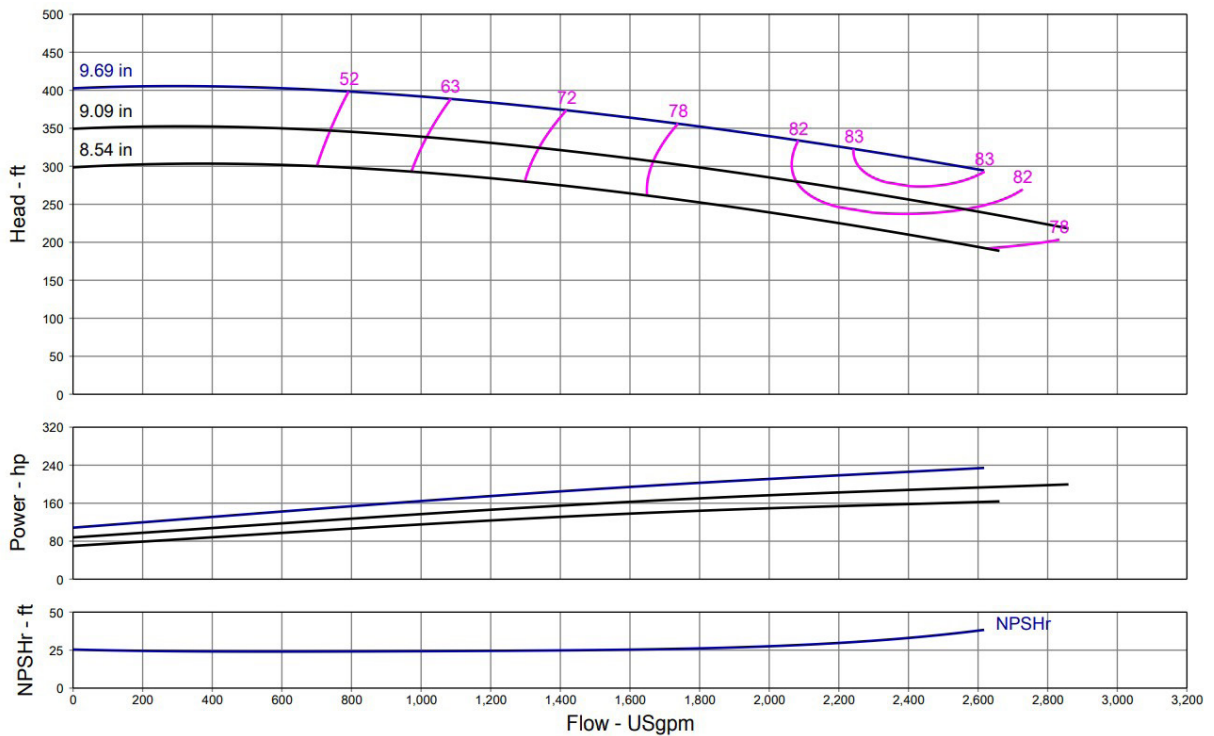


### NL-HE 6 x 5 x 10 (2 Pole)



Project:	
Engineer:	
Contractor:	
Submitted By:	Date:
Approved By:	Date:

Tag #	Model #	Flow (USGPM)	Head (Feet)	HP	Enclosure	Frame	Cycle	Phase	Voltage	RPM
	NL-HE 6 x 5 x 10						60Hz	3		



Technical Data	
<b>Approved Fluids</b>	
Heating Water	
Cooling and cold water	
<b>Pressure /Temperature Ratings</b>	
Ambient Temperature:	+5 °F to +104 °F (-15 °C to +40 °C)
Max Working Pressure & Temperature:	189 psi (up to 284 °F Fluid Temperature) 232 psi (up to 248 °F Fluid Temperature)
Water-Glycol Mixtures for 20-40% glycol and fluid temp ≤ 104°F (40°C)	

Materials of Construction	
Pump Housing	EN-GL-250 Gray Cast Iron
Impeller	EN 1.4408 Cast Stainless Steel
Impeller (optional)	CC480K Bronze or EN-GJL 1030 Cast Iron
Pump Shaft	1.4021 + QT700 Stainless Steel
Mechanical Seal	Carbon/silicon carbide/EPDM (E1)
Other Mechanical Seals	Avail. on request
Additional Spacer Coupling	Avail. on request
Other:	

Approval Stamp

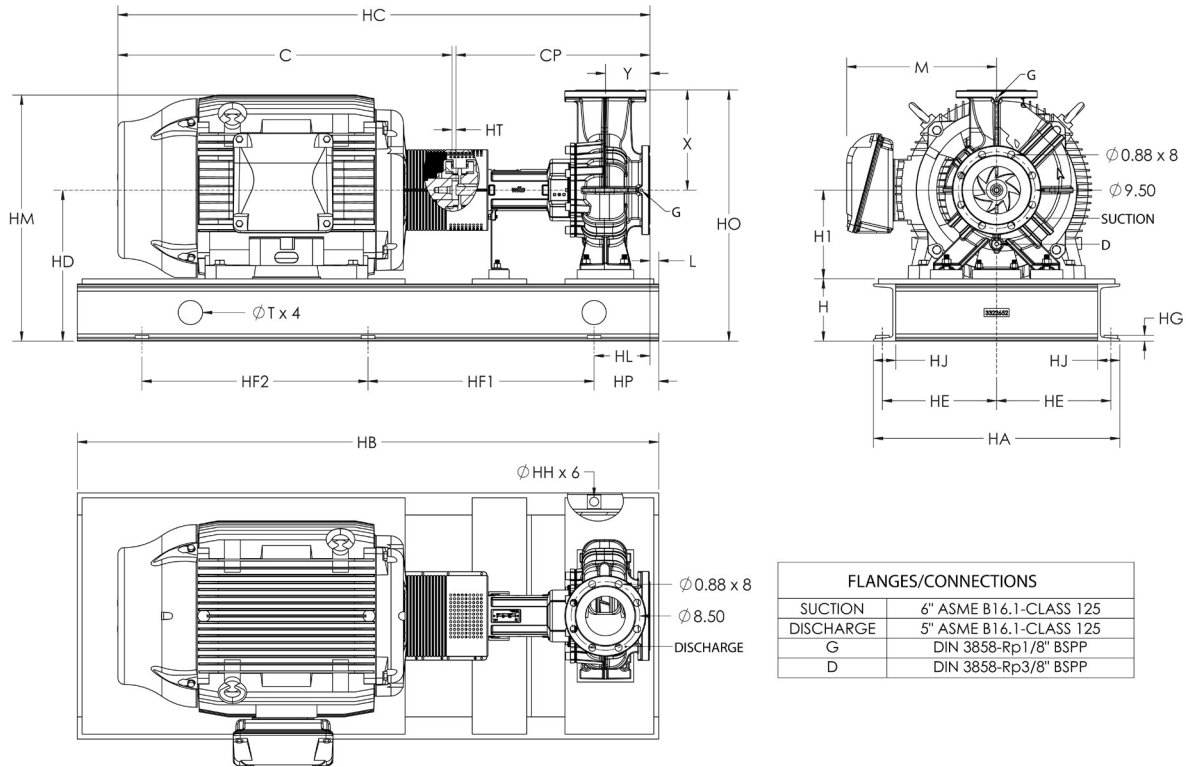
# Submittal Data Sheet

## Wilo NL-HE - Base Mounted End Suction Pumps



### Dimensions & Weights

#### Wilo NL-HE



#### NL-HE 6 x 5 x 10

Motor								Dimensions - Inches																								
HP	ENCL	Frame	Volt	RPM	EFF	PF		H	H1	X	HD	HO	HM	M	HA	HE	HG	HJ	Y	HT	HC	C	CP	L	HL	T	HH	HP	HF1	HF2	HB	Wt. (lb)
200	ODP	444/5TS	460	3570	95	0.88		6.1	11	14	17.1	31.0	31.6	18.7	28.7	13.4	0.64	2.4	5.5	0.50	61.5	34.6	26.4	0.48	6.52	2.25	0.95	7.0	24	24	62	2026
200	TEFC	445/7TS	208-230/460	3570	95.4	0.9		7.7	11	14	18.7	32.7	35.2	20.6	30.5	14.2	0.72	2.8	5.5	0.85	72.2	44.9	26.4	1.08	6.92	3.00	1.10	8.0	27	27	70	3019
200	ODP	444/5TS	575	3570	95	0.88		6.1	11	14	17.1	31.0	31.6	18.7	28.7	13.4	0.64	2.4	5.5	0.50	61.5	34.6	26.4	0.48	6.52	2.25	0.95	7.0	24	24	62	2026
200	TEFC	445/7TS	575	3570	95.4	0.9		7.7	11	14	18.7	32.7	35.2	20.6	30.5	14.2	0.72	2.8	5.5	0.85	72.2	44.9	26.4	1.08	6.92	3.00	1.10	8.0	27	27	70	2993
250	ODP	444/5TS	460	3570	95	0.88		6.1	11	14	17.1	31.0	31.6	18.7	28.7	13.4	0.64	2.4	5.5	0.85	63.3	36.1	26.4	0.48	6.52	2.25	0.95	7.0	24	24	62	2112
250	TEFC	445/7TS	460	3573	95.8	0.9		7.7	11	14	18.7	32.7	35.2	20.6	30.5	14.2	0.72	2.8	5.5	0.85	72.2	44.9	26.4	1.08	6.92	3.00	1.10	8.0	27	27	70	3256
250	ODP	444/5TS	575	3570	95	0.88		6.1	11	14	17.1	31.0	31.6	18.7	28.7	13.4	0.64	2.4	5.5	0.85	63.3	36.1	26.4	0.48	6.52	2.25	0.95	7.0	24	24	62	2110
250	TEFC	447/9TS	575	3573	95.8	0.9		7.7	11	14	18.7	32.7	35.2	20.6	30.5	14.2	0.72	2.8	5.5	0.85	79.8	52.6	26.4	1.08	7.92	3.00	1.10	9.0	31	31	80	3581