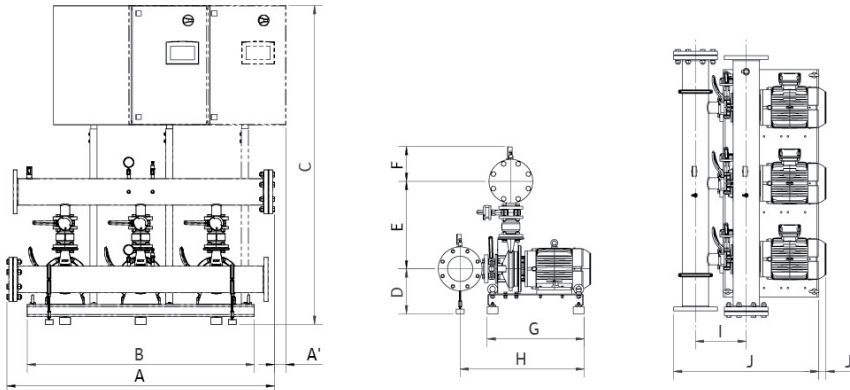
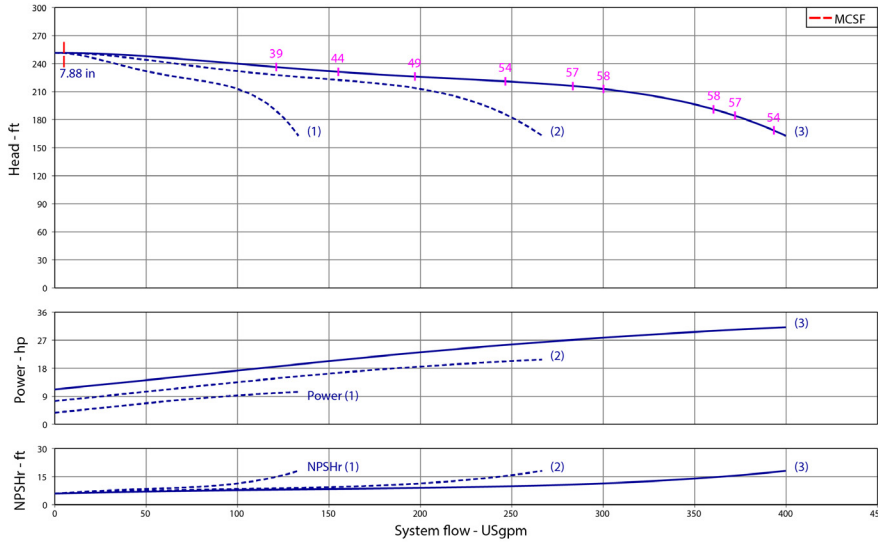


Wilo-WiBooster

		Project:					
		Engineer:					
		Contractor:					
		Submitted By:			Date:		
Approved By:		Date:					
Tag #	Model #	Flow	Head	HP/Pump	Cycle	Phase	Voltage
	WiBooster 3/322/A			10	60Hz		



Product Info

Brand: Wilo
Product Description: WiBooster 3/322/A

Construction Materials

Pump Volute: 304 Stainless Steel
Impeller: 304 Stainless Steel
Shaft: 304 Stainless Steel
Elastomers: EPDM
Isolation Valves: Butterfly, SS Stem/Disc, EPDM Seal
Manifolds: 304 Stainless Steel, ANSI-Flanged
Check Valves: Stainless Steel, Non-Slam, Plunger Type with EPDM Seal
Mechanical Seal: Type 21
Pressure Transducers: 316 Stainless Steel
Pressure Gauges: 304/316 Stainless Steel
System Base: Plated Steel
Vibration Isolators: Neoprene, Height-Adjustable

Motor Data

Motor Power Supply: 3~208-230/460/575V
Enclosure: ODP/TEFC
Efficiency: NEMA Premium
Horsepower/Pump: 10
Enclosure Material: Rolled Steel/Cast Iron
Motor Protection Class: IP54
Insulation Class: F

Hydraulic Data

Max Operating Pressure: 150 PSI
Max Inlet Pressure: 75 PSI
Min. Fluid Temp.: 40°F
Max Fluid Temp.: 140°F
Min. Ambient Temp.: 32°F
Max. Ambient Temp.: 104°F

Panel Info

Power Supply: 1~230, 3~208-230/460/575
Enclosure: NEMA 12 (3R Available on Request)
Standard: Meets UL 508A
VFD's: Danfoss FC-51 / FC-101

PLC Info

User Interface: 7" Color Touchscreen
Display Resolution: 800 x 480 Pixels
Supply Voltage: 24VDC
Max Current: 320mA @24V
Analog Inputs/Outputs: 9/2
Digital Inputs/Outputs: 18/17
Communications: ModBUS Standard (BacNET, LONWorks Optional)
Ethernet Port: RJ45 (10/100Mbps)
Additional Ports: USB 2.0, Micro-SD

Dimensions	Full Flow Connection (in)				Half Flow Connection (in)			
	1-3-230	3~208-230	3~460	3~575	1-3-230	3~208-230	3~460	3~575
System Connection (150#)	x	6	6	6	x	4	4	4
A	x	67.2	67.2	67.2	x	66.9	66.9	66.9
A ₁	x	x	x	x	x	x	x	x
B	x	57	57	57	x	57	57	57
C	x	75	75	75	x	75	75	75
D	x	11.3	11.3	11.3	x	11.3	11.3	11.3
E	x	22.5	22.5	22.5	x	20.5	20.5	20.5
F	x	8.7	8.7	10	x	7.7	7.7	9
G	x	24.4	24.4	24.4	x	24.4	24.4	24.4
H	x	31	31	31	x	31	31	31
I	x	11.8	11.8	11.8	x	9.8	9.8	9.8
J	x	36.3	36.3	36.3	x	33.3	33.3	33.3
J ₁	x	0.8	0.8	0.8	x	0.8	0.8	0.8
Panel Dimensions (HxWxD)	x	30X30X10	30X24X10	30X30X10	x	30X30X10	30X24X10	30X30X10
Full Load Amps (per pump)	x	26.4-24.0	12.0	9.5	x	26.4-24.0	12.0	9.5
Panel Weight (lbs)	x	164.5	112.7	150	x	164.5	112.7	150
Pump Weight (ea - lbs)	x	210	210	210	x	210	210	210
System Weight (lbs)	x	1400	1345	1385	x	1320	1255	1305

