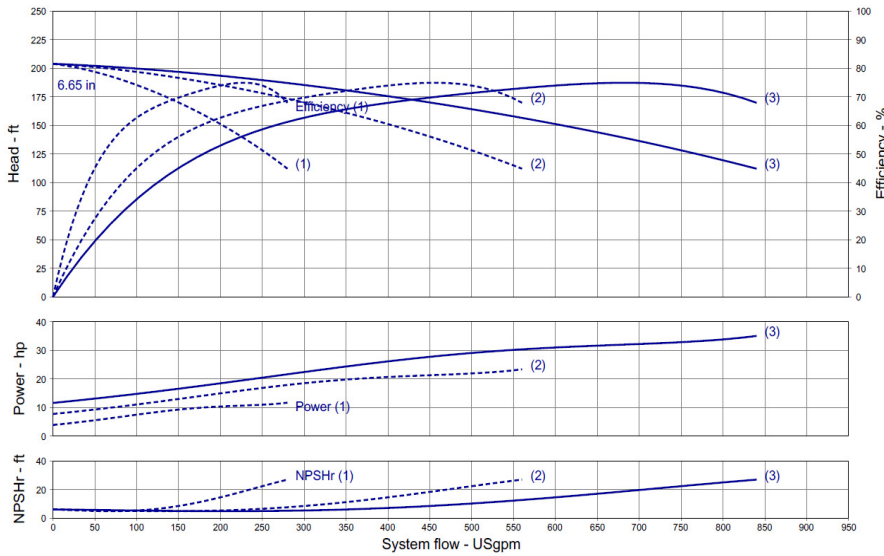


Wilo-WiBooster

		Project:					
		Engineer:					
		Contractor:					
		Submitted By:			Date:		
		Approved By:			Date:		
Tag #	Model #	Flow	Head	HP/Pump	Cycle	Phase	Voltage
	WiBooster 3/324/A			15	60Hz		



Product Info

Brand: Wilo
Product Description: WiBooster 3/324/A

Construction Materials

Pump Volute: 304 Stainless Steel
Impeller: 304 Stainless Steel
Shaft: 304 Stainless Steel
Elastomers: EPDM
Isolation Valves: Butterfly, SS Stem/Disc, EPDM Seal
Manifolds: 304 Stainless Steel, ANSI-Flanged
Check Valves: Stainless Steel, Non-Slam, Plunger Type with EPDM Seal
Mechanical Seal: Type 21
Pressure Transducers: 316 Stainless Steel
Pressure Gauges: 304/316 Stainless Steel
System Base: Plated Steel
Vibration Isolators: Neoprene, Height-Adjustable

Motor Data

Motor Power Supply: 3-208-230/460/575V
Enclosure: ODP/TEFC
Efficiency: NEMA Premium
Horsepower/Pump: 15
Enclosure Material: Rolled Steel/Cast Iron
Motor Protection Class: IP54
Insulation Class: F

Hydraulic Data

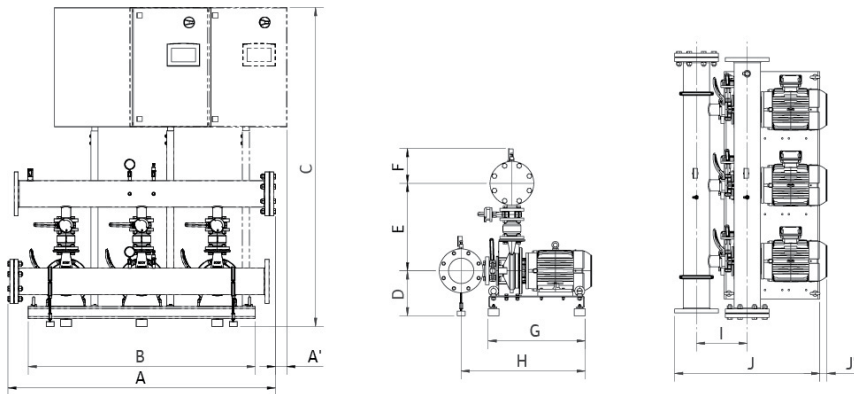
Max Operating Pressure: 150 PSI
Max Inlet Pressure: 75 PSI
Min. Fluid Temp.: 40°F
Max Fluid Temp.: 140°F
Min. Ambient Temp.: 32°F
Max. Ambient Temp.: 104°F

Panel Info

Power Supply: 1-230, 3-208-230/460/575
Enclosure: NEMA 12 (3R Available on Request)
Standard: Meets UL 508A
VFD's: Danfoss FC-51 /FC-101

PLC Info

User Interface: 7" Color Touchscreen
Display Resolution: 800 x 480 Pixels
Supply Voltage: 24VDC
Max Current: 320mA @24V
Analog Inputs/Outputs: 9/2
Digital Inputs/Outputs: 18/17
Communications: ModBUS Standard (BacNET, LONWorks Optional)
Ethernet Port: RJ45 (10/100Mbps)
Additional Ports: USB 2.0, Micro-SD



Dimensions

System Connection (150#)	Full Flow Connection (in)			Half Flow Connection (in)				
	1-3-230	3-208-230	3-460	3-575	1-3-230	3-208-230	3-460	3-575
A	x	67.2	67.8	x	x	66.9	66.9	x
A ₁	x	2.8	x	x	x	3	x	x
B	x	57	57	x	x	57	57	x
C	x	75	75	x	x	75	75	x
D	x	10.2	10.2	x	x	10.2	10.2	x
E	x	22.2	22.2	x	x	20.2	20.2	x
F	x	8.7	8.7	x	x	7.7	7.7	x
G	x	24.4	24.4	x	x	24.4	24.4	x
H	x	31.1	31.1	x	x	29.1	29.1	x
I	x	12	12	x	x	10	10	x
J	x	36.4	36.4	x	x	33.4	33.4	x
J ₁	x	0.7	0.7	x	x	0.7	0.7	x
Panel Dimensions (HxWxD)	x	30x39x12	30x30x10	x	x	30x39x12	30x30x10	x
Full Load Amps (per pump)	x	37.4-34.0	17.0	x	x	37.4-34.0	17.0	x
Panel Weight (lbs)	x	201.7	166.5	x	x	201.7	166.5	x
Pump Weight (ea - lbs)	x	202	202	x	x	202	202	x
System Weight (lbs)	x	1425	1390	x	x	1345	1310	x

