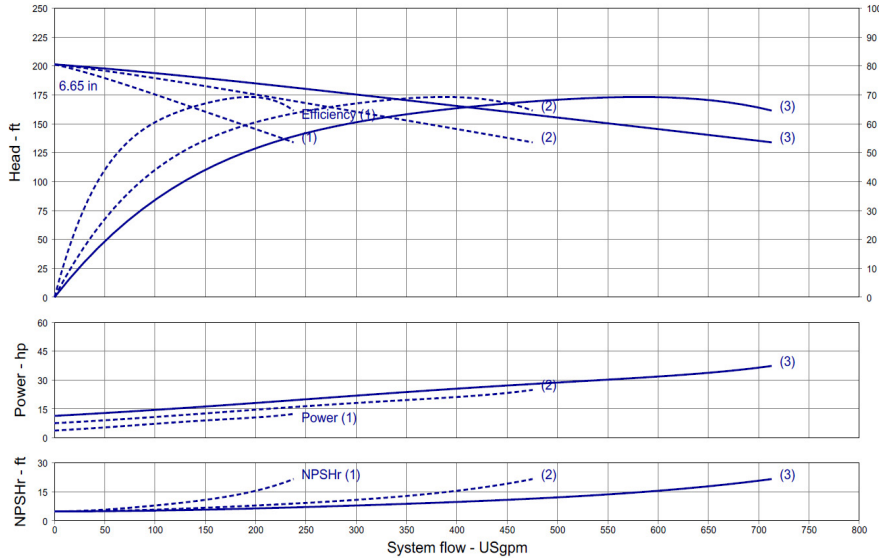


Wilo-WiBooster

| | | Project: | | | | | |
|-------|-------------------|---------------|------|---------|-------|-------|---------|
| | | Engineer: | | | | | |
| | | Contractor: | | | | | |
| | | Submitted By: | | | Date: | | |
| | | Approved By: | | | Date: | | |
| Tag # | Model # | Flow | Head | HP/Pump | Cycle | Phase | Voltage |
| | WiBooster 3/325/C | | | 10 | 60Hz | | |



Product Info

| | |
|---------------------|-------------------|
| Brand | Wilo |
| Product Description | WiBooster 3/325/C |

Construction Materials

| | |
|----------------------|--|
| Pump Volute | 304 Stainless Steel |
| Impeller | 304 Stainless Steel |
| Shaft | 304 Stainless Steel |
| Elastomers | EPDM |
| Isolation Valves | Butterfly, SS Stem/Disc, EPDM Seal |
| Manifolds | 304 Stainless Steel, ANSI-Flanged |
| Check Valves | Stainless Steel, Non-Slam, Plunger Type with EPDM Seal |
| Mechanical Seal | Type 21 |
| Pressure Transducers | 316 Stainless Steel |
| Pressure Gauges | 304/316 Stainless Steel |
| System Base | Plated Steel |
| Vibration Isolators | Neoprene, Height-Adjustable |

Motor Data

| | |
|------------------------|------------------------|
| Motor Power Supply | 3-208-230/460/575V |
| Enclosure | ODP/TEFC |
| Efficiency | NEMA Premium |
| Horsepower/Pump | 10 |
| Enclosure Material | Rolled Steel/Cast Iron |
| Motor Protection Class | IP54 |
| Insulation Class | F |

Hydraulic Data

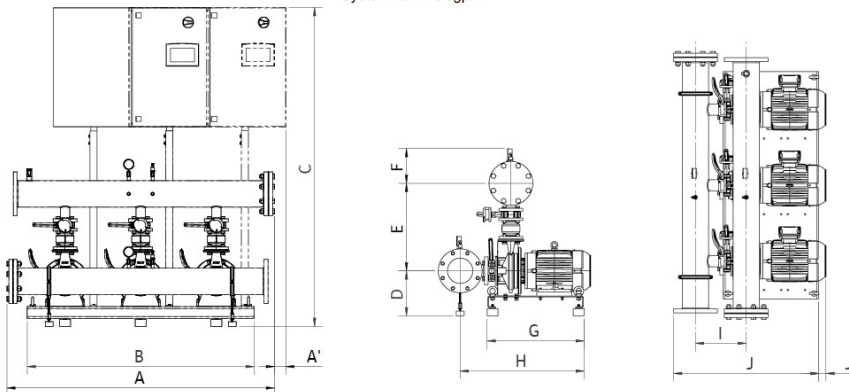
| | |
|------------------------|---------|
| Max Operating Pressure | 150 PSI |
| Max Inlet Pressure | 75 PSI |
| Min. Fluid Temp. | 40°F |
| Max Fluid Temp. | 140°F |
| Min. Ambient Temp | 32°F |
| Max. Ambient Temp | 104°F |

Panel Info

| | |
|--------------|-----------------------------------|
| Power Supply | 1-230, 3-208-230/460/575 |
| Enclosure | NEMA 12 (3R Available on Request) |
| Standard | Meets UL 508A |
| VFD's | Danfoss FC-51 /FC-101 |

PLC Info

| | |
|------------------------|---|
| User Interface | 7" Color Touchscreen |
| Display Resolution | 800 x 480 Pixels |
| Supply Voltage | 24VDC |
| Max Current | 320mA @24V |
| Analog Inputs/Outputs | 9/2 |
| Digital Inputs/Outputs | 18/17 |
| Communications | ModBUS Standard (BacNET, LONWorks Optional) |
| Ethernet Port | RJ45 (10/100Mbps) |
| Additional Ports | USB 2.0, Micro-SD |



| Dimensions | Full Flow Connection (in) | | | Half Flow Connection (in) | | | | |
|---------------------------|---------------------------|-----------|----------|---------------------------|---------|-----------|----------|----------|
| | 1-3-230 | 3-208-230 | 3-460 | 3-575 | 1-3-230 | 3-208-230 | 3-460 | 3-575 |
| System Connection (150#) | x | 6 | 6 | 6 | x | 4 | 4 | 4 |
| A | x | 66.2 | 66.2 | 66.2 | x | 66.9 | 66.9 | 66.9 |
| A ₁ | x | x | x | x | x | x | x | x |
| B | x | 57 | 57 | 57 | x | 57 | 57 | 57 |
| C | x | 75 | 75 | 75 | x | 75 | 75 | 75 |
| D | x | 11.3 | 11.3 | 11.3 | x | 11.3 | 11.3 | 11.3 |
| E | x | 23 | 23 | 23 | x | 23 | 23 | 23 |
| F | x | 8.7 | 8.7 | 10 | x | 7.7 | 7.7 | 9 |
| G | x | 24.4 | 24.4 | 24.4 | x | 24.4 | 24.4 | 24.4 |
| H | x | 31.2 | 31.2 | 31.2 | x | 29.1 | 29.1 | 29.1 |
| I | x | 12.7 | 12.7 | 12.7 | x | 10.7 | 10.7 | 10.7 |
| J | x | 36.4 | 36.4 | 36.4 | x | 33.5 | 33.5 | 33.5 |
| J ₁ | x | 1.6 | 1.6 | 1.6 | x | 1.6 | 1.6 | 1.6 |
| Panel Dimensions (HxWxD) | x | 30X30X10 | 30X24X10 | 30X30X10 | x | 30X30X10 | 30X24X10 | 30X30X10 |
| Full Load Amps (per pump) | x | 26.4-24.0 | 12.0 | 9.5 | x | 26.4-24.0 | 12.0 | 9.5 |
| Panel Weight (lbs) | x | 164.5 | 112.7 | 150 | x | 164.5 | 112.7 | 150 |
| Pump Weight (ea - lbs) | x | 211 | 211 | 211 | x | 211 | 211 | 211 |
| System Weight (lbs) | x | 1425 | 1375 | 1410 | x | 1345 | 1290 | 1330 |

