

Submittal Data Sheet

Wilco NL-HE - Base Mounted End Suction Pumps

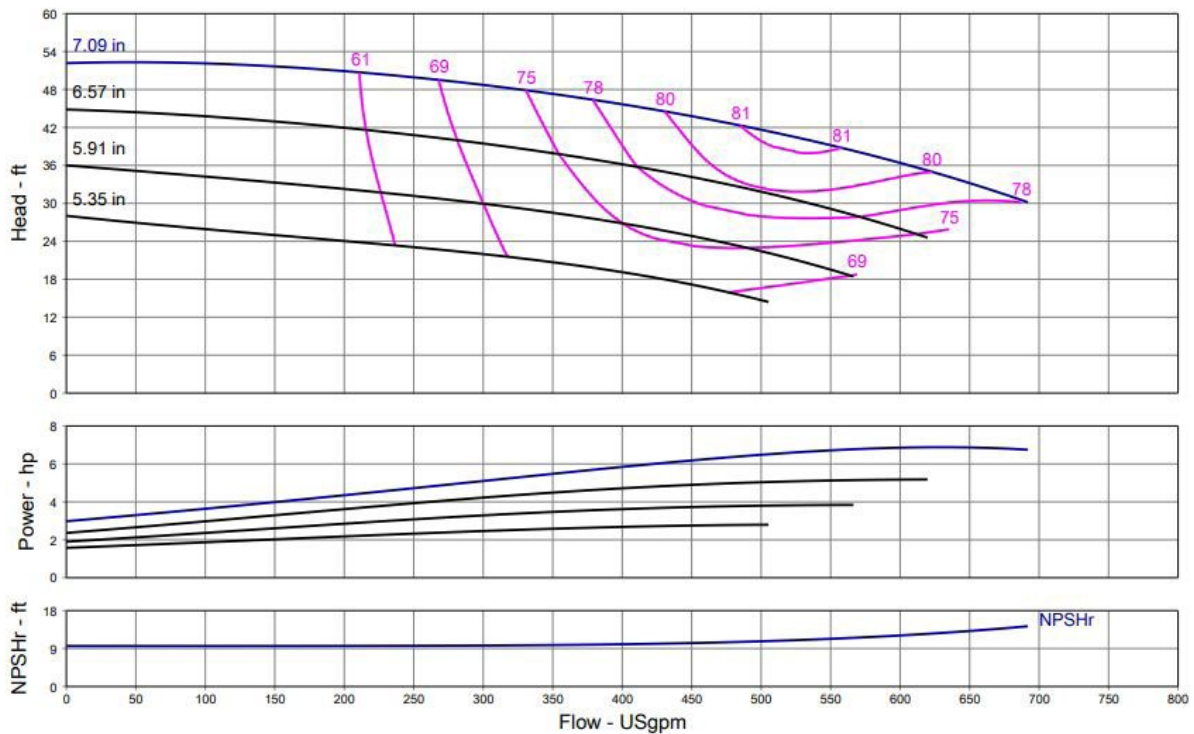


NL-HE 4 x 3 x 6 (4 Pole)



Project:	
Engineer:	
Contractor:	
Submitted By:	Date:
Approved By:	Date:

Tag #	Model #	Flow (USGPM)	Head (Feet)	HP	Enclosure	Frame	Cycle	Phase	Voltage	RPM
	NL-HE 4 x 3 x 6						60Hz	3		



Technical Data	
PEI	
0.95	
Approved Fluids	
Heating Water	
Cooling and cold water	
Pressure /Temperature Ratings	
Ambient Temperature:	+5 °F to +104 °F (-15 °C to +40 °C)
Max Working Pressure & Temperature:	189 psi (up to 284 °F Fluid Temperature) 232 psi (up to 248 °F Fluid Temperature)
Water-Glycol Mixtures for 20-40% glycol and fluid temp ≤ 104°F (40°C)	

Materials of Construction	
Pump Housing	EN-GL-250 Gray Cast Iron
Impeller	EN 1.4408 Cast Stainless Steel
Impeller (optional)	CC480K Bronze or EN-GJL 1030 Cast Iron
Pump Shaft	1.4021 + QT700 Stainless Steel
Mechanical Seal	Carbon/silicon carbide/EPDM (E1)
Other Mechanical Seals	Avail. on request
Additional Spacer Coupling	Avail. on request
Other:	

Approval Stamp

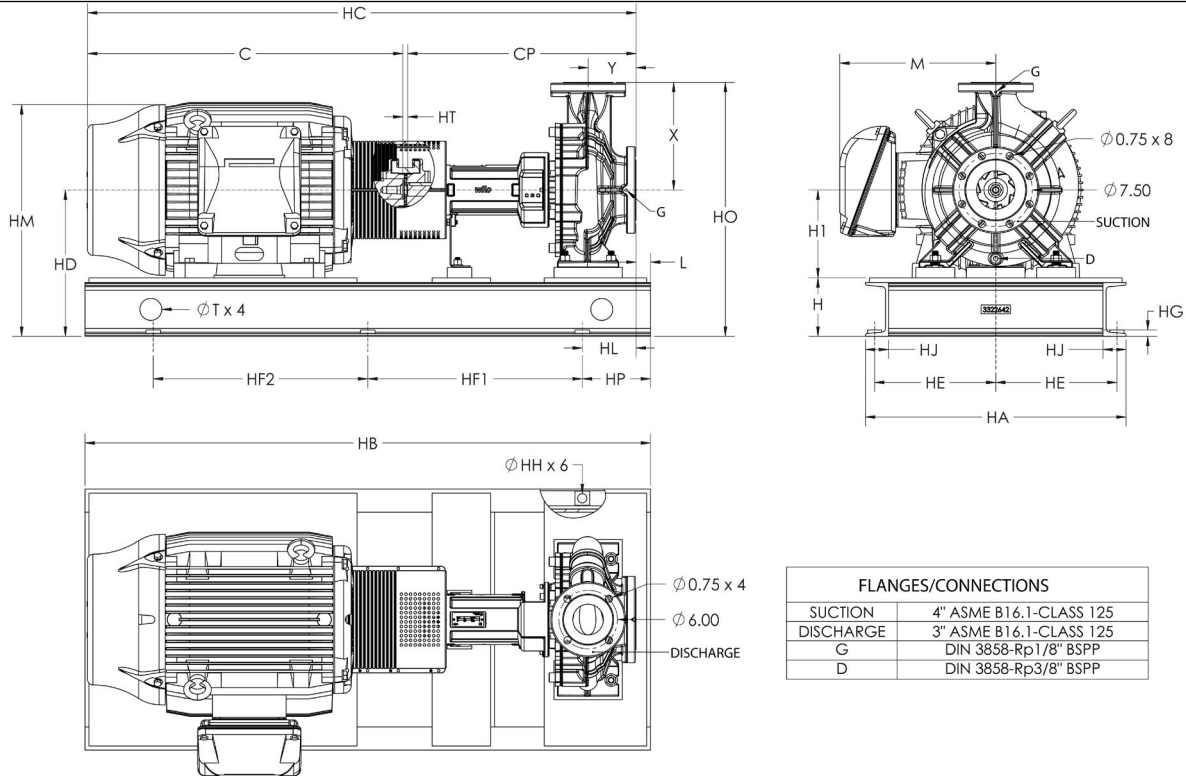
Submittal Data Sheet

Wilo NL-HE - Base Mounted End Suction Pumps



Dimensions & Weights

Wilo NL-HE



NL-HE 4 x 3 x 6


Motor								Dimensions - Inches																								
HP	ENCL	Frame	Volt	RPM	EFF	PF		H	H1	X	HD	HO	HM	M	HA	HE	HG	HJ	Y	HT	HC	C	CP	L	HL	T	HH	HP	HF1	HF2	HB	Wt. (lb)
3	ODP	182/4T	208-230/460	1765	89.5	0.8		4.3	7.1	8.9	11.4	20.3	15.5	6.7	17.3	7.9	0.57	1.9	4.9	0.50	34.8	15.2	19.1	0.02	4.48	1.50	0.80	4.5	13	13	35	307
3	TEFC	182/4T	208-230/460	1760	89.5	0.79		4.3	7.1	8.9	11.4	20.3	15.8	7.6	17.3	7.9	0.57	1.9	4.9	0.50	35.5	15.9	19.1	0.02	4.48	1.50	0.80	4.5	15	15	39	341
3	ODP	182/4T	575	1765	89.5	0.8		4.3	7.1	8.9	11.4	20.3	15.5	6.7	17.3	7.9	0.57	1.9	4.9	0.50	34.8	15.2	19.1	0.02	4.48	1.50	0.80	4.5	13	13	35	307
3	TEFC	182/4T	575	1760	89.5	0.79		4.3	7.1	8.9	11.4	20.3	15.8	7.6	17.3	7.9	0.57	1.9	4.9	0.50	35.5	15.9	19.1	0.02	4.48	1.50	0.80	4.5	15	15	39	339
5	ODP	182/4T	208-230/460	1760	89.5	0.82		4.3	7.1	8.9	11.4	20.3	15.5	6.7	17.3	7.9	0.57	1.9	4.9	0.50	35.9	16.3	19.1	0.02	4.48	1.50	0.80	4.5	15	15	39	331
5	TEFC	182/4T	208-230/460	1755	89.5	0.8		4.3	7.1	8.9	11.4	20.3	15.8	7.6	17.3	7.9	0.57	1.9	4.9	0.50	35.5	15.9	19.1	0.02	4.48	1.50	0.80	4.5	15	15	39	349
5	ODP	182/4T	575	1760	89.5	0.82		4.3	7.1	8.9	11.4	20.3	15.5	6.7	17.3	7.9	0.57	1.9	4.9	0.50	35.9	16.3	19.1	0.02	4.48	1.50	0.80	4.5	15	15	39	331
5	TEFC	182/4T	575	1755	89.5	0.8		4.3	7.1	8.9	11.4	20.3	15.8	7.6	17.3	7.9	0.57	1.9	4.9	0.50	35.5	15.9	19.1	0.02	4.48	1.50	0.80	4.5	15	15	39	347
7.5	ODP	213/5T	208-230/460	1770	91	0.82		4.3	7.1	8.9	11.4	20.3	16.3	8.0	17.3	7.9	0.57	1.9	4.9	0.50	36.2	16.6	19.1	0.02	4.48	1.50	0.80	4.5	15	15	39	364
7.5	TEFC	213/5T	208-230/460	1765	91.7	0.82		4.3	7.1	8.9	11.4	20.3	17.0	8.6	17.3	7.9	0.57	1.9	4.9	0.50	39.1	19.5	19.1	0.13	4.38	1.50	0.80	4.5	15	15	39	416
7.5	ODP	213/5T	575	1770	91	0.82		4.3	7.1	8.9	11.4	20.3	16.3	8.0	17.3	7.9	0.57	1.9	4.9	0.50	36.2	16.6	19.1	0.02	4.48	1.50	0.80	4.5	15	15	39	364
7.5	TEFC	213/5T	575	1765	91.7	0.82		4.3	7.1	8.9	11.4	20.3	17.0	8.6	17.3	7.9	0.57	1.9	4.9	0.50	39.1	19.5	19.1	0.13	4.38	1.50	0.80	4.5	15	15	39	415

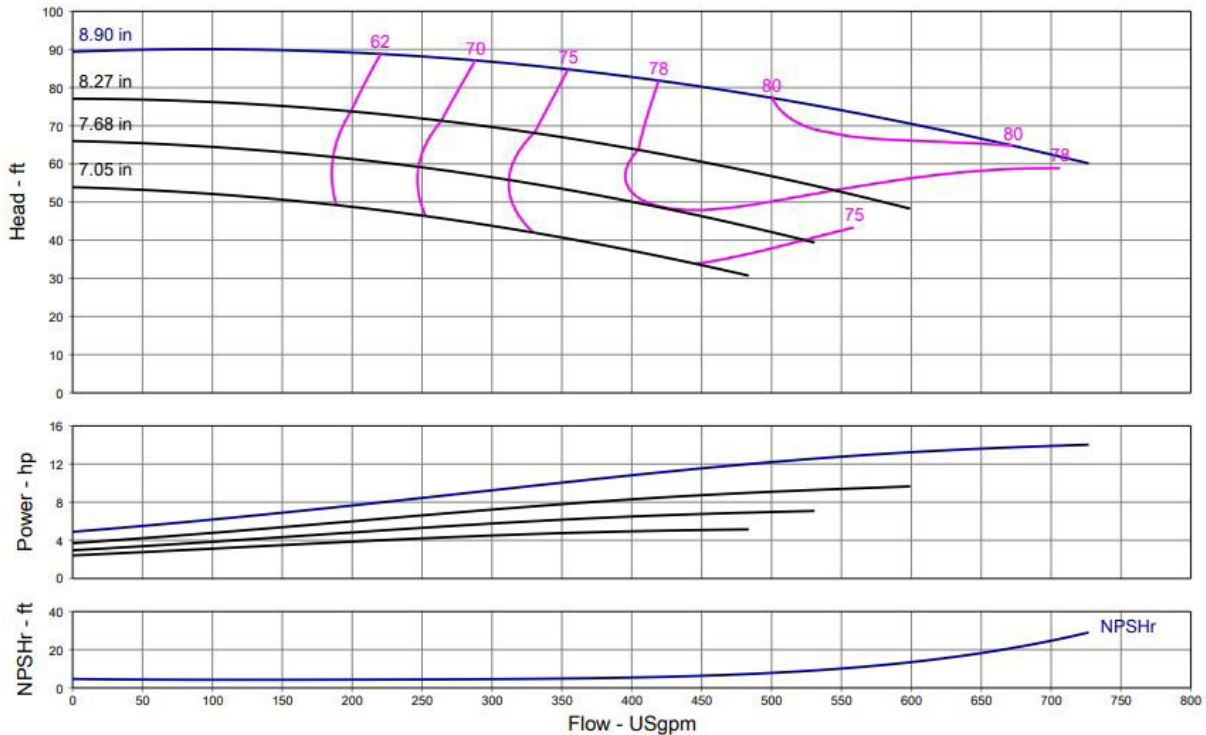
Submittal Data Sheet

Wilo NL-HE – Base Mounted End Suction Pumps



NL-HE 4 x 3 x 8 (4 Pole)

	Project:									
	Engineer:									
	Contractor:									
	Submitted By:					Date:				
	Approved By:					Date:				
Tag #	Model #	Flow (USGPM)	Head (Feet)	HP	Enclosure	Frame	Cycle	Phase	Voltage	RPM
	NL-HE 4 x 3 x 8						60Hz	3		



Technical Data	
PEI	
0.95	
Approved Fluids	
Heating Water	
Cooling and cold water	
Pressure /Temperature Ratings	
Ambient Temperature:	+5 °F to +104 °F (-15 °C to +40 °C)
Max Working Pressure & Temperature:	189 psi (up to 284 °F Fluid Temperature) 232 psi (up to 248 °F Fluid Temperature)
Water-Glycol Mixtures for 20-40% glycol and fluid temp ≤ 104°F (40°C)	

Materials of Construction	
Pump Housing	EN-GL-250 Gray Cast Iron
Impeller	EN 1.4408 Cast Stainless Steel
Impeller (optional)	CC480K Bronze or EN-GJL 1030 Cast Iron
Pump Shaft	1.4021 + QT700 Stainless Steel
Mechanical Seal	Carbon/silicon carbide/EPDM (E1)
Other Mechanical Seals	Avail. on request
Additional Spacer Coupling	Avail. on request
Other:	

Approval Stamp

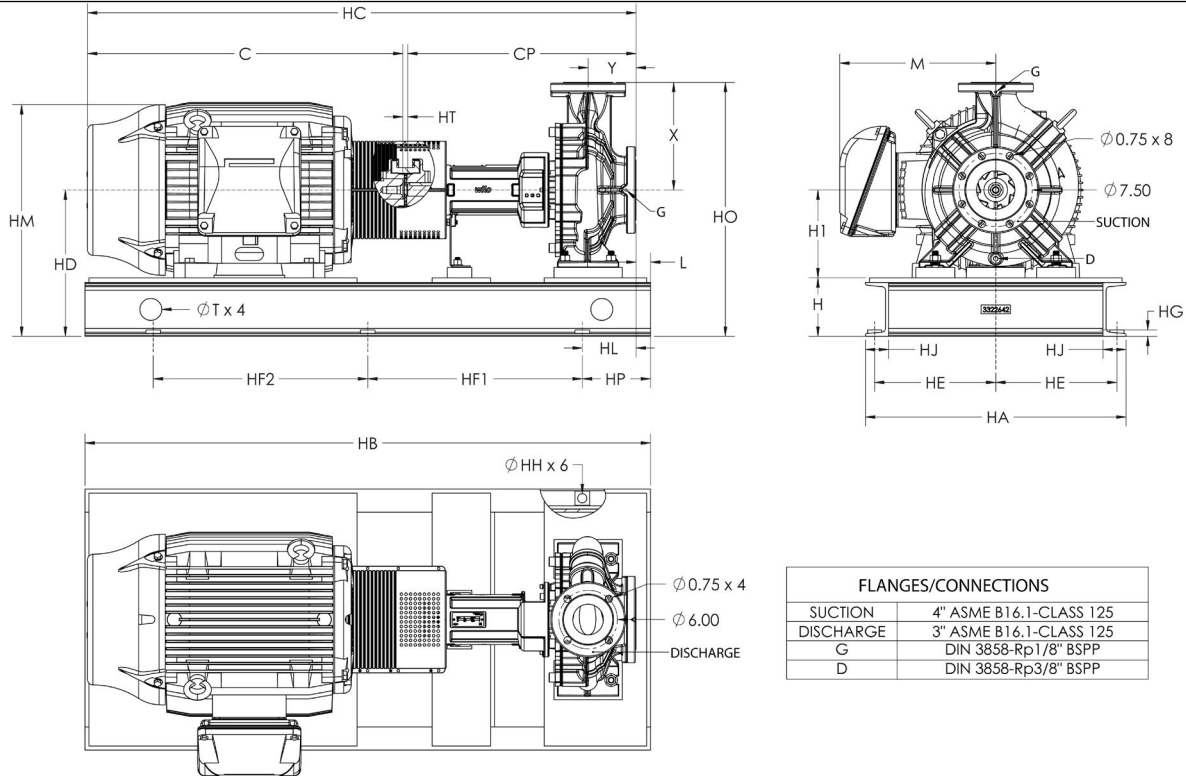
Submittal Data Sheet

Wilo NL-HE - Base Mounted End Suction Pumps



Dimensions & Weights

Wilo NL-HE



FLANGES/CONNECTIONS	
SUCTION	4" ASME B16.1-CLASS 125
DISCHARGE	3" ASME B16.1-CLASS 125
G	DIN 3858-Rp1/8" BSPP
D	DIN 3858-Rp3/8" BSPP

NL-HE 4 x 3 x 8

Motor								Dimensions - Inches																			Wt. (lb)				
HP	ENCL	Frame	Volt	RPM	EFF	PF	H	H1	X	HD	HO	HM	M	HA	HE	HG	HJ	Y	HT	HC	C	CP	L	HL	T	HH		HP	HF1	HF2	HB
7.5	ODP	213/5T	208-230/460	1770	91	0.82	5.9	7.1	9.8	13.0	22.8	17.9	8.0	21.7	9.9	0.64	2.4	4.9	0.50	40.5	16.6	23.4	1.03	3.73	2.25	0.95	4.8	19	19	48	500
7.5	TEFC	213/5T	208-230/460	1765	91.7	0.82	5.9	7.1	9.8	13.0	22.8	18.6	8.6	21.7	9.9	0.64	2.4	4.9	0.50	43.5	19.5	23.4	1.03	3.73	2.25	0.95	4.8	19	19	48	551
7.5	ODP	213/5T	575	1770	91	0.82	5.9	7.1	9.8	13.0	22.8	17.9	8.0	21.7	9.9	0.64	2.4	4.9	0.50	40.5	16.6	23.4	1.03	3.73	2.25	0.95	4.8	19	19	48	500
7.5	TEFC	213/5T	575	1765	91.7	0.82	5.9	7.1	9.8	13.0	22.8	18.6	8.6	21.7	9.9	0.64	2.4	4.9	0.50	43.5	19.5	23.4	1.03	3.73	2.25	0.95	4.8	19	19	48	550
10	ODP	213/5T	208-230/460	1770	91.7	0.83	5.9	7.1	9.8	13.0	22.8	17.9	8.0	21.7	9.9	0.64	2.4	4.9	0.50	40.5	16.6	23.4	1.03	3.73	2.25	0.95	4.8	19	19	48	506
10	TEFC	213/5T	208-230/460	1765	91.7	0.83	5.9	7.1	9.8	13.0	22.8	18.6	8.6	21.7	9.9	0.64	2.4	4.9	0.50	43.5	19.5	23.4	1.03	3.73	2.25	0.95	4.8	19	19	48	562
10	ODP	213/5T	575	1770	91.7	0.83	5.9	7.1	9.8	13.0	22.8	17.9	8.0	21.7	9.9	0.64	2.4	4.9	0.50	40.5	16.6	23.4	1.03	3.73	2.25	0.95	4.8	19	19	48	506
10	TEFC	213/5T	575	1765	91.7	0.83	5.9	7.1	9.8	13.0	22.8	18.6	8.6	21.7	9.9	0.64	2.4	4.9	0.50	43.5	19.5	23.4	1.03	3.73	2.25	0.95	4.8	19	19	48	561
15	ODP	254/6T	208-230/460	1775	93	0.8	5.9	7.1	9.8	13.0	22.8	18.7	9.5	21.7	9.9	0.64	2.4	4.9	0.50	44.4	20.5	23.4	1.03	3.73	2.25	0.95	4.8	19	19	48	574
15	TEFC	254/6T	208-230/460	1765	92.4	0.83	5.9	7.1	9.8	13.0	22.8	21.7	10.5	23.7	10.9	0.64	2.4	4.9	0.50	49.0	25.0	23.4	1.18	4.83	2.25	0.95	6.0	20	20	52	752
15	ODP	254/6T	575	1775	93	0.8	5.9	7.1	9.8	13.0	22.8	18.7	9.5	21.7	9.9	0.64	2.4	4.9	0.50	44.4	20.5	23.4	1.03	3.73	2.25	0.95	4.8	19	19	48	574
15	TEFC	254/6T	575	1765	92.4	0.83	5.9	7.1	9.8	13.0	22.8	21.7	10.5	23.7	10.9	0.64	2.4	4.9	0.50	49.0	25.0	23.4	1.18	4.83	2.25	0.95	6.0	20	20	52	750

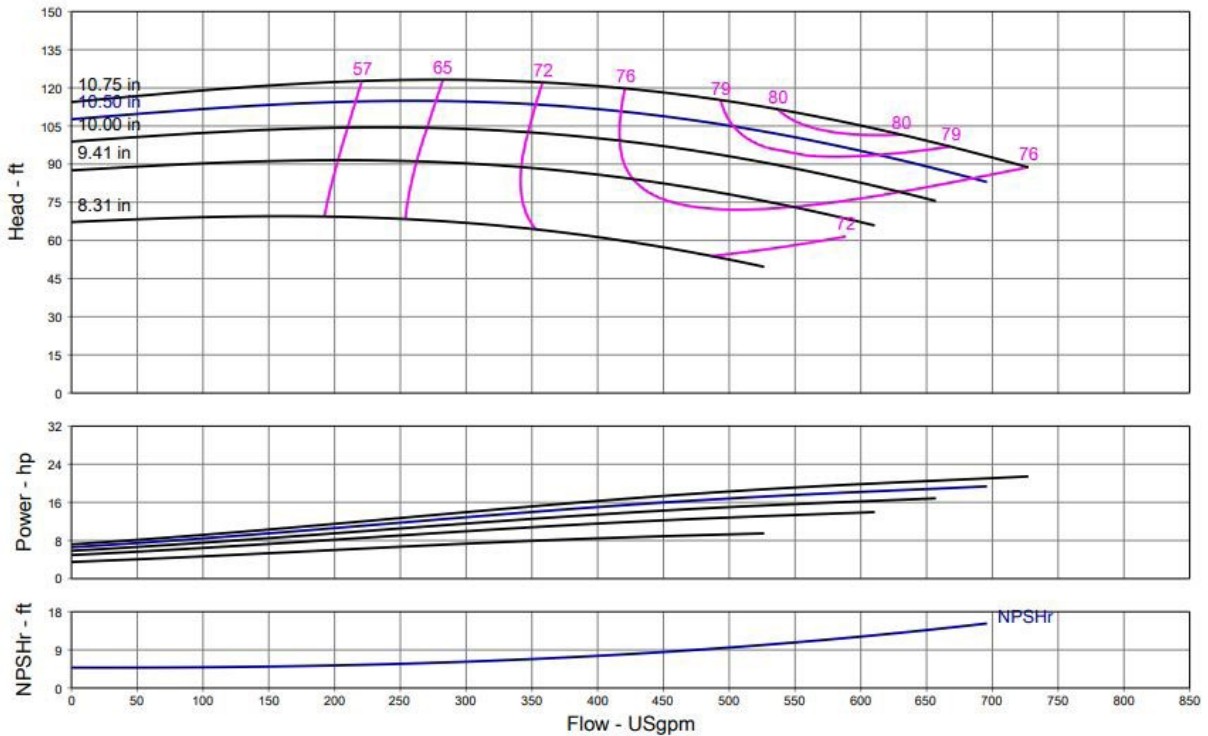
Submittal Data Sheet

Wilo NL-HE – Base Mounted End Suction Pumps



NL-HE 4 x 3 x 10 (4 Pole)

	Project:									
	Engineer:									
	Contractor:									
	Submitted By:					Date:				
	Approved By:					Date:				
Tag #	Model #	Flow (USGPM)	Head (Feet)	HP	Enclosure	Frame	Cycle	Phase	Voltage	RPM
	NL-HE 4 x 3 x 10						60Hz	3		



Technical Data	
PEI	
0.93	
Approved Fluids	
Heating Water	
Cooling and cold water	
Pressure /Temperature Ratings	
Ambient Temperature:	+5 °F to +104 °F (-15 °C to +40 °C)
Max Working Pressure & Temperature:	189 psi (up to 284 °F Fluid Temperature) 232 psi (up to 248 °F Fluid Temperature)
Water-Glycol Mixtures for 20-40% glycol and fluid temp ≤ 104°F (40°C)	

Materials of Construction	
Pump Housing	EN-GL-250 Gray Cast Iron
Impeller	EN 1.4408 Cast Stainless Steel
Impeller (optional)	CC480K Bronze or EN-GJL 1030 Cast Iron
Pump Shaft	1.4021 + QT700 Stainless Steel
Mechanical Seal	Carbon/silicon carbide/EPDM (E1)
Other Mechanical Seals	Avail. on request
Additional Spacer Coupling	Avail. on request
Other:	

Approval Stamp

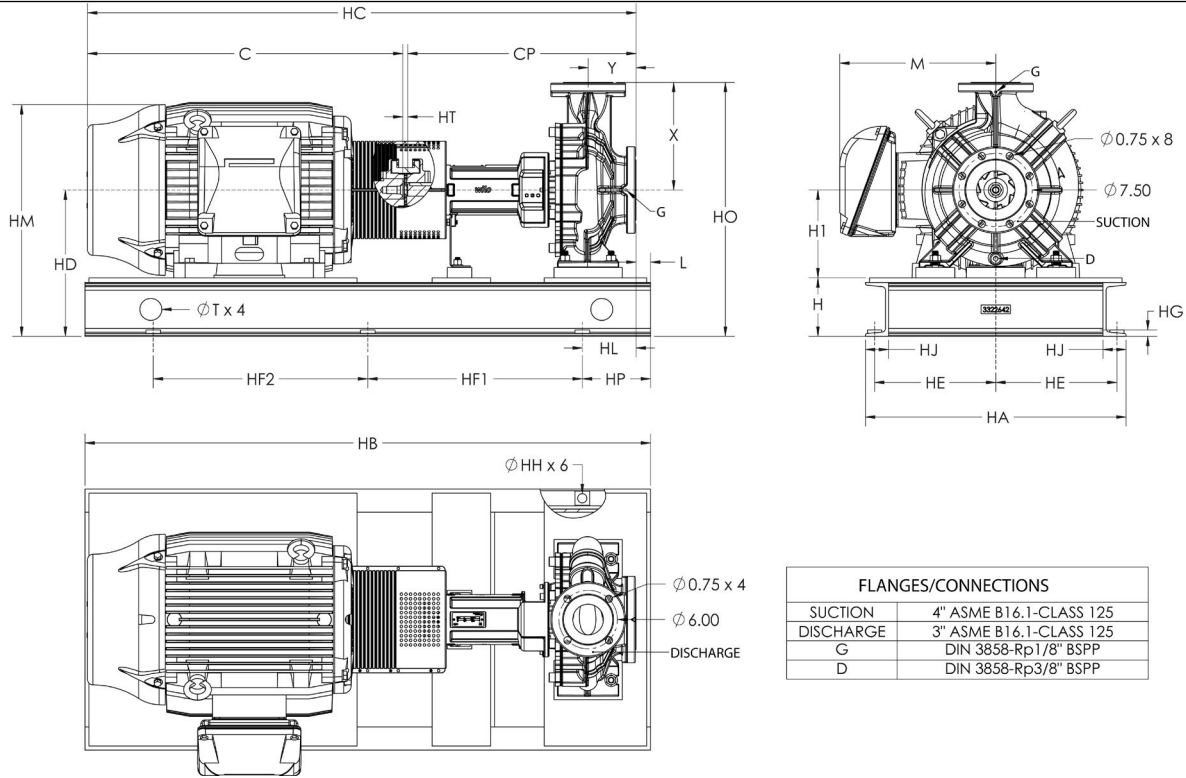
Submittal Data Sheet

Wilo NL-HE - Base Mounted End Suction Pumps



Dimensions & Weights

Wilo NL-HE



FLANGES/CONNECTIONS	
SUCTION	4" ASME B16.1-CLASS 125
DISCHARGE	3" ASME B16.1-CLASS 125
G	DIN 3858-Rp1/8" BSPP
D	DIN 3858-Rp3/8" BSPP

NL-HE 4 x 3 x 10

Motor							Dimensions - Inches																				Wt. (lb)				
HP	ENCL	Frame	Volt	RPM	EFF	PF	H	H1	X	HD	HO	HM	M	HA	HE	HG	HJ	Y	HT	HC	C	CP	L	HL	T	HH		HP	HF1	HF2	HB
10	ODP	213/5T	208-230/460	1770	91.7	0.83	5.9	7.9	11.0	13.8	24.8	18.7	8.0	21.7	9.9	0.64	2.4	4.9	0.50	40.5	16.6	23.4	1.03	3.73	2.25	0.95	4.8	19	19	48	547
10	TEFC	213/5T	208-230/460	1765	91.7	0.83	5.9	7.9	11.0	13.8	24.8	19.4	8.6	21.7	9.9	0.64	2.4	4.9	0.50	43.5	19.5	23.4	1.03	3.73	2.25	0.95	4.8	19	19	48	604
10	ODP	213/5T	575	1770	91.7	0.83	5.9	7.9	11.0	13.8	24.8	18.7	8.0	21.7	9.9	0.64	2.4	4.9	0.50	40.5	16.6	23.4	1.03	3.73	2.25	0.95	4.8	19	19	48	547
10	TEFC	213/5T	575	1765	91.7	0.83	5.9	7.9	11.0	13.8	24.8	19.4	8.6	21.7	9.9	0.64	2.4	4.9	0.50	43.5	19.5	23.4	1.03	3.73	2.25	0.95	4.8	19	19	48	603
15	ODP	254/6T	208-230/460	1775	93	0.8	5.9	7.9	11.0	13.8	24.8	19.5	9.5	21.7	9.9	0.64	2.4	4.9	0.50	44.4	20.5	23.4	1.03	3.73	2.25	0.95	4.8	19	19	48	616
15	TEFC	254/6T	208-230/460	1765	92.4	0.83	5.9	7.9	11.0	13.8	24.8	22.4	10.5	23.7	10.9	0.64	2.4	4.9	0.50	49.0	25.0	23.4	1.03	4.98	2.25	0.95	6.0	20	20	52	795
15	ODP	254/6T	575	1775	93	0.8	5.9	7.9	11.0	13.8	24.8	19.5	9.5	21.7	9.9	0.64	2.4	4.9	0.50	44.4	20.5	23.4	1.03	3.73	2.25	0.95	4.8	19	19	48	616
15	TEFC	254/6T	575	1765	92.4	0.83	5.9	7.9	11.0	13.8	24.8	22.4	10.5	23.7	10.9	0.64	2.4	4.9	0.50	49.0	25.0	23.4	1.03	4.98	2.25	0.95	6.0	20	20	52	793
20	ODP	254/6T	208-230/460	1770	93	0.81	5.9	7.9	11.0	13.8	24.8	19.5	9.5	21.7	9.9	0.64	2.4	4.9	0.50	44.4	20.5	23.4	1.03	3.73	2.25	0.95	4.8	19	19	48	641
20	TEFC	254/6T	208-230/460	1765	93	0.84	5.9	7.9	11.0	13.8	24.8	22.4	10.5	23.7	10.9	0.64	2.4	4.9	0.50	49.0	25.0	23.4	1.03	4.98	2.25	0.95	6.0	20	20	52	843
20	ODP	254/6T	575	1770	93	0.81	5.9	7.9	11.0	13.8	24.8	19.5	9.5	21.7	9.9	0.64	2.4	4.9	0.50	44.4	20.5	23.4	1.03	3.73	2.25	0.95	4.8	19	19	48	640
20	TEFC	254/6T	575	1765	93	0.84	5.9	7.9	11.0	13.8	24.8	22.4	10.5	23.7	10.9	0.64	2.4	4.9	0.50	49.0	25.0	23.4	1.03	4.98	2.25	0.95	6.0	20	20	52	841
25	ODP	284T	208-230/460	1770	93.6	0.84	5.9	7.9	11.0	13.8	24.8	22.5	11.9	23.7	10.9	0.64	2.4	4.9	0.50	47.1	23.2	23.4	1.03	4.98	2.25	0.95	6.0	20	20	52	835
25	TEFC	284/6T	208-230/460	1765	93.6	0.84	5.9	7.9	11.0	13.8	24.8	22.9	11.1	23.7	10.9	0.64	2.4	4.9	0.50	51.9	27.9	23.4	1.03	4.98	2.25	0.95	6.0	20	20	52	899
25	ODP	284T	575	1770	93.6	0.84	5.9	7.9	11.0	13.8	24.8	22.5	11.9	23.7	10.9	0.64	2.4	4.9	0.50	47.1	23.2	23.4	1.03	4.98	2.25	0.95	6.0	20	20	52	834
25	TEFC	284/6T	575	1765	93.6	0.84	5.9	7.9	11.0	13.8	24.8	22.9	11.1	23.7	10.9	0.64	2.4	4.9	0.50	51.9	27.9	23.4	1.03	4.98	2.25	0.95	6.0	20	20	52	897

Submittal Data Sheet

Wilo NL-HE - Base Mounted End Suction Pumps

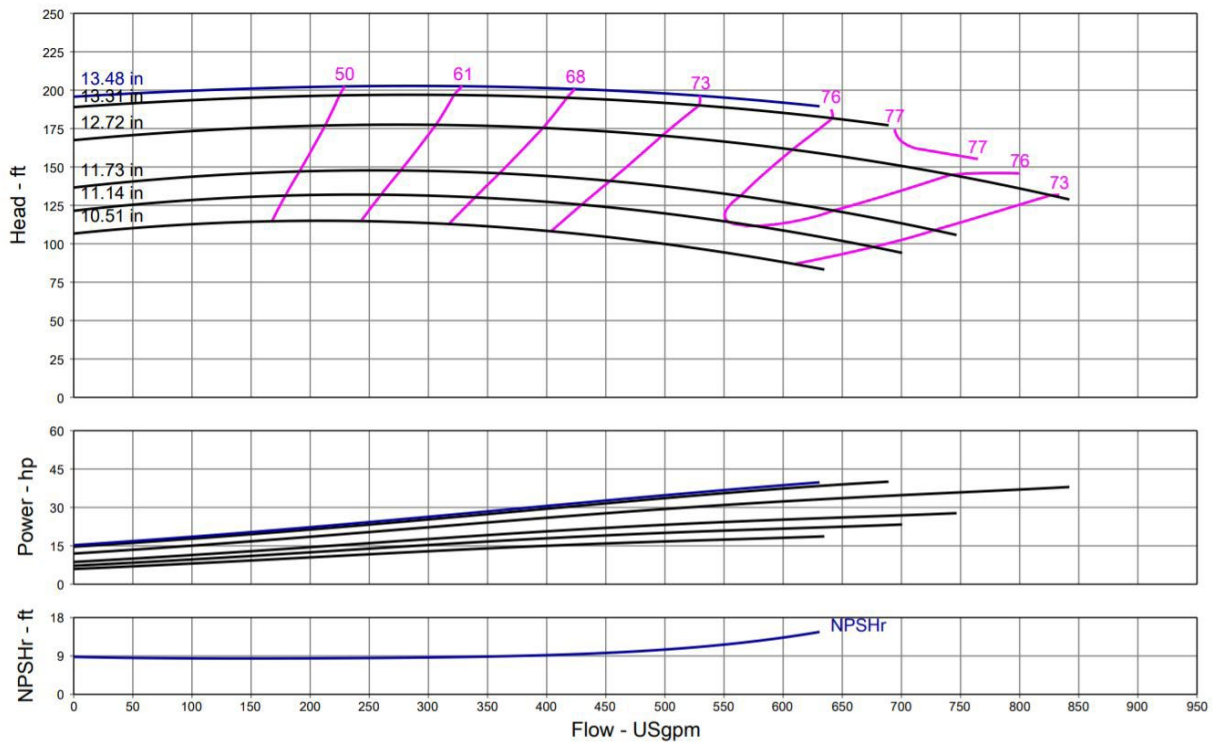


NL-HE 4 x 3 x 12 (4 Pole)



Project:	
Engineer:	
Contractor:	
Submitted By:	Date:
Approved By:	Date:

Tag #	Model #	Flow (USGPM)	Head (Feet)	HP	Enclosure	Frame	Cycle	Phase	Voltage	RPM
	NL-HE 4 x 3 x 12						60Hz	3		



Technical Data	
PEI	
0.93	
Approved Fluids	
Heating Water	
Cooling and cold water	
Pressure /Temperature Ratings	
Ambient Temperature:	+5 °F to +104 °F (-15 °C to +40 °C)
Max Working Pressure & Temperature:	189 psi (up to 284 °F Fluid Temperature) 232 psi (up to 248 °F Fluid Temperature)
Water-Glycol Mixtures for 20-40% glycol and fluid temp ≤ 104°F (40°C)	

Materials of Construction	
Pump Housing	EN-GL-250 Gray Cast Iron
Impeller	EN 1.4408 Cast Stainless Steel
Impeller (optional)	CC480K Bronze or EN-GJL 1030 Cast Iron
Pump Shaft	1.4021 + QT700 Stainless Steel
Mechanical Seal	Carbon/silicon carbide/EPDM (E1)
Other Mechanical Seals	Avail. on request
Additional Spacer Coupling	Avail. on request
Other:	

Approval Stamp

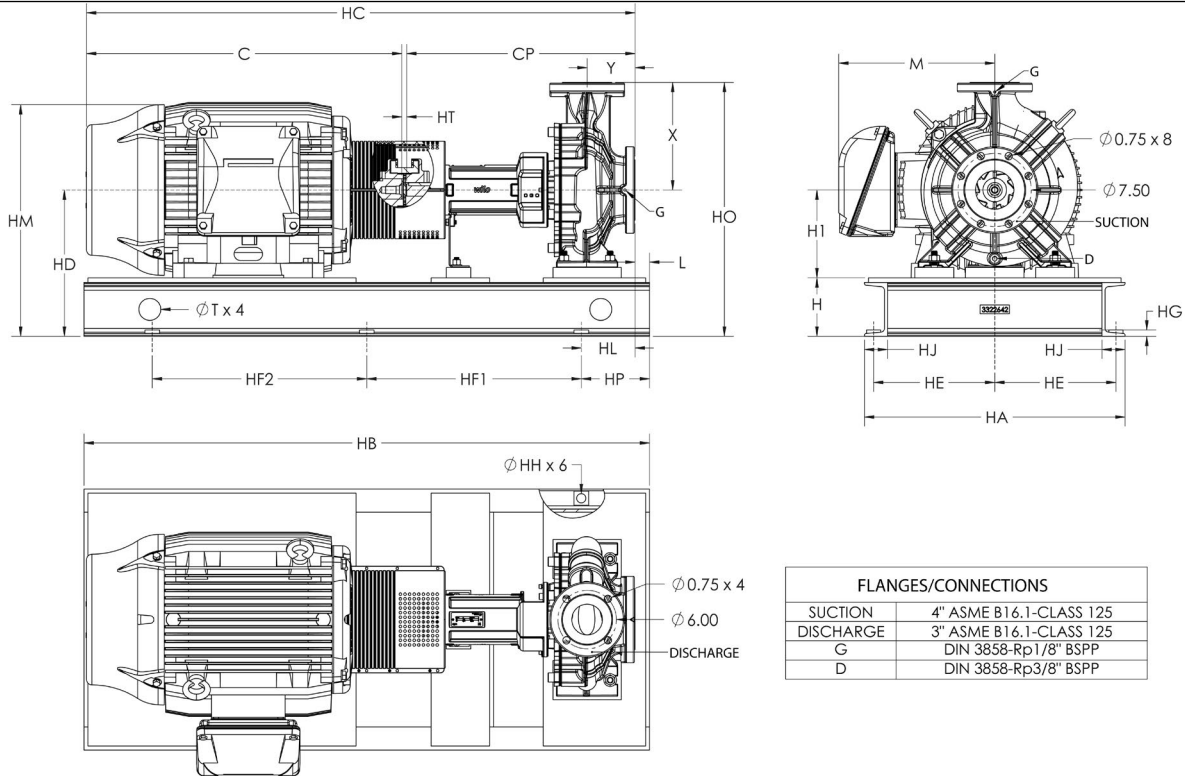
Submittal Data Sheet

Wilo NL-HE - Base Mounted End Suction Pumps



Dimensions & Weights

Wilo NL-HE



NL-HE 4 x 3 x 12

Motor								Dimensions - Inches																								
HP	ENCL	Frame	Volt	RPM	EFF	PF		H	H1	X	HD	HO	HM	M	HA	HE	HG	HJ	Y	HT	HC	C	CP	L	HL	T	HH	HP	HF1	HF2	HB	Wt. (lb)
20	ODP	254/6T	208-230/460	1770	93	0.81		5.9	9.8	12.4	15.7	28.1	21.5	9.5	21.7	9.9	0.64	2.4	4.9	0.50	44.4	20.5	23.4	1.03	3.73	2.25	0.95	4.8	19	19	48	699
20	TEFC	254/6T	208-230/460	1765	93	0.84		5.9	9.8	12.4	15.7	28.1	24.4	10.5	23.7	10.9	0.64	2.4	4.9	0.50	49.0	25.0	23.4	1.03	4.98	2.25	0.95	6.0	20	20	52	903
20	ODP	254/6T	575	1770	93	0.81		5.9	9.8	12.4	15.7	28.1	21.5	9.5	21.7	9.9	0.64	2.4	4.9	0.50	44.4	20.5	23.4	1.03	3.73	2.25	0.95	4.8	19	19	48	698
20	TEFC	254/6T	575	1765	93	0.84		5.9	9.8	12.4	15.7	28.1	24.4	10.5	23.7	10.9	0.64	2.4	4.9	0.50	49.0	25.0	23.4	1.03	4.98	2.25	0.95	6.0	20	20	52	901
25	ODP	284T	208-230/460	1770	93.6	0.84		5.9	9.8	12.4	15.7	28.1	24.5	11.9	23.7	10.9	0.64	2.4	4.9	0.50	47.1	23.2	23.4	1.03	4.98	2.25	0.95	6.0	20	20	52	902
25	TEFC	284/6T	208-230/460	1765	93.6	0.84		5.9	9.8	12.4	15.7	28.1	24.9	11.1	23.7	10.9	0.64	2.4	4.9	0.50	51.9	27.9	23.4	1.03	4.98	2.25	0.95	6.0	20	20	52	966
25	ODP	284T	575	1770	93.6	0.84		5.9	9.8	12.4	15.7	28.1	24.5	11.9	23.7	10.9	0.64	2.4	4.9	0.50	47.1	23.2	23.4	1.03	4.98	2.25	0.95	6.0	20	20	52	901
25	TEFC	284/6T	575	1765	93.6	0.84		5.9	9.8	12.4	15.7	28.1	24.9	11.1	23.7	10.9	0.64	2.4	4.9	0.50	51.9	27.9	23.4	1.03	4.98	2.25	0.95	6.0	20	20	52	964
30	ODP	284/6T	208-230/460	1770	94.1	0.84		5.9	9.8	12.4	15.7	28.1	24.5	11.9	23.7	10.9	0.64	2.4	4.9	0.50	48.6	24.7	23.4	1.03	4.98	2.25	0.95	6.0	20	20	52	955
30	TEFC	284/6T	208-230/460	1765	93.6	0.84		5.9	9.8	12.4	15.7	28.1	24.9	11.1	23.7	10.9	0.64	2.4	4.9	0.50	51.9	27.9	23.4	1.03	4.98	2.25	0.95	6.0	20	20	52	1010
30	ODP	284/6T	575	1770	94.1	0.84		5.9	9.8	12.4	15.7	28.1	24.5	11.9	23.7	10.9	0.64	2.4	4.9	0.50	48.6	24.7	23.4	1.03	4.98	2.25	0.95	6.0	20	20	52	954
30	TEFC	284/6T	575	1765	93.6	0.84		5.9	9.8	12.4	15.7	28.1	24.9	11.1	23.7	10.9	0.64	2.4	4.9	0.50	51.9	27.9	23.4	1.03	4.98	2.25	0.95	6.0	20	20	52	1008
40	ODP	324T	208-230/460	1775	94.1	0.84		5.9	9.8	12.4	15.7	28.1	25.5	13.4	23.7	10.9	0.64	2.4	4.9	0.50	49.8	25.8	23.4	1.03	4.98	2.25	0.95	6.0	20	20	52	1001
40	TEFC	324/6T	208-230/460	1770	94.1	0.85		6.0	9.8	12.4	15.8	28.2	26.2	12.6	26.7	12.4	0.64	2.4	4.9	0.50	55.0	31.1	23.4	1.48	5.53	2.25	0.95	7.0	22	22	58	1202
40	ODP	324T	575	1775	94.1	0.84		5.9	9.8	12.4	15.7	28.1	25.5	13.4	23.7	10.9	0.64	2.4	4.9	0.50	49.8	25.8	23.4	1.03	4.98	2.25	0.95	6.0	20	20	52	999
40	TEFC	324/6T	575	1770	94.1	0.85		6.0	9.8	12.4	15.8	28.2	26.2	12.6	26.7	12.4	0.64	2.4	4.9	0.50	55.0	31.1	23.4	1.48	5.53	2.25	0.95	7.0	22	22	58	1199

Submittal Data Sheet

Wilo NL-HE - Base Mounted End Suction Pumps

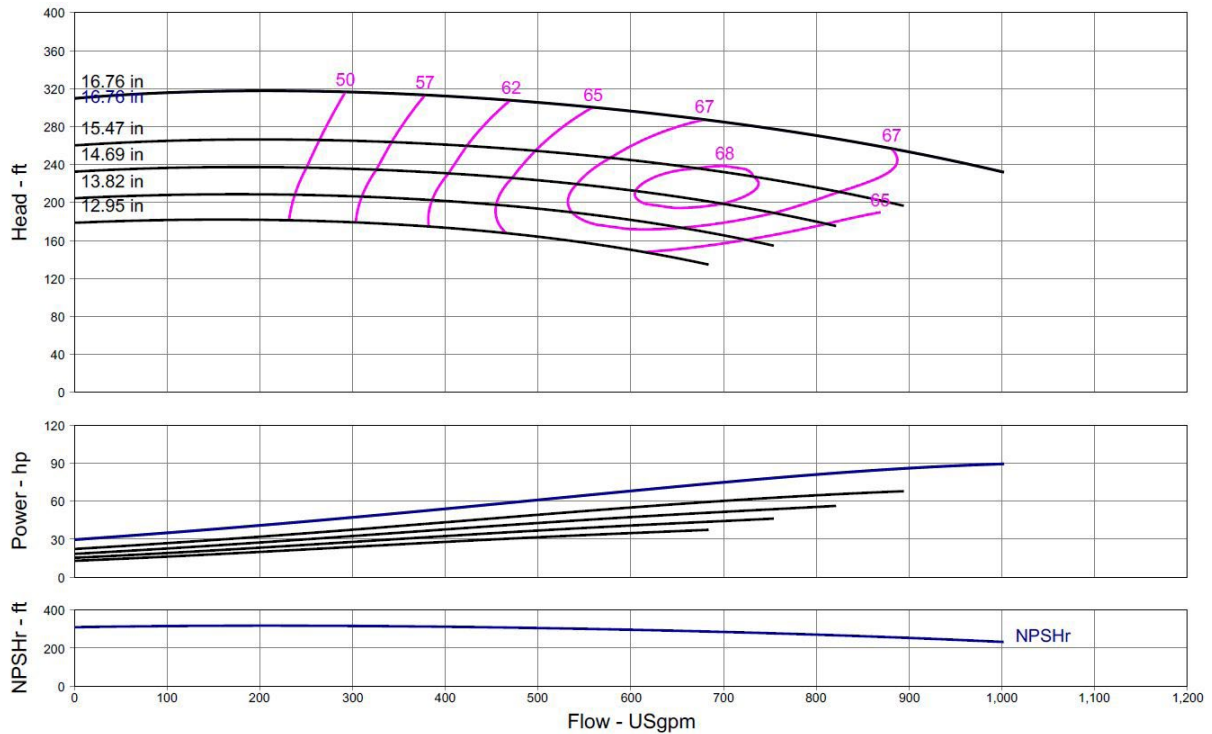


NL-HE 4 x 3 x 16 (4 Pole)



Project:	
Engineer:	
Contractor:	
Submitted By:	Date:
Approved By:	Date:

Tag #	Model #	Flow (USGPM)	Head (Feet)	HP	Enclosure	Frame	Cycle	Phase	Voltage	RPM
	NL-HE 4 x 3 x 16						60Hz	3		



Technical Data	
PEI	
0.96	
Approved Fluids	
Heating Water	
Cooling and cold water	
Pressure /Temperature Ratings	
Ambient Temperature:	+5 °F to +104 °F (-15 °C to +40 °C)
Max Working Pressure & Temperature:	189 psi (up to 284 °F Fluid Temperature) 232 psi (up to 248 °F Fluid Temperature)
Water-Glycol Mixtures for 20-40% glycol and fluid temp ≤ 104°F (40°C)	

Materials of Construction	
Pump Housing	EN-GL-250 Gray Cast Iron
Impeller	EN 1.4408 Cast Stainless Steel
Impeller (optional)	CC480K Bronze or EN-GJL 1030 Cast Iron
Pump Shaft	1.4021 + QT700 Stainless Steel
Mechanical Seal	Carbon/silicon carbide/EPDM (E1)
Other Mechanical Seals	Avail. on request
Additional Spacer Coupling	Avail. on request
Other:	

Approval Stamp

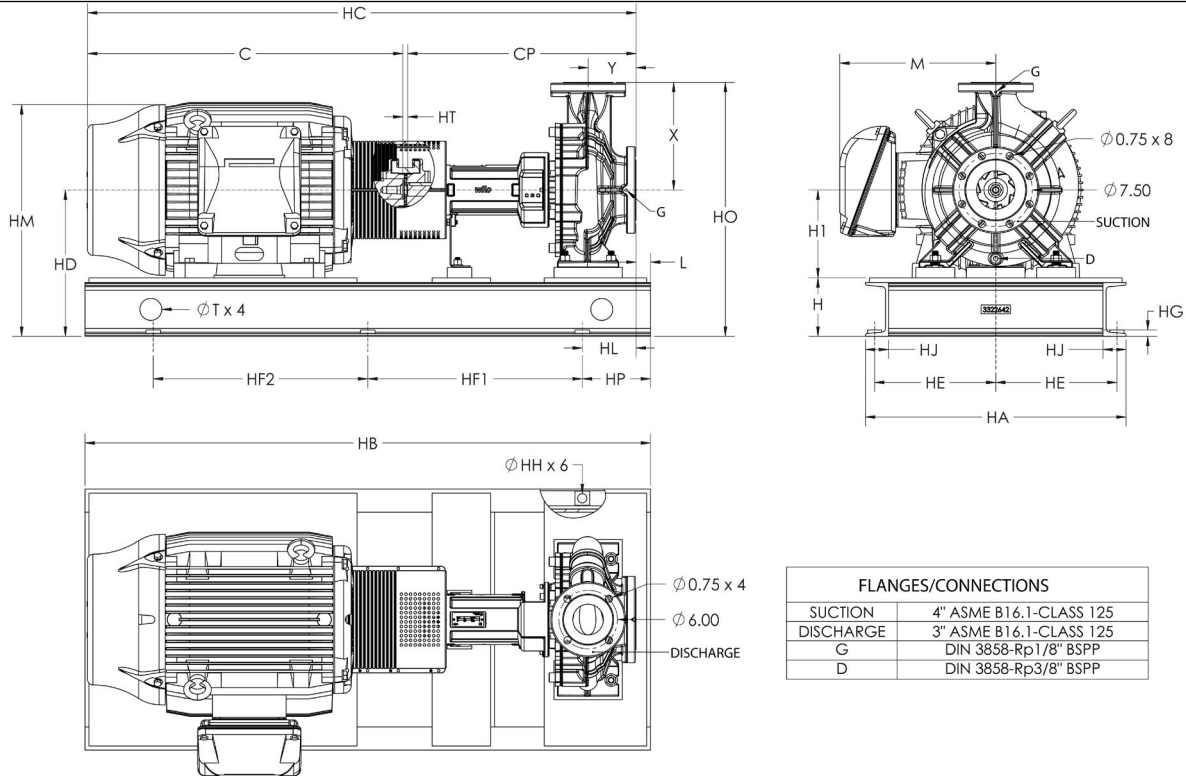
Submittal Data Sheet

Wilo NL-HE - Base Mounted End Suction Pumps



Dimensions & Weights

Wilo NL-HE



FLANGES/CONNECTIONS	
SUCTION	4" ASME B16.1-CLASS 125
DISCHARGE	3" ASME B16.1-CLASS 125
G	DIN 3858-Rp1/8" BSPP
D	DIN 3858-Rp3/8" BSPP

NL-HE 4 x 3 x 16

Motor							Dimensions - Inches																								
HP	ENCL	Frame	Volt	RPM	EFF	PF	H	H1	X	HD	HO	HM	M	HA	HE	HG	HJ	Y	HT	HC	C	CP	L	HL	T	HH	HP	HF1	HF2	HB	Wt. (lb)
40	ODP	324T	208-230/460	1775	94.1	0.84	5.9	11	14	16.9	30.9	26.7	13.4	23.7	10.9	0.64	2.4	4.9	0.50	52.1	25.8	25.8	1.03	4.98	2.25	0.95	6.0	20	20	52	1161
40	TEFC	324/6T	208-230/460	1770	94.1	0.85	6.0	11	14	17.0	31.0	27.4	12.6	26.2	12.2	0.64	2.4	4.9	0.50	57.4	31.1	25.8	1.78	5.23	2.25	0.95	7.0	23	23	60	1361
40	ODP	324T	575	1775	94.1	0.84	5.9	11	14	16.9	30.9	26.7	13.4	23.7	10.9	0.64	2.4	4.9	0.50	52.1	25.8	25.8	1.03	4.98	2.25	0.95	6.0	20	20	52	1159
40	TEFC	324/6T	575	1770	94.1	0.85	6.0	11	14	17.0	31.0	27.4	12.6	26.2	12.2	0.64	2.4	4.9	0.50	57.4	31.1	25.8	1.78	5.23	2.25	0.95	7.0	23	23	60	1358
50	ODP	324/6T	208-230/460	1775	94.5	0.84	5.9	11	14	16.9	30.9	26.7	13.4	26.2	12.2	0.64	2.4	4.9	0.50	53.6	27.3	25.8	1.73	4.78	2.25	0.95	6.5	21	21	55	1260
50	TEFC	324/6T	208-230/460	1775	94.5	0.83	6.0	11	14	17.0	31.0	27.4	12.6	26.2	12.2	0.64	2.4	4.9	0.50	57.4	31.1	25.8	1.78	5.23	2.25	0.95	7.0	23	23	60	1382
50	ODP	324/6T	575	1775	94.5	0.84	5.9	11	14	16.9	30.9	26.7	13.4	26.2	12.2	0.64	2.4	4.9	0.50	53.6	27.3	25.8	1.73	4.78	2.25	0.95	6.5	21	21	55	1257
50	TEFC	324/6T	575	1775	94.5	0.83	6.0	11	14	17.0	31.0	27.4	12.6	26.2	12.2	0.64	2.4	4.9	0.50	57.4	31.1	25.8	1.78	5.23	2.25	0.95	7.0	23	23	60	1379
60	ODP	364/5T	208-230/460	1780	95	0.85	6.0	11	14	17.0	31.0	29.2	15.6	26.2	12.2	0.64	2.4	4.9	0.50	56.0	29.7	25.8	1.68	6.33	2.25	0.95	7.0	23	23	60	1527
60	TEFC	364/5T	208-230/460	1780	95	0.83	6.1	11	14	17.1	31.1	26.1	16.0	28.7	13.4	0.64	2.4	4.9	0.50	60.8	34.5	25.8	1.68	6.33	2.25	0.95	8.0	25	25	66	1753
60	ODP	364/5T	575	1780	95	0.85	6.0	11	14	17.0	31.0	29.2	15.6	26.2	12.2	0.64	2.4	4.9	0.50	56.0	29.7	25.8	1.78	5.23	2.25	0.95	7.0	23	23	60	1524
60	TEFC	364/5T	575	1780	95	0.83	6.1	11	14	17.1	31.1	26.1	16.0	28.7	13.4	0.64	2.4	4.9	0.50	60.8	34.5	25.8	1.68	6.33	2.25	0.95	8.0	25	25	66	1746
75	ODP	364/5T	208-230/460	1780	95	0.85	6.0	11	14	17.0	31.0	29.2	15.6	26.2	12.2	0.64	2.4	4.9	0.50	56.0	29.7	25.8	1.78	5.23	2.25	0.95	7.0	23	23	60	1574
75	TEFC	364/5T	208-230/460	1780	95.4	0.83	6.1	11	14	17.1	31.1	26.1	16.0	28.7	13.4	0.64	2.4	4.9	0.50	60.8	34.5	25.8	1.68	6.33	2.25	0.95	8.0	25	25	66	1816
75	ODP	364/5T	575	1780	95	0.85	6.0	11	14	17.0	31.0	29.2	15.6	26.2	12.2	0.64	2.4	4.9	0.50	56.0	29.7	25.8	1.78	5.23	2.25	0.95	7.0	23	23	60	1571
75	TEFC	364/5T	575	1780	95.4	0.83	6.1	11	14	17.1	31.1	26.1	16.0	28.7	13.4	0.64	2.4	4.9	0.50	60.8	34.5	25.8	1.68	6.33	2.25	0.95	8.0	25	25	66	1812
100	ODP	404/5T	208-230/460	1780	95.4	0.86	6.1	11	14	17.1	31.1	29.3	15.6	29.7	13.9	0.64	2.4	4.9	0.50	60.4	34.1	25.8	1.68	6.33	2.25	0.95	8.0	25	25	66	1843
100	TEFC	404/5T	208-230/460	1780	95.4	0.87	6.1	11	14	17.1	31.1	26.7	16.0	29.7	13.9	0.64	2.4	4.9	0.50	66.0	39.7	25.8	1.68	6.33	2.25	0.95	8.0	25	25	66	2058
100	ODP	404/5T	575	1780	95.4	0.86	6.1	11	14	17.1	31.1	29.3	15.6	29.7	13.9	0.64	2.4	4.9	0.50	60.4	34.1	25.8	1.68	6.33	2.25	0.95	8.0	25	25	66	1837
100	TEFC	404/5T	575	1780	95.4	0.87	6.1	11	14	17.1	31.1	26.7	16.0	29.7	13.9	0.64	2.4	4.9	0.50	66.0	39.7	25.8	1.68	6.33	2.25	0.95	8.0	25	25	66	2051