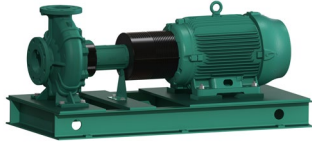


Submittal Data Sheet

Wilo NL-HE – Base Mounted End Suction Pumps

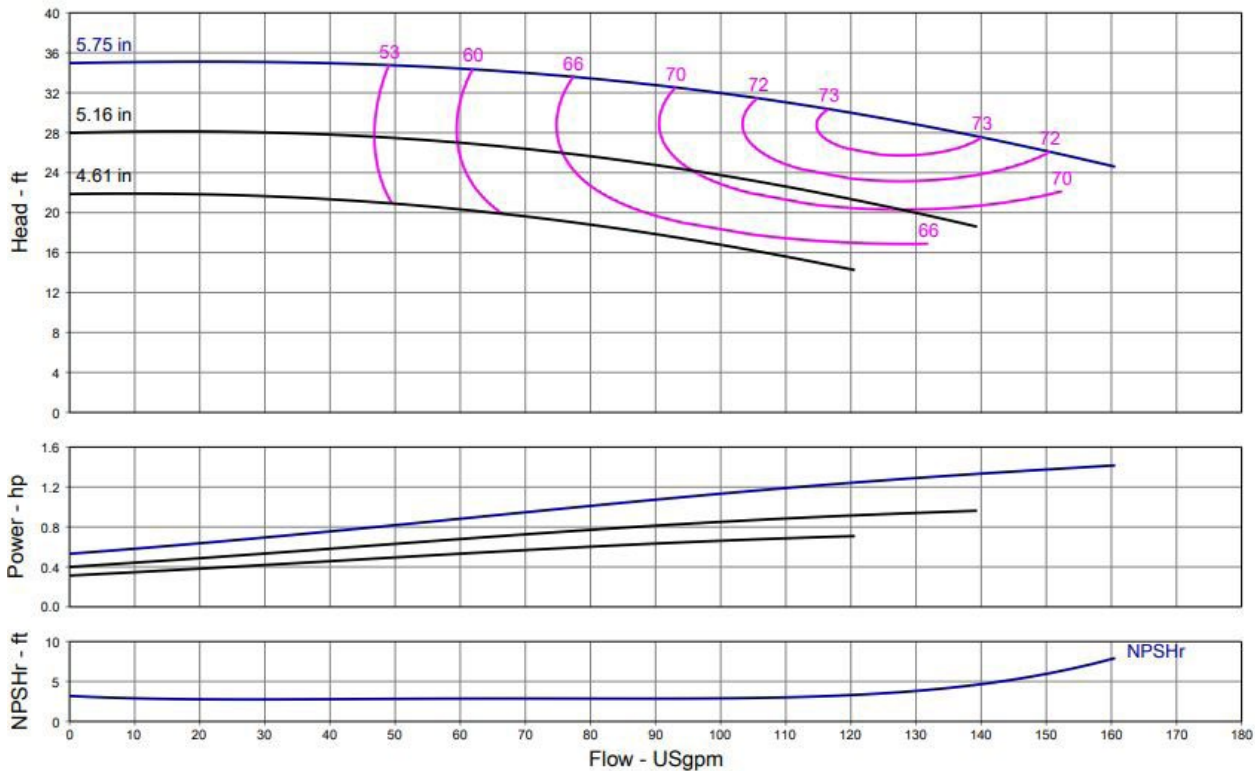


NL-HE 2.5 x 1.5 x 5 (4 Pole)



Project:	
Engineer:	
Contractor:	
Submitted By:	Date:
Approved By:	Date:

Tag #	Model #	Flow (USGPM)	Head (Feet)	HP	Enclosure	Frame	Cycle	Phase	Voltage	RPM
	NL-HE 2.5 x 1.5 x 5						60Hz	3		



Technical Data	
PEI	
0.94	
Approved Fluids	
Heating Water	
Cooling and cold water	
Pressure /Temperature Ratings	
Ambient Temperature:	+5 °F to +104 °F (-15 °C to +40 °C)
Max Working Pressure & Temperature:	189 psi (up to 284 °F Fluid Temperature) 232 psi (up to 248 °F Fluid Temperature)
Water-Glycol Mixtures for 20-40% glycol and fluid temp ≤ 104°F (40°C)	

Materials of Construction	
Pump Housing	EN-GL-250 Gray Cast Iron
Impeller	EN 1.4408 Cast Stainless Steel
Impeller (optional)	CC480K Bronze or EN-GJL 1030 Cast Iron
Pump Shaft	1.4021 + QT700 Stainless Steel
Mechanical Seal	Carbon/silicon carbide/ EPDM (E1)
Other Mechanical Seals	Avail. on request
Additional Spacer Coupling	Avail. on request
Other:	

Approval Stamp

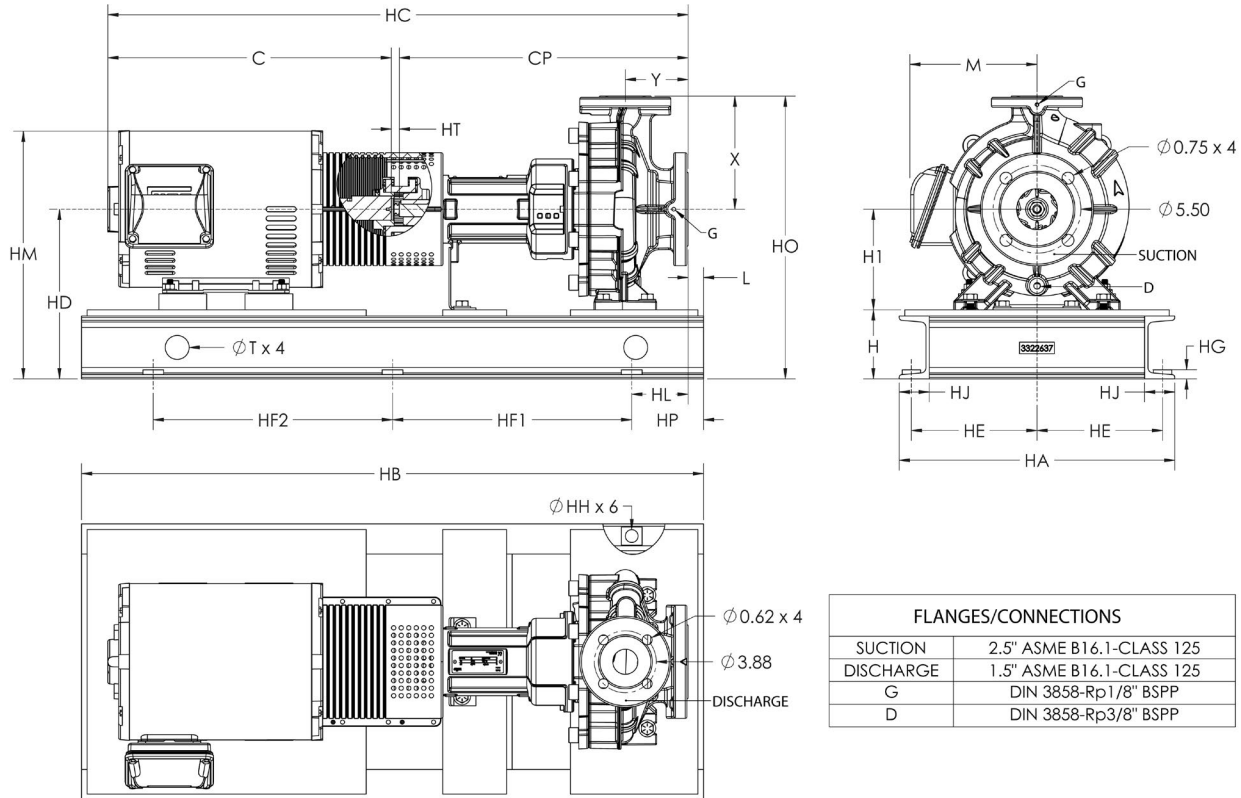
Submittal Data Sheet

Wilo NL-HE - Base Mounted End Suction Pumps



Dimensions & Weights

Wilo NL-HE



NL-HE 2.5 x 1.5 x 5

Motor							Dimensions - Inches																				Wt. (lb)				
HP	ENCL	Frame	Volt	RPM	EFF	PF	H	H1	X	HD	HO	HM	M	HA	HE	HG	HJ	Y	HT	HC	C	CP	L	HL	T	HH		HP	HF1	HF2	HB
0.75	ODP	56	208-230/460	1760	81.1	0.74	4.3	4.4	5.5	8.7	14.3	12.0	-	16.3	7.4	0.57	1.9	3.1	0.50	28.9	11.1	17.3	1.75	1.75	1.50	0.80	3.5	13	13	33	207
0.75	TEFC	56	208-230/460	1755	78.5	0.72	4.3	4.4	5.5	8.7	14.3	12.6	5.9	16.3	7.4	0.57	1.9	3.1	0.50	29.8	11.9	17.3	1.75	1.75	1.50	0.80	3.5	13	13	33	207
0.75	ODP	56	575	1760	81.1	0.74	4.3	4.4	5.5	8.7	14.3	12.0	-	16.3	7.4	0.57	1.9	3.1	0.50	28.9	11.1	17.3	1.75	1.75	1.50	0.80	3.5	13	13	33	207
0.75	TEFC	56	575	1755	78.5	0.72	4.3	4.4	5.5	8.7	14.3	12.6	5.9	16.3	7.4	0.57	1.9	3.1	0.50	29.8	11.9	17.3	1.75	1.75	1.50	0.80	3.5	13	13	33	207
1	ODP	143/ST	208-230/460	1760	85.5	0.73	4.3	4.4	5.5	8.7	14.3	12.0	5.9	16.3	7.4	0.57	1.9	3.1	0.50	29.0	11.2	17.3	1.75	1.75	1.50	0.80	3.5	13	13	33	219
1	TEFC	143/ST	208-230/460	1760	85.5	0.75	4.3	4.4	5.5	8.7	14.3	12.4	5.9	16.3	7.4	0.57	1.9	3.1	0.50	31.2	13.4	17.3	1.90	1.60	1.50	0.80	3.5	13	13	33	229
1	ODP	143/ST	575	1760	85.5	0.73	4.3	4.4	5.5	8.7	14.3	12.0	5.9	16.3	7.4	0.57	1.9	3.1	0.50	29.0	11.2	17.3	1.75	1.75	1.50	0.80	3.5	13	13	33	219
1	TEFC	143/ST	575	1760	85.5	0.75	4.3	4.4	5.5	8.7	14.3	12.4	5.9	16.3	7.4	0.57	1.9	3.1	0.50	31.2	13.4	17.3	1.90	1.60	1.50	0.80	3.5	13	13	33	229
1.5	ODP	143/ST	208-230/460	1760	86.5	0.77	4.3	4.4	5.5	8.7	14.3	12.0	5.9	16.3	7.4	0.57	1.9	3.1	0.50	30.2	12.3	17.3	1.75	1.75	1.50	0.80	3.5	13	13	33	227
1.5	TEFC	143/ST	208-230/460	1755	86.5	0.79	4.3	4.4	5.5	8.7	14.3	12.4	5.9	16.3	7.4	0.57	1.9	3.1	0.50	31.2	13.4	17.3	1.90	1.60	1.50	0.80	3.5	13	13	33	236
1.5	ODP	143/ST	575	1760	86.5	0.77	4.3	4.4	5.5	8.7	14.3	12.0	5.9	16.3	7.4	0.57	1.9	3.1	0.50	30.2	12.3	17.3	1.75	1.75	1.50	0.80	3.5	13	13	33	226
1.5	TEFC	143/ST	575	1755	86.5	0.79	4.3	4.4	5.5	8.7	14.3	12.4	5.9	16.3	7.4	0.57	1.9	3.1	0.50	31.2	13.4	17.3	1.90	1.60	1.50	0.80	3.5	13	13	33	234
2	ODP	143/ST	208-230/460	1740	86.5	0.81	4.3	4.4	5.5	8.7	14.3	12.0	5.9	16.3	7.4	0.57	1.9	3.1	0.50	30.2	12.3	17.3	1.75	1.75	1.50	0.80	3.5	13	13	33	224
2	TEFC	143/ST	208-230/460	1755	86.5	0.79	4.3	4.4	5.5	8.7	14.3	12.4	5.9	16.3	7.4	0.57	1.9	3.1	0.50	31.2	13.4	17.3	1.90	1.60	1.50	0.80	3.5	13	13	33	235
2	ODP	143/ST	575	1740	86.5	0.81	4.3	4.4	5.5	8.7	14.3	12.0	5.9	16.3	7.4	0.57	1.9	3.1	0.50	30.2	12.3	17.3	1.75	1.75	1.50	0.80	3.5	13	13	33	224
2	TEFC	143/ST	575	1755	86.5	0.79	4.3	4.4	5.5	8.7	14.3	12.4	5.9	16.3	7.4	0.57	1.9	3.1	0.50	31.2	13.4	17.3	1.90	1.60	1.50	0.80	3.5	13	13	33	234

Submittal Data Sheet

Wilo NL-HE – Base Mounted End Suction Pumps

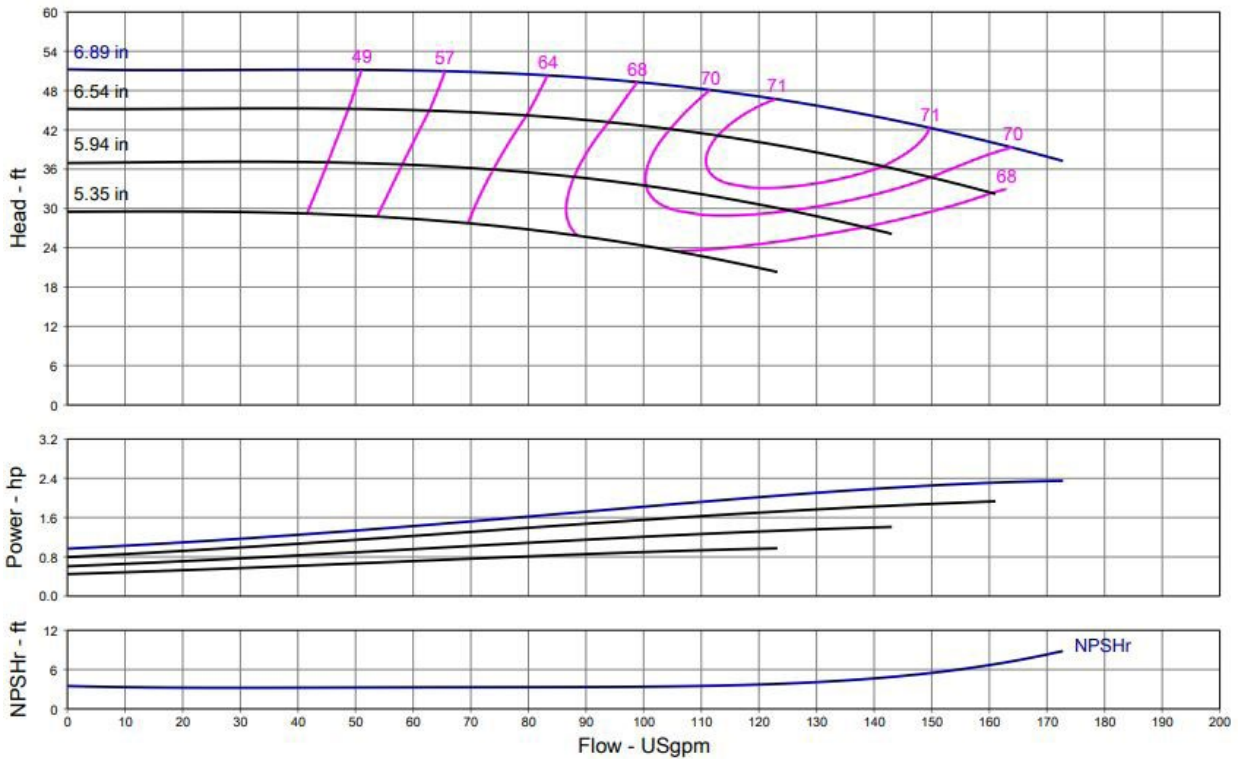


NL-HE 2.5 x 1.5 x 6 (4 Pole)



Project:	
Engineer:	
Contractor:	
Submitted By:	Date:
Approved By:	Date:

Tag #	Model #	Flow (USGPM)	Head (Feet)	HP	Enclosure	Frame	Cycle	Phase	Voltage	RPM
	NL-HE 2.5 x 1.5 x 6						60Hz	3		



Technical Data	
PEI	
0.91	
Approved Fluids	
Heating Water	
Cooling and cold water	
Pressure /Temperature Ratings	
Ambient Temperature:	+5 °F to +104 °F (-15 °C to +40 °C)
Max Working Pressure & Temperature:	189 psi (up to 284 °F Fluid Temperature) 232 psi (up to 248 °F Fluid Temperature)
Water-Glycol Mixtures for 20-40% glycol and fluid temp ≤ 104°F (40°C)	

Materials of Construction	
Pump Housing	EN-GL-250 Gray Cast Iron
Impeller	EN 1.4408 Cast Stainless Steel
Impeller (optional)	CC480K Bronze or EN-GJL 1030 Cast Iron
Pump Shaft	1.4021 + QT700 Stainless Steel
Mechanical Seal	Carbon/silicon carbide/ EPDM (E1)
Other Mechanical Seals	Avail. on request
Additional Spacer Coupling	Avail. on request
Other:	

Approval Stamp

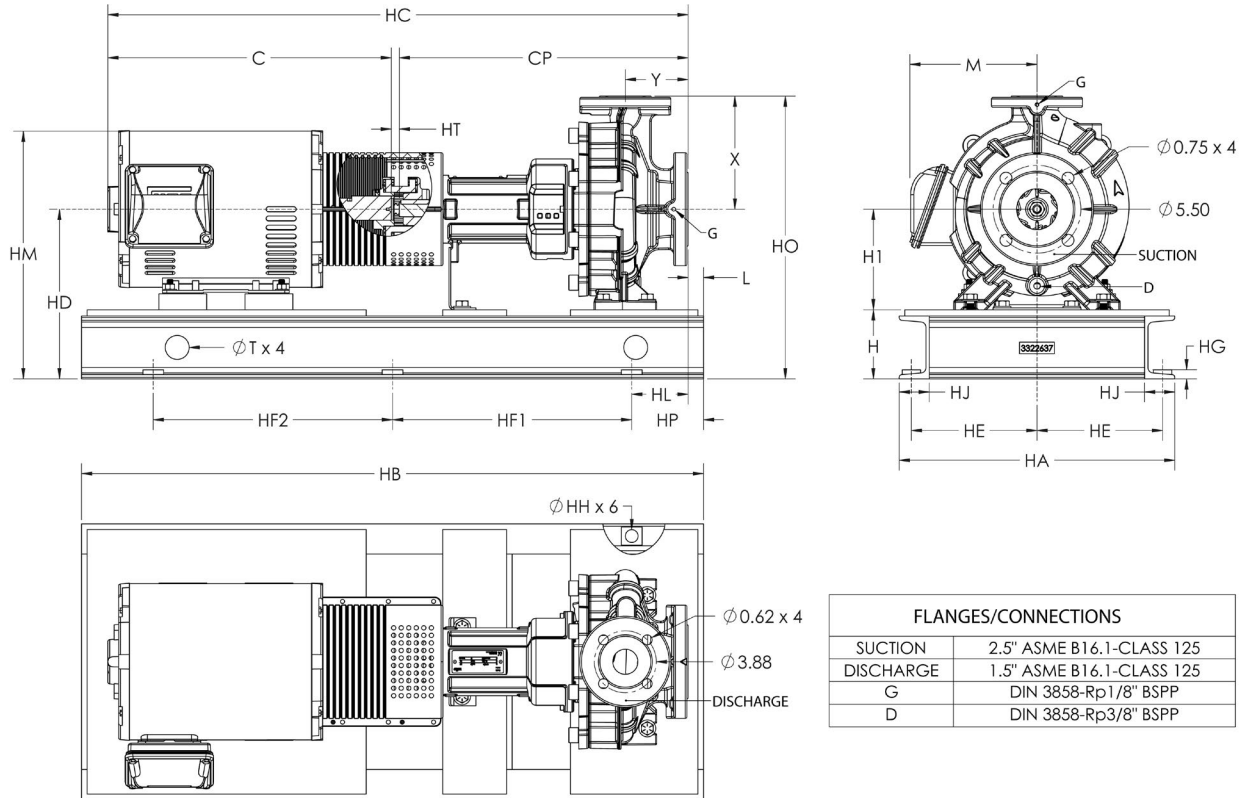
Submittal Data Sheet

Wilo NL-HE - Base Mounted End Suction Pumps



Dimensions & Weights

Wilo NL-HE



FLANGES/CONNECTIONS	
SUCTION	2.5" ASME B16.1-CLASS 125
DISCHARGE	1.5" ASME B16.1-CLASS 125
G	DIN 3858-Rp1/8" BSPP
D	DIN 3858-Rp3/8" BSPP

NL-HE 2.5 x 1.5 x 6

Motor							Dimensions - Inches																				Wt. (lb)				
HP	ENCL	Frame	Volt	RPM	EFF	PF	H	H1	X	HD	HO	HM	M	HA	HE	HG	HJ	Y	HT	HC	C	CP	L	HL	T	HH		HP	HF1	HF2	HB
1	ODP	143/ST	208-230/460	1760	85.5	0.73	4.3	5.2	6.3	9.5	15.8	12.8	5.9	16.3	7.4	0.57	1.9	3.1	0.50	29.0	11.2	17.3	1.75	1.75	1.50	0.80	3.5	13	13	33	228
1	TEFC	143/ST	208-230/460	1760	85.5	0.75	4.3	5.2	6.3	9.5	15.8	13.2	5.9	16.3	7.4	0.57	1.9	3.1	0.50	31.2	13.4	17.3	1.75	1.75	1.50	0.80	3.5	13	13	33	239
1	ODP	143/ST	575	1760	85.5	0.73	4.3	5.2	6.3	9.5	15.8	12.8	5.9	16.3	7.4	0.57	1.9	3.1	0.50	29.0	11.2	17.3	1.75	1.75	1.50	0.80	3.5	13	13	33	228
1	TEFC	143/ST	575	1760	85.5	0.75	4.3	5.2	6.3	9.5	15.8	13.2	5.9	16.3	7.4	0.57	1.9	3.1	0.50	31.2	13.4	17.3	1.75	1.75	1.50	0.80	3.5	13	13	33	238
1.5	ODP	143/ST	208-230/460	1760	86.5	0.77	4.3	5.2	6.3	9.5	15.8	12.8	5.9	16.3	7.4	0.57	1.9	3.1	0.50	30.2	12.3	17.3	1.75	1.75	1.50	0.80	3.5	13	13	33	236
1.5	TEFC	143/ST	208-230/460	1755	86.5	0.79	4.3	5.2	6.3	9.5	15.8	13.2	5.9	16.3	7.4	0.57	1.9	3.1	0.50	31.2	13.4	17.3	1.75	1.75	1.50	0.80	3.5	13	13	33	245
1.5	ODP	143/ST	575	1760	86.5	0.77	4.3	5.2	6.3	9.5	15.8	12.8	5.9	16.3	7.4	0.57	1.9	3.1	0.50	30.2	12.3	17.3	1.75	1.75	1.50	0.80	3.5	13	13	33	236
1.5	TEFC	143/ST	575	1755	86.5	0.79	4.3	5.2	6.3	9.5	15.8	13.2	5.9	16.3	7.4	0.57	1.9	3.1	0.50	31.2	13.4	17.3	1.75	1.75	1.50	0.80	3.5	13	13	33	244
2	ODP	143/ST	208-230/460	1740	86.5	0.81	4.3	5.2	6.3	9.5	15.8	12.8	5.9	16.3	7.4	0.57	1.9	3.1	0.50	30.2	12.3	17.3	1.75	1.75	1.50	0.80	3.5	13	13	33	234
2	TEFC	143/ST	208-230/460	1755	86.5	0.79	4.3	5.2	6.3	9.5	15.8	13.2	5.9	16.3	7.4	0.57	1.9	3.1	0.50	31.2	13.4	17.3	1.75	1.75	1.50	0.80	3.5	13	13	33	244
2	ODP	143/ST	575	1740	86.5	0.81	4.3	5.2	6.3	9.5	15.8	12.8	5.9	16.3	7.4	0.57	1.9	3.1	0.50	30.2	12.3	17.3	1.75	1.75	1.50	0.80	3.5	13	13	33	233
2	TEFC	143/ST	575	1755	86.5	0.79	4.3	5.2	6.3	9.5	15.8	13.2	5.9	16.3	7.4	0.57	1.9	3.1	0.50	31.2	13.4	17.3	1.75	1.75	1.50	0.80	3.5	13	13	33	244
3	ODP	182/4T	208-230/460	1765	89.5	0.8	4.3	5.2	6.3	9.5	15.8	13.6	6.7	17.3	7.9	0.57	1.9	3.1	0.50	33.0	15.2	17.3	1.75	2.75	1.50	0.80	4.5	13	13	35	273
3	TEFC	182/4T	208-230/460	1760	89.5	0.79	4.3	5.2	6.3	9.5	15.8	13.9	7.6	17.3	7.9	0.57	1.9	3.1	0.50	33.7	15.9	17.3	1.75	2.75	1.50	0.80	4.5	13	13	35	296
3	ODP	182/4T	575	1765	89.5	0.8	4.3	5.2	6.3	9.5	15.8	13.6	6.7	17.3	7.9	0.57	1.9	3.1	0.50	33.0	15.2	17.3	1.75	2.75	1.50	0.80	4.5	13	13	35	273
3	TEFC	182/4T	575	1760	89.5	0.79	4.3	5.2	6.3	9.5	15.8	13.9	7.6	17.3	7.9	0.57	1.9	3.1	0.50	33.7	15.9	17.3	1.75	2.75	1.50	0.80	4.5	13	13	35	295

Submittal Data Sheet

Wilco NL-HE - Base Mounted End Suction Pumps

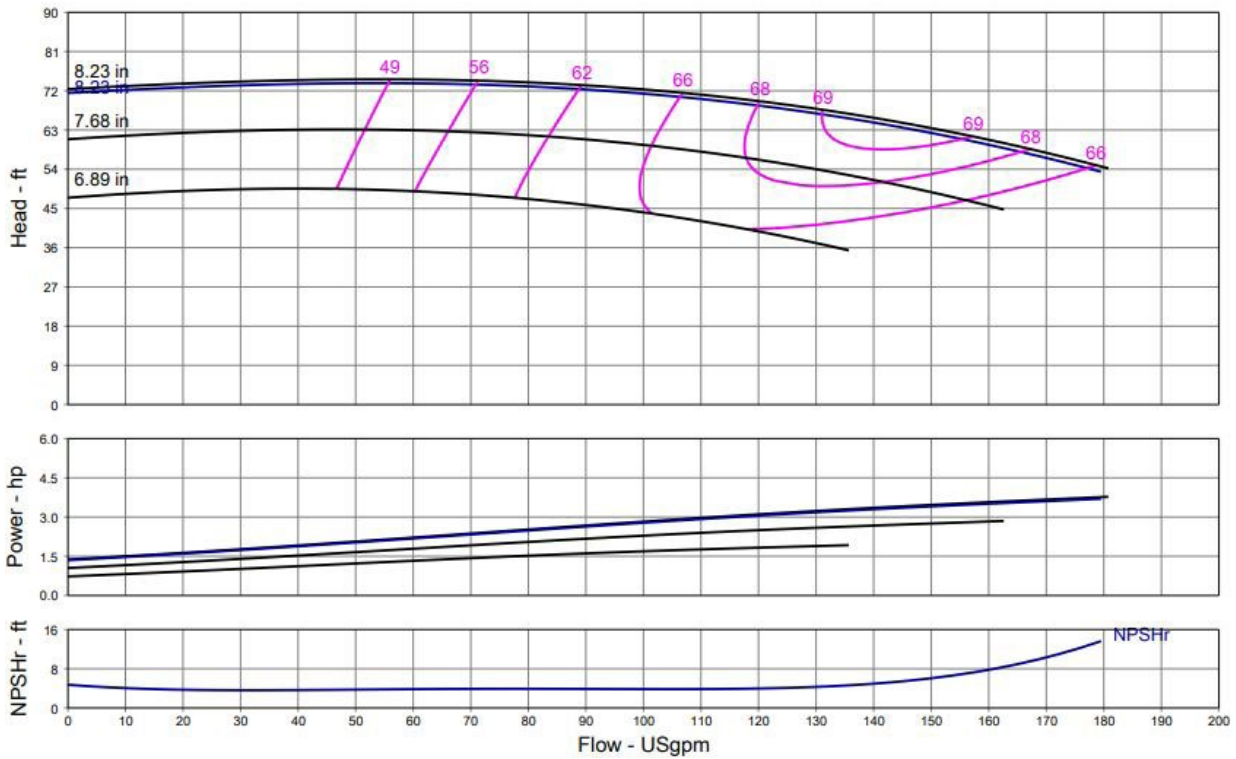


NL-HE 2.5 x 1.5 x 8 (4 Pole)



Project:	
Engineer:	
Contractor:	
Submitted By:	Date:
Approved By:	Date:

Tag #	Model #	Flow (USGPM)	Head (Feet)	HP	Enclosure	Frame	Cycle	Phase	Voltage	RPM
	NL-HE 2.5 x 1.5 x 8						60Hz	3		



Technical Data	
PEI	
0.91	
Approved Fluids	
Heating Water	
Cooling and cold water	
Pressure /Temperature Ratings	
Ambient Temperature:	+5 °F to +104 °F (-15 °C to +40 °C)
Max Working Pressure & Temperature:	189 psi (up to 284 °F Fluid Temperature) 232 psi (up to 248 °F Fluid Temperature)
Water-Glycol Mixtures for 20-40% glycol and fluid temp ≤ 104°F (40°C)	

Materials of Construction	
Pump Housing	EN-GL-250 Gray Cast Iron
Impeller	EN 1.4408 Cast Stainless Steel
Impeller (optional)	CC480K Bronze or EN-GJL 1030 Cast Iron
Pump Shaft	1.4021 + QT700 Stainless Steel
Mechanical Seal	Carbon/silicon carbide/ EPDM (E1)
Other Mechanical Seals	Avail. on request
Additional Spacer Coupling	Avail. on request
Other:	

Approval Stamp

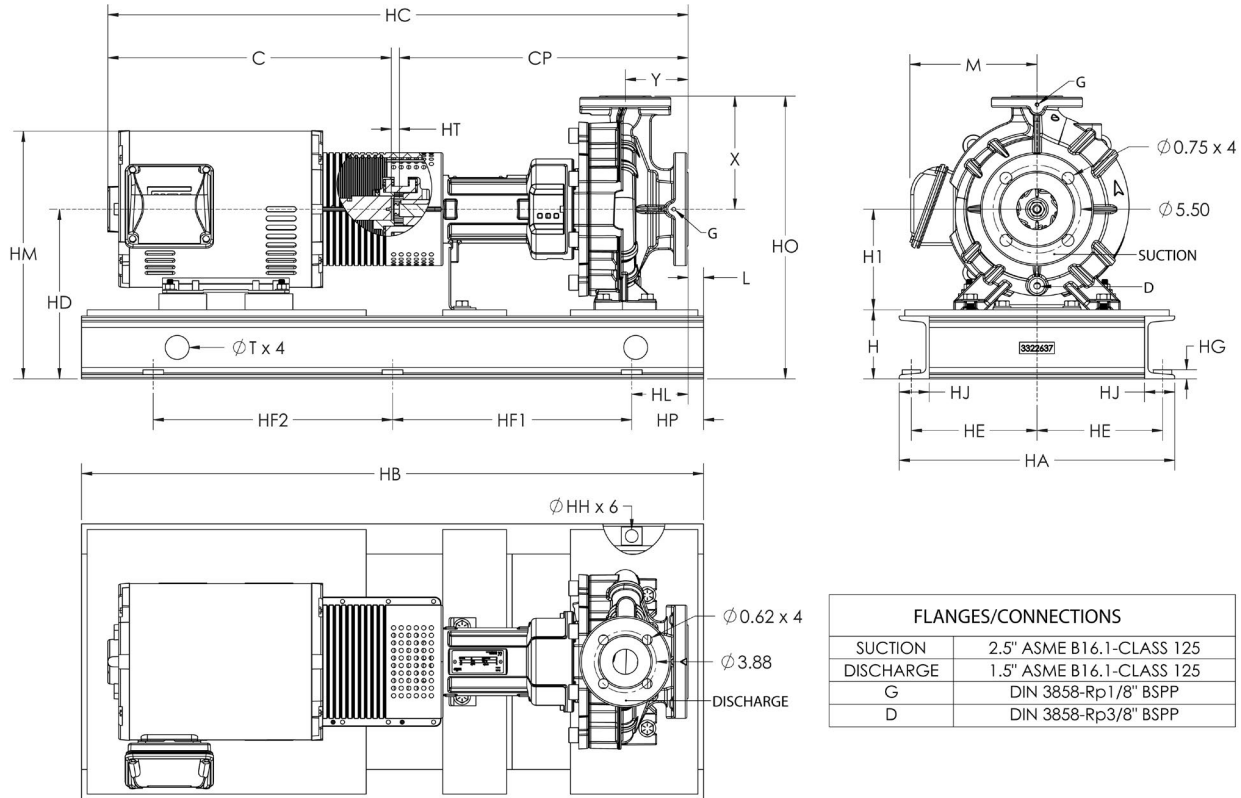
Submittal Data Sheet

Wilo NL-HE - Base Mounted End Suction Pumps



Dimensions & Weights

Wilo NL-HE



NL-HE 2.5 x 1.5 x 8

Motor							Dimensions - Inches																								Wt. (lb)
HP	ENCL	Frame	Volt	RPM	EFF	PF	H	H1	X	HD	HO	HM	M	HA	HE	HG	HJ	Y	HT	HC	C	CP	L	HL	T	HH	HP	HF1	HF2	HB	
2	ODP	143/5T	208-230/460	1740	86.5	0.81	4.3	6.3	7.1	10.6	17.7	13.9	5.9	16.3	7.4	0.57	1.9	3.9	0.50	31.0	12.3	18.1	0.96	2.54	1.50	0.80	3.5	13	13	33	253
2	TEFC	143/5T	208-230/460	1755	86.5	0.79	4.3	6.3	7.1	10.6	17.7	14.3	5.9	16.3	7.4	0.57	1.9	3.9	0.50	32.0	13.4	18.1	0.96	2.54	1.50	0.80	3.5	13	13	33	264
2	ODP	143/5T	575	1740	86.5	0.81	4.3	6.3	7.1	10.6	17.7	13.9	5.9	16.3	7.4	0.57	1.9	3.9	0.50	31.0	12.3	18.1	0.96	2.54	1.50	0.80	3.5	13	13	33	252
2	TEFC	143/5T	575	1755	86.5	0.79	4.3	6.3	7.1	10.6	17.7	14.3	5.9	16.3	7.4	0.57	1.9	3.9	0.50	32.0	13.4	18.1	0.96	2.54	1.50	0.80	3.5	13	13	33	263
3	ODP	182/4T	208-230/460	1765	89.5	0.8	4.3	6.3	7.1	10.6	17.7	14.7	6.7	17.3	7.9	0.57	1.9	3.9	0.50	33.8	15.2	18.1	0.96	3.54	1.50	0.80	4.5	13	13	35	292
3	TEFC	182/4T	208-230/460	1760	89.5	0.79	4.3	6.3	7.1	10.6	17.7	15.0	7.6	17.3	7.9	0.57	1.9	3.9	0.50	34.5	15.9	18.1	0.96	3.54	1.50	0.80	4.5	13	13	35	317
3	ODP	182/4T	575	1765	89.5	0.8	4.3	6.3	7.1	10.6	17.7	14.7	6.7	17.3	7.9	0.57	1.9	3.9	0.50	33.8	15.2	18.1	0.96	3.54	1.50	0.80	4.5	13	13	35	292
3	TEFC	182/4T	575	1760	89.5	0.79	4.3	6.3	7.1	10.6	17.7	15.0	7.6	17.3	7.9	0.57	1.9	3.9	0.50	34.5	15.9	18.1	0.96	3.54	1.50	0.80	4.5	13	13	35	315
5	ODP	182/4T	208-230/460	1760	89.5	0.82	4.3	6.3	7.1	10.6	17.7	14.7	6.7	17.3	7.9	0.57	1.9	3.9	0.50	35.0	16.3	18.1	0.96	3.54	1.50	0.80	4.5	13	13	35	307
5	TEFC	182/4T	208-230/460	1755	89.5	0.8	4.3	6.3	7.1	10.6	17.7	15.0	7.6	17.3	7.9	0.57	1.9	3.9	0.50	34.5	15.9	18.1	0.96	3.54	1.50	0.80	4.5	13	13	35	324
5	ODP	182/4T	575	1760	89.5	0.82	4.3	6.3	7.1	10.6	17.7	14.7	6.7	17.3	7.9	0.57	1.9	3.9	0.50	35.0	16.3	18.1	0.96	3.54	1.50	0.80	4.5	13	13	35	306
5	TEFC	182/4T	575	1755	89.5	0.8	4.3	6.3	7.1	10.6	17.7	15.0	7.6	17.3	7.9	0.57	1.9	3.9	0.50	34.5	15.9	18.1	0.96	3.54	1.50	0.80	4.5	13	13	35	322

Submittal Data Sheet

Wilco NL-HE - Base Mounted End Suction Pumps

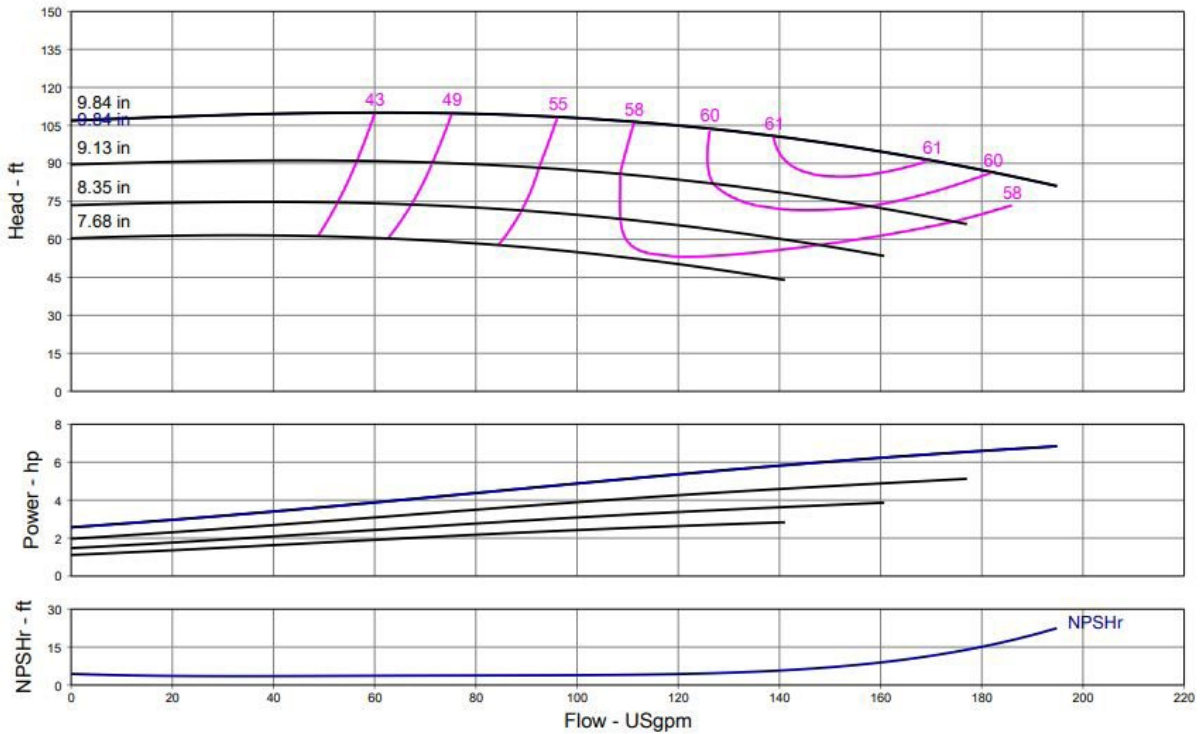


NL-HE 2.5 x 1.5 x 10 (4 Pole)



Project:	
Engineer:	
Contractor:	
Submitted By:	Date:
Approved By:	Date:

Tag #	Model #	Flow (USGPM)	Head (Feet)	HP	Enclosure	Frame	Cycle	Phase	Voltage	RPM
	NL-HE 2.5 x 1.5 x 10						60Hz	3		



Technical Data	
PEI	
0.91	
Approved Fluids	
Heating Water	
Cooling and cold water	
Pressure /Temperature Ratings	
Ambient Temperature:	+5 °F to +104 °F (-15 °C to +40 °C)
Max Working Pressure & Temperature:	189 psi (up to 284 °F Fluid Temperature) 232 psi (up to 248 °F Fluid Temperature)
Water-Glycol Mixtures for 20-40% glycol and fluid temp ≤ 104°F (40°C)	

Materials of Construction	
Pump Housing	EN-GL-250 Gray Cast Iron
Impeller	EN 1.4408 Cast Stainless Steel
Impeller (optional)	CC480K Bronze or EN-GJL 1030 Cast Iron
Pump Shaft	1.4021 + QT700 Stainless Steel
Mechanical Seal	Carbon/silicon carbide/EPDM (E1)
Other Mechanical Seals	Avail. on request
Additional Spacer Coupling	Avail. on request
Other:	

Approval Stamp

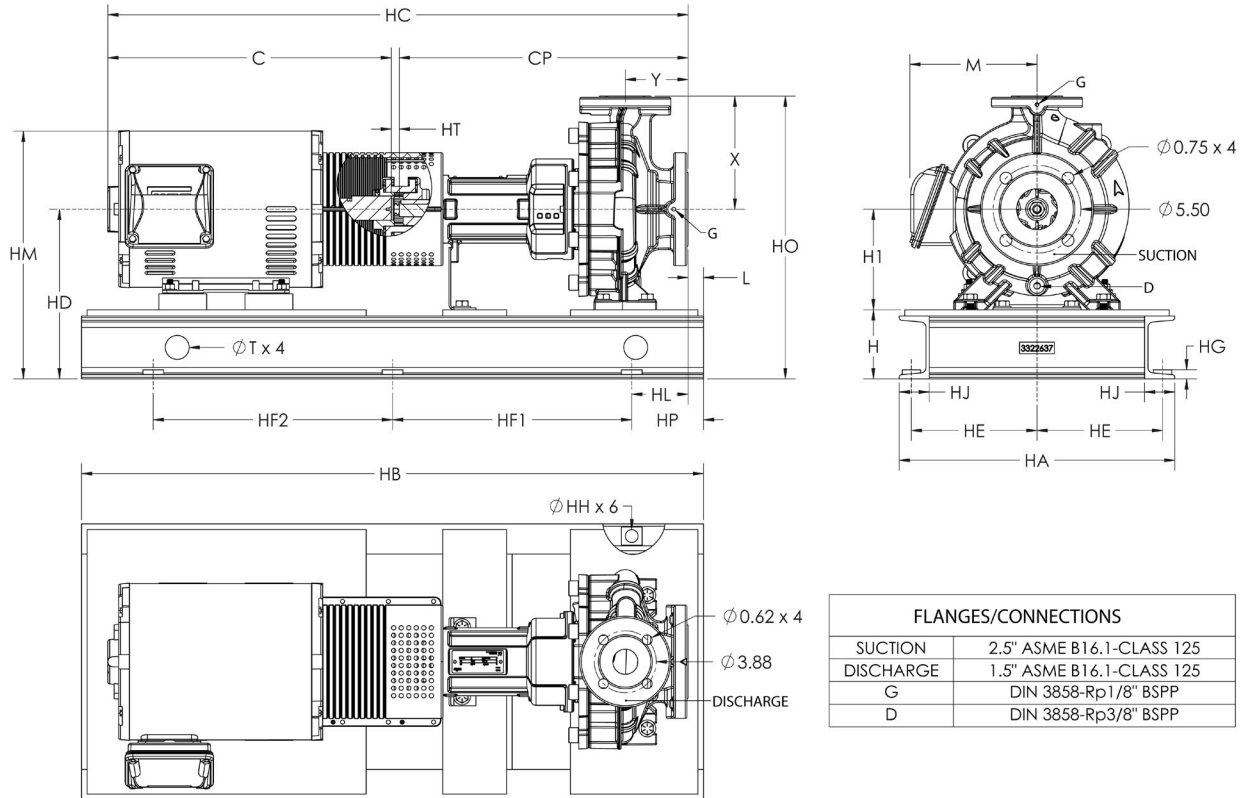
Submittal Data Sheet

Wilo NL-HE - Base Mounted End Suction Pumps



Dimensions & Weights

Wilo NL-HE



FLANGES/CONNECTIONS	
SUCTION	2.5" ASME B16.1-CLASS 125
DISCHARGE	1.5" ASME B16.1-CLASS 125
G	DIN 3858-Rp1/8" BSPP
D	DIN 3858-Rp3/8" BSPP

NL-HE 2.5 x 1.5 x 10

Motor							Dimensions - Inches																								Wt. (lb)
HP	ENCL	Frame	Volt	RPM	EFF	PF	H	H1	X	HD	HO	HM	M	HA	HE	HG	HJ	Y	HT	HC	C	CP	L	HL	T	HH	HP	HF1	HF2	HB	
3	ODP	182/4T	208-230/460	1765	89.5	0.8	4.3	7.1	8.9	11.4	20.3	15.5	6.7	17.3	7.9	0.57	1.9	3.9	0.50	33.8	15.2	18.1	1.01	3.49	1.50	0.80	4.5	13	13	35	316
3	TEFC	182/4T	208-230/460	1760	89.5	0.79	4.3	7.1	8.9	11.4	20.3	15.8	7.6	17.3	7.9	0.57	1.9	3.9	0.50	34.5	15.9	18.1	0.96	3.54	1.50	0.80	4.5	13	13	35	340
3	ODP	182/4T	575	1765	89.5	0.8	4.3	7.1	8.9	11.4	20.3	15.5	6.7	17.3	7.9	0.57	1.9	3.9	0.50	33.8	15.2	18.1	1.01	3.49	1.50	0.80	4.5	13	13	35	315
3	TEFC	182/4T	575	1760	89.5	0.79	4.3	7.1	8.9	11.4	20.3	15.8	7.6	17.3	7.9	0.57	1.9	3.9	0.50	34.5	15.9	18.1	0.96	3.54	1.50	0.80	4.5	13	13	35	338
5	ODP	182/4T	208-230/460	1760	89.5	0.82	4.3	7.1	8.9	11.4	20.3	15.5	6.7	17.3	7.9	0.57	1.9	3.9	0.50	35.0	16.3	18.1	1.01	3.49	1.50	0.80	4.5	13	13	35	330
5	TEFC	182/4T	208-230/460	1755	89.5	0.8	4.3	7.1	8.9	11.4	20.3	15.8	7.6	17.3	7.9	0.57	1.9	3.9	0.50	34.5	15.9	18.1	0.96	3.54	1.50	0.80	4.5	13	13	35	347
5	ODP	182/4T	575	1760	89.5	0.82	4.3	7.1	8.9	11.4	20.3	15.5	6.7	17.3	7.9	0.57	1.9	3.9	0.50	35.0	16.3	18.1	1.01	3.49	1.50	0.80	4.5	13	13	35	329
5	TEFC	182/4T	575	1755	89.5	0.8	4.3	7.1	8.9	11.4	20.3	15.8	7.6	17.3	7.9	0.57	1.9	3.9	0.50	34.5	15.9	18.1	0.96	3.54	1.50	0.80	4.5	13	13	35	345
7.5	ODP	213/5T	208-230/460	1770	91	0.82	4.3	7.1	8.9	11.4	20.3	16.3	8.0	17.3	7.9	0.57	1.9	3.9	0.50	35.2	16.6	18.1	1.01	3.49	1.50	0.80	4.5	15	15	39	373
7.5	TEFC	213/5T	208-230/460	1765	91.7	0.82	4.3	7.1	8.9	11.4	20.3	17.0	8.6	17.3	7.9	0.57	1.9	3.9	0.50	38.2	19.5	18.1	0.96	3.54	1.50	0.80	4.5	15	15	39	424
7.5	ODP	213/5T	575	1770	91	0.82	4.3	7.1	8.9	11.4	20.3	16.3	8.0	17.3	7.9	0.57	1.9	3.9	0.50	35.2	16.6	18.1	1.01	3.49	1.50	0.80	4.5	15	15	39	373
7.5	TEFC	213/5T	575	1765	91.7	0.82	4.3	7.1	8.9	11.4	20.3	17.0	8.6	17.3	7.9	0.57	1.9	3.9	0.50	38.2	19.5	18.1	0.96	3.54	1.50	0.80	4.5	15	15	39	423

Submittal Data Sheet

Wilco NL-HE - Base Mounted End Suction Pumps

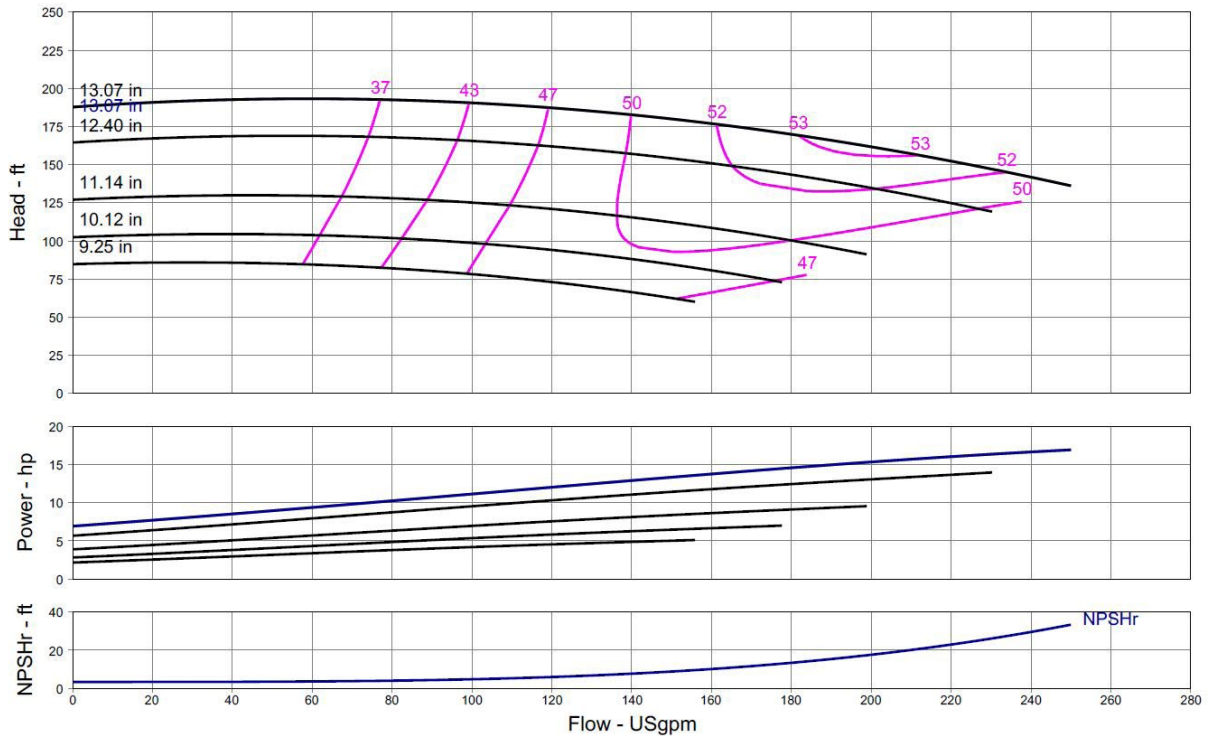


NL-HE 2.5 x 1.5 x 12 (4 Pole)



Project:	
Engineer:	
Contractor:	
Submitted By:	Date:
Approved By:	Date:

Tag #	Model #	Flow (USGPM)	Head (Feet)	HP	Enclosure	Frame	Cycle	Phase	Voltage	RPM
	NL-HE 2.5 x 1.5 x 12						60Hz	3		



Technical Data	
PEI	
0.91	
Approved Fluids	
Heating Water	
Cooling and cold water	
Pressure /Temperature Ratings	
Ambient Temperature:	+5 °F to +104 °F (-15 °C to +40 °C)
Max Working Pressure & Temperature:	189 psi (up to 284 °F Fluid Temperature) 232 psi (up to 248 °F Fluid Temperature)
Water-Glycol Mixtures for 20-40% glycol and fluid temp ≤ 104°F (40°C)	

Materials of Construction	
Pump Housing	EN-GL-250 Gray Cast Iron
Impeller	EN 1.4408 Cast Stainless Steel
Impeller (optional)	CC480K Bronze or EN-GJL 1030 Cast Iron
Pump Shaft	1.4021 + QT700 Stainless Steel
Mechanical Seal	Carbon/silicon carbide/EPDM (E1)
Other Mechanical Seals	Avail. on request
Additional Spacer Coupling	Avail. on request
Other:	



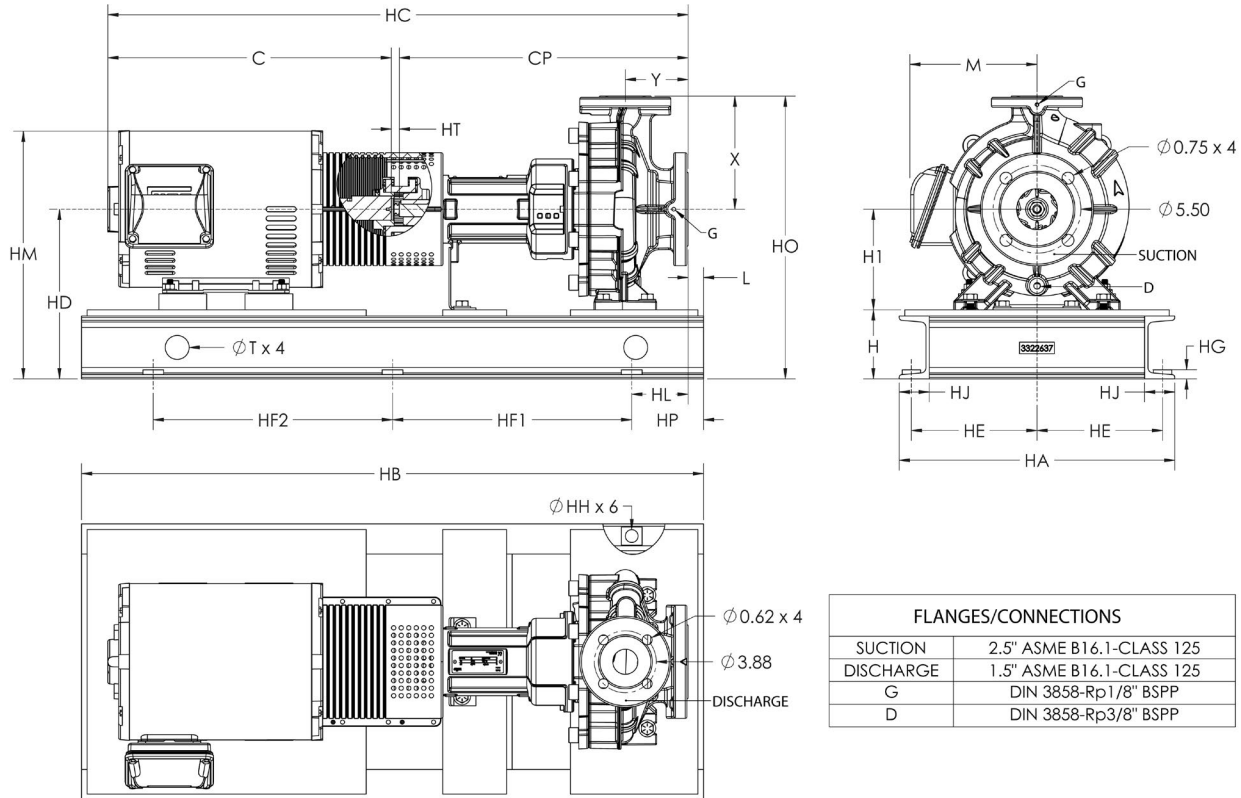
Submittal Data Sheet

Wilo NL-HE - Base Mounted End Suction Pumps



Dimensions & Weights

Wilo NL-HE



NL-HE 2.5 x 1.5 x 12

Motor							Dimensions - Inches																				Wt. (lb)				
HP	ENCL	Frame	Volt	RPM	EFF	PF	H	H1	X	HD	HO	HM	M	HA	HE	HG	HJ	Y	HT	HC	C	CP	L	HL	T	HH		HP	HF1	HF2	HB
7.5	ODP	213/5T	208-230/460	1770	91	0.82	5.9	8.9	9.8	14.8	24.6	19.7	8.0	21.7	9.9	0.64	2.4	4.9	0.50	40.5	16.6	23.4	1.03	3.73	2.25	0.95	4.8	19	19	48	561
7.5	TEFC	213/5T	208-230/460	1765	91.7	0.82	5.9	8.9	9.8	14.8	24.6	20.3	8.6	21.7	9.9	0.64	2.4	4.9	0.50	43.5	19.5	23.4	1.03	3.73	2.25	0.95	4.8	19	19	48	614
7.5	ODP	213/5T	575	1770	91	0.82	5.9	8.9	9.8	14.8	24.6	19.7	8.0	21.7	9.9	0.64	2.4	4.9	0.50	40.5	16.6	23.4	1.03	3.73	2.25	0.95	4.8	19	19	48	561
7.5	TEFC	213/5T	575	1765	91.7	0.82	5.9	8.9	9.8	14.8	24.6	20.3	8.6	21.7	9.9	0.64	2.4	4.9	0.50	43.5	19.5	23.4	1.03	3.73	2.25	0.95	4.8	19	19	48	613
10	ODP	213/5T	208-230/460	1770	91.7	0.83	5.9	8.9	9.8	14.8	24.6	19.7	8.0	21.7	9.9	0.64	2.4	4.9	0.50	40.5	16.6	23.4	1.03	3.73	2.25	0.95	4.8	19	19	48	567
10	TEFC	213/5T	208-230/460	1765	91.7	0.83	5.9	8.9	9.8	14.8	24.6	20.3	8.6	21.7	9.9	0.64	2.4	4.9	0.50	43.5	19.5	23.4	1.03	3.73	2.25	0.95	4.8	19	19	48	625
10	ODP	213/5T	575	1770	91.7	0.83	5.9	8.9	9.8	14.8	24.6	19.7	8.0	21.7	9.9	0.64	2.4	4.9	0.50	40.5	16.6	23.4	1.03	3.73	2.25	0.95	4.8	19	19	48	567
10	TEFC	213/5T	575	1765	91.7	0.83	5.9	8.9	9.8	14.8	24.6	20.3	8.6	21.7	9.9	0.64	2.4	4.9	0.50	43.5	19.5	23.4	1.03	3.73	2.25	0.95	4.8	19	19	48	624
15	ODP	254/6T	208-230/460	1775	93	0.8	5.9	8.9	9.8	14.8	24.6	20.5	9.5	21.7	9.9	0.64	2.4	4.9	0.50	44.4	20.5	23.4	1.03	3.73	2.25	0.95	4.8	19	19	48	636
15	TEFC	254/6T	208-230/460	1765	92.4	0.83	5.9	8.9	9.8	14.8	24.6	23.4	10.5	23.7	10.9	0.64	2.4	4.9	0.50	49.0	25.0	23.4	1.08	4.93	2.25	0.95	6.0	20	20	52	816
15	ODP	254/6T	575	1775	93	0.8	5.9	8.9	9.8	14.8	24.6	20.5	9.5	21.7	9.9	0.64	2.4	4.9	0.50	44.4	20.5	23.4	1.03	3.73	2.25	0.95	4.8	19	19	48	636
15	TEFC	254/6T	575	1765	92.4	0.83	5.9	8.9	9.8	14.8	24.6	23.4	10.5	23.7	10.9	0.64	2.4	4.9	0.50	49.0	25.0	23.4	1.08	4.93	2.25	0.95	6.0	20	20	52	814
20	ODP	254/6T	208-230/460	1770	93	0.81	5.9	8.9	9.8	14.8	24.6	20.5	9.5	21.7	9.9	0.64	2.4	4.9	0.50	44.4	20.5	23.4	1.03	3.73	2.25	0.95	4.8	19	19	48	661
20	TEFC	254/6T	208-230/460	1765	93	0.84	5.9	8.9	9.8	14.8	24.6	23.4	10.5	23.7	10.9	0.64	2.4	4.9	0.50	49.0	25.0	23.4	1.08	4.93	2.25	0.95	6.0	20	20	52	864
20	ODP	254/6T	575	1770	93	0.81	5.9	8.9	9.8	14.8	24.6	20.5	9.5	21.7	9.9	0.64	2.4	4.9	0.50	44.4	20.5	23.4	1.03	3.73	2.25	0.95	4.8	19	19	48	660
20	TEFC	254/6T	575	1765	93	0.84	5.9	8.9	9.8	14.8	24.6	23.4	10.5	23.7	10.9	0.64	2.4	4.9	0.50	49.0	25.0	23.4	1.08	4.93	2.25	0.95	6.0	20	20	52	862