

Submittal Data Sheet

Wilo NL-HE – Base Mounted End Suction Pumps

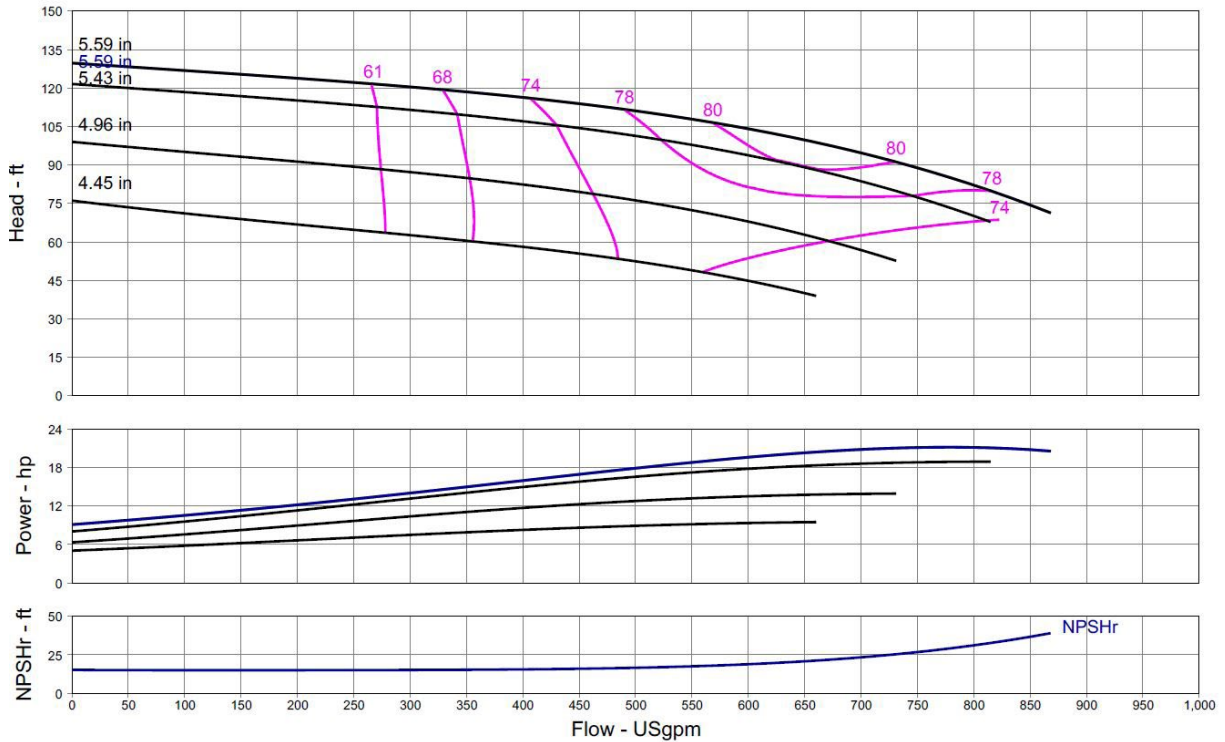


NL-HE 3 x 2.5 x 5 (2 Pole)



Project:	
Engineer:	
Contractor:	
Submitted By:	Date:
Approved By:	Date:

Tag #	Model #	Flow (USGPM)	Head (Feet)	HP	Enclosure	Frame	Cycle	Phase	Voltage	RPM
	NL-HE 3 x 2.5 x 5						60Hz	3		



Technical Data	
PEI	
0.94	
Approved Fluids	
Heating Water	
Cooling and cold water	
Pressure /Temperature Ratings	
Ambient Temperature:	+5 °F to +104 °F (-15 °C to +40 °C)
Max Working Pressure & Temperature:	189 psi (up to 284 °F Fluid Temperature) 232 psi (up to 248 °F Fluid Temperature)
Water-Glycol Mixtures for 20-40% glycol and fluid temp ≤ 104°F (40°C)	

Materials of Construction	
Pump Housing	EN-GL-250 Gray Cast Iron
Impeller	EN 1.4408 Cast Stainless Steel
Impeller (optional)	CC480K Bronze or EN-GJL 1030 Cast Iron
Pump Shaft	1.4021 + QT700 Stainless Steel
Mechanical Seal	Carbon/silicon carbide/EPDM (E1)
Other Mechanical Seals	Avail. on request
Additional Spacer Coupling	Avail. on request
Other:	



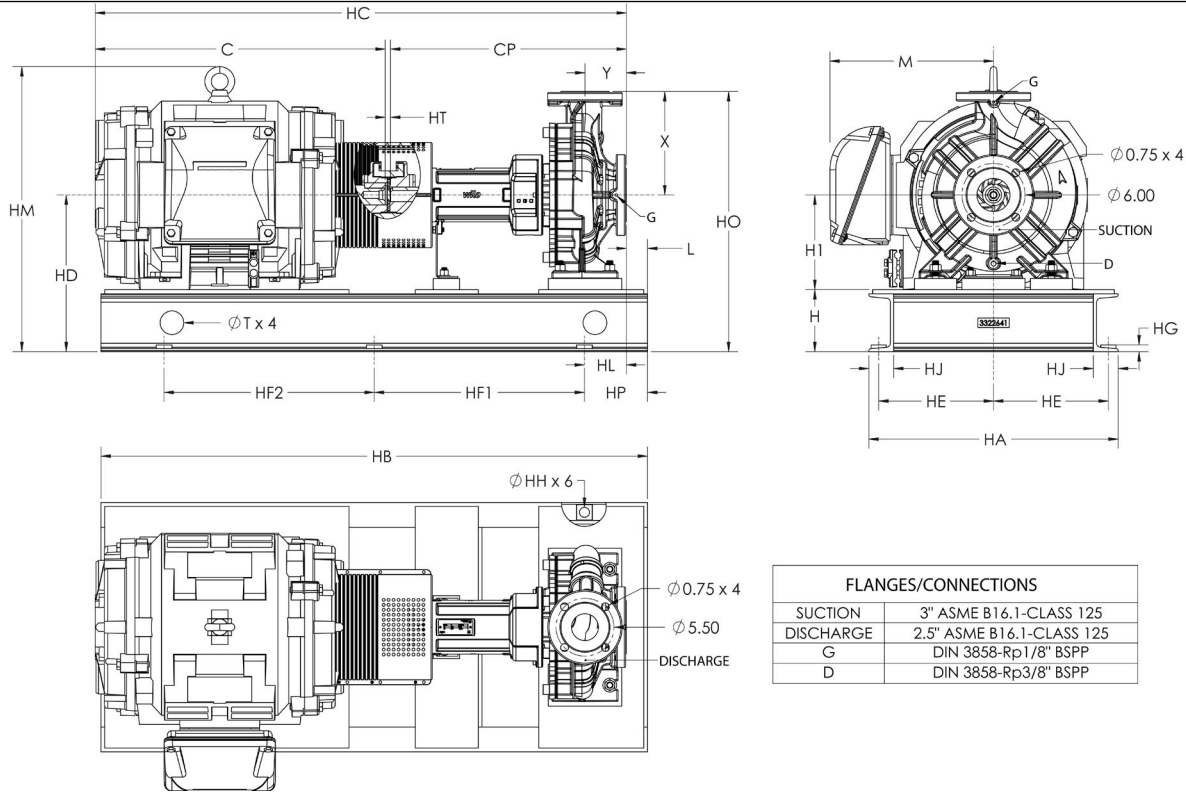
Submittal Data Sheet

Wilo NL-HE – Base Mounted End Suction Pumps



Dimensions & Weights

Wilo NL-HE



FLANGES/CONNECTIONS	
SUCTION	3" ASME B16.1-CLASS 125
DISCHARGE	2.5" ASME B16.1-CLASS 125
G	DIN 3858-Rp1/8" BSPP
D	DIN 3858-Rp3/8" BSPP

NL-HE 3 x 2.5 x 5

Motor							Dimensions - Inches																								
HP	ENCL	Frame	Volt	RPM	EFF	PF	H	H1	X	HD	HO	HM	M	HA	HE	HG	HJ	Y	HT	HC	C	CP	L	HL	T	HH	HP	HF1	HF2	HB	Wt. (lb)
10	ODP	213/5T	208-230/460	3535	89.5	0.88	4.3	6.3	7.1	10.6	17.7	15.5	8.0	17.3	7.9	0.57	1.9	3.9	0.50	35.6	17.0	18.1	0.96	3.54	1.50	0.80	4.5	15	15	39	340
10	TEFC	213/5T	208-230/460	3510	90.2	0.9	4.3	6.3	7.1	10.6	17.7	16.2	8.6	17.3	7.9	0.57	1.9	3.9	0.50	38.1	19.5	18.1	0.96	3.54	1.50	0.80	4.5	15	15	39	386
10	ODP	213/5T	575	3535	89.5	0.88	4.3	6.3	7.1	10.6	17.7	15.5	8.0	17.3	7.9	0.57	1.9	3.9	0.50	35.6	17.0	18.1	0.96	3.54	1.50	0.80	4.5	15	15	39	340
10	TEFC	213/5T	575	3510	90.2	0.9	4.3	6.3	7.1	10.6	17.7	16.2	8.6	17.3	7.9	0.57	1.9	3.9	0.50	38.1	19.5	18.1	0.96	3.54	1.50	0.80	4.5	15	15	39	384
15	ODP	213/5T	208-230/460	3535	90.2	0.89	4.3	6.3	7.1	10.6	17.7	15.5	8.0	17.3	7.9	0.57	1.9	3.9	0.50	36.4	17.8	18.1	0.96	3.54	1.50	0.80	4.5	15	15	39	355
15	TEFC	254/6T	208-230/460	3530	91	0.88	4.3	6.3	7.1	10.6	17.7	19.3	10.5	20.8	9.6	0.57	1.9	3.9	0.50	43.7	25.0	18.1	1.11	3.39	1.50	0.80	4.5	18	18	45	520
15	ODP	213/5T	575	3535	90.2	0.89	4.3	6.3	7.1	10.6	17.7	15.5	8.0	17.3	7.9	0.57	1.9	3.9	0.50	36.4	17.8	18.1	0.96	3.54	1.50	0.80	4.5	15	15	39	354
15	TEFC	254/6T	575	3530	91	0.88	4.3	6.3	7.1	10.6	17.7	19.3	10.5	20.8	9.6	0.57	1.9	3.9	0.50	43.7	25.0	18.1	1.11	3.39	1.50	0.80	4.5	18	18	45	519
20	ODP	254/6T	208-230/460	3525	91	0.87	4.3	6.3	7.1	10.6	17.7	16.4	9.5	20.8	9.6	0.57	1.9	3.9	0.50	39.1	20.5	18.1	1.11	3.39	1.50	0.80	4.5	18	18	45	423
20	TEFC	254/6T	208-230/460	3520	91	0.89	4.3	6.3	7.1	10.6	17.7	19.3	10.5	20.8	9.6	0.57	1.9	3.9	0.50	43.7	25.0	18.1	1.11	3.39	1.50	0.80	4.5	18	18	45	545
20	ODP	254/6T	575	3525	91	0.87	4.3	6.3	7.1	10.6	17.7	16.4	9.5	20.8	9.6	0.57	1.9	3.9	0.50	39.1	20.5	18.1	1.11	3.39	1.50	0.80	4.5	18	18	45	422
20	TEFC	254/6T	575	3520	91	0.89	4.3	6.3	7.1	10.6	17.7	19.3	10.5	20.8	9.6	0.57	1.9	3.9	0.50	43.7	25.0	18.1	1.11	3.39	1.50	0.80	4.5	18	18	45	544
25	ODP	254/6T	208-230/460	3530	91.7	0.87	4.3	6.3	7.1	10.6	17.7	16.4	9.5	20.8	9.6	0.57	1.9	3.9	0.50	39.1	20.5	18.1	1.11	3.39	1.50	0.80	4.5	18	18	45	440
25	TEFC	284/6TS	208-230/460	3545	91.7	0.88	4.3	7.0	7.1	11.3	18.4	20.5	11.1	20.8	9.6	0.57	1.9	3.9	0.50	45.2	26.6	18.1	1.11	3.39	1.50	0.80	4.5	20	20	49	668
25	ODP	254/6T	575	3530	91.7	0.87	4.3	6.3	7.1	10.6	17.7	16.4	9.5	20.8	9.6	0.57	1.9	3.9	0.50	39.1	20.5	18.1	1.11	3.39	1.50	0.80	4.5	18	18	45	439
25	TEFC	284/6TS	575	3535	91.7	0.89	4.3	7.0	7.1	11.3	18.4	20.5	11.1	20.8	9.6	0.57	1.9	3.9	0.50	45.2	26.6	18.1	1.11	3.39	1.50	0.80	4.5	20	20	49	666

Submittal Data Sheet

Wilo NL-HE – Base Mounted End Suction Pumps

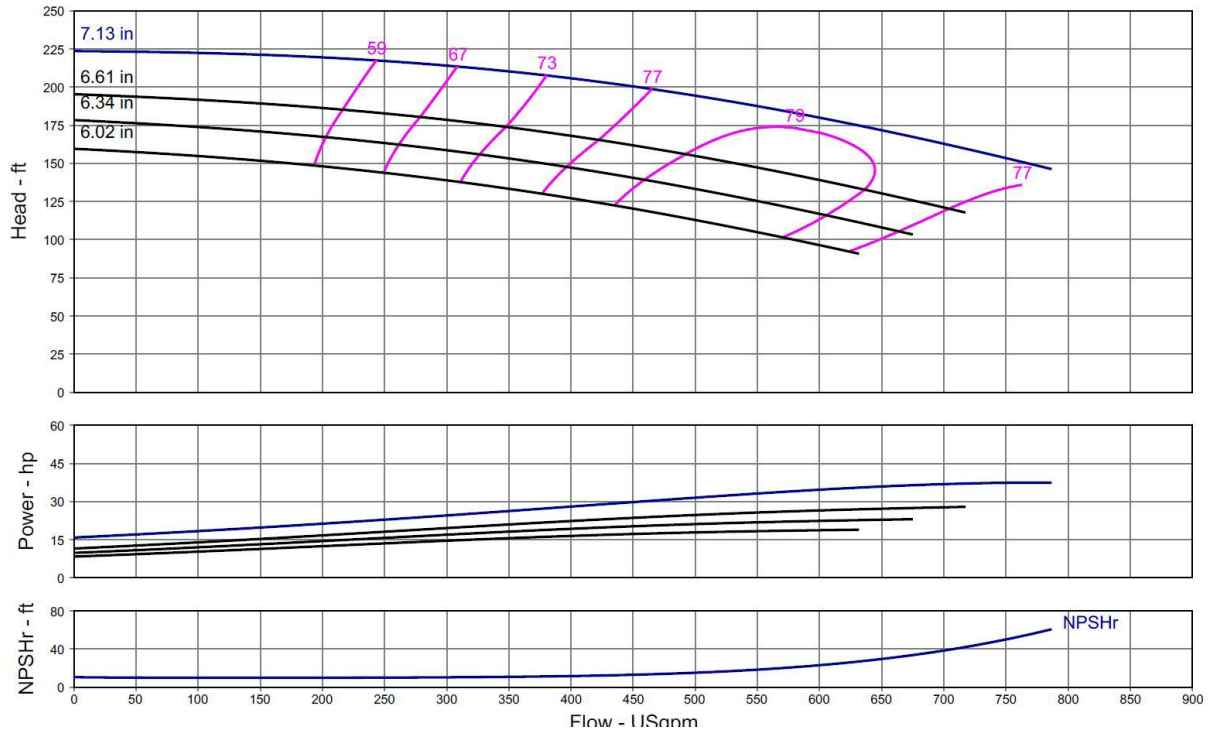


NL-HE 3 x 2.5 x 6 (2 Pole)



Project:	
Engineer:	
Contractor:	
Submitted By:	Date:
Approved By:	Date:

Tag #	Model #	Flow (USGPM)	Head (Feet)	HP	Enclosure	Frame	Cycle	Phase	Voltage	RPM
	NL-HE 3 x 2.5 x 6						60Hz	3		



Technical Data	
PEI	
0.95	
Approved Fluids	
Heating Water	
Cooling and cold water	
Pressure /Temperature Ratings	
Ambient Temperature:	+5 °F to +104 °F (-15 °C to +40 °C)
Max Working Pressure & Temperature:	189 psi (up to 284 °F Fluid Temperature) 232 psi (up to 248 °F Fluid Temperature)
Water-Glycol Mixtures for 20-40% glycol and fluid temp ≤ 104°F (40°C)	

Materials of Construction	
Pump Housing	EN-GL-250 Gray Cast Iron
Impeller	EN 1.4408 Cast Stainless Steel
Impeller (optional)	CC480K Bronze or EN-GJL 1030 Cast Iron
Pump Shaft	1.4021 + QT700 Stainless Steel
Mechanical Seal	Carbon/silicon carbide/EPDM (E1)
Other Mechanical Seals	Avail. on request
Additional Spacer Coupling	Avail. on request
Other:	

Approval Stamp

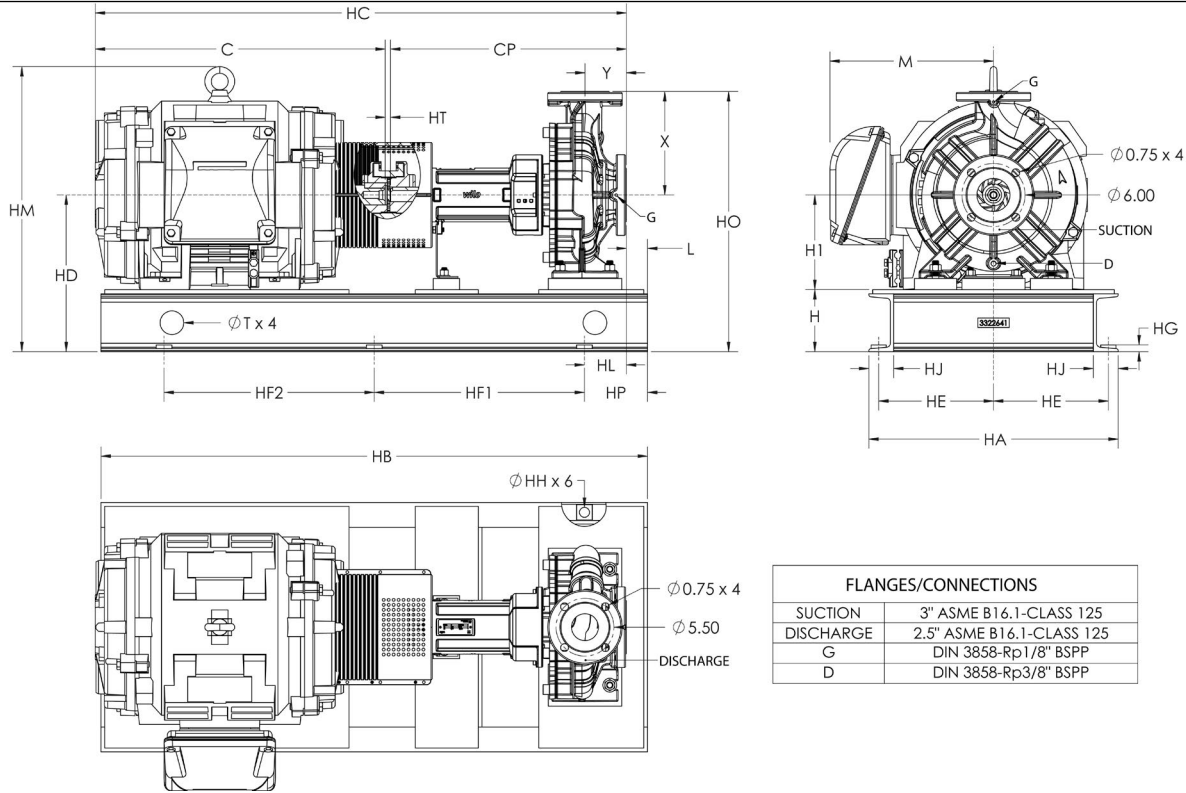
Submittal Data Sheet

Wilo NL-HE - Base Mounted End Suction Pumps



Dimensions & Weights

Wilo NL-HE



FLANGES/CONNECTIONS	
SUCTION	3" ASME B16.1-CLASS 125
DISCHARGE	2.5" ASME B16.1-CLASS 125
G	DIN 3858-Rp1/8" BSPP
D	DIN 3858-Rp3/8" BSPP

NL-HE 3 x 2.5 x 6

Motor							Dimensions - Inches																								
HP	ENCL	Frame	Volt	RPM	EFF	PF	H	H1	X	HD	HO	HM	M	HA	HE	HG	HJ	Y	HT	HC	C	CP	L	HL	T	HH	HP	HF1	HF2	HB	Wt. (lb)
20	ODP	254/6T	208-230/460	3525	91	0.87	4.3	6.3	7.9	10.6	18.5	16.4	9.5	20.8	9.6	0.57	1.9	3.9	0.50	39.1	20.5	18.1	1.11	3.39	1.50	0.80	4.5	18	18	45	434
20	TEFC	254/6T	208-230/460	3520	91	0.89	4.3	6.3	7.9	10.6	18.5	19.3	10.5	20.8	9.6	0.57	1.9	3.9	0.50	43.7	25.0	18.1	1.11	3.39	1.50	0.80	4.5	18	18	45	557
20	ODP	254/6T	575	3525	91	0.87	4.3	6.3	7.9	10.6	18.5	16.4	9.5	20.8	9.6	0.57	1.9	3.9	0.50	39.1	20.5	18.1	1.11	3.39	1.50	0.80	4.5	18	18	45	433
20	TEFC	254/6T	575	3520	91	0.89	4.3	6.3	7.9	10.6	18.5	19.3	10.5	20.8	9.6	0.57	1.9	3.9	0.50	43.7	25.0	18.1	1.11	3.39	1.50	0.80	4.5	18	18	45	556
25	ODP	254/6T	208-230/460	3530	91.7	0.87	4.3	6.3	7.9	10.6	18.5	16.4	9.5	20.8	9.6	0.57	1.9	3.9	0.50	39.1	20.5	18.1	1.11	3.39	1.50	0.80	4.5	18	18	45	452
25	TEFC	284/6TS	208-230/460	3545	91.7	0.88	4.3	7.0	7.9	11.3	19.2	20.5	11.1	20.8	9.6	0.57	1.9	3.9	0.50	45.2	26.6	18.1	1.11	3.39	1.50	0.80	4.5	20	20	49	680
25	ODP	254/6T	575	3530	91.7	0.87	4.3	6.3	7.9	10.6	18.5	16.4	9.5	20.8	9.6	0.57	1.9	3.9	0.50	39.1	20.5	18.1	1.11	3.39	1.50	0.80	4.5	18	18	45	451
25	TEFC	284/6TS	575	3535	91.7	0.89	4.3	7.0	7.9	11.3	19.2	20.5	11.1	20.8	9.6	0.57	1.9	3.9	0.50	45.2	26.6	18.1	1.11	3.39	1.50	0.80	4.5	20	20	49	678
30	ODP	284TS	208-230/460	3545	91.7	0.86	4.3	7.0	7.9	11.3	19.2	20.1	11.9	20.8	9.6	0.57	1.9	3.9	0.50	40.6	22.0	18.1	1.11	3.39	1.50	0.80	4.5	18	18	45	578
30	TEFC	284/6TS	208-230/460	3540	91.7	0.89	4.3	7.0	7.9	11.3	19.2	20.5	11.1	20.8	9.6	0.57	1.9	3.9	0.50	45.2	26.6	18.1	1.11	3.39	1.50	0.80	4.5	20	20	49	698
30	ODP	284TS	575	3545	91.7	0.86	4.3	7.0	7.9	11.3	19.2	20.1	11.9	20.8	9.6	0.57	1.9	3.9	0.50	40.6	22.0	18.1	1.11	3.39	1.50	0.80	4.5	18	18	45	576
30	TEFC	284/6TS	575	3535	91.7	0.89	4.3	7.0	7.9	11.3	19.2	20.5	11.1	20.8	9.6	0.57	1.9	3.9	0.50	45.2	26.6	18.1	1.11	3.39	1.50	0.80	4.5	20	20	49	697
40	ODP	284/6TS	208-230/460	3540	92.4	0.87	4.3	7.0	7.9	11.3	19.2	20.1	11.9	20.8	9.6	0.57	1.9	3.9	0.50	41.9	23.3	18.1	1.11	3.39	1.50	0.80	4.5	18	18	45	622
40	TEFC	324/6TS	208-230/460	3555	92.4	0.89	4.3	8.0	7.9	12.3	20.2	22.7	12.6	20.8	9.6	0.57	1.9	3.9	0.85	48.6	29.6	18.1	1.11	3.39	1.50	0.80	4.5	20	20	49	855
40	ODP	284/6TS	575	3540	92.4	0.87	4.3	7.0	7.9	11.3	19.2	20.1	11.9	20.8	9.6	0.57	1.9	3.9	0.50	41.9	23.3	18.1	1.11	3.39	1.50	0.80	4.5	18	18	45	620
40	TEFC	324/6TS	575	3555	92.4	0.89	4.3	8.0	7.9	12.3	20.2	22.7	12.6	20.8	9.6	0.57	1.9	3.9	0.85	48.6	29.6	18.1	1.11	3.39	1.50	0.80	4.5	20	20	49	852

Submittal Data Sheet

Wilco NL-HE - Base Mounted End Suction Pumps

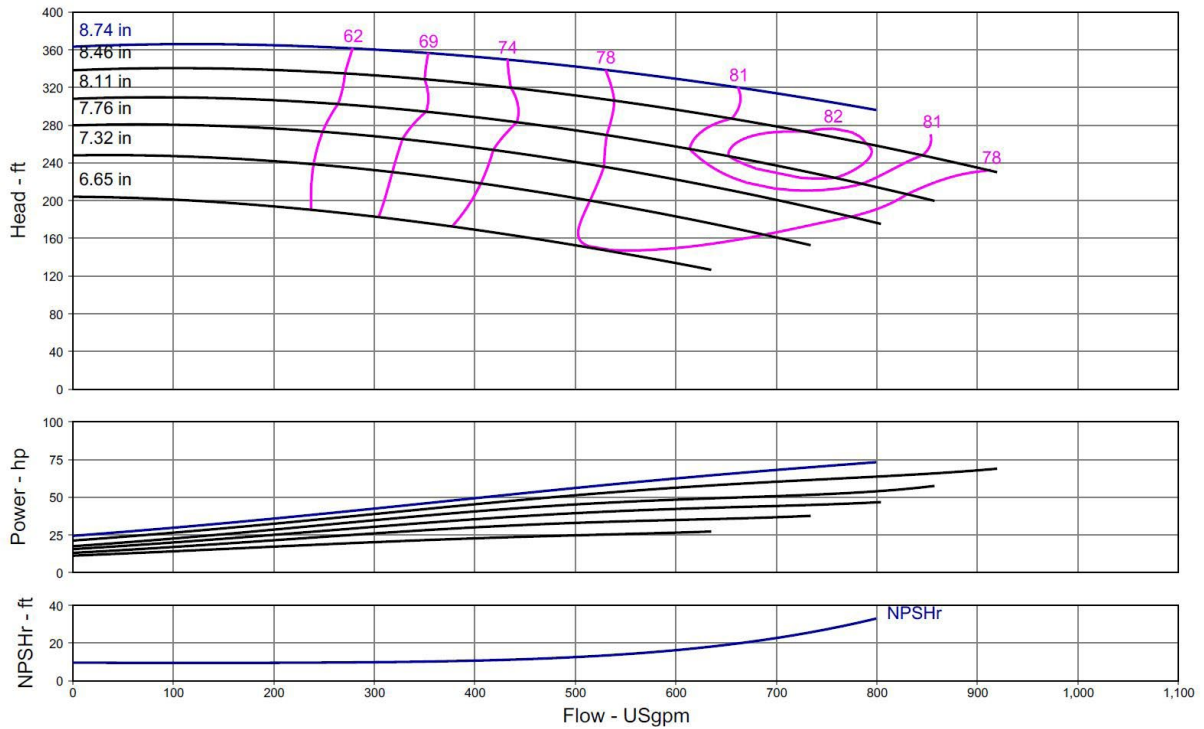


NL-HE 3 x 2.5 x 8 (2 Pole)



Project:	
Engineer:	
Contractor:	
Submitted By:	Date:
Approved By:	Date:

Tag #	Model #	Flow (USGPM)	Head (Feet)	HP	Enclosure	Frame	Cycle	Phase	Voltage	RPM
	NL-HE 3 x 2.5 x 8						60Hz	3		



Technical Data	
PEI	
0.92	
Approved Fluids	
Heating Water	
Cooling and cold water	
Pressure /Temperature Ratings	
Ambient Temperature:	+5 °F to +104 °F (-15 °C to +40 °C)
Max Working Pressure & Temperature:	189 psi (up to 284 °F Fluid Temperature) 232 psi (up to 248 °F Fluid Temperature)
Water-Glycol Mixtures for 20-40% glycol and fluid temp ≤ 104°F (40°C)	

Materials of Construction	
Pump Housing	EN-GL-250 Gray Cast Iron
Impeller	EN 1.4408 Cast Stainless Steel
Impeller (optional)	CC480K Bronze or EN-GJL 1030 Cast Iron
Pump Shaft	1.4021 + QT700 Stainless Steel
Mechanical Seal	Carbon/silicon carbide/EPDM (E1)
Other Mechanical Seals	Avail. on request
Additional Spacer Coupling	Avail. on request
Other:	



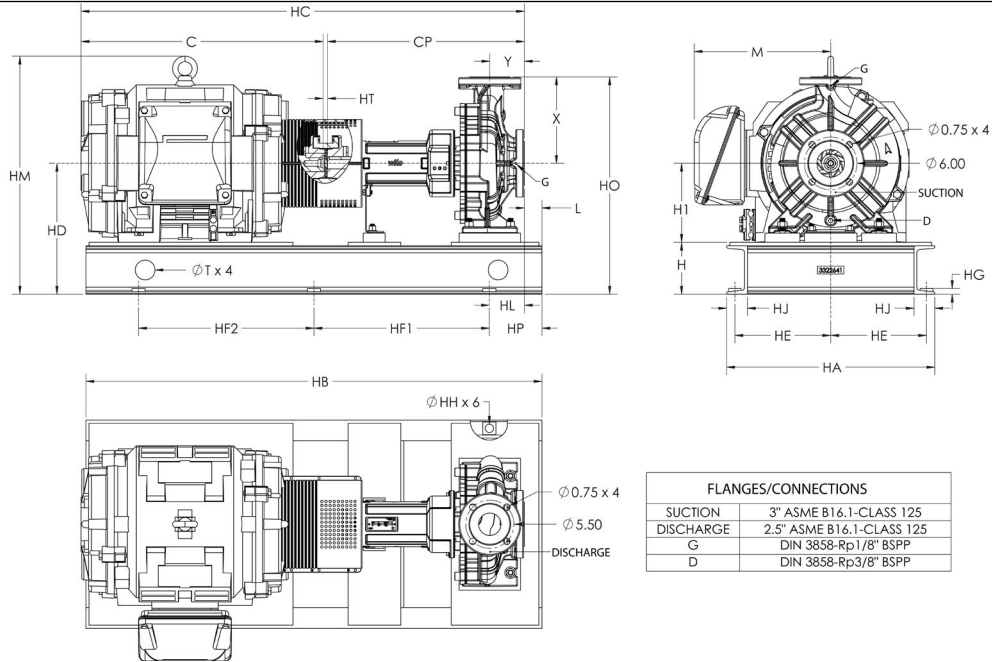
Submittal Data Sheet

Wilo NL-HE - Base Mounted End Suction Pumps



Dimensions & Weights

Wilo NL-HE



NL-HE 3 x 2.5 x 8

Motor							Dimensions - Inches																								
HP	ENCL	Frame	Volt	RPM	EFF	PF	H	H1	X	HD	HO	HM	M	HA	HE	HG	HJ	Y	HT	HC	C	CP	L	HL	T	HH	HP	HF1	HF2	HB	Wt. (lb)
30	ODP	284TS	208-230/460	3545	91.7	0.86	4.3	7.1	8.9	11.4	20.3	20.1	11.9	20.8	9.6	0.57	1.9	3.9	0.50	40.6	22.0	18.1	1.11	3.39	1.50	0.80	4.5	18	18	45	592
30	TEFC	284/6TS	208-230/460	3540	91.7	0.89	4.3	7.1	8.9	11.4	20.3	20.6	11.1	20.8	9.6	0.57	1.9	3.9	0.50	45.2	26.6	18.1	1.11	3.39	1.50	0.80	4.5	20	20	49	712
30	ODP	284TS	575	3545	91.7	0.86	4.3	7.1	8.9	11.4	20.3	20.1	11.9	20.8	9.6	0.57	1.9	3.9	0.50	40.6	22.0	18.1	1.11	3.39	1.50	0.80	4.5	18	18	45	590
30	TEFC	284/6TS	575	3535	91.7	0.89	4.3	7.1	8.9	11.4	20.3	20.6	11.1	20.8	9.6	0.57	1.9	3.9	0.50	45.2	26.6	18.1	1.11	3.39	1.50	0.80	4.5	20	20	49	711
40	ODP	284/6TS	208-230/460	3540	92.4	0.87	4.3	7.1	8.9	11.4	20.3	20.1	11.9	20.8	9.6	0.57	1.9	3.9	0.50	41.9	23.3	18.1	1.11	3.39	1.50	0.80	4.5	18	18	45	636
40	TEFC	324/6TS	208-230/460	3555	92.4	0.89	4.3	8.0	8.9	12.3	21.2	22.7	12.6	20.8	9.6	0.57	1.9	3.9	0.85	48.6	29.6	18.1	1.11	3.39	1.50	0.80	4.5	20	20	49	869
40	ODP	284/6TS	575	3540	92.4	0.87	4.3	7.1	8.9	11.4	20.3	20.1	11.9	20.8	9.6	0.57	1.9	3.9	0.50	41.9	23.3	18.1	1.11	3.39	1.50	0.80	4.5	18	18	45	634
40	TEFC	324/6TS	575	3555	92.4	0.89	4.3	8.0	8.9	12.3	21.2	22.7	12.6	20.8	9.6	0.57	1.9	3.9	0.85	48.6	29.6	18.1	1.11	3.39	1.50	0.80	4.5	20	20	49	866
50	ODP	324TS	208-230/460	3560	93	0.85	4.3	8.0	8.9	12.3	21.2	22.1	13.4	20.8	9.6	0.57	1.9	3.9	0.85	43.3	24.3	18.1	1.11	3.39	1.50	0.80	4.5	18	18	45	721
50	TEFC	324/6TS	208-230/460	3550	93	0.89	4.3	8.0	8.9	12.3	21.2	22.7	12.6	20.8	9.6	0.57	1.9	3.9	0.85	48.6	29.6	18.1	1.11	3.39	1.50	0.80	4.5	20	20	49	892
50	ODP	324TS	575	3560	93	0.85	4.3	8.0	8.9	12.3	21.2	22.1	13.4	20.8	9.6	0.57	1.9	3.9	0.85	43.3	24.3	18.1	1.11	3.39	1.50	0.80	4.5	18	18	45	718
50	TEFC	324/6TS	575	3550	93	0.89	4.3	8.0	8.9	12.3	21.2	22.7	12.6	20.8	9.6	0.57	1.9	3.9	0.85	48.6	29.6	18.1	1.11	3.39	1.50	0.80	4.5	20	20	49	888
60	ODP	324/6TS	208-230/460	3560	93.6	0.85	4.3	8.0	8.9	12.3	21.2	22.1	13.4	20.8	9.6	0.57	1.9	3.9	0.85	44.8	25.8	18.1	1.11	3.39	1.50	0.80	4.5	18	18	45	766
60	TEFC	364/5TS	208-230/460	3560	93.6	0.9	6.0	9.0	8.9	15.0	23.8	24.0	16.0	23.7	10.9	0.64	2.4	3.9	0.85	51.3	32.3	18.1	1.56	4.44	2.25	0.95	6.0	20	20	52	1297
60	ODP	324/6TS	575	3560	93.6	0.85	4.3	8.0	8.9	12.3	21.2	22.1	13.4	20.8	9.6	0.57	1.9	3.9	0.85	44.8	25.8	18.1	1.11	3.39	1.50	0.80	4.5	18	18	45	763
60	TEFC	364/5TS	575	3560	93.6	0.9	6.0	9.0	8.9	15.0	23.8	24.0	16.0	23.7	10.9	0.64	2.4	3.9	0.85	51.3	32.3	18.1	1.56	4.44	2.25	0.95	6.0	20	20	52	1293
75	ODP	364/5TS	208-230/460	3555	93.6	0.87	6.0	9.0	8.9	15.0	23.8	27.2	15.6	23.7	10.9	0.64	2.4	3.9	0.85	46.5	27.5	18.1	1.56	4.44	2.25	0.95	6.0	20	20	52	1160
75	TEFC	364/5TS	208-230/460	3555	93.6	0.9	6.0	9.0	8.9	15.0	23.8	24.0	16.0	23.7	10.9	0.64	2.4	3.9	0.85	51.3	32.3	18.1	1.56	4.44	2.25	0.95	6.0	20	20	52	1302
75	ODP	364/5TS	575	3555	93.6	0.87	6.0	9.0	8.9	15.0	23.8	27.2	15.6	23.7	10.9	0.64	2.4	3.9	0.85	46.5	27.5	18.1	1.56	4.44	2.25	0.95	6.0	20	20	52	1156
75	TEFC	364/5TS	575	3555	93.6	0.9	6.0	9.0	8.9	15.0	23.8	24.0	16.0	23.7	10.9	0.64	2.4	3.9	0.85	51.3	32.3	18.1	1.56	4.44	2.25	0.95	6.0	20	20	52	1294

Submittal Data Sheet

Wilo NL-HE – Base Mounted End Suction Pumps

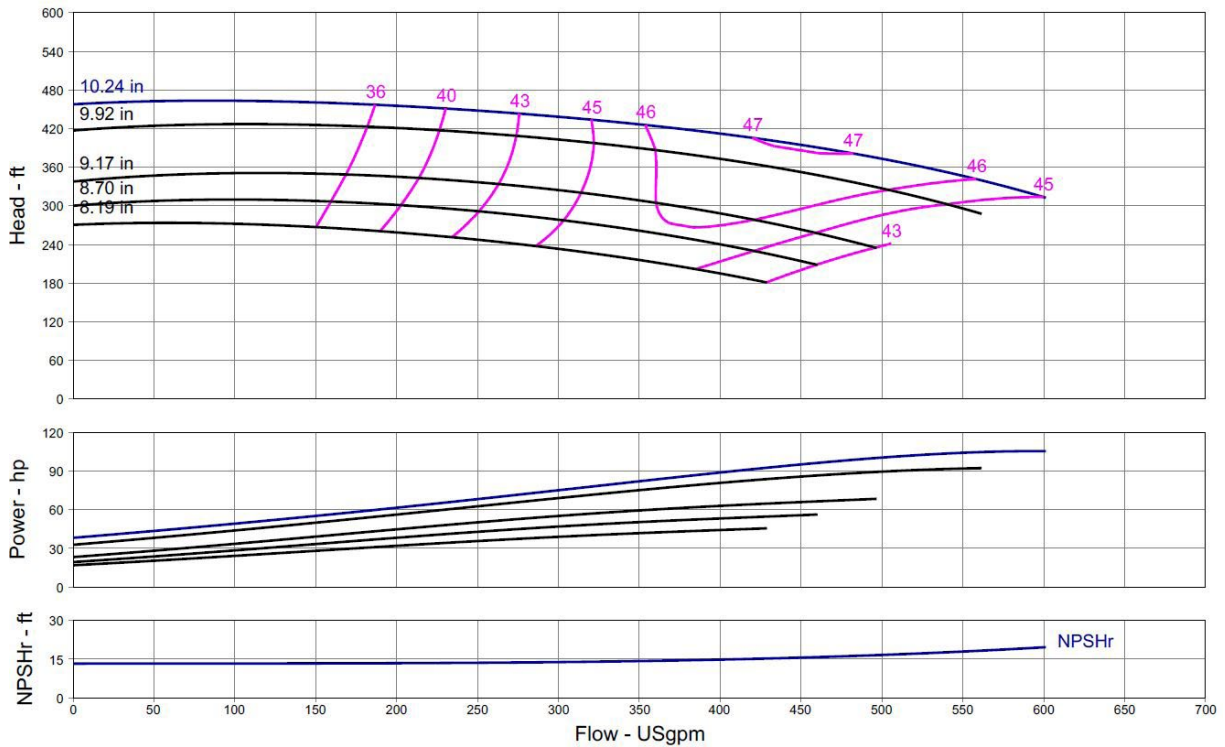


NL-HE 3 x 2.5 x 10 (2 Pole)



Project:	
Engineer:	
Contractor:	
Submitted By:	Date:
Approved By:	Date:

Tag #	Model #	Flow (USGPM)	Head (Feet)	HP	Enclosure	Frame	Cycle	Phase	Voltage	RPM
	NL-HE 3 x 2.5 x 10						60Hz	3		



Technical Data	
PEI	
0.93	
Approved Fluids	
Heating Water	
Cooling and cold water	
Pressure /Temperature Ratings	
Ambient Temperature:	+5 °F to +104 °F (-15 °C to +40 °C)
Max Working Pressure & Temperature:	189 psi (up to 284 °F Fluid Temperature) 232 psi (up to 248 °F Fluid Temperature)
Water-Glycol Mixtures for 20-40% glycol and fluid temp ≤ 104°F (40°C)	

Materials of Construction	
Pump Housing	EN-GL-250 Gray Cast Iron
Impeller	EN 1.4408 Cast Stainless Steel
Impeller (optional)	CC480K Bronze or EN-GJL 1030 Cast Iron
Pump Shaft	1.4021 + QT700 Stainless Steel
Mechanical Seal	Carbon/silicon carbide/EPDM (E1)
Other Mechanical Seals	Avail. on request
Additional Spacer Coupling	Avail. on request
Other:	



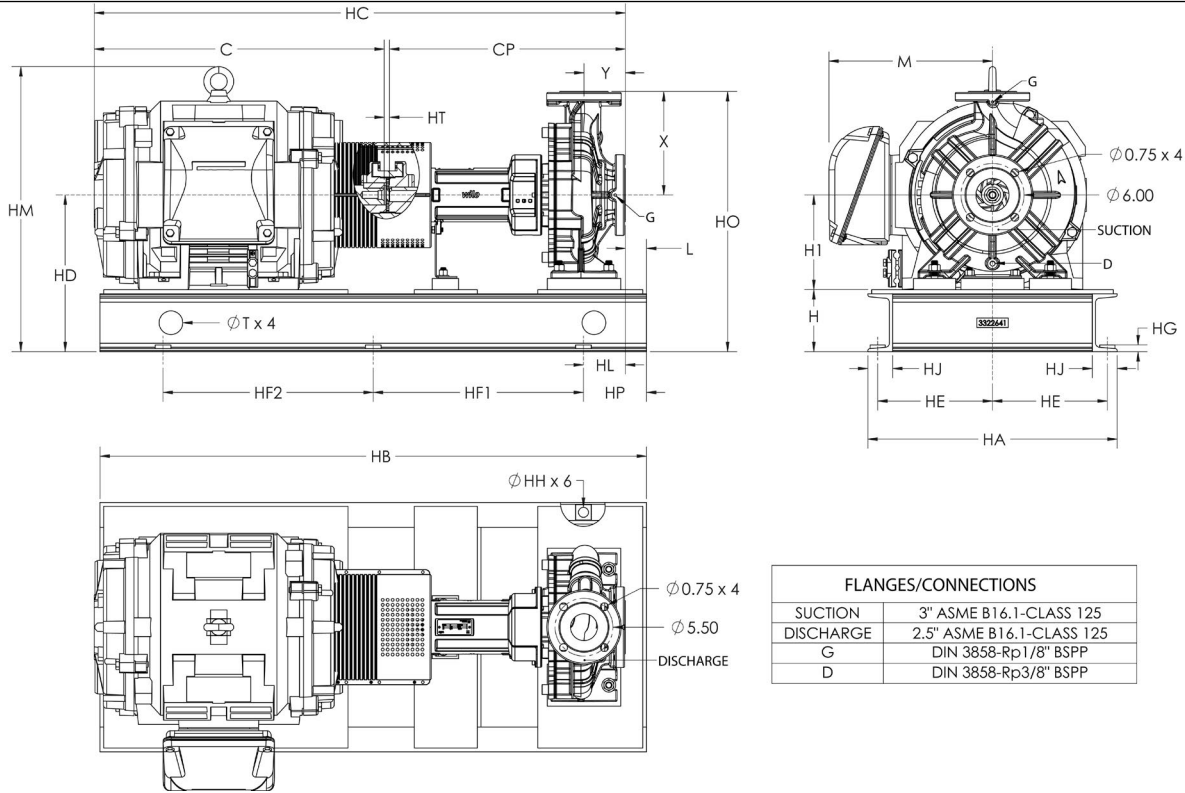
Submittal Data Sheet

Wilo NL-HE – Base Mounted End Suction Pumps



Dimensions & Weights

Wilo NL-HE



FLANGES/CONNECTIONS	
SUCTION	3" ASME B16.1-CLASS 125
DISCHARGE	2.5" ASME B16.1-CLASS 125
G	DIN 3858-Rp1/8" BSPP
D	DIN 3858-Rp3/8" BSPP

NL-HE 3 x 2.5 x 10

Motor								Dimensions – Inches																							
HP	ENCL	Frame	Volt	RPM	EFF	PF	H	H1	X	HD	HO	HM	M	HA	HE	HG	HJ	Y	HT	HC	C	CP	L	HL	T	HH	HP	HF1	HF2	HB	Wt. (lb)
50	ODP	324TS	208-230/460	3560	93	0.85	5.9	8.0	9.8	13.9	23.7	23.6	13.4	23.7	10.9	0.64	2.4	3.9	0.50	47.3	24.3	22.5	2.01	3.99	2.25	0.95	6.0	20	20	52	888
50	TEFC	324/6TS	208-230/460	3550	93	0.89	5.9	8.0	9.8	13.9	23.7	24.3	12.6	23.7	10.9	0.64	2.4	3.9	0.50	52.6	29.6	22.5	2.06	3.94	2.25	0.95	6.0	20	20	52	1035
50	ODP	324TS	575	3560	93	0.85	5.9	8.0	9.8	13.9	23.7	23.6	13.4	23.7	10.9	0.64	2.4	3.9	0.50	47.3	24.3	22.5	2.01	3.99	2.25	0.95	6.0	20	20	52	885
50	TEFC	324/6TS	575	3550	93	0.89	5.9	8.0	9.8	13.9	23.7	24.3	12.6	23.7	10.9	0.64	2.4	3.9	0.50	52.6	29.6	22.5	2.06	3.94	2.25	0.95	6.0	20	20	52	1031
60	ODP	324/6TS	208-230/460	3560	93.6	0.85	5.9	8.0	9.8	13.9	23.7	23.6	13.4	23.7	10.9	0.64	2.4	3.9	0.50	48.8	25.8	22.5	2.01	3.99	2.25	0.95	6.0	20	20	52	940
60	TEFC	364/5TS	208-230/460	3560	93.6	0.9	6.0	9.0	9.8	15.0	24.8	24.0	16.0	26.7	12.4	0.64	2.4	3.9	0.50	55.3	32.3	22.5	2.56	4.44	2.25	0.95	7.0	22	22	58	1395
60	ODP	324/6TS	575	3560	93.6	0.85	5.9	8.0	9.8	13.9	23.7	23.6	13.4	23.7	10.9	0.64	2.4	3.9	0.50	48.8	25.8	22.5	2.01	3.99	2.25	0.95	6.0	20	20	52	937
60	TEFC	364/5TS	575	3560	93.6	0.9	6.0	9.0	9.8	15.0	24.8	24.0	16.0	26.7	12.4	0.64	2.4	3.9	0.50	55.3	32.3	22.5	2.56	4.44	2.25	0.95	7.0	22	22	58	1391
75	ODP	364/5TS	208-230/460	3555	93.6	0.87	5.9	9.0	9.8	14.9	24.7	27.1	15.6	23.7	10.9	0.64	2.4	3.9	0.50	50.5	27.5	22.5	2.01	3.99	2.25	0.95	6.0	20	20	52	1181
75	TEFC	364/5TS	208-230/460	3555	93.6	0.9	6.0	9.0	9.8	15.0	24.8	24.0	16.0	26.7	12.4	0.64	2.4	3.9	0.50	55.3	32.3	22.5	2.56	4.44	2.25	0.95	7.0	22	22	58	1400
75	ODP	364/5TS	575	3555	93.6	0.87	5.9	9.0	9.8	14.9	24.7	27.1	15.6	23.7	10.9	0.64	2.4	3.9	0.50	50.5	27.5	22.5	2.01	3.99	2.25	0.95	6.0	20	20	52	1177
75	TEFC	364/5TS	575	3555	93.6	0.9	6.0	9.0	9.8	15.0	24.8	24.0	16.0	26.7	12.4	0.64	2.4	3.9	0.50	55.3	32.3	22.5	2.56	4.44	2.25	0.95	7.0	22	22	58	1392
100	ODP	364/5TS	208-230/460	3555	93.6	0.87	5.9	9.0	9.8	14.9	24.7	27.1	15.6	23.7	10.9	0.64	2.4	3.9	0.50	50.5	27.5	22.5	2.01	3.99	2.25	0.95	6.0	20	20	52	1200
100	TEFC	404/5TS	208-230/460	3545	94.1	0.89	6.1	10.0	9.8	16.1	25.9	25.6	16.0	28.7	13.4	0.64	2.4	3.9	0.50	59.6	36.7	22.5	2.36	4.64	2.25	0.95	7.0	24	24	62	1747
100	ODP	364/5TS	575	3555	93.6	0.87	5.9	9.0	9.8	14.9	24.7	27.1	15.6	23.7	10.9	0.64	2.4	3.9	0.50	50.5	27.5	22.5	2.01	3.99	2.25	0.95	6.0	20	20	52	1194
100	TEFC	404/5TS	575	3545	94.1	0.89	6.1	10.0	9.8	16.1	25.9	25.6	16.0	28.7	13.4	0.64	2.4	3.9	0.50	59.6	36.7	22.5	2.36	4.64	2.25	0.95	7.0	24	24	62	1743