

# Submittal Data Sheet

Wilco NL-HE - Base Mounted End Suction Pumps

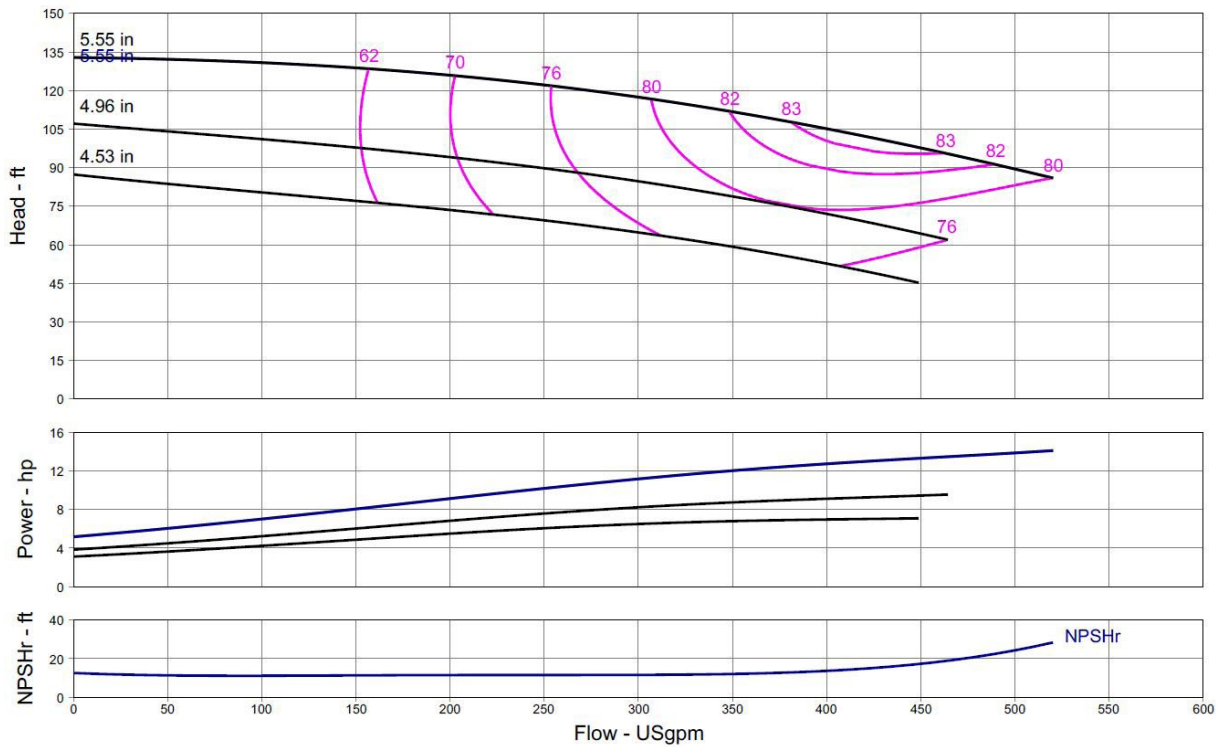


## NL-HE 2.5 x 2 x 5 (2 Pole)



Project:	
Engineer:	
Contractor:	
Submitted By:	Date:
Approved By:	Date:

Tag #	Model #	Flow (USGPM)	Head (Feet)	HP	Enclosure	Frame	Cycle	Phase	Voltage	RPM
	NL-HE 2.5 x 2 x 5						60Hz	3		



Technical Data	
PEI	
0.90	
Approved Fluids	
Heating Water	
Cooling and cold water	
Pressure /Temperature Ratings	
Ambient Temperature:	+5 °F to +104 °F (-15 °C to +40 °C)
Max Working Pressure & Temperature:	189 psi (up to 284 °F Fluid Temperature) 232 psi (up to 248 °F Fluid Temperature)
Water-Glycol Mixtures for 20-40% glycol and fluid temp ≤ 104°F (40°C)	

Materials of Construction	
Pump Housing	EN-GL-250 Gray Cast Iron
Impeller	EN 1.4408 Cast Stainless Steel
Impeller (optional)	CC480K Bronze or EN-GJL 1030 Cast Iron
Pump Shaft	1.4021 + QT700 Stainless Steel
Mechanical Seal	Carbon/silicon carbide/EPDM (E1)
Other Mechanical Seals	Avail. on request
Additional Spacer Coupling	Avail. on request
Other:	

Approval Stamp

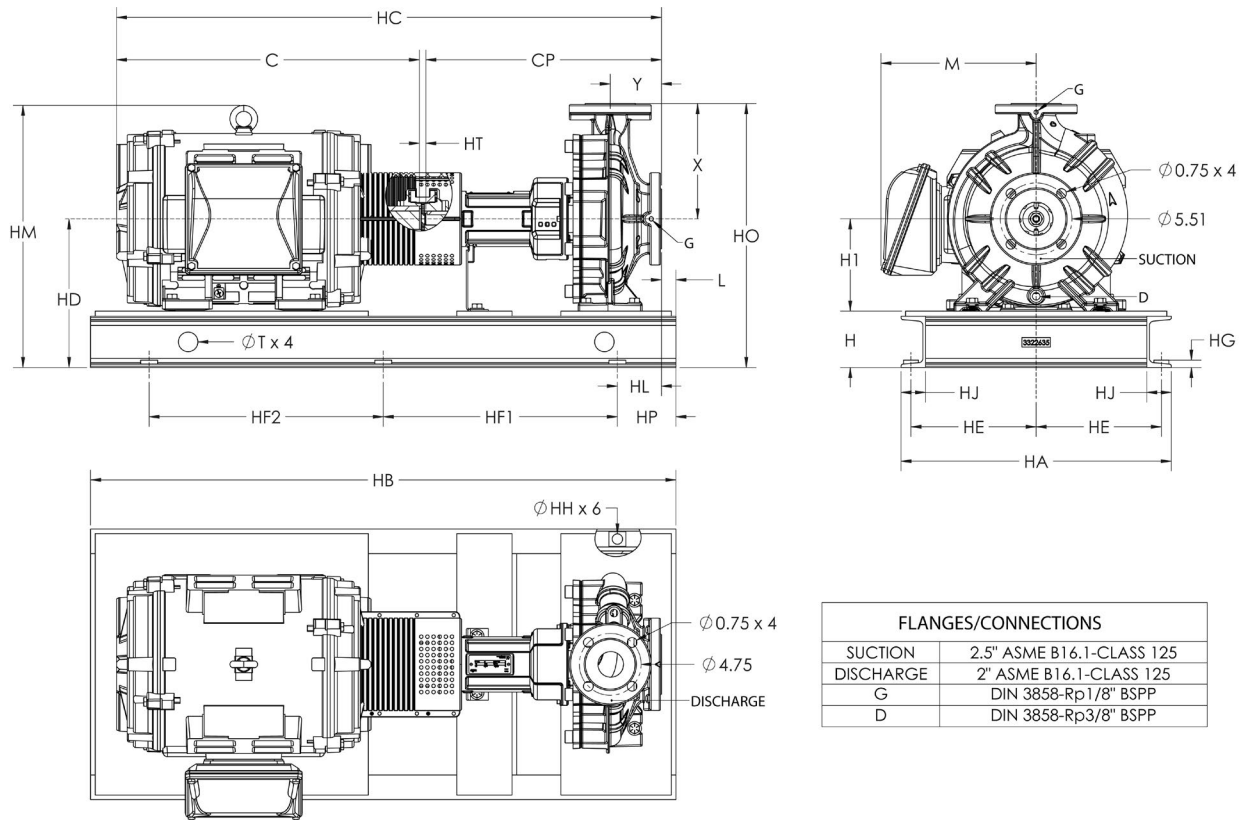
# Submittal Data Sheet

## Wilo NL-HE - Base Mounted End Suction Pumps



### Dimensions & Weights

#### Wilo NL-HE



FLANGES/CONNECTIONS	
SUCTION	2.5" ASME B16.1-CLASS 125
DISCHARGE	2" ASME B16.1-CLASS 125
G	DIN 3858-Rp1/8" BSPP
D	DIN 3858-Rp3/8" BSPP

#### NL-HE 2.5 x 2 x 5

Motor							Dimensions - Inches																				Wt. (lb)				
HP	ENCL	Frame	Volt	RPM	EFF	PF	H	H1	X	HD	HO	HM	M	HA	HE	HG	HJ	Y	HT	HC	C	CP	L	HL	T	HH		HP	HF1	HF2	HB
7.5	ODP	182/4T	208-230/460	3500	88.5	0.9	4.3	5.2	6.3	9.5	15.8	13.6	6.7	17.3	7.9	0.57	1.9	3.9	0.50	33.8	15.2	18.1	0.96	3.54	1.50	0.80	4.5	13	13	35	272
7.5	TEFC	182/4T	208-230/460	3485	89.5	0.88	4.3	5.2	6.3	9.5	15.8	13.9	7.6	17.3	7.9	0.57	1.9	3.9	0.50	34.5	15.9	18.1	0.96	3.54	1.50	0.80	4.5	13	13	35	297
7.5	ODP	182/4T	575	3500	88.5	0.9	4.3	5.2	6.3	9.5	15.8	13.6	6.7	17.3	7.9	0.57	1.9	3.9	0.50	33.8	15.2	18.1	0.96	3.54	1.50	0.80	4.5	13	13	35	272
7.5	TEFC	213/5T	575	3520	89.5	0.88	4.3	5.2	6.3	9.6	15.9	15.2	8.6	17.3	7.9	0.57	1.9	3.9	0.50	38.1	19.5	18.1	0.96	3.54	1.50	0.80	4.5	15	15	39	368
10	ODP	213/5T	208-230/460	3535	89.5	0.88	4.3	5.2	6.3	9.6	15.9	14.5	8.0	17.3	7.9	0.57	1.9	3.9	0.50	35.6	17.0	18.1	0.96	3.54	1.50	0.80	4.5	15	15	39	327
10	TEFC	213/5T	208-230/460	3510	90.2	0.9	4.3	5.2	6.3	9.6	15.9	15.2	8.6	17.3	7.9	0.57	1.9	3.9	0.50	38.1	19.5	18.1	0.96	3.54	1.50	0.80	4.5	15	15	39	372
10	ODP	213/5T	575	3535	89.5	0.88	4.3	5.2	6.3	9.6	15.9	14.5	8.0	17.3	7.9	0.57	1.9	3.9	0.50	35.6	17.0	18.1	0.96	3.54	1.50	0.80	4.5	15	15	39	327
10	TEFC	213/5T	575	3510	90.2	0.9	4.3	5.2	6.3	9.6	15.9	15.2	8.6	17.3	7.9	0.57	1.9	3.9	0.50	38.1	19.5	18.1	0.96	3.54	1.50	0.80	4.5	15	15	39	370
15	ODP	213/5T	208-230/460	3535	90.2	0.89	4.3	5.2	6.3	9.6	15.9	14.5	8.0	17.3	7.9	0.57	1.9	3.9	0.50	36.4	17.8	18.1	0.96	3.54	1.50	0.80	4.5	15	15	39	342
15	TEFC	254/6T	208-230/460	3530	91	0.88	4.3	6.2	6.3	10.6	16.9	19.3	10.5	20.8	9.6	0.57	1.9	3.9	0.50	43.7	25.0	18.1	1.11	3.39	1.50	0.80	4.5	18	18	45	514
15	ODP	213/5T	575	3535	90.2	0.89	4.3	5.2	6.3	9.6	15.9	14.5	8.0	17.3	7.9	0.57	1.9	3.9	0.50	36.4	17.8	18.1	0.96	3.54	1.50	0.80	4.5	15	15	39	341
15	TEFC	254/6T	575	3530	91	0.88	4.3	6.2	6.3	10.6	16.9	19.3	10.5	20.8	9.6	0.57	1.9	3.9	0.50	43.7	25.0	18.1	1.11	3.39	1.50	0.80	4.5	18	18	45	513

# Submittal Data Sheet

Wilo NL-HE – Base Mounted End Suction Pumps

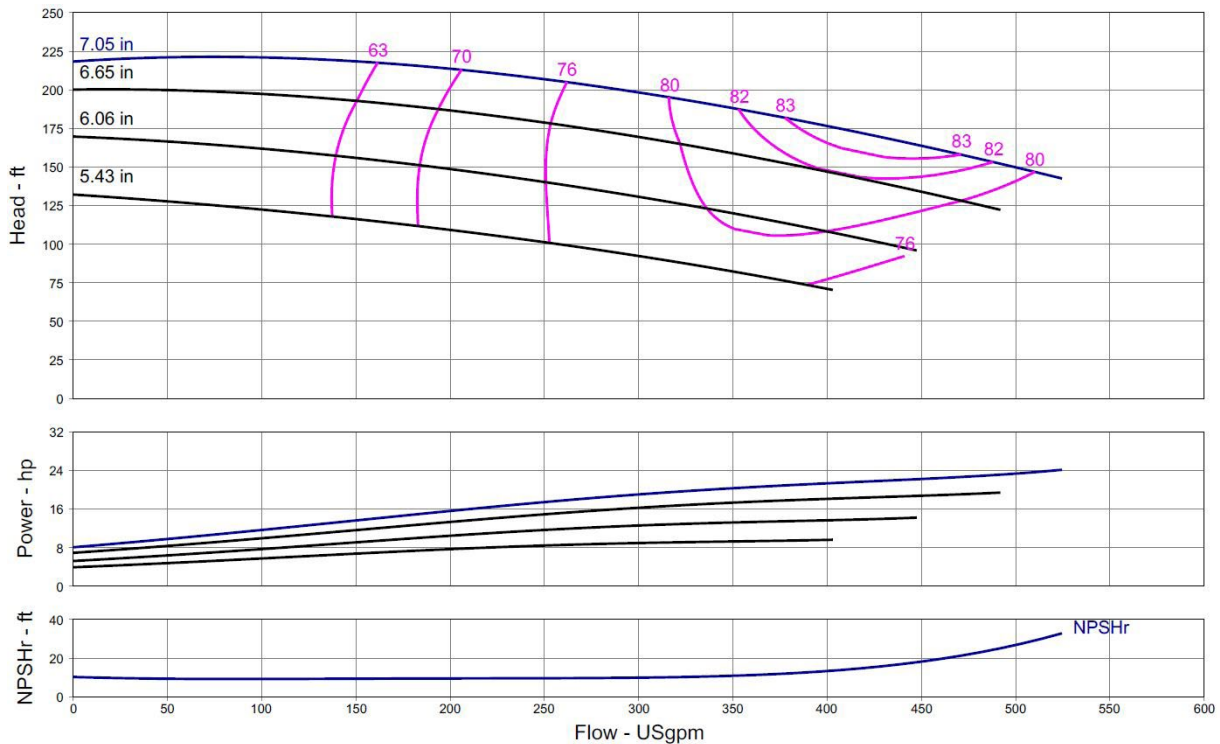


## NL-HE 2.5 x 2 x 6 (2 Pole)



Project:	
Engineer:	
Contractor:	
Submitted By:	Date:
Approved By:	Date:

Tag #	Model #	Flow (USGPM)	Head (Feet)	HP	Enclosure	Frame	Cycle	Phase	Voltage	RPM
	NL-HE 2.5 x 2 x 6						60Hz	3		



Technical Data	
PEI	
0.94	
Approved Fluids	
Heating Water	
Cooling and cold water	
Pressure /Temperature Ratings	
Ambient Temperature:	+5 °F to +104 °F (-15 °C to +40 °C)
Max Working Pressure & Temperature:	189 psi (up to 284 °F Fluid Temperature) 232 psi (up to 248 °F Fluid Temperature)
Water-Glycol Mixtures for 20-40% glycol and fluid temp ≤ 104°F (40°C)	

Materials of Construction	
Pump Housing	EN-GL-250 Gray Cast Iron
Impeller	EN 1.4408 Cast Stainless Steel
Impeller (optional)	CC480K Bronze or EN-GJL 1030 Cast Iron
Pump Shaft	1.4021 + QT700 Stainless Steel
Mechanical Seal	Carbon/silicon carbide/EPDM (E1)
Other Mechanical Seals	Avail. on request
Additional Spacer Coupling	Avail. on request
Other:	



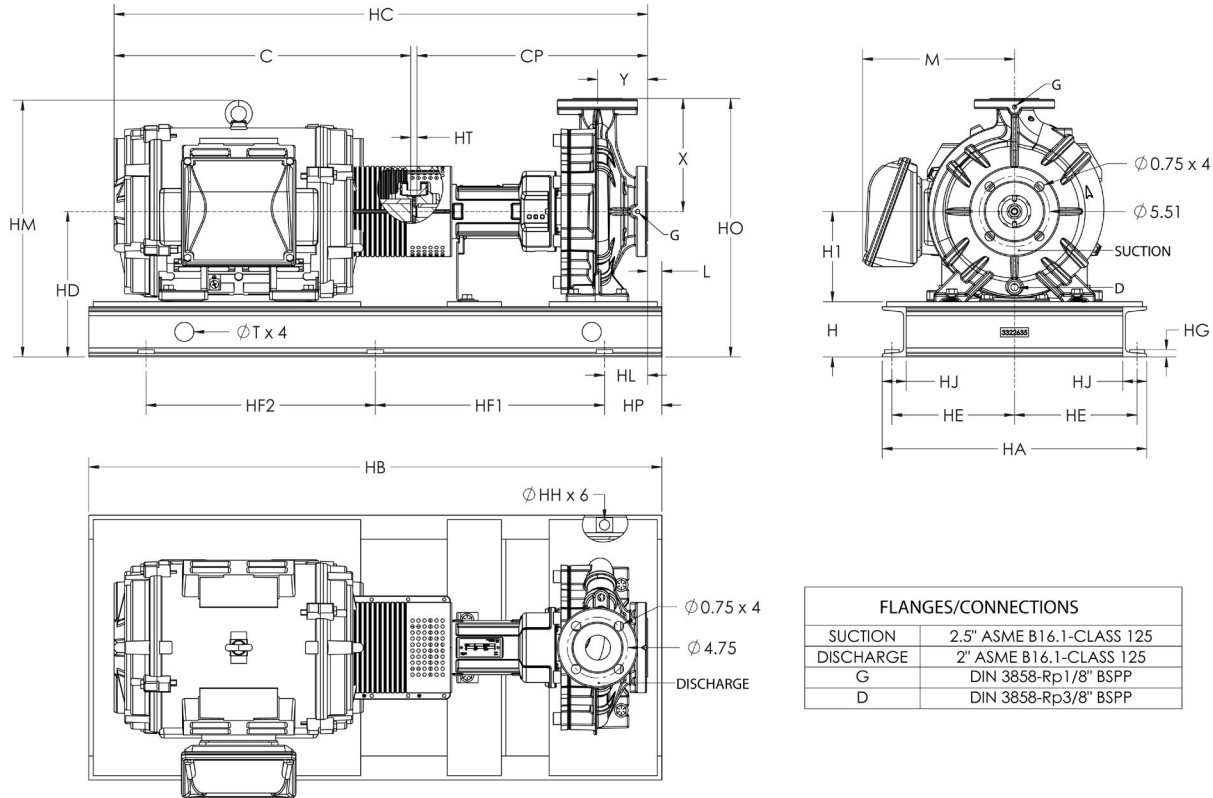
# Submittal Data Sheet

## Wilo NL-HE - Base Mounted End Suction Pumps



### Dimensions & Weights

#### Wilo NL-HE



FLANGES/CONNECTIONS	
SUCTION	2.5" ASME B16.1-CLASS 125
DISCHARGE	2" ASME B16.1-CLASS 125
G	DIN 3858-Rp1/8" BSPP
D	DIN 3858-Rp3/8" BSPP

#### NL-HE 2.5 x 2 x 6


Motor								Dimensions - Inches																				Wt. (lb)			
HP	ENCL	Frame	Volt	RPM	EFF	PF	H	H1	X	HD	HO	HM	M	HA	HE	HG	HJ	Y	HT	HC	C	CP	L	HL	T	HH	HP		HF1	HF2	HB
10	ODP	213/5T	208-230/460	3535	89.5	0.88	4.3	6.3	7.1	10.6	17.7	15.5	8.0	17.3	7.9	0.57	1.9	3.9	0.50	35.6	17.0	18.1	0.96	3.54	1.50	0.80	4.5	15	15	39	341
10	TEFC	213/5T	208-230/460	3510	90.2	0.9	4.3	6.3	7.1	10.6	17.7	16.2	8.6	17.3	7.9	0.57	1.9	3.9	0.50	38.1	19.5	18.1	0.96	3.54	1.50	0.80	4.5	15	15	39	387
10	ODP	213/5T	575	3535	89.5	0.88	4.3	6.3	7.1	10.6	17.7	15.5	8.0	17.3	7.9	0.57	1.9	3.9	0.50	35.6	17.0	18.1	0.96	3.54	1.50	0.80	4.5	15	15	39	341
10	TEFC	213/5T	575	3510	90.2	0.9	4.3	6.3	7.1	10.6	17.7	16.2	8.6	17.3	7.9	0.57	1.9	3.9	0.50	38.1	19.5	18.1	0.96	3.54	1.50	0.80	4.5	15	15	39	385
15	ODP	213/5T	208-230/460	3535	90.2	0.89	4.3	6.3	7.1	10.6	17.7	15.5	8.0	17.3	7.9	0.57	1.9	3.9	0.50	36.4	17.8	18.1	0.96	3.54	1.50	0.80	4.5	15	15	39	356
15	TEFC	254/6T	208-230/460	3530	91	0.88	4.3	6.3	7.1	10.6	17.7	19.3	10.5	20.8	9.6	0.57	1.9	3.9	0.50	43.7	25.0	18.1	1.11	3.39	1.50	0.80	4.5	18	18	45	521
15	ODP	213/5T	575	3535	90.2	0.89	4.3	6.3	7.1	10.6	17.7	15.5	8.0	17.3	7.9	0.57	1.9	3.9	0.50	36.4	17.8	18.1	0.96	3.54	1.50	0.80	4.5	15	15	39	355
15	TEFC	254/6T	575	3530	91	0.88	4.3	6.3	7.1	10.6	17.7	19.3	10.5	20.8	9.6	0.57	1.9	3.9	0.50	43.7	25.0	18.1	1.11	3.39	1.50	0.80	4.5	18	18	45	520
20	ODP	254/6T	208-230/460	3525	91	0.87	4.3	6.3	7.1	10.6	17.7	16.4	9.5	20.8	9.6	0.57	1.9	3.9	0.50	39.1	20.5	18.1	1.11	3.39	1.50	0.80	4.5	18	18	45	424
20	TEFC	254/6T	208-230/460	3520	91	0.89	4.3	6.3	7.1	10.6	17.7	19.3	10.5	20.8	9.6	0.57	1.9	3.9	0.50	43.7	25.0	18.1	1.11	3.39	1.50	0.80	4.5	18	18	45	546
20	ODP	254/6T	575	3525	91	0.87	4.3	6.3	7.1	10.6	17.7	16.4	9.5	20.8	9.6	0.57	1.9	3.9	0.50	39.1	20.5	18.1	1.11	3.39	1.50	0.80	4.5	18	18	45	423
20	TEFC	254/6T	575	3520	91	0.89	4.3	6.3	7.1	10.6	17.7	19.3	10.5	20.8	9.6	0.57	1.9	3.9	0.50	43.7	25.0	18.1	1.11	3.39	1.50	0.80	4.5	18	18	45	545
25	ODP	254/6T	208-230/460	3530	91.7	0.87	4.3	6.3	7.1	10.6	17.7	16.4	9.5	20.8	9.6	0.57	1.9	3.9	0.50	39.1	20.5	18.1	1.11	3.39	1.50	0.80	4.5	18	18	45	441
25	TEFC	284/6TS	208-230/460	3545	91.7	0.88	4.3	7.0	7.1	11.3	18.4	20.5	11.1	20.8	9.6	0.57	1.9	3.9	0.50	45.2	26.6	18.1	0.96	3.54	1.50	0.80	4.5	20	20	49	668
25	ODP	254/6T	575	3530	91.7	0.87	4.3	6.3	7.1	10.6	17.7	16.4	9.5	20.8	9.6	0.57	1.9	3.9	0.50	39.1	20.5	18.1	1.11	3.39	1.50	0.80	4.5	18	18	45	440
25	TEFC	284/6TS	575	3535	91.7	0.89	4.3	7.0	7.1	11.3	18.4	20.5	11.1	20.8	9.6	0.57	1.9	3.9	0.50	45.2	26.6	18.1	0.96	3.54	1.50	0.80	4.5	20	20	49	666
30	ODP	284TS	208-230/460	3545	91.7	0.86	4.3	7.0	7.1	11.3	18.4	20.1	11.9	20.8	9.6	0.57	1.9	3.9	0.50	40.6	22.0	18.1	1.11	3.39	1.50	0.80	4.5	18	18	45	566
30	TEFC	284/6TS	208-230/460	3540	91.7	0.89	4.3	7.0	7.1	11.3	18.4	20.5	11.1	20.8	9.6	0.57	1.9	3.9	0.50	45.2	26.6	18.1	0.96	3.54	1.50	0.80	4.5	20	20	49	686
30	ODP	284TS	575	3545	91.7	0.86	4.3	7.0	7.1	11.3	18.4	20.1	11.9	20.8	9.6	0.57	1.9	3.9	0.50	40.6	22.0	18.1	1.11	3.39	1.50	0.80	4.5	18	18	45	564
30	TEFC	284/6TS	575	3535	91.7	0.89	4.3	7.0	7.1	11.3	18.4	20.5	11.1	20.8	9.6	0.57	1.9	3.9	0.50	45.2	26.6	18.1	0.96	3.54	1.50	0.80	4.5	20	20	49	685

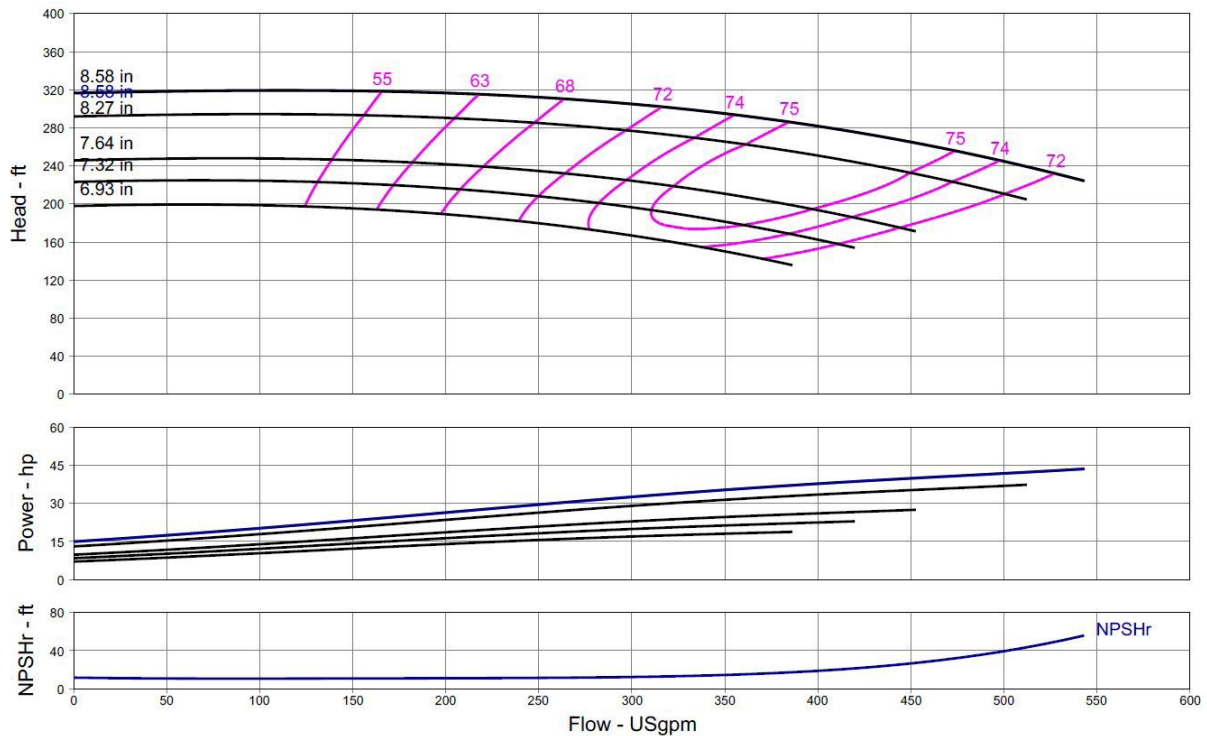
# Submittal Data Sheet

Wilco NL-HE - Base Mounted End Suction Pumps



## NL-HE 2.5 x 2 x 8 (2 Pole)

	Project:									
	Engineer:									
	Contractor:									
	Submitted By:					Date:				
	Approved By:					Date:				
Tag #	Model #	Flow (USGPM)	Head (Feet)	HP	Enclosure	Frame	Cycle	Phase	Voltage	RPM
	NL-HE 2.5 x 2 x 8						60Hz	3		



Technical Data	
<b>PEI</b>	
0.91	
<b>Approved Fluids</b>	
Heating Water	
Cooling and cold water	
<b>Pressure /Temperature Ratings</b>	
Ambient Temperature:	+5 °F to +104 °F (-15 °C to +40 °C)
Max Working Pressure & Temperature:	189 psi (up to 284 °F Fluid Temperature) 232 psi (up to 248 °F Fluid Temperature)
Water-Glycol Mixtures for 20-40% glycol and fluid temp ≤ 104°F (40°C)	

Materials of Construction	
Pump Housing	EN-GL-250 Gray Cast Iron
Impeller	EN 1.4408 Cast Stainless Steel
Impeller (optional)	CC480K Bronze or EN-GJL 1030 Cast Iron
Pump Shaft	1.4021 + QT700 Stainless Steel
Mechanical Seal	Carbon/silicon carbide/EPDM (E1)
Other Mechanical Seals	Avail. on request
Additional Spacer Coupling	Avail. on request
Other:	

Approval Stamp

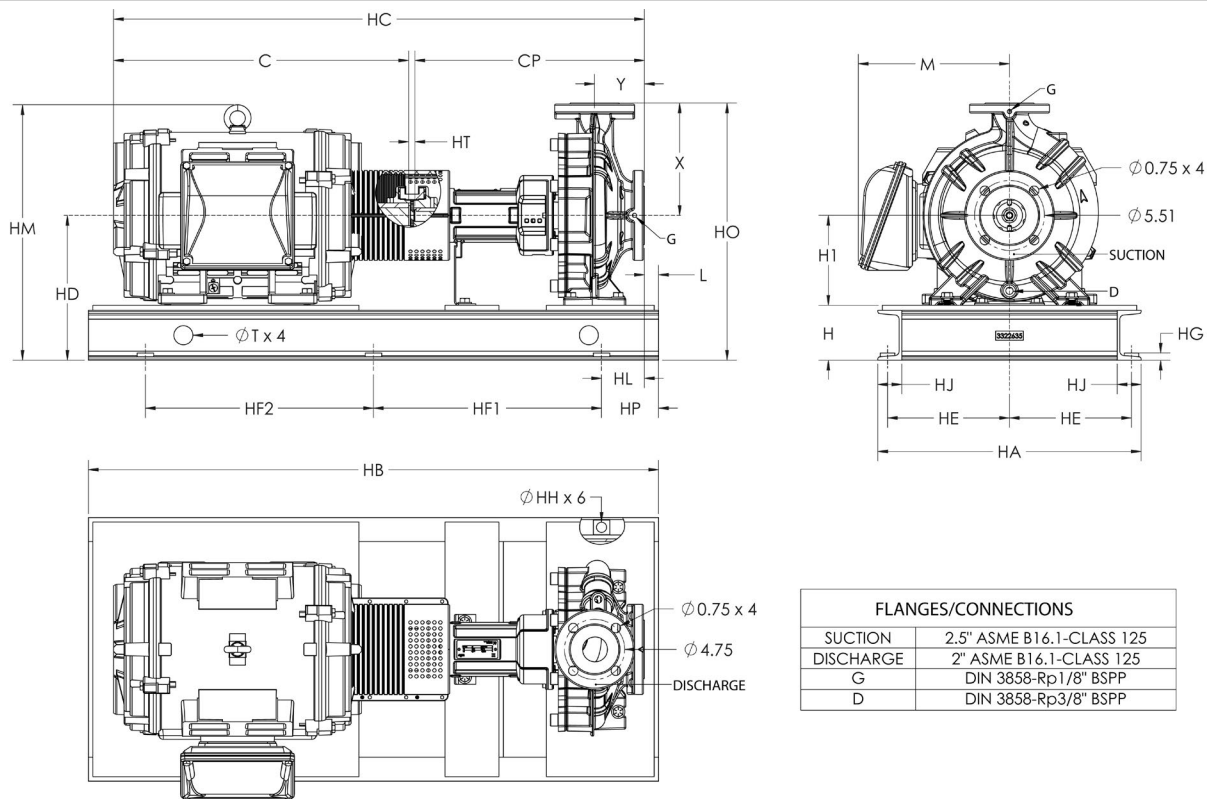
# Submittal Data Sheet

## Wilo NL-HE - Base Mounted End Suction Pumps



### Dimensions & Weights

#### Wilo NL-HE



FLANGES/CONNECTIONS	
SUCTION	2.5" ASME B16.1-CLASS 125
DISCHARGE	2" ASME B16.1-CLASS 125
G	DIN 3858-Rp1/8" BSPP
D	DIN 3858-Rp3/8" BSPP

#### NL-HE 2.5 x 2 x 8

Motor							Dimensions - Inches																				Wt. (lb)				
HP	ENCL	Frame	Volt	RPM	EFF	PF	H	H1	X	HD	HO	HM	M	HA	HE	HG	HJ	Y	HT	HC	C	CP	L	HL	T	HH		HP	HF1	HF2	HB
20	ODP	254/6T	208-230/460	3525	91	0.87	4.3	6.3	7.9	10.6	18.5	16.4	9.5	20.8	9.6	0.57	1.9	3.9	0.50	39.1	20.5	18.1	1.11	3.39	1.50	0.80	4.5	18	18	45	441
20	TEFC	254/6T	208-230/460	3520	91	0.89	4.3	6.3	7.9	10.6	18.5	19.3	10.5	20.8	9.6	0.57	1.9	3.9	0.50	43.7	25.0	18.1	1.11	3.39	1.50	0.80	4.5	18	18	45	563
20	ODP	254/6T	575	3525	91	0.87	4.3	6.3	7.9	10.6	18.5	16.4	9.5	20.8	9.6	0.57	1.9	3.9	0.50	39.1	20.5	18.1	1.11	3.39	1.50	0.80	4.5	18	18	45	440
20	TEFC	254/6T	575	3520	91	0.89	4.3	6.3	7.9	10.6	18.5	19.3	10.5	20.8	9.6	0.57	1.9	3.9	0.50	43.7	25.0	18.1	1.11	3.39	1.50	0.80	4.5	18	18	45	562
25	ODP	254/6T	208-230/460	3530	91.7	0.87	4.3	6.3	7.9	10.6	18.5	16.4	9.5	20.8	9.6	0.57	1.9	3.9	0.50	39.1	20.5	18.1	1.11	3.39	1.50	0.80	4.5	18	18	45	458
25	TEFC	284/6TS	208-230/460	3545	91.7	0.88	4.3	7.0	7.9	11.3	19.2	20.5	11.1	20.8	9.6	0.57	1.9	3.9	0.50	45.2	26.6	18.1	0.96	3.54	1.50	0.80	4.5	20	20	49	685
25	ODP	254/6T	575	3530	91.7	0.87	4.3	6.3	7.9	10.6	18.5	16.4	9.5	20.8	9.6	0.57	1.9	3.9	0.50	39.1	20.5	18.1	1.11	3.39	1.50	0.80	4.5	18	18	45	457
25	TEFC	284/6TS	575	3535	91.7	0.89	4.3	7.0	7.9	11.3	19.2	20.5	11.1	20.8	9.6	0.57	1.9	3.9	0.50	45.2	26.6	18.1	0.96	3.54	1.50	0.80	4.5	20	20	49	683
30	ODP	284TS	208-230/460	3545	91.7	0.86	4.3	7.0	7.9	11.3	19.2	20.1	11.9	20.8	9.6	0.57	1.9	3.9	0.50	40.6	22.0	18.1	1.11	3.39	1.50	0.80	4.5	18	18	45	583
30	TEFC	284/6TS	208-230/460	3540	91.7	0.89	4.3	7.0	7.9	11.3	19.2	20.5	11.1	20.8	9.6	0.57	1.9	3.9	0.50	45.2	26.6	18.1	0.96	3.54	1.50	0.80	4.5	20	20	49	703
30	ODP	284TS	575	3545	91.7	0.86	4.3	7.0	7.9	11.3	19.2	20.1	11.9	20.8	9.6	0.57	1.9	3.9	0.50	40.6	22.0	18.1	1.11	3.39	1.50	0.80	4.5	18	18	45	581
30	TEFC	284/6TS	575	3535	91.7	0.89	4.3	7.0	7.9	11.3	19.2	20.5	11.1	20.8	9.6	0.57	1.9	3.9	0.50	45.2	26.6	18.1	0.96	3.54	1.50	0.80	4.5	20	20	49	702
40	ODP	284/6TS	208-230/460	3540	92.4	0.87	4.3	7.0	7.9	11.3	19.2	20.1	11.9	20.8	9.6	0.57	1.9	3.9	0.50	41.9	23.3	18.1	1.11	3.39	1.50	0.80	4.5	18	18	45	627
40	TEFC	324/6TS	208-230/460	3555	92.4	0.89	4.3	8.0	7.9	12.3	20.2	22.7	12.6	20.8	9.6	0.57	1.9	3.9	0.85	48.6	29.6	18.1	0.96	3.54	1.50	0.80	4.5	20	20	49	857
40	ODP	284/6TS	575	3540	92.4	0.87	4.3	7.0	7.9	11.3	19.2	20.1	11.9	20.8	9.6	0.57	1.9	3.9	0.50	41.9	23.3	18.1	1.11	3.39	1.50	0.80	4.5	18	18	45	625
40	TEFC	324/6TS	575	3555	92.4	0.89	4.3	8.0	7.9	12.3	20.2	22.7	12.6	20.8	9.6	0.57	1.9	3.9	0.85	48.6	29.6	18.1	0.96	3.54	1.50	0.80	4.5	20	20	49	854
50	ODP	324TS	208-230/460	3560	93	0.85	4.3	8.0	7.9	12.3	20.2	22.1	13.4	20.8	9.6	0.57	1.9	3.9	0.85	43.3	24.3	18.1	0.96	3.54	1.50	0.80	4.5	20	20	49	733
50	TEFC	324/6TS	208-230/460	3550	93	0.89	4.3	8.0	7.9	12.3	20.2	22.7	12.6	20.8	9.6	0.57	1.9	3.9	0.85	48.6	29.6	18.1	0.96	3.54	1.50	0.80	4.5	20	20	49	880
50	ODP	324TS	575	3560	93	0.85	4.3	8.0	7.9	12.3	20.2	22.1	13.4	20.8	9.6	0.57	1.9	3.9	0.85	43.3	24.3	18.1	0.96	3.54	1.50	0.80	4.5	20	20	49	730
50	TEFC	324/6TS	575	3550	93	0.89	4.3	8.0	7.9	12.3	20.2	22.7	12.6	20.8	9.6	0.57	1.9	3.9	0.85	48.6	29.6	18.1	0.96	3.54	1.50	0.80	4.5	20	20	49	876

# Submittal Data Sheet

Wilo NL-HE – Base Mounted End Suction Pumps

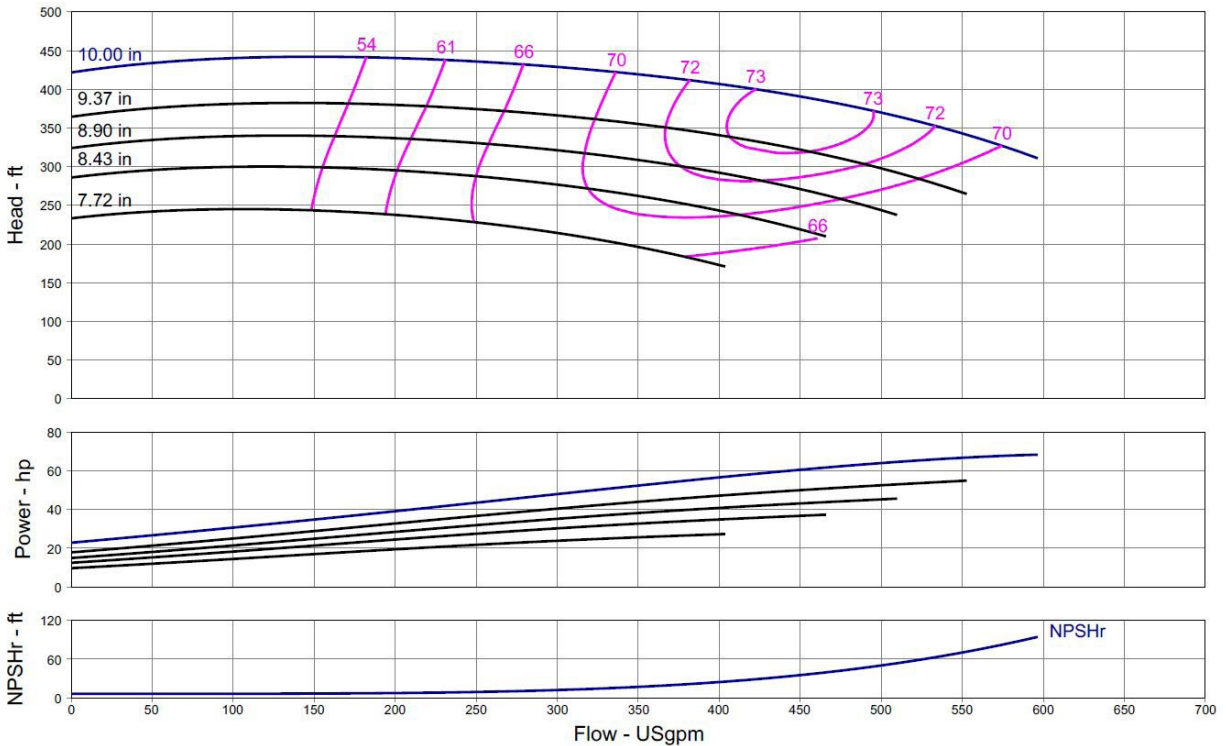


## NL-HE 2.5 x 2 x 10 (2 Pole)



Project:	
Engineer:	
Contractor:	
Submitted By:	Date:
Approved By:	Date:

Tag #	Model #	Flow (USGPM)	Head (Feet)	HP	Enclosure	Frame	Cycle	Phase	Voltage	RPM
	NL-HE 2.5 x 2 x 10						60Hz	3		



Technical Data	
PEI	0.89
Approved Fluids	
Heating Water	
Cooling and cold water	
Pressure /Temperature Ratings	
Ambient Temperature:	+5 °F to +104 °F (-15 °C to +40 °C)
Max Working Pressure & Temperature:	189 psi (up to 284 °F Fluid Temperature) 232 psi (up to 248 °F Fluid Temperature)
Water-Glycol Mixtures for 20-40% glycol and fluid temp ≤ 104°F (40°C)	

Materials of Construction	
Pump Housing	EN-GL-250 Gray Cast Iron
Impeller	EN 1.4408 Cast Stainless Steel
Impeller (optional)	CC480K Bronze or EN-GJL 1030 Cast Iron
Pump Shaft	1.4021 + QT700 Stainless Steel
Mechanical Seal	Carbon/silicon carbide/EPDM (E1)
Other Mechanical Seals	Avail. on request
Additional Spacer Coupling	Avail. on request
Other:	

Approval Stamp

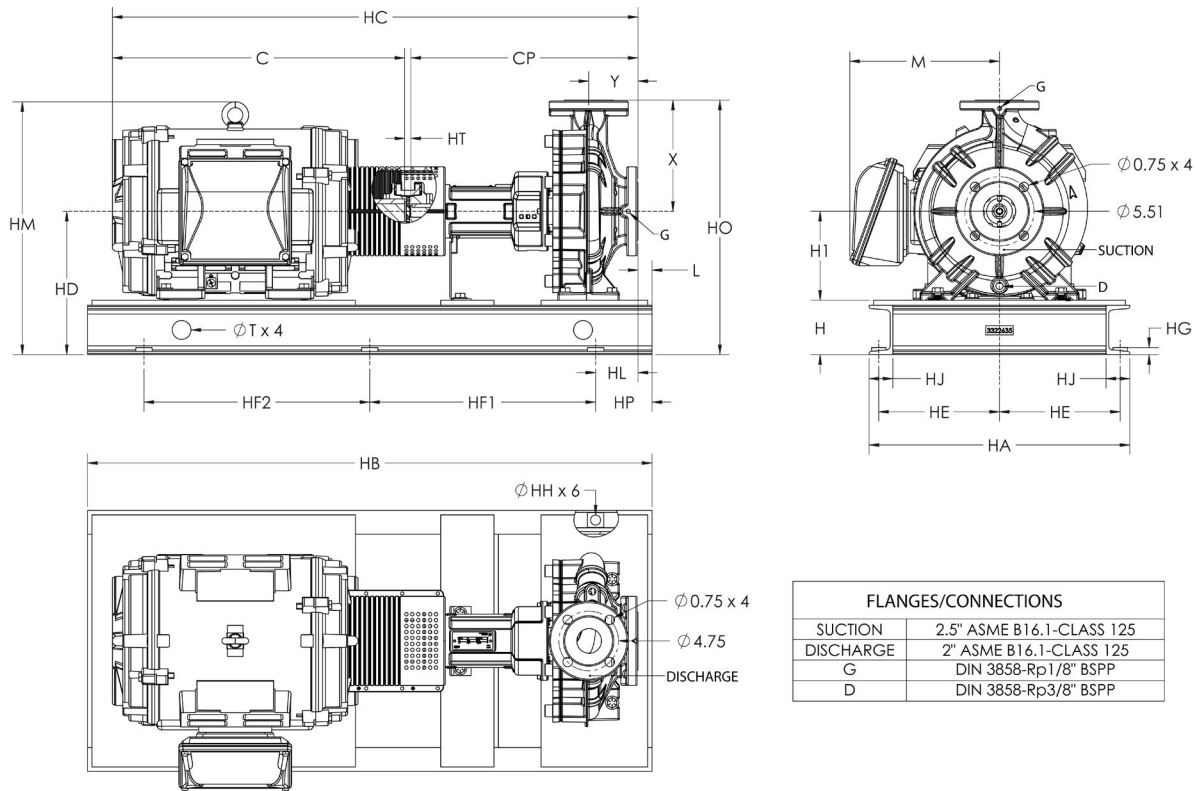
# Submittal Data Sheet

## Wilo NL-HE - Base Mounted End Suction Pumps



### Dimensions & Weights

#### Wilo NL-HE



#### NL-HE 2.5 x 2 x 10

Motor							Dimensions - Inches																								
HP	ENCL	Frame	Volt	RPM	EFF	PF	H	H1	X	HD	HO	HM	M	HA	HE	HG	HJ	Y	HT	HC	C	CP	L	HL	T	HH	HP	HF1	HF2	HB	Wt. (lb)
30	ODP	284TS	208-230/460	3545	91.7	0.86	4.3	7.1	8.9	11.4	20.3	20.1	11.9	20.8	9.6	0.57	1.9	3.9	0.50	40.6	22.0	18.1	1.11	3.39	1.50	0.80	4.5	18	18	45	594
30	TEFC	284/6TS	208-230/460	3540	91.7	0.89	4.3	7.1	8.9	11.4	20.3	20.6	11.1	20.8	9.6	0.57	1.9	3.9	0.50	45.2	26.6	18.1	1.11	3.39	1.50	0.80	4.5	20	20	49	714
30	ODP	284TS	575	3545	91.7	0.86	4.3	7.1	8.9	11.4	20.3	20.1	11.9	20.8	9.6	0.57	1.9	3.9	0.50	40.6	22.0	18.1	1.11	3.39	1.50	0.80	4.5	18	18	45	592
30	TEFC	284/6TS	575	3535	91.7	0.89	4.3	7.1	8.9	11.4	20.3	20.6	11.1	20.8	9.6	0.57	1.9	3.9	0.50	45.2	26.6	18.1	1.11	3.39	1.50	0.80	4.5	20	20	49	713
40	ODP	284/6TS	208-230/460	3540	92.4	0.87	4.3	7.1	8.9	11.4	20.3	20.1	11.9	20.8	9.6	0.57	1.9	3.9	0.50	41.9	23.3	18.1	1.11	3.39	1.50	0.80	4.5	18	18	45	638
40	TEFC	324/6TS	208-230/460	3555	92.4	0.89	4.3	8.0	8.9	12.3	21.2	22.7	12.6	20.8	9.6	0.57	1.9	3.9	0.85	48.6	29.6	18.1	1.11	3.39	1.50	0.80	4.5	20	20	49	871
40	ODP	284/6TS	575	3540	92.4	0.87	4.3	7.1	8.9	11.4	20.3	20.1	11.9	20.8	9.6	0.57	1.9	3.9	0.50	41.9	23.3	18.1	1.11	3.39	1.50	0.80	4.5	18	18	45	636
40	TEFC	324/6TS	575	3555	92.4	0.89	4.3	8.0	8.9	12.3	21.2	22.7	12.6	20.8	9.6	0.57	1.9	3.9	0.85	48.6	29.6	18.1	1.11	3.39	1.50	0.80	4.5	20	20	49	868
50	ODP	324TS	208-230/460	3560	93	0.85	4.3	8.0	8.9	12.3	21.2	22.1	13.4	20.8	9.6	0.57	1.9	3.9	0.85	43.3	24.3	18.1	1.11	3.39	1.50	0.80	4.5	18	18	45	723
50	TEFC	324/6TS	208-230/460	3550	93	0.89	4.3	8.0	8.9	12.3	21.2	22.7	12.6	20.8	9.6	0.57	1.9	3.9	0.85	48.6	29.6	18.1	1.11	3.39	1.50	0.80	4.5	20	20	49	894
50	ODP	324TS	575	3560	93	0.85	4.3	8.0	8.9	12.3	21.2	22.1	13.4	20.8	9.6	0.57	1.9	3.9	0.85	43.3	24.3	18.1	1.11	3.39	1.50	0.80	4.5	18	18	45	720
50	TEFC	324/6TS	575	3550	93	0.89	4.3	8.0	8.9	12.3	21.2	22.7	12.6	20.8	9.6	0.57	1.9	3.9	0.85	48.6	29.6	18.1	1.11	3.39	1.50	0.80	4.5	20	20	49	890
60	ODP	324/6TS	208-230/460	3560	93.6	0.85	4.3	8.0	8.9	12.3	21.2	22.1	13.4	20.8	9.6	0.57	1.9	3.9	0.85	44.8	25.8	18.1	1.11	3.39	1.50	0.80	4.5	18	18	45	768
60	TEFC	364/5TS	208-230/460	3560	93.6	0.9	6.0	9.0	8.9	15.0	23.8	24.0	16.0	23.7	10.9	0.64	2.4	3.9	0.85	51.3	32.3	18.1	1.56	4.44	2.25	0.95	6.0	20	20	52	1298
60	ODP	324/6TS	575	3560	93.6	0.85	4.3	8.0	8.9	12.3	21.2	22.1	13.4	20.8	9.6	0.57	1.9	3.9	0.85	44.8	25.8	18.1	1.11	3.39	1.50	0.80	4.5	18	18	45	765
60	TEFC	364/5TS	575	3560	93.6	0.9	6.0	9.0	8.9	15.0	23.8	24.0	16.0	23.7	10.9	0.64	2.4	3.9	0.85	51.3	32.3	18.1	1.56	4.44	2.25	0.95	6.0	20	20	52	1294
75	ODP	364/5TS	208-230/460	3555	93.6	0.87	6.0	9.0	8.9	15.0	23.8	27.2	15.6	23.7	10.9	0.64	2.4	3.9	0.85	46.5	27.5	18.1	1.56	4.44	2.25	0.95	6.0	20	20	52	1161
75	TEFC	364/5TS	208-230/460	3555	93.6	0.9	6.0	9.0	8.9	15.0	23.8	24.0	16.0	23.7	10.9	0.64	2.4	3.9	0.85	51.3	32.3	18.1	1.56	4.44	2.25	0.95	6.0	20	20	52	1303
75	ODP	364/5TS	575	3555	93.6	0.87	6.0	9.0	8.9	15.0	23.8	27.2	15.6	23.7	10.9	0.64	2.4	3.9	0.85	46.5	27.5	18.1	1.56	4.44	2.25	0.95	6.0	20	20	52	1157
75	TEFC	364/5TS	575	3555	93.6	0.9	6.0	9.0	8.9	15.0	23.8	24.0	16.0	23.7	10.9	0.64	2.4	3.9	0.85	51.3	32.3	18.1	1.56	4.44	2.25	0.95	6.0	20	20	52	1295