

Bloc-moteurs + Hydraulique

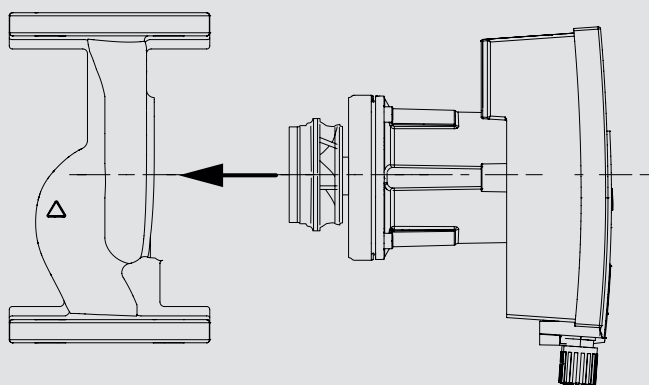
wilo

salmson



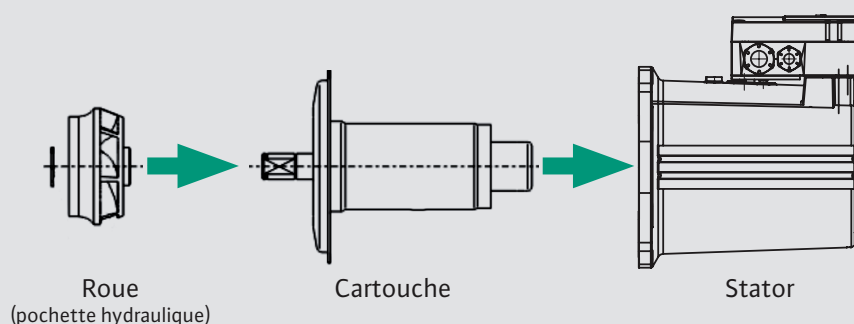
Disponibilité totale des **BLOC-MOTEURS**
pour vos parcs installés

Nous assurons le SAV et la fourniture de pièces de rechange
pendant au moins 10 ans.



Cartouches + Stators + Hydrauliques


Disponibilité totale des **cartouches, stators et**
pochettes hydrauliques pour vos parcs installés





Liste des références Bloc-moteurs Wilo

Visuels	N° d'article	Désignation BM Wilo	Circulateur Wilo	
PG 18 Bloc-moteurs Wilo				
	2119570	STRATOS 25/1-4 RMOT.	STRATOS 25/1-4	
	2095080	STRATOS 25/1-6 RMOT.CAN	STRATOS 25/1-6	
	2095081	STRATOS 25/1-8 RMOT.CAN	STRATOS 25/1-8	
	2119571	STRATOS 25/1-10 RMOT.	STRATOS 25/1-10	
	2119572	STRATOS 30/1-4 RMOT.	STRATOS 30/1-4	
	2095082	STRATOS 30/1-6 RMOT.CAN	STRATOS 30/1-6	
	2095083	STRATOS 30(-D 32)/1-8 RMOT.CAN	STRATOS 30/1-8	
	2119573	STRATOS 30/1-10 RMOT.	STRATOS 30/1-10	
	2119574	STRATOS 32/1-10 RMOT.	STRATOS 32/1-10	
	2095085	STRATOS /-D 32/1-12 RMOT.CAN	STRATOS 32/1-12	
	2095084	STRATOS 30/1-12 RMOT.CAN	STRATOS 30/1-12	
	2095086	STRATOS 40/1-4 RMOT.CAN	STRATOS 40/1-4	
	2095087	STRATOS /-D 40/1-8 RMOT.CAN	STRATOS 40/1-8	
	2119575	STRATOS 40/1-10 RMOT.	STRATOS 40/1-10	
	2095088	STRATOS /-D 40/1-12 RMOT.CAN	STRATOS 40/1-12	
	2146337	STRATOS /-D 40/1-16 RMOT.	Stratos 40/1-16 PN6/10	
	2095089	STRATOS /-D 50/1-8 RMOT.CAN	STRATOS 50/1-8	
	2119576	STRATOS 50/1-10 RMOT.	STRATOS 50/1-10	
	2095090	STRATOS /-D 50/1-9 RMOT.CAN	STRATOS 50/1-9	
	2095091	STRATOS /-D 50/1-12 RMOT.CAN	STRATOS 50/1-12	
	2146338	STRATOS /-D 50/1-16 RMOT.	Stratos 50/1-16 PN6/10	
	2151884	STRATOS 65/1-6 RMOT.	Stratos 65/1-6 PN6/10	
	2095092	STRATOS 65/1-9 RMOT.CAN	STRATOS 65/1-9	
	2163268	STRATOS /-D 65/1-12 RMOT.(SW>=6.12)	STRATOS 65/1-12 PN6/10	
	2146339	STRATOS /-D 65/1-16 RMOT.	Stratos 65/1-16 PN6/10	
	2163269	STRATOS /-D 80/1-6 RMOT.	Stratos 80/1-6 PN10	
	2095094	STRATOS /-D 80/1-12 RMOT.CAN	Stratos 80/1-12 PN10	
		2146235	Yonos MAXO 25/0,5-7 RMOT.	Yonos MAXO 25/0,5-7 PN10
		2146236	Yonos MAXO 25/0,5-10 RMOT.	Yonos MAXO 25/0,5-10 PN10
		2146237	Yonos MAXO 25/0,5-12 RMOT.	Yonos MAXO 25/0,5-12 PN10
		2146238	Yonos MAXO 30(-D 32)/0,5-7 RMOT.	Yonos MAXO 30/0,5-7 PN10
		2146239	Yonos MAXO 30/0,5-10 RMOT.	Yonos MAXO 30/0,5-10 PN10
		2146240	Yonos MAXO 30/0,5-12 RMOT.	Yonos MAXO 30/0,5-12 PN10
2146241		Yonos MAXO 40/0,5-4 RMOT.	Yonos MAXO 40/0,5-4 PN6/10	
2146242		Yonos MAXO /-D 40/0,5-8 RMOT.	Yonos MAXO 40/0,5-8 PN6/10	
2146243		Yonos MAXO/-D 40/0,5-12 RMOT.	Yonos MAXO 40/0,5-12 PN6/10	
2146244		Yonos MAXO/-D 40/0,5-16 RMOT.	Yonos MAXO 40/0,5-16	
2146245		Yonos MAXO 50/0,5-8 RMOT.	Yonos MAXO 50/0,5-8 PN6/10	
2146246		Yonos MAXO /-D 50/0,5-9 RMOT.	Yonos MAXO 50/0,5-9 PN6/10	
2146247		Yonos MAXO/-D 50/0,5-12 RMOT.	Yonos MAXO 50/0,5-12 PN6/10	
2146248		Yonos MAXO /-D 50/0,5-16 RMOT.	Yonos MAXO 50/0,5-16	
2146249		Yonos MAXO 65/0,5-9 RMOT.	Yonos MAXO 65/0,5-9 PN6/10	
2146250		Yonos MAXO /-D 65/0,5-12 RMOT.	Yonos MAXO 65/0,5-12	
2146251		Yonos MAXO /-D 65/0,5-16 RMOT.	Yonos MAXO 65/0,5-16	
2146252		Yonos MAXO 80/0,5-6 RMOT.	Yonos MAXO 80/0,5-6 PN10	
2146253		Yonos MAXO /-D 80/0,5-12 RMOT.	Yonos MAXO 80/0,5-12 PN10	
2146254		Yonos MAXO 100/0,5-12 RMOT.	Yonos MAXO 100/0,5-12 PN10	


Liste des références Bloc-moteurs Salmson

Visuels	N° d'article	Désignation BM Wilo	Circulateur Wilo
PG 18 Bloc-moteurs Salmson			
	2146985	BM Priux master 25-55	Priux master 25-55
	2146986	BM Priux master 25-65	Priux master 25-65
	2146987	BM Priux master 25-90	Priux master 25-90
	2146988	BM Priux master 32-55	Priux master 32-55 – Priux master D32-55
	2146989	BM Priux master 32-65	Priux master 32-65
	2146990	BM Priux master 32-90	Priux master 32-90
	2147005	BM Priux master-D 32-90	Priux master-D 32-90
	2146991	BM Priux master 40-30	Priux master 40-30
	2146992	BM Priux master 40-60	Priux master 40-60 – Priux master D40-60
	2146993	BM Priux master 40-80	Priux master 40-80 – Priux master D40-80
	2146994	BM Priux master 40-110	Priux master 40-110 – Priux master D40-110
	2146995	BM Priux master 50-60	Priux master 50-60
	2146996	BM Priux master 50-70	Priux master 50-70 – Priux master D50-70
	2146997	BM Priux master 50-80	Priux master 50-80 – Priux master D50-80
	2146998	BM Priux master 50-110	Priux master 50-110 – Priux master D50-110
	2146999	BM Priux master 65-80	Priux master 65-80
	2147000	BM Priux master 65-90	Priux master 65-90 – Priux master D65-90
	2147001	BM Priux master 65-110	Priux master 65-110 – Priux master D65-110
	2147002	BM Priux master 80-40	Priux master 80-40 – Priux master D 80-40
	2147003	BM priux master 80-90	Priux master 80-90 – Priux master D80-90
2147004	BM Priux master 100-90	Priux master 100-90	
	2115350	BM SIRIUX 25-30	SIRIUX 25-30
	2092250	BM SIRIUX 25-40	SIRIUX 25-40
	2092252	BM SIRIUX 25-60	SIRIUX 25-60
	2115352	BM SIRIUX 25-65	SIRIUX 25-65
	2115351	BM SIRIUX 32-30	SIRIUX 32-30
	2092251	BM SIRIUX 32-40	SIRIUX 32-40
	2092253	BM SIRIUX 32-60	SIRIUX 32-60 – SIRIUX D32-60
	2115353	BM SIRIUX 32-65	SIRIUX 32-65
	2115354	BM SIRIUX 32-65F	SIRIUX 32-65F
	2092255	BM SIRIUX 32-70	SIRIUX 32-70 – SIRIUX D32-70
	2092256	BM SIRIUX 32-90	SIRIUX 32-90
	2092254	BM SIRIUX 40-30	SIRIUX 40-30
	2092257	BM SIRIUX 40-60	SIRIUX 40-60 – SIRIUX D40-60
	2115355	BM SIRIUX 40-65	SIRIUX 40-65
	2092259	BM SIRIUX 40-80	SIRIUX 40-80 – SIRIUX D40-80
	2146183	BM SiriuX 40-110	SIRIUX 40-110 – SIRIUX D40-110
	2092258	BM SIRIUX 50-60	SIRIUX 50-60 – SIRIUX D50-60
	2115356	BM SIRIUX 50-65	SIRIUX 50-65
	2092260	BM SIRIUX 50-70	SIRIUX 50-70 – SIRIUX D50-70
	2092261	BM SIRIUX 50-80	SIRIUX 50-80 – SIRIUX D50-80
	2146184	BM SiriuX 50-110	SIRIUX 50-110 – SIRIUX D50-110
	2152374	BM SiriuX 65-40	SIRIUX 65-40
	2092262	BM SIRIUX 65-80	SIRIUX 65-80
	2092263	BM SIRIUX 65-90	SIRIUX 65-90 (réf. 2080598 – 2091536 – 2150621) SIRIUX D65-90 (réf. 2080599 – 2091544 – 2150626)
	2163273	BM SiriuX 65-90N	SIRIUX 65-90N (réf. 2163272) – SIRIUX D65-90 (réf. 2160576)
	2146185	BM SiriuX 65-110	SIRIUX 65-110 – SIRIUX D65-110
	2163274	BM SiriuX 80-40	SIRIUX 80-40 – SIRIUX D80-40
	2092264	BM SIRIUX 80-90	SIRIUX 80-90 – SIRIUX D80-90

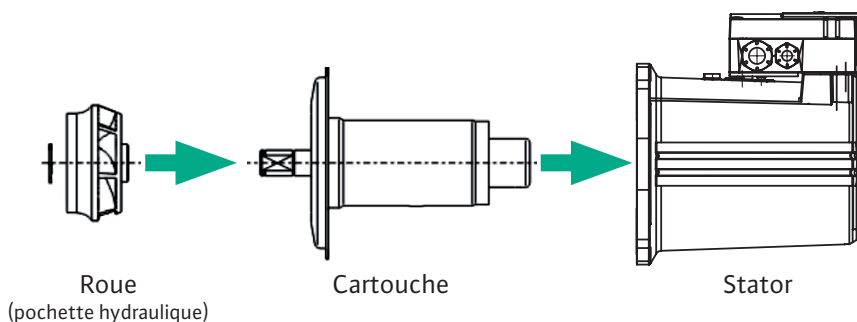
Liste des références Bloc-moteurs Salmson

Visuels	N° d'article	Désignation BM Wilo	Circulateur Wilo	
PG 18 Bloc-moteurs Salmson				
	2146985	BM Priux master 25-55	Priux master 25-55	
	2146986	BM Priux master 25-65	Priux master 25-65	
	2146987	BM Priux master 25-90	Priux master 25-90	
	2146988	BM Priux master 32-55	Priux master 32-55 – Priux master D32-55	
	2146989	BM Priux master 32-65	Priux master 32-65	
	2146990	BM Priux master 32-90	Priux master 32-90	
	2147005	BM Priux master-D 32-90	Priux master-D 32-90	
	2146991	BM Priux master 40-30	Priux master 40-30	
	2146992	BM Priux master 40-60	Priux master 40-60 – Priux master D40-60	
	2146993	BM Priux master 40-80	Priux master 40-80 – Priux master D40-80	
	2146994	BM Priux master 40-110	Priux master 40-110 – Priux master D40-110	
	2146995	BM Priux master 50-60	Priux master 50-60	
	2146996	BM Priux master 50-70	Priux master 50-70 – Priux master D50-70	
	2146997	BM Priux master 50-80	Priux master 50-80 – Priux master D50-80	
	2146998	BM Priux master 50-110	Priux master 50-110 – Priux master D50-110	
	2146999	BM Priux master 65-80	Priux master 65-80	
	2147000	BM Priux master 65-90	Priux master 65-90 – Priux master D65-90	
	2147001	BM Priux master 65-110	Priux master 65-110 – Priux master D65-110	
	2147002	BM Priux master 80-40	Priux master 80-40 – Priux master D 80-40	
	2147003	BM priux master 80-90	Priux master 80-90 – Priux master D80-90	
	2147004	BM Priux master 100-90	Priux master 100-90	
		2115350	BM SIRIUX 25-30	SIRIUX 25-30
		2092250	BM SIRIUX 25-40	SIRIUX 25-40
		2092252	BM SIRIUX 25-60	SIRIUX 25-60
		2115352	BM SIRIUX 25-65	SIRIUX 25-65
		2115351	BM SIRIUX 32-30	SIRIUX 32-30
		2092251	BM SIRIUX 32-40	SIRIUX 32-40
		2092253	BM SIRIUX 32-60	SIRIUX 32-60 – SIRIUX D32-60
		2115353	BM SIRIUX 32-65	SIRIUX 32-65
		2115354	BM SIRIUX 32-65F	SIRIUX 32-65F
		2092255	BM SIRIUX 32-70	SIRIUX 32-70 – SIRIUX D32-70
		2092256	BM SIRIUX 32-90	SIRIUX 32-90
		2092254	BM SIRIUX 40-30	SIRIUX 40-30
		2092257	BM SIRIUX 40-60	SIRIUX 40-60 – SIRIUX D40-60
		2115355	BM SIRIUX 40-65	SIRIUX 40-65
		2092259	BM SIRIUX 40-80	SIRIUX 40-80 – SIRIUX D40-80
		2146183	BM Sirix 40-110	SIRIUX 40-110 – SIRIUX D40-110
		2092258	BM SIRIUX 50-60	SIRIUX 50-60 – SIRIUX D50-60
		2115356	BM SIRIUX 50-65	SIRIUX 50-65
2092260		BM SIRIUX 50-70	SIRIUX 50-70 – SIRIUX D50-70	
2092261		BM SIRIUX 50-80	SIRIUX 50-80 – SIRIUX D50-80	
2146184		BM Sirix 50-110	SIRIUX 50-110 – SIRIUX D50-110	
2152374		BM Sirix 65-40	SIRIUX 65-40	
2092262		BM SIRIUX 65-80	SIRIUX 65-80	
2092263		BM SIRIUX 65-90	SIRIUX 65-90 (réf. 2080598 – 2091536 – 2150621) SIRIUX D65-90 (réf. 2080599 – 2091544 – 2150626)	
2163273		BM Sirix 65-90N	SIRIUX 65-90N (réf. 2163272) – SIRIUX D65-90 (réf. 2160576)	
2146185		BM Sirix 65-110	SIRIUX 65-110 – SIRIUX D65-110	
2163274		BM Sirix 80-40	SIRIUX 80-40 – SIRIUX D80-40	
2092264		BM SIRIUX 80-90	SIRIUX 80-90 – SIRIUX D80-90	
4051849		BMSDB33-25B-HX	DSB33-25B-HX	
2095378		BMSXS32-35	SXS32-35	
2045568		BMSXS32-35M	SXS 32-35M	
2065415		BMSXS40-40	SXS 40-40	
2065416		BMSXS40-40M	SXS 40-40M	
2065417		BMSXS50-50	SXS 50-50	
2065418		BMSXS65-60	SXS 65-60	
2065419		BMSXS80-50	SXS 80-50	
4202341		BM Priux home D 60	Priux home D 60-32/180mm (réf. 4202339)	
4179851		BM Priux home D 60 FS13	Priux home D 60-32/180mm FS13 (réf. 4177690)	
4198297		BM Priux home D 80	Priux home D 80-32/180mm (réf. 4198295)	
4188982	BM Priux home D 80 FS13	Priux home D 80-32/180mm FS13 (réf. 4188981)		

Liste des références plaques d'obturation

Visuels	N° d'article	Désignation BM Wilo	Circulateur Wilo
PG 15 Pièces de rechange			
	2160572	Siriux-D-32-60	KIT Bride pleine GR.23
	2091538	Siriux-D 32-70	KIT Bride pleine GR.33
	2091539	Siriux-D 40-60	KIT Bride pleine GR.33
	2091540	Siriux-D 40-80	KIT Bride pleine GR.43
	2150627	Siriux-D 40-110	KIT Bride pleine GR.53/63
	2091541	Siriux-D 50-60	KIT Bride pleine GR.33
	2091542	Siriux-D 50-70	KIT Bride pleine GR.43
	2091543	Siriux-D 50-80	KIT Bride pleine GR.43
	2150628	Siriux-D 50-110	KIT Bride pleine GR.53/63
	2160576	Siriux-D 65-90	KIT Bride pleine GR.53/63
	2150629	Siriux-D 65-110	KIT Bride pleine GR.53/63
	2163270	Siriux-D 80-40	KIT Bride pleine GR.53/63
	2150630	Siriux-D 80-90	KIT Bride pleine GR.53/63
	2160589	Priux master-D 32-55	KIT Bride pleine GR.23
	2120699	Priux master-D 32-90	KIT Bride pleine GR.33
	2120700	Priux master-D 40-60	KIT Bride pleine GR.33
	2120701	Priux master-D 40-80	KIT Bride pleine GR.43
	2120702	Priux master-D 40-110	KIT Bride pleine GR.53/63
	2120703	Priux master-D 50-70	KIT Bride pleine GR.43
	2120704	Priux master-D 50-80	KIT Bride pleine GR.43
	2120705	Priux master-D 50-110	KIT Bride pleine GR.53/63
	2120706	Priux master-D 65-90	KIT Bride pleine GR.53/63
	2120707	Priux master-D 65-110	KIT Bride pleine GR.53/63
	2163271	Priux master-D 80-40	KIT Bride pleine GR.53/63
	2120708	Priux master-D 80-90	KIT Bride pleine GR.53/63

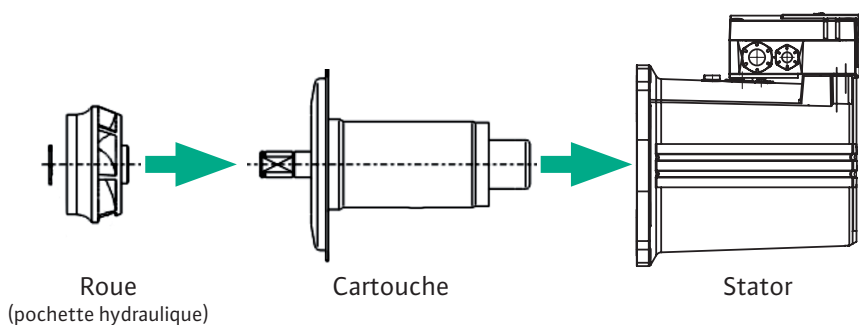
Cartouches + Stators + Hydrauliques



**Pièces de réparation
circulateurs
asynchrones Wilo**

N° d'article	Désignation BM Wilo	Circulateur Wilo
PG 15 Pièces de rechange		
Cartouches + Stators		
2138789	KIT STATOR/ROTOR CPL.TOP-S/SD80/20 DM	TOP-S 80/20 DM PN10 - TOP-SD80/20 DM PN10
2138806	KIT STATOR/ROTOR CPL.TOP-S/SD80/15 DM	TOP-S 80/15 DM PN10 - TOP-SD80/15 DM PN10
Stators		
2026815	UNITÉ STATOR TOP-D30 TRI PN6/10 KIT	TOP-D 30 DM PN6/10
2026816	UNITÉ STATOR TOP-D40 TRI PN6/10 KIT	TOP-D 40 DM PN6/10
2026817	UNITÉ STATOR TOP-D50 TRI PN6/10 KIT	TOP-D 50 DM PN6/10
2040117	UNITÉ STATOR TOP-S/SV25/7 TRI KIT	TOP-S25/7 DM
2040118	UNITÉ STATOR TOP-S/SV/SD30(32)/7 TRI KIT	TOP-S 30/7 DM - TOP-SD32/7 DM
2040119	UNITÉ STATOR TOP-S/SV40/4 TRI KIT	TOP-S 40/4 DM
2040867	UNITÉ STATOR TOP-S50/4 MONO KIT	TOP-S 50/4 EM
2040880	UNITÉ STATOR TOP-S30/10 MONO KIT	TOP-S 30/10 EM (réf. 2046600)
2040881	UNITÉ STATOR TOP-S/SD40/7 MONO KIT	TOP-S 40/7 EM - TOP-SD40/7 EM
2046242	UNITÉ STATOR TOP-S65/7 TRI KIT	TOP-S 65/7 DM
2046244	UNITÉ STATOR TOP-S/SD50/10 TRI KIT	TOP-S 50/10 DM - TOP-SD50/10 DM
2046245	UNITÉ STATOR TOP-S/SD65/10 TRI KIT	TOP-S 65/10 DM (réf. 2046611) - TOP-SD65/10 DM (réf. 2046626)
2046250	UNITÉ STATOR TOP-S/SD50/7 2-STF.KIT	TOP-S 50/7 EM - TOP-SD50/7 EM
2046252	UNITÉ STATOR TOP-S65/7 2-STF.KIT	TOP-S 65/7 EM

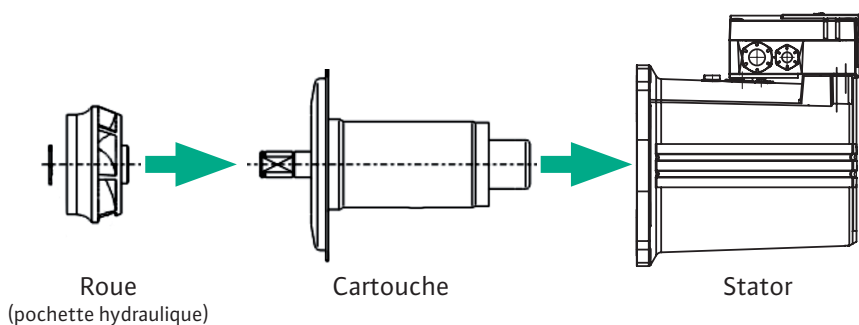
Cartouches + Stators + Hydrauliques



Pièces de réparation circulateurs asynchrones Wilo

N° d'article	Désignation BM Wilo	Circulateur Wilo
PG 15 Pièces de rechange		
Stators		
2046253	UNITÉ STATOR TOP-S/SD65/10 2-STF.KIT	TOP-S 65/10 EM (réf.2046656) - TOP-SD65/10 EM (réf.2046661)
2046257	UNITÉ STATOR TOP-S25/5 MONO KIT	TOP-S 25/5 EM
2046258	UNITÉ STATOR TOP-S25/5 TRI KIT	TOP-S 25/5 DM
2046263	UNITÉ STATOR TOP-S30/4 MONO KIT	TOP-S 30/4 EM - TOP-SD40/3 EM
2046264	UNITÉ STATOR TOP-S/SD30/5-4 TRI KIT	TOP-S 30/4 DM - TOP-S 30/5 DM - TOP-SD30/5 DM - TOP-SD40/3 DM
2046265	UNITÉ STATOR TOP-S/SD30/5 MONO KIT	TOP-S 30/5 EM - TOP-SD30/5 EM
2053758	UNITÉ STATOR TOP-D80 TRI PN6 KIT	TOP-D 80 DM PN10
2053760	UNITÉ STATOR TOP-S25/7 MONO KIT	TOP-S25/7 EM
2053761	UNITÉ STATOR TOP-S/SV/SD30(32)/7 MONO KIT	TOP-S 30/7 EM - TOP-SD32/7 EM
2053762	UNITÉ STATOR TOP-S/SV40/4 MONO KIT	TOP-S 40/4 EM
2053765	UNITÉ STATOR TOP-S30/10 TRI KIT	TOP-S 30/10 DM
2053766	UNITÉ STATOR TOP-S/SD40/7 TRI KIT	TOP-S 40/7 DM - TOP-SD40/7 DM
2053767	UNITÉ STATOR TOP-S50/4 TRI KIT	TOP-S 50/4 DM
2053768	UNITÉ STATOR TOP-S/SD40/10 TRI KIT	TOP-S 40/10 DM - TOP-SD40/10 DM
2053771	UNITÉ STATOR TOP-S80/7 TRI(450) KIT	TOP-S 80/7 DM PN10
2053780	UNITÉ STATOR TOP-S/SD65/13 TRI KIT	TOP-S 65/13 DM - TOP-SD65/13 DM
2053781	UNITÉ STATOR TOP-S/SD65/15 TRI KIT	TOP-S 65/15 DM - TOP-SD65/15 DM
2053783	UNITÉ STATOR TOP-S/SD80/10 TRI KIT	TOP-S 80/10 DM PN10 - TOP-SD80/10 DM PN10
2053784	UNITÉ STATOR TOP-S100/10 TRI KIT	TOP-S 100/10 DM PN10
2053791	UNITÉ STATOR TOP-S/SD40/10 2-STF.KIT	TOP-S 40/10 EM - TOP-SD40/10 EM
2055461	UNITÉ STATOR TOP-S/SD50/7 TRI KIT	TOP-S 50/7 DM - TOP-SD50/7 DM
2055462	UNITÉ STATOR TOP-S/SD50/10 2-STF.KIT	TOP-S 50/10 EM - TOP-SD50/10 EM
2090197	UNITÉ STATOR TOP-S25/10 MONO KIT	TOP-S 25/10 EM
2090199	UNITÉ STATOR TOP-S25/10 TRI KIT	TOP-S 25/10 DM
2090205	UNITÉ STATOR TOP-S/SD40/15 TRI KIT	TOP-S 40/15 DM - TOP-SD40/15 DM
2090208	UNITÉ STATOR TOP-S/SD50/15 TRI KIT	TOP-S 50/15 DM - TOP-SD50/15 DM
2090213	UNITÉ STATOR TOP-D100 TRI KIT	TOP-D 100 DM PN10
2090219	UNITÉ STATOR TOP-D125 TRI KIT	TOP-D 125 DM PN10
2096150	UNITÉ STATOR TOP-S/SD40/15 2-STF.KIT	TOP-S 40/15 EM - TOP-SD40/15 EM
2096151	UNITÉ STATOR TOP-S/SD65/10 2-STF.KIT	TOP-S 65/10 EM (réf. 2080058) - TOP-SD65/10 EM (réf. 2080087)
2096152	UNITÉ STATOR TOP-S/SD65/10 TRI 450W KIT	TOP-S 65/10 DM (réf. 2080059) - TOP-SD65/10 DM (réf. 2080088)
2096154	UNITÉ STATOR TOP-SD32/10 MONO KIT	TOP-SD 32/10 EM
2096155	UNITÉ STATOR TOP-SD32/10 TRI KIT	TOP-SD 32/10 DM
2046253	UNITÉ STATOR TOP-S/SD65/10 2-STF.KIT	TOP-S 65/10 EM (réf.2046656) - TOP-SD65/10 EM (réf.2046661)
2046253	UNITÉ STATOR TOP-S/SD65/10 2-STF.KIT	TOP-S 65/10 EM (réf.2046656) - TOP-SD65/10 EM (réf.2046661)

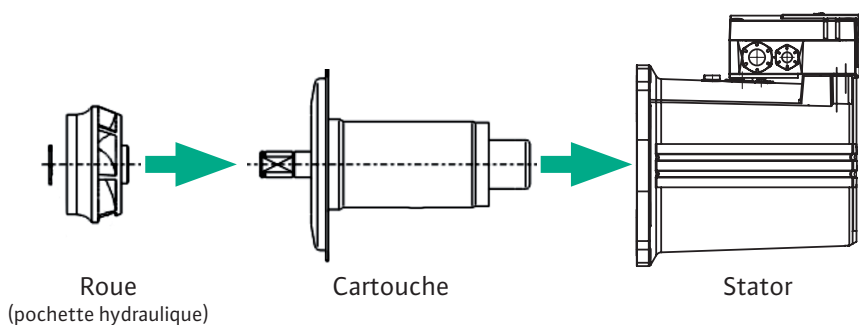
Cartouches + Stators + Hydrauliques



Pièces de réparation circulateurs asynchrones Wilo

N° d'article	Désignation BM Wilo	Circulateur Wilo
PG 15 Pièces de rechange		
Rotors		
2026805	UNITÉ ROTOR 42/120/4 KIT	TOP-D 80 DM PN10
2026806	UNITÉ ROTOR 32/60/4 KIT	TOP-D 65 DM PN6/10
2026807	UNITÉ ROTOR 22/20/4 KIT	TOP-D 30 DM PN6/10 - TOP-D 40 DM PN6/10 - TOP-D 50 DM PN6/10
2034980	UNITÉ ROTOR 42/350/2 2-STF.KIT	TOP-S 40/10 EM (réf. 2046652) - TOP-SD40/10 EM (réf. 2046658) - TOP-S 50/7 EM (réf. 2046653)
		TOP-SD50/7 EM (réf. 2046659) - TOP-S 50/10 EM - TOP-SD50/10 EM - TOP-S 65/7 EM (réf. 2046655)
2034981	UNITÉ ROTOR 52/570/2 2-STF.KIT	TOP-S 65/10 EM (réf. 2046656) - TOP-SD65/10 EM (réf. 2046661)
2035668	UNITÉ ROTOR 52/1300/2 KIT	TOP-S 65/15 DM - TOP-SD65/15 DM
2035940	UNITÉ ROTOR 32/180/2 KIT	TOP-S 25/10 EM - TOP-S 25/10 DM - TOP-S 30/10 EM - TOP-S 30/10 DM - TOP-S 40/7 EM - TOP-SD40/7 EM
		TOP-S 40/7 DM - TOP-SD40/7 DM - TOP-S 50/4 EM - TOP-S50/4 DM - TOP-SD 32/10 EM - TOP-SD 32/10 DM
2042922	UNITÉ ROTOR 22/90/2 KIT	TOP-S25/7 EM - TOP-S25/7 DM - TOP-S 30/7 EM - TOP-S30/7 DM - TOP-S 40/4 EM - TOP-S 40/4 DM - TOP-SD32/7 EM - TOP-SD32/7 DM
2044180	UNITÉ ROTOR 52/1100/2 KIT	TOP-S 50/15 DM - TOP-SD50/15 DM - TOP-S 65/13 DM - TOP-SD65/13 DM - TOP-S 80/10 DM PN10 - TOP-SD80/10 DM PN10 - TOP-S 100/10 DM PN10
2044181	UNITÉ ROTOR 52/570/2 +DT.KIT	TOP-S 40/15 DM - TOP-SD40/15 DM - TOP-S 65/10 DM (réf. 2046611) - TOP-SD65/10 DM (réf. 2046626)
2044183	UNITÉ ROTOR 42/450/2 +DT.KIT	TOP-S 50/10 DM - TOP-SD50/10 DM - TOP-S 80/7 DM PN10
2044184	UNITÉ ROTOR 42/350/2-B D.15/20 +DT.KIT	TOP-S 40/10 DM - TOP-SD40/10 DM - TOP-S 50/7 DM - TOP-SD50/7 DM - TOP-S 65/7 DM (réf. 2080057)
2044185	UNITÉ ROTOR 42/350/2-B +DT.KIT	TOP-S 65/7 DM (réf. 2046610)
2046262	UNITÉ ROTOR 22/80/2 LR.66 KIT	TOP-S 25/5 EM - TOP-S 25/5 DM - TOP-S 30/5 EM - TOP-S 30/5 DM - TOP-SD30/5 EM - TOP-SD30/5 DM
2057966	UNITÉ ROTOR 22/80/2 LR.35/60 KIT	TOP-S 30/4 EM - TOP-S 30/4 DM - TOP-SD40/3 EM - TOP-SD40/3 DM
2094642	UNITÉ ROTOR 42/450/2 D.15/20 KIT	TOP-S 40/10 EM (réf. 2080044) - TOP-S 50/7 EM (réf. 2080050) - TOP-S 65/7 EM (réf. 2080056) - TOP-S 65/10 EM (réf. 2080058) - TOP-S 65/10 DM (réf. 2080059)
		TOP-SD40/10 EM (réf. 2080077) - TOP-SD50/7 EM (réf. 2080081) - TOP-SD65/10 EM (réf. 2080087) - TOP-SD65/10 DM (réf. 2080088)
2053791	UNITÉ STATOR TOP-S/SD40/10 2-STF.KIT	TOP-S 40/10 EM - TOP-SD40/10 EM
2055461	UNITÉ STATOR TOP-S/SD50/7 TRI KIT	TOP-S 50/7 DM - TOP-SD50/7 DM
2055462	UNITÉ STATOR TOP-S/SD50/10 2-STF.KIT	TOP-S 50/10 EM - TOP-SD50/10 EM
2090197	UNITÉ STATOR TOP-S25/10 MONO KIT	TOP-S 25/10 EM
2090199	UNITÉ STATOR TOP-S25/10 TRI KIT	TOP-S 25/10 DM
2090205	UNITÉ STATOR TOP-S/SD40/15 TRI KIT	TOP-S 40/15 DM - TOP-SD40/15 DM
2090208	UNITÉ STATOR TOP-S/SD50/15 TRI KIT	TOP-S 50/15 DM - TOP-SD50/15 DM
2090213	UNITÉ STATOR TOP-D100 TRI KIT	TOP-D 100 DM PN10
2090219	UNITÉ STATOR TOP-D125 TRI KIT	TOP-D 125 DM PN10
2096150	UNITÉ STATOR TOP-S/SD40/15 2-STF.KIT	TOP-S 40/15 EM - TOP-SD40/15 EM
2096151	UNITÉ STATOR TOP-S/SD65/10 2-STF.KIT	TOP-S 65/10 EM (réf. 2080058) - TOP-SD65/10 EM (réf. 2080087)
2096152	UNITÉ STATOR TOP-S/SD65/10 TRI 450W KIT	TOP-S 65/10 DM (réf. 2080059) - TOP-SD65/10 DM (réf. 2080088)
2096154	UNITÉ STATOR TOP-SD32/10 MONO KIT	TOP-SD 32/10 EM
2096155	UNITÉ STATOR TOP-SD32/10 TRI KIT	TOP-SD 32/10 DM
2046253	UNITÉ STATOR TOP-S/SD65/10 2-STF.KIT	TOP-S 65/10 EM (réf.2046656) - TOP-SD65/10 EM (réf.2046661)
2046253	UNITÉ STATOR TOP-S/SD65/10 2-STF.KIT	TOP-S 65/10 EM (réf.2046656) - TOP-SD65/10 EM (réf.2046661)

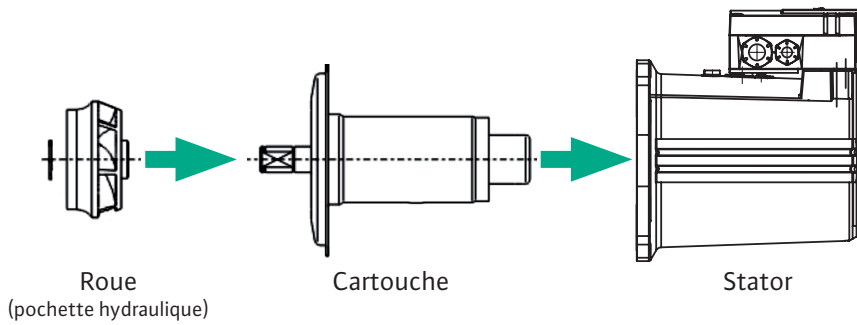
Cartouches + Stators + Hydrauliques



Pièces de réparation circulateurs asynchrones Wilo

N° d'article	Désignation BM Wilo	Circulateur Wilo
PG 15 Pièces de rechange		
Roues		
2000528	ROUE D.70/86/25 KIT	TOP-S 65/10 DM (réf. 2046611) - TOP-SD65/10 DM (réf. 2046626)
2000529	ROUE D.70/108/25 KIT	TOP-S 65/13 DM - TOP-SD65/13 DM
2000530	ROUE D.70/85/20 KIT	TOP-S 65/7 DM (réf. 2046610)
2000531	ROUE D.80/99/25 KIT	TOP-S 80/10 DM PN10 (réf. 2046617) - TOP-SD80/10 DM PN10 (réf. 2046630) - TOP-S 100/10 DM PN10 (réf. 2046619)
2004632	ROUE D.56/95/20 KIT	TOP-S 50/10 DM - TOP-SD50/10 DM
2006438	ROUE D.33/78/15 KIT	TOP-S25/7 EM (réf. 2048320) - TOP-S25/7 DM (réf. 2048321) - TOP-S 30/7 EM (réf. 2048322) - TOP-S 30/7 DM (réf.2048323) - TOP-SD32/7 EM - TOP-SD32/7 DM
2006439	ROUE D.33/95/15 KIT	TOP-S 25/10 EM (réf. 2061962) - TOP-S 25/10 DM (réf.2061963) - TOP-S 30/10 EM - TOP-S 30/10 DM -TOP-SD 32/10 EM - TOP-SD 32/10 DM
2006442	ROUE D.54/70/15 KIT	TOP-S 50/4 EM - TOP-S 50/4 DM
2010568	ROUE D.48/100/20 KIT	TOP-S 40/10 EM (réf. 2046652) - TOP-SD40/10 EM (réf. 2046658)
2026796	ROUE D.45/57/15 KIT	TOP-D 30 DM PN6/10
2026797	ROUE D.54/75/15 KIT	TOP-D 50 DM PN6/10
2026798	ROUE D.54/75/15 (KTW) KIT	TOP-D 65 DM PN6/10
2026799	ROUE D.80/100/20 KIT	TOP-D 80 DM PN10
2029979	ROUE D.47/89/15 KIT	TOP-S 40/10 EM (réf. 2080044) - TOP-SD40/10EM (réf.2080077) - TOP-S 40/10 DM - TOP-SD40/10 DM
2029980	ROUE D.55/77/15 KIT	TOP-S 50/7 EM (réf. 2080050) - TOP-SD50/7 EM (réf.2080081) - TOP-S 50/7 DM - TOP-SD50/7 DM - TOP-S 65/7EM (réf. 2080056) - TOP-S 65/7 DM (réf. 2080057)
2034975	ROUE D.56/83,5/20 2-STF.KIT	TOP-S 50/7 EM (réf. 2046653) -TOP-SD50/7 EM (réf. 2046659)
2034976	ROUE D.56/92/20 2-STF.KIT	TOP-S 50/10 EM (réf. 2046654) - TOP-SD50/10 EM (réf. 2046660)
2035667	ROUE D.70(77)/114/25 KIT	TOP-S 50/15 DM (réf. 2080015) - TOP-SD50/15 DM (réf.2080039) - TOP-S 65/15 DM - TOP-SD65/15 DM
2035868	ROUE D.62/82,7/20 KIT	TOP-S 80/7 DM PN10 (réf. 2046615)
2038712	ROUE D.45/77/15 KIT	TOP-S 40/7 EM - TOP-SD40/7 EM - TOP-S 40/7 DM -TOP-SD40/7 DM
2041387	ROUE D.45/70/15 KIT	TOP-S 40/4 EM - TOP-S 40/4 DM - TOP-D 40 DM PN6/10
2090149	ROUE D.44/114/25 KIT	TOP-S 40/15 EM - TOP-SD40/15 EM - TOP-S 40/15 DM -TOP-SD40/15 DM
2090211	ROUE D.85/105/25 KIT	TOP-D 100 DM PN10
2090217	ROUE D.90/116/25 KIT	TOP-D 125 DM PN10
2094630	ROUE D.56/91/20 KIT	TOP-S 50/10 EM (réf. 2080052) - TOP-SD50/10 EM (réf. 2080083)
2094631	ROUE D.70/115,2/25 KIT	TOP-S 50/15 DM (réf. 2080055) - TOP-SD50/15 DM (réf. 2080086)
2094632	ROUE D.61/88/15 KIT	TOP-S 65/10 EM (réf. 2080058) - TOP-SD65/10 EM (réf.2080087) - TOP-S 65/10 DM (réf. 2080059) - TOP-SD65/10 DM (réf. 2080088)
2094633	ROUE D.62/82,7/20 KIT	TOP-S 80/7 DM PN10 (réf. 2080064)
2094634	ROUE D.65/100/25 KIT	TOP-S 80/10 DM PN10 (réf. 2080066) - TOP-S 100/10 DM PN10 (réf. 2080072) - TOP-SD80/10 DM PN10 (réf. 2080093)
2094635	ROUE D.70/112/25 KIT	TOP-S 80/15 DM PN10 - TOP-SD80/15 DM PN10
2094636	ROUE D.70/124/25 KIT	TOP-S 80/20 DM PN10 - TOP-SD80/20 DM PN10

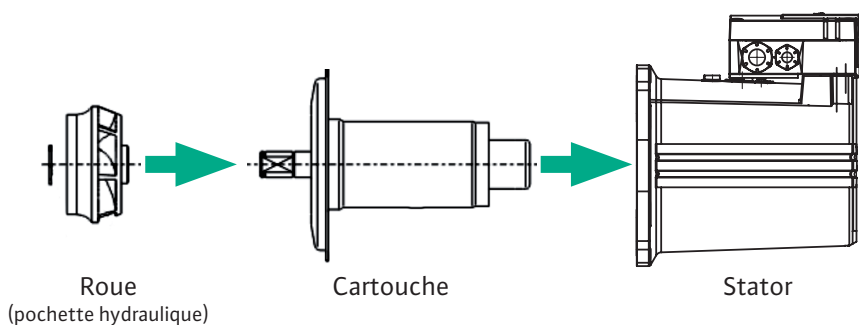
Cartouches + Stators + Hydrauliques



Pièces de réparation circulateurs asynchrones Wilo

N° d'article	Désignation BM Wilo	Circulateur Wilo
PG 15 Pièces de rechange		
Modules		
2045477	MODULE GR.32 EM KIT	TOP-S 25/10 EM - TOP-S 30/10 EM - TOP-SD 32/10 EM - TOP-S 40/7 EM - TOP-SD40/7 EM - TOP-S 50/4 EM
2045478	MODULE GR.42-52 EM 2-STF.(16MF)SET	TOP-S 40/10 EM - TOP-SD40/10 EM - TOP-S 50/7 EM - TOP-SD50/7 EM - TOP-S 65/7 EM
2045479	MODULE GR.32-52 DM KIT	TOP-S 25/10 DM - TOP-S 30/10 DM - TOP-SD 32/10 DM - TOP-S 40/7 DM - TOP-SD40/7 DM - TOP-S 40/10 DM - TOPSD40/10 DM - TOP-S 40/15 DM - TOP-SD40/15 DM TOP-S 50/4 DM - TOP-S 50/7 DM - TOP-SD50/7 DM - TOP-S50/10 DM - TOP-SD50/10 DM - TOP-S 50/15 DM - TOPSD50/15 DM - TOP-S 65/7 DM - TOP-S 65/10 DM TOP-SD65/10 DM - TOP-S 65/13 DM - TOP-SD65/13 DM - TOP-S 65/15 DM - TOP-SD65/15 DM - TOP-S 80/7 DM PN10 - TOP-S 80/10 DM PN10 - TOP-SD80/10 DM PN10 - TOP-S 100/10 DM PN10
2045480	MODULE GR.32-52 DM(E) TOP-D KIT	TOP-D 65 DM PN6/10 - TOP-D 80 DM PN10 - TOP-D 100 DM PN10 - TOP-D 125 DM PN10
2046290	MODULE GR.42-52 EM 2-STF.(25MF)SET	TOP-S 40/15 EM - TOP-SD40/15 EM - TOP-S 50/10 EM - TOP-SD50/10 EM - TOP-S 65/10 EM - TOP-SD65/10 EM
2056778	MODULE GR.22 EM LDS 5µF+PG WILO KIT	TOP-S 30/4 EM - TOP-SD40/3 EM
2056779	MODUL GR.22 EM LDS 3,7µF+PG WILO SET	TOP-S 25/5 EM - TOP-S 30/5 EM - TOP-SD30/5 EM
2056780	MODULE GR.22 DM LDS+PG WILO KIT	TOP-S 30/4 DM - TOP-S 25/5 DM - TOP-S 30/5 DM - TOPSD30/5 DM - TOP-SD40/3 DM
2056782	MODULE GR.22 MONO KIT	TOP-S25/7 EM - TOP-S 30/7 EM - TOP-SD32/7 EM - TOP-S40/4 EM
2056783	MODULE GR.22 TRI KIT	TOP-S25/7 DM - TOP-S 30/7 DM - TOP-SD32/7 DM - TOP-S 40/4 DM
2094637	MODULE GR.72 DM KIT	TOP-S 80/15 DM PN10 - TOP-SD80/15 DM PN10 - TOP-S 80/20 DM PN10 - TOP-SD80/20 DM PN10

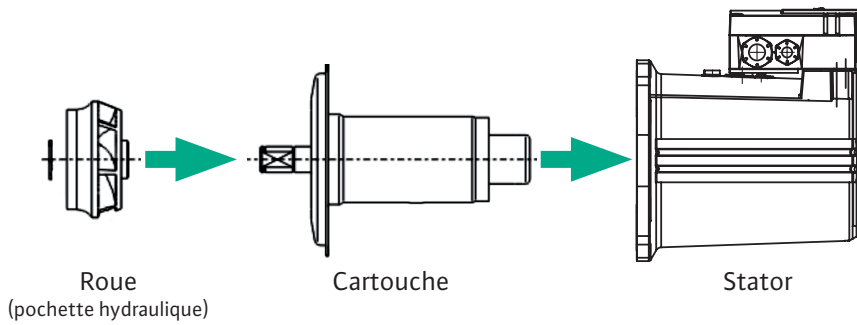
Cartouches + Stators + Hydrauliques



Pièces de réparation circulateurs asynchrones Salmson

N° d'article	Désignation BM Wilo	Circulateur Wilo
PG 15 Pièces de rechange		
Cartouches		
2133609	Cartouche 32-35 1~/3~	DCX32-35 - DXM32-35 - SCX32-35 - SXM32-35
2133610	Cartouche 32-45/40-45 1~/3~	DCX40-45 - DXM40-45 - SCX32-45 - SXM32-45
2133611	Cartouche 32-50 1~/3~	DCX32-50 - DXM32-50 - SCX32-50 - SXM32-50
2133612	Cartouche 32-80N 1~/3~	DCX32-80N - DXM32-80N - SCX32-80N - SXM32-80N
2133613	Cartouche 40-110N 3~	DCX40-110N - SCX40-110N
2133614	Cartouche 40-30N 1~/3~	SCX40-30N - SXM40-30N
2133615	Cartouche 40-40N 1~/3~	DCX40-40N - DXM40-40N - SCX40-40N - SXM40-40N
2133616	Cartouche 40-80N 3~	DCX40-80N - SCX40-80N
2133617	Cartouche 50-110N 3~	DCX50-110N - SCX50-110N
2133618	Cartouche 50-25N 1~/3~	DCX50-25N - DXM50-25N - SCX50-25N - SXM50-25N
2133619	Cartouche 50-50N 3~	DCX50-50N - SCX50-50N
2133620	Cartouche 50-90N 3~	DCX50-90N - SCX50-90N
2133621	Cartouche 65-110N 3~	DCX65-110N - SCX65-110N
2133622	Cartouche 65-25N 3~	DCX65-25N - SCX65-25N
2133623	Cartouche 65-50N 3~	DCX65-50N (450W) - SCX65-50N (450W)
2133624	Cartouche 65-90N 3~	DCX65-90N - SCX65-90N
2133627	Cartouche 80-25N 3~	DCX80-25N (450W) - SCX80-25N (450W)
2133628	Cartouche 80-50/100-50N 3~	DCX80-50N - SCX100-50N - SCX80-50N
2133629	Cartouche 40-110N 1~	DXM40-110N - SXM40-110N
2133630	Cartouche 40-80N 1~	DXM40-80N - SXM40-80N
2133631	Cartouche 50-50N 1~	DXM50-50N - SXM50-50N
2133632	Cartouche 50-90N 1~	DXM50-90N - SXM50-90N
2133633	Cartouche 65-25N 1~	DXM65-25N - SXM65-25N
2133634	Cartouche 65-50N 1~	DXM65-50N (450W) - SXM65-50N (450W)
2133635	Cartouche 80-25N 1~	DXM80-25N (450W) - SXM80-25N (450W)
2133636	Cartouche 180W 1~/3~	DCX40-40 - DCX50-25 - DXM40-40 - DXM50-25 - SCX32-80 - SCX40-40 - SCX50-25 - SXM32-80 - SXM40-40 - SXM50-25
2133637	Cartouche 350W 3~	DCX40-80 - DCX50-50 - DCX65-25 - SCX40-80 - SCX50-50 - SCX65-25
2133638	Cartouche 450W 1~/3~	DCX50-90 - DXM40-80 - DXM50-50 - DXM50-90 - DXM65-25 - SCX50-90 - SXM40-80 - SXM50-50 - SXM50-90 - SXM65-25
2133639	Cartouche 570W 1~	DXM65-50 - DXM80-25 - SXM65-50 - SXM80-25
2133640	Cartouche 570W 3~	DCX65-50 - DCX80-25 - SCX65-50 - SCX80-25
2133641	Cartouche 1100W 3~	DCX65-90 - DCX80-50 - SCX65-90 - SCX80-50
Stator		
2133590	Stator 60W 1~230V KIT	DXM32-35 - SXM32-35
2133591	Stator 80W 1~230V KIT	DXM32-50 - DXM40-25 - SXM32-25 - SXM32-50
2133592	Stator 80W 3~400V KIT	DCX32-35 - DCX32-50 - DCX40-25 - SCX32-25 - SCX32-35 - SCX32-50
2133593	Stator 100W 1~230V KIT	DXM40-45 - SXM32-45
2133594	Stator 100W 3~400V KIT	DCX40-45 - SCX32-45
2133595	Stator 180W 1~230V KIT	DXM32-80N - DXM40-40 - DXM40-40N - DXM50-25 - DXM50-25N - SXM32-80 - SXM32-80N - SXM40-40 - SXM40-40N - SXM50-25 - SXM50-25N
2133596	Stator 180W 3~400V KIT	DCX32-80N - DCX40-40 - DCX40-40N - DCX50-25 - DCX50-25N - SCX32-80 - SCX32-80N - SCX40-40 - SCX40-40N - SCX50-25 - SCX50-25N
2133597	Stator 350W 1~230V KIT	DXM40-80 - DXM40-80N - DXM50-50 - DXM50-50N - DXM65-25 - DXM65-25N - SXM40-80 - SXM40-80N - SXM50-50 - SXM50-50N - SXM65-25 - SXM65-25N
2133598	Stator 350W 3~400V KIT	DCX40-80N - DCX50-50N - DCX65-25N - SCX40-80N - SCX50-50N - SCX65-25N

Cartouches + Stators + Hydrauliques



Pièces de réparation circulateurs asynchrones Salmson

N° d'ar-ticle	Désignation BM Wilo	Circulateur Wilo
PG 15 Pièces de rechange		
Stator		
2133599	Stator RL 350W 3~400V KIT	DCX40-80 - DCX50-50 - DCX65-25 - SCX40-80 - SCX50-50 - SCX65-25
2133600	Stator 450W 1~230V KIT	DXM50-90 - DXM50-90N - DXM65-50N (450W) - DXM80-25N (450W) - SXM50-90 - SXM50-90N - SXM65-50N (450W) - SXM80-25N (450W)
2133601	Stator 450W 3~400V KIT	DCX50-90 - DCX50-90N - DCX65-50N (450W) - DCX80-25N (450W) - SCX50-90 - SCX50-90N - SCX65-50N (450W) - SCX80-25N (450W)
2133602	Stator 570W 1~230V KIT	DXM40-110N - DXM65-50 - DXM80-25 - SXM40-110N - SXM65-50 - SXM80-25
2133603	Stator 570W 3~400V KIT	DCX40-110N - DCX65-50 - DCX80-25 - SCX40-110N - SCX65-50 - SCX80-25
2133604	Stator 1100W 3~400V KIT	DCX50-110N - DCX65-90 - DCX65-90N - DCX80-50 - DCX80-50N - SCX100-50N - SCX50-110N - SCX65-90 - SCX65-90N - SCX80-50 - SCX80-50N
2133605	Stator 1300W 3~400V KIT	DCX65-110N - SCX65-110N
2136496	Stator 90W 3~400V KIT	SCX40-30N
Pochettes hydrauliques		
4004104	PHE01	SCX32-80 - SXM32-80
4004105	PHE02	DCX40-40 - DXM40-40 - SCX40-40 - SXM40-40
4004106	PHE03	DCX40-80 - DXM40-80 - SCX40-80 - SXM40-80
4004107	PHE04	DCX50-25 - DXM50-25 - SCX50-25 - SXM50-25
4004108	PHE05	DCX50-50 - DXM50-50 - SCX50-50 - SXM50-50
4004111	PHE08	DCX65-50 - DXM65-50 - SCX65-50 - SXM65-50
4004112	PHE09	DCX65-90 - SCX65-90
4004113	PHE10	DCX80-25 - DXM80-25 - SCX80-25 - SXM80-25
4004114	PHE11	DCX80-50 - SCX80-50