

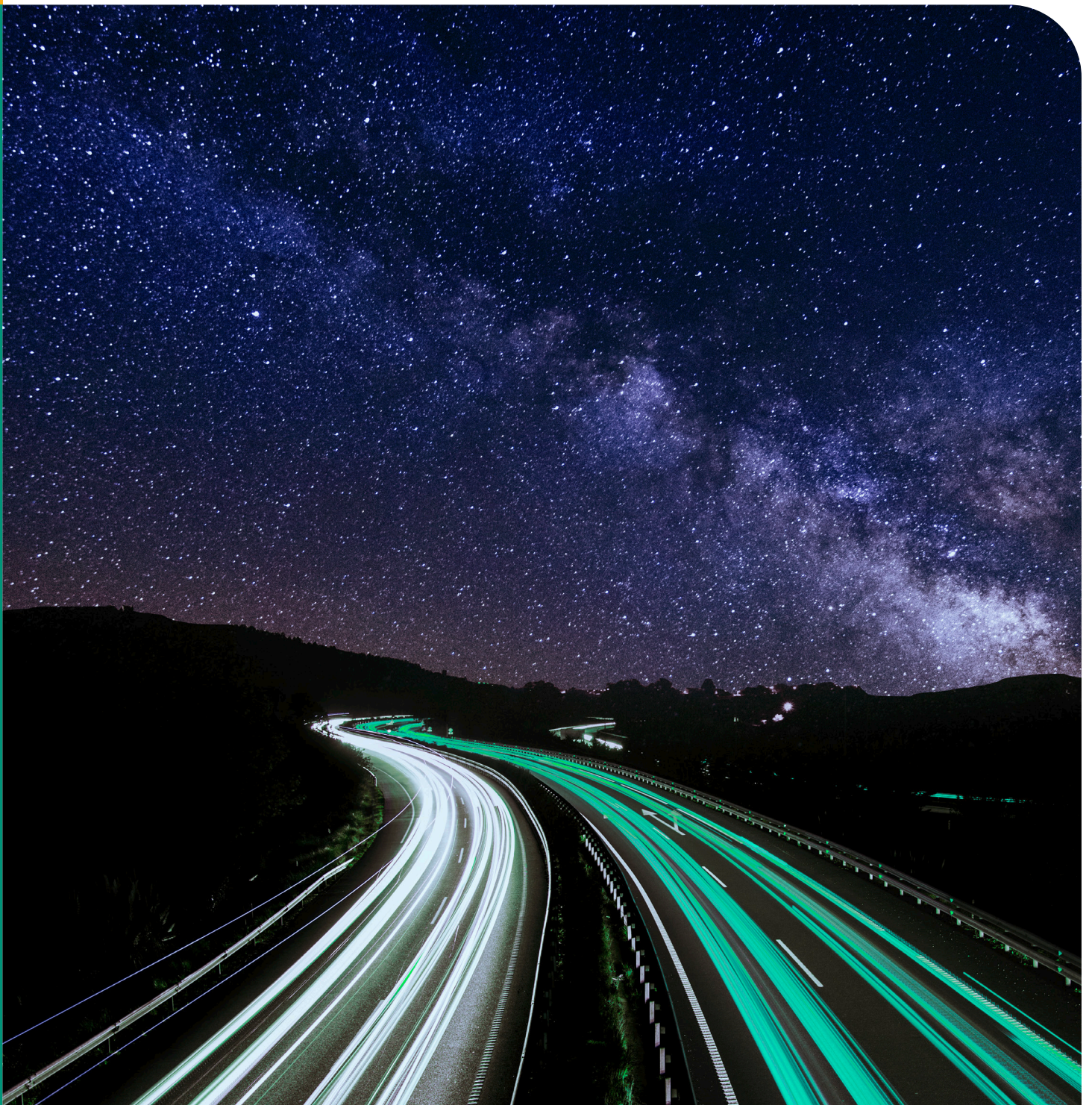
Pioneering for You

wilo

Spare Parts - UK

Wilo Critical Spare Parts — User Guide

Maximum operational reliability – Wilo UK has a fast, friendly and knowledgeable team dedicated to meet your spare part requirements.



Contents

<i>Introduction to Spare Parts Online Catalogue.....</i>	<i>3</i>
<i>Glandless Pumps.....</i>	<i>4-7</i>
<i>Glanded Pumps.....</i>	<i>8-9</i>
<i>Boosters and Multistage Pumps.....</i>	<i>10-11</i>
<i>Pressurisation Units.....</i>	<i>12-13</i>
<i>Submersible Pumps.....</i>	<i>13</i>
<i>Equipment Asset List for Quotations.....</i>	<i>14</i>



Introduction to Spare Parts Catalogue

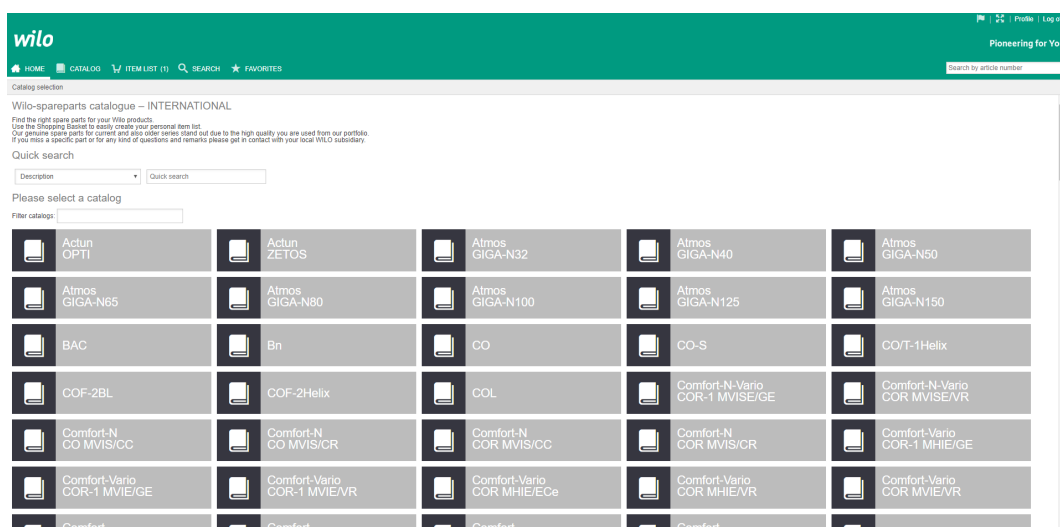
To accurately identify spare parts, we require the full appliance information and a list of what you require. All Wilo products carry an article number which is the key to obtaining the correct spare parts list. If you require price and availability or if you can't find the parts you are looking for, please email spareparts.uk@wilo.com and we will be happy to assist you. Please be sure to include a photo of the appliance data plate in your email to use to help us to gather more information.

Using our online catalogue is simple:

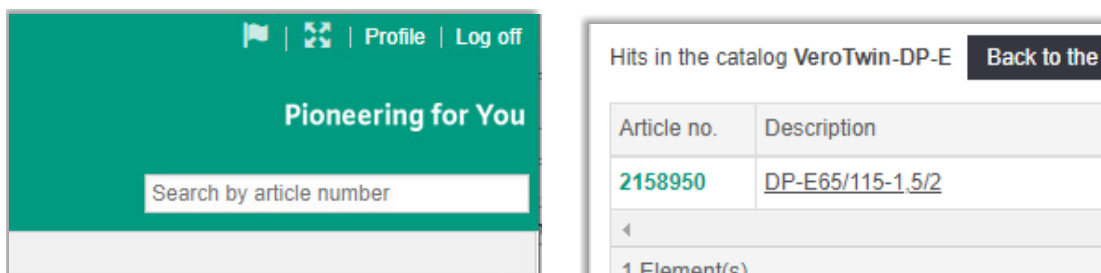
1. Find your pump article number which is located on the data plate.

2. Go to the Wilo Spare Parts catalogue:

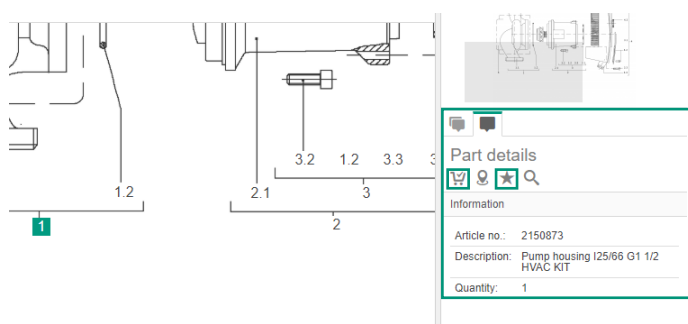
<https://spareparts.wilo.com/international.php/m/catalogSelection/index>



3. Enter your article number and select your pump.



4. Add products to the item list or to your favourites to review them later.

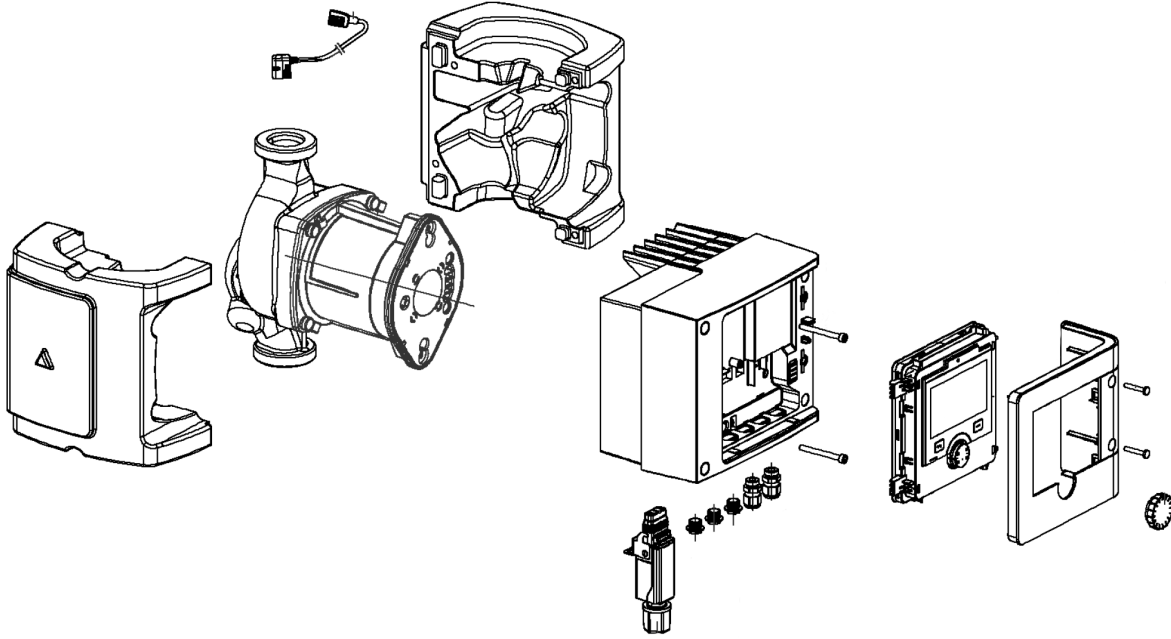


5. Send the list to Wilo by email (spareparts.uk@wilo.com) for a price and availability quotation or call (+44 (0)1283 523000) with the article numbers you wish to purchase.

Glandless Pumps

Glandless in-line circulation pump with threaded or flange connection, EC motor with automatic power adjustment.

The critical spares for Glandless pumps are called RMOT's which include Seal, Motor and Module. See Customer Price List for pump RMOT article number.



	Series	Drive Type
Single Pumps:	Wilo-Stratos MAXO	Inverter Driven
	Wilo-Stratos MAXO-Z Bronze	Inverter Driven
	Wilo-Stratos	Inverter Driven
	Wilo-Stratos-Z Bronze	Inverter Driven
	Wilo-Yonos MAXO	Inverter Driven
	Wilo-Yonos MAXO-Z Bronze	Inverter Driven
	Wilo-TOP-Z Bronze	3 Speed
Double Pumps:	Wilo-Stratos MAXO-D	Inverter Driven
	Wilo-Stratos-D	Inverter Driven
	Wilo-Yonos MAXO-D	Inverter Driven

Full list of parts on pages 5-7

SITE ASSET LIST		
Article Number	Description	Qty*

Quantity 2 required for Twin Headed pumps

RMOT Head Replacement Kits

Bronze (Glandless Pumps)

Yonos MAXO-Z		TOP-Z	
Article Number	Description	Article Number	Description
2191261	Yonos MAXO-Z 25/0,5-7 PN10 RMOT	2115468	TOP-Z 20/4 EM RMOT.
2191262	Yonos MAXO-Z 25/0,5-10 PN10 RMOT	2115469	TOP-Z 20/4 DM RMOT.
2191263	Yonos MAXO-Z 30/0,5-7 PN10 RMOT	2064235	TOP-Z25/6 EM RMOT.
2191264	Yonos MAXO-Z 30/0,5-12 PN10 RMOT	2122051	TOP-Z25/6 DM RMOT.
2191265	Yonos MAXO-Z 40/0,5-8 PN6/10 RMOT	2048348	TOP-ZV25/7 EM RMOT.
2191266	Yonos MAXO-Z 40/0,5-12 PN6/10 RMOT	2048349	TOP-ZV25/7 DM RMOT.
2191267	Yonos MAXO-Z 50/0,5-9 PN6/10 RMOT	2175537	TOP-Z25/10 DM PN6/10 RMOT.ab 03/2017
2191268	Yonos MAXO-Z 65/0,5-12 RMOT.	2087599	TOP-Z25/10 DM PN6/10 RMOT.
STRATOS-Z		2087600	TOP-Z25/10 EM PN6/10 RMOT.
Article Number	Description	2048350	TOP-Z/ZV30/7 EM RMOT.
2095096	STRATOS-Z 25/1-8 RMOT.CAN	2048351	TOP-Z/ZV30/7 DM RMOT.
2095097	STRATOS-Z 30/1-8 RMOT.CAN	2090117	TOP-Z30/10 EM PN6/10 RMOT.
2095098	STRATOS-Z 30/1-12 RMOT.CAN	2109226	TOP-Z30/10 DM PN6/10 RMOT.
2095099	STRATOS-Z 32/1-12 RMOT.CAN	2176066	TOP-Z30/10 DM PN6/10 RMOT. from 03/2017
2095100	STRATOS-Z 40/1-8 RMOT.CAN	2048352	TOP-ZV40/4 EM RMOT.
2095101	STRATOS-Z 40/1-12 RMOT.CAN	2048353	TOP-ZV40/4 DM RMOT.
2095102	STRATOS-Z 50/1-9 RMOT.CAN	2176067	TOP-Z40/7 DM GG/RG RMOT.from 03/2017
2095103	STRATOS-Z 65/1-12 RMOT.CAN	2046683	TOP-Z40/7 EM GG/RG RMOT.
Stratos MAXO-Z		2046684	TOP-Z40/7 DM GG/RG RMOT.
Article Number	Description	2046685	TOP-ZV50/6 EM RMOT.
2186383	Stratos MAXO-Z 25/0,5-6 RMOT.	2046686	TOP-ZV50/6 DM RMOT.
2186384	Stratos MAXO-Z 25/0,5-8 RMOT.	2176068	TOP-ZV50/6 DM RMOT.from 03/2017
2186385	Stratos MAXO-Z 25/0,5-12 RMOT.	2176069	TOP-Z50/7 DM GG/RG RMOT.from 03/2017
2186386	Stratos MAXO-Z 30/0,5-6 RMOT.	2046687	TOP-Z50/7 DM GG/RG RMOT.
2186387	Stratos MAXO-Z 30/0,5-8 RMOT.	2046688	TOP-Z/ZV65/10 DM RMOT.
2186388	Stratos MAXO-Z 30/0,5-12 RMOT.	2176070	TOP-Z/ZV65/10 DM RMOT.from 03/2017
2186389	Stratos MAXO-Z 32/0,5-8 RMOT.	2046689	TOP-Z80/10 DM GG/RG RMOT.
2186390	Stratos MAXO-Z 32/0,5-12 RMOT.	2176071	TOP-Z80/10 DM GG/RG RMOT.from 03/2017
2186391	Stratos MAXO-Z 40/0,5-8 RMOT.		
2186392	Stratos MAXO-Z 40/0,5-12 RMOT.		
2186393	Stratos MAXO-Z 50/0,5-9 RMOT.		
2186394	Stratos MAXO-Z 65/0,5-12 RMOT.		

RMOT Head Replacement Kits

Heating (Glandless Pumps)

Stratos	
Article Number	Description
2119570	STRATOS 25/1-4 RMOT.
2095080	STRATOS 25/1-6 RMOT.CAN
2095081	STRATOS 25/1-8 RMOT.CAN
2119571	STRATOS 25/1-10 RMOT.
2146520	STRATOS 25/1-12 RMOT.
2119572	STRATOS 30/1-4 RMOT.
2095082	STRATOS 30/1-6 RMOT.CAN
2095083	STRATOS 30(-D 32)/1-8 RMOT.CAN
2119573	STRATOS 30/1-10 RMOT.
2119574	STRATOS 32/1-10 RMOT.
2095084	STRATOS 30/1-12 RMOT.CAN
2095085	STRATOS /-D 32/1-12 RMOT.CAN
2095086	STRATOS 40/1-4 RMOT.CAN
2095087	STRATOS /-D 40/1-8 RMOT.CAN
2119575	STRATOS 40/1-10 RMOT.
2095088	STRATOS /-D 40/1-12 RMOT.CAN
2146337	STRATOS /-D 40/1-16 RMOT.
2151883	STRATOS 50/1-6 RMOT.
2095089	STRATOS /-D 50/1-8 RMOT.CAN
2095090	STRATOS /-D 50/1-9 RMOT.CAN
2119576	STRATOS 50/1-10 RMOT.
2095091	STRATOS /-D 50/1-12 RMOT.CAN
2146338	STRATOS /-D 50/1-16 RMOT.
2095092	STRATOS 65/1-9 RMOT.CAN
2163268	STRATOS /-D 65/1-12 RMOT (SW>=6.12)
2095093	STRATOS /-D 65/1-12 RMOT.CAN
2146339	STRATOS /-D 65/1-16 RMOT.
2163269	STRATOS /-D 80/1-6 RMOT.
2095094	STRATOS /-D 80/1-12 RMOT.CAN
2095095	STRATOS 100/1-12 RMOT.CAN
2151886	STRATOS 100/1-6 RMOT.

Stratos MAXO	
Article Number	Description
2186319	Stratos MAXO 25/0,5-4 RMOT.
2186320	Stratos MAXO 25/0,5-6 RMOT.
2186321	Stratos MAXO 25/0,5-8 RMOT.
2186322	Stratos MAXO 25/0,5-10 RMOT.
2186323	Stratos MAXO 25/0,5-12 RMOT.
2186324	Stratos MAXO 30/0,5-4 RMOT.
2186325	Stratos MAXO/-D 30/0,5-6 RMOT.
2186326	Stratos MAXO 30/0,5-8 RMOT.
2186327	Stratos MAXO/-D 30/0,5-10 RMOT.
2186328	Stratos MAXO 30/0,5-12 RMOT.
2186329	Stratos MAXO 30/0,5-14 RMOT.
2186330	Stratos MAXO/-D 32/0,5-8 RMOT.
2186331	Stratos MAXO 32/0,5-10 RMOT.
2186332	Stratos MAXO/-D 32/0,5-12 RMOT.
2186333	Stratos MAXO 32/0,5-16 RMOT.
2186334	Stratos MAXO 40/0,5-4 RMOT.
2186335	Stratos MAXO/-D 40/0,5-8 RMOT.
2186336	Stratos MAXO/-D 40/0,5-12 RMOT.
2186337	Stratos MAXO/-D 40/0,5-16 RMOT.
2186338	Stratos MAXO/-D 50/0,5-6 RMOT.
2186339	Stratos MAXO/-D 50/0,5-8 RMOT.
2186340	Stratos MAXO/-D 50/0,5-9 RMOT.
2186341	Stratos MAXO/-D 50/0,5-12 RMOT.
2186342	Stratos MAXO 50/0,5-14 RMOT.
2186343	Stratos MAXO/-D 50/0,5-16 RMOT.
2186344	Stratos MAXO/-D 65/0,5-6 RMOT.
2186345	Stratos MAXO 65/0,5-9 RMOT.
2186346	Stratos MAXO/-D 65/0,5-12 RMOT.
2186347	Stratos MAXO/-D 65/0,5-16 RMOT.
2186348	Stratos MAXO/-D 80/0,5-6 RMOT.
2186349	Stratos MAXO/-D 80/0,5-12 RMOT.
2186350	Stratos MAXO/-D 80/0,5-16 RMOT.
2186351	Stratos MAXO 100/0,5-6 RMOT.
2186352	Stratos MAXO 100/0,5-12 RMOT.

Yonos MAXO	
Article Number	Description
2146235	Yonos MAXO 25/0,5-7 RMOT.
2146236	Yonos MAXO 25/0,5-10 RMOT.
2146237	Yonos MAXO 25/0,5-12 RMOT.
2146238	Yonos MAXO 30(-D 32)/0,5-7 RMOT.
2146239	Yonos MAXO 30/0,5-10 RMOT.
2146240	Yonos MAXO 30/0,5-12 RMOT.
2146475	Yonos MAXO/-D 32/0,5-11 RMOT.
2146241	Yonos MAXO 40/0,5-4 RMOT.
2146242	Yonos MAXO /-D 40/0,5-8 RMOT.
2146243	Yonos MAXO/-D 40/0,5 12 RMOT.
2146244	Yonos MAXO /-D 40/0,5-16 RMOT.
2146245	Yonos MAXO 50/0,5-8 RMOT.
2146246	Yonos MAXO /-D 50/0,5-9 RMOT.
2146247	Yonos MAXO/-D 50/0,5-12 RMOT.
2146248	Yonos MAXO /-D 50/0,5-16 RMOT.
2146249	Yonos MAXO 65/0,5-9 RMOT.
2146250	Yonos MAXO /-D 65/0,5-12 RMOT.
2146251	Yonos MAXO /-D 65/0,5-16 RMOT.
2146252	Yonos MAXO /-D 80/0,5-6 RMOT.
2146253	Yonos MAXO /-D 80/0,5-12 RMOT.
2146254	Yonos MAXO 100/0,5-12 RMOT.


Stratos

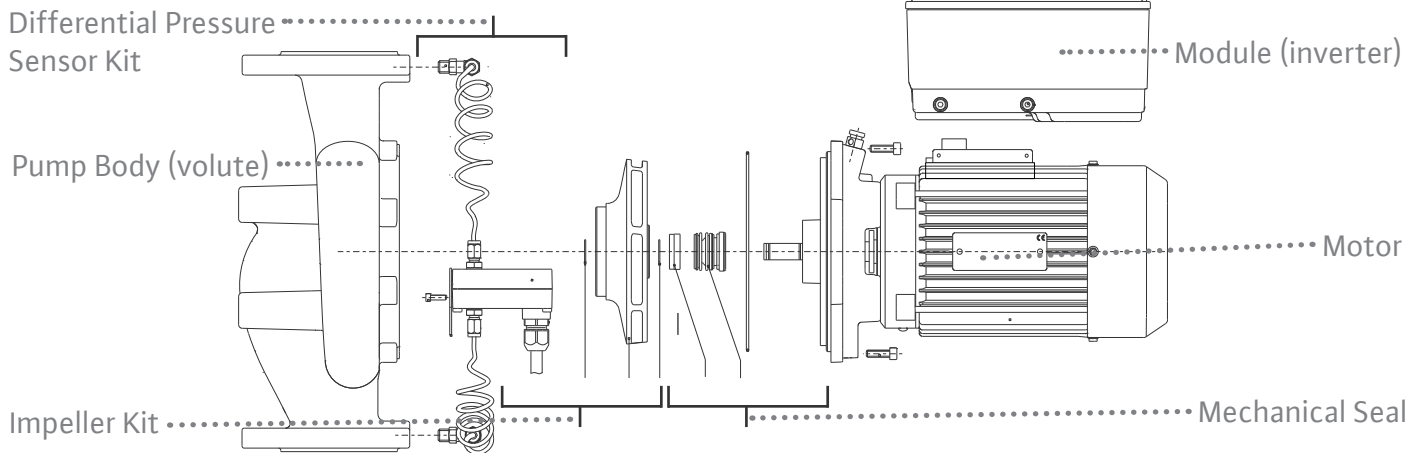
Stratos MAXO

Yonos MAXO

Glanded Pumps

Glanded in-line or end-suction circulation pump with flange connection, EPDM or Viton Mechanical seal.

The critical spares for a Glanded pump can include Differential Pressure Sensor Kit, Impeller Kit and Mechanical Seal Kit. These are all dependant on pump model.



- All part numbers to be obtained through the Spares Catalogue: <https://spareparts.wilo.com/international.php/m/catalogSelection/index>
- Bearing Kits dependant on Motor manufacturer, ATB, ELEC, etc**
- Fixed speed pumps have no inverter or transducer.

	Series	Drive Type
Single Pumps:	Wilo-Stratos GIGA B End Suction	Inverter Driven
	Wilo-VeroLine-IP-E	Inverter Driven
	Wilo-CronoLine-IL-E	Inverter Driven
	Wilo-CronoBloc-BL-E End Suction	Inverter Driven
	Wilo-VeroLine-IPL	Fixed Speed
	Wilo-CronoLine-IL	Fixed Speed
Double Pumps:	Wilo-Stratos GIGA D	Inverter Driven
	Wilo-VeroTwin-DP-E	Inverter Driven
	Wilo-CronoTwin-DL-E	Inverter Driven
	Wilo-VeroTwin-DPL	Fixed Speed
	Wilo-CronoTwin-DL	Fixed Speed

SITE ASSET LIST		
Article Number	Description	Qty*

Quantity 2 required for Double Headed pumps

Blank Flanges and Seals (See Price List for Key)

Blind Flange Kit	Set	Article Number
A	Blind flange P190 set	2040970
B	Blind flange P228 set	2040971
C	Blind flange P270 set	2042861
D	Blind flange P330 set	2052701
E	Blind flange P400 set	2052702
F	Blind flange P188 set	2023964
G	Blind flange P154 set	2023965
H	Blind flange P170 set	2023981
I	Blind flange P165-D112 set	2179210
J	Blind flange P165-D136 set	2179211
K	Blind flange P215-D136 set	2179212
L	Blind flange P215-D164 set	2179213

Mechanical Seal

GRD	Type	Standard EPDM version	S1 Viton version
1	IPn, DPn, Bn	120613693	-
2	IPn, DPn, Bn	120613796	-
3	IPL, DPL, IP-E, DP-E	122097593	2062360
4	IL, DL, BL, IL-E, DL-E, IL-E...BF, BL-E	2026901	2064430
5	IL, DL, BL, IL-E, DL-E, IL-E...BF, BL-E	2026902	2064431
6	IL, DL, BL, IL-E, DL-E, IL-E...BF, BL-E	2026903	2064432
7	IL, DL, BL, IL-E, DL-E, IL-E...BF, BL-E	2052335	2064433
8	IL, DL, BL, IL-E, DL-E, IL-E...BF, BL-E	2052336	2064434
9	IL, DL, BL, IL-E, DL-E, IL-E...BF, BL-E	2056452	2064435
10	IPL 25..., IPL 30...	2087788	2085857
11	Stratos GIGA , Stratos GIGA-D, Stratos-GIGA-B	2125211	2132518

Motor Examples

SIEMENS

SIEMENS		3-MOT.1 LA9133-4KA61-Z		IE2 CE	
Made in Czech Rep.		UC 1009/000001101			
62,1kg IMB3		132M IP55		TH.CL.155(F) AMB 40°	
○ 50 Hz	400/690V Y/D	60 Hz	460V D	○	
7,5 kW	7 A	7,5 kW	8,7A		
cos ϕ 0,84	1455/min	PF 0,82	1760 RPM		
IE2 - 88,7%		IE2 - 90,5%			
IEC / EN 60034					

TEE

TEE		ELECTRIC MOTORS		ARCELIK A.S. - TURKEY		IE2	
2089004		3-Mot Q2E FS 80M2D80-F188 lcl F		S1		Kg 13	
N° 0001		IP55		IM-		IEC 60034	
04012011						VDE 0530	
V	Hz	min ⁻¹	kW	cos ϕ	A	η	Load Efficiency
230/400	50	2885	1.1	0.83	4.2 / 2.4	IE3-79.6%	%50 76,1%
265/460	60	3460	1.27	0.83	4.0 / 2.3		%75 79,1%

ATB

ATB		IE2 CE			
3~Mot. AF132S/2F-11S+E2/0509		IE2-88,1%			
S1	132S IMV1	224039411-1	522058X		
IP 55	Th. CI.155(F)	SCHWINGGROESSENSTUFE B			
○ WILO NR.2064705 ○					
kW	V	Hz	A	1/min	cos ϕ
7,5	Y/D 690/400	50	7,9/3,7	2890	0,90
7,5	D 460	60	11,8	3510	0,89
Made in Germany		50 kg	EN 60034		

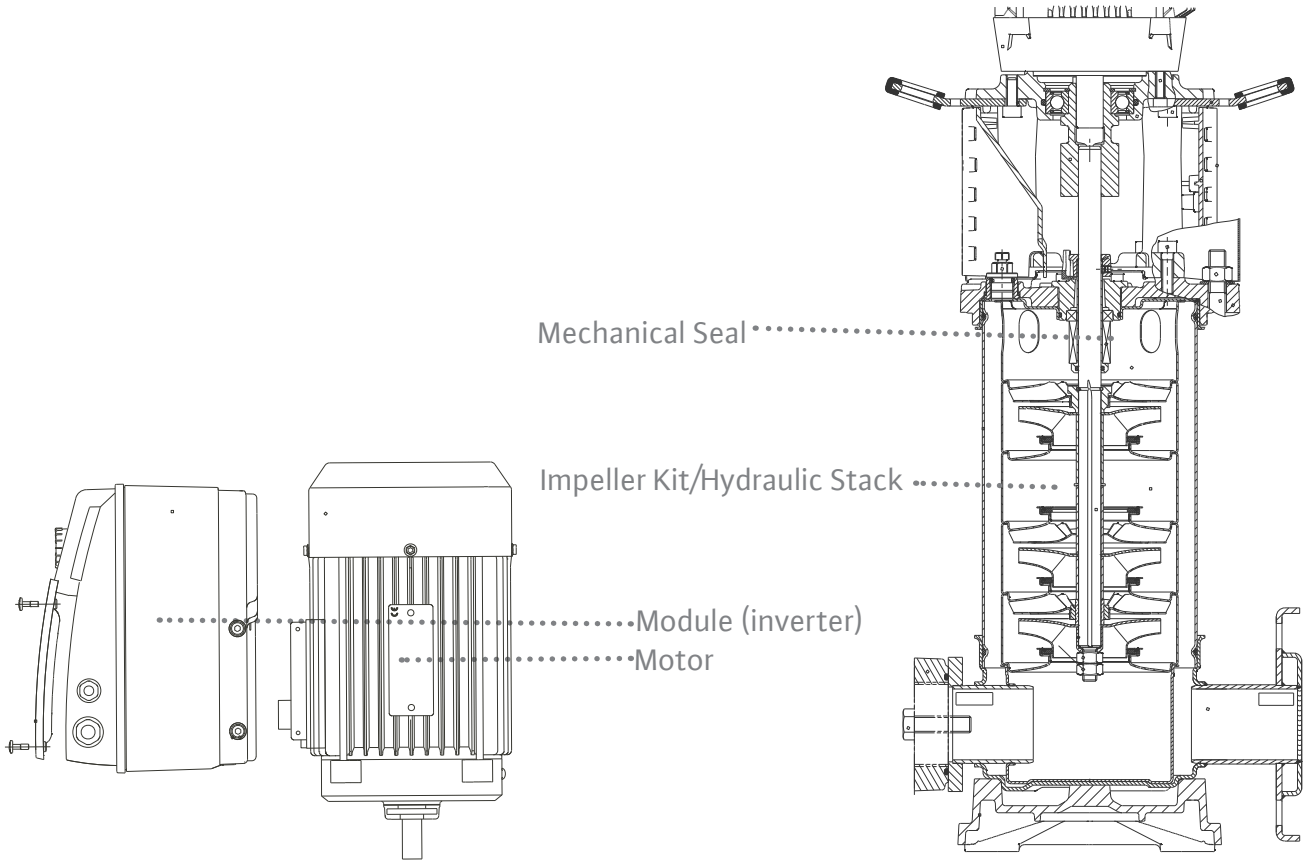
ELEC

3~Induction Motor		CE	
Made by WILO Group			
3501437	W080090-2-F188	0902.001	
Class F	S1	IP55	13.5kg EN60034
50Hz	1.10kW	2850min ⁻¹	60Hz 1.29kW 3435min ⁻¹
Y/D	230/400V	4.02/2.32A	Y 440-480V 2.40-2.32A
cos ϕ =0.82	IE2-81.5%		cos ϕ =0.85 IE2-82.5%

Booster and Multistage Pumps

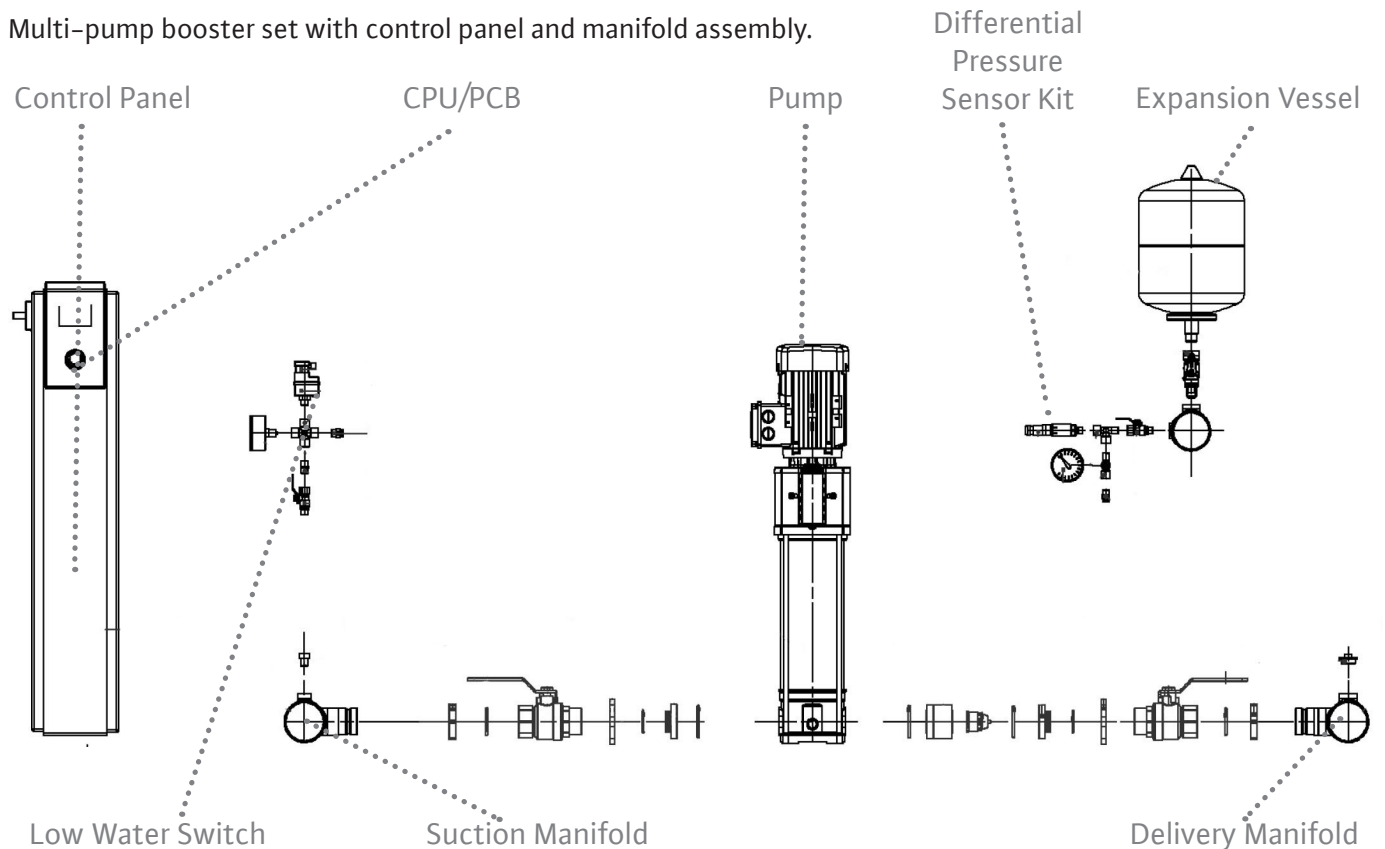
Multistage Pump

Non-self-priming or self-priming multistage, in-line or end-suction pump.



Booster Set

Multi-pump booster set with control panel and manifold assembly.



- All part numbers to be obtained through the Spares Catalogue:
<https://spareparts.wilo.com/international.php/m/catalogSelection/index>
- Bearing Kits dependant on Motor manufacturer, ATB, ELEC, etc**
- Fixed speed pumps have no inverter or transducer.

SITE ASSET LIST		
Article Number	Description	Qty*

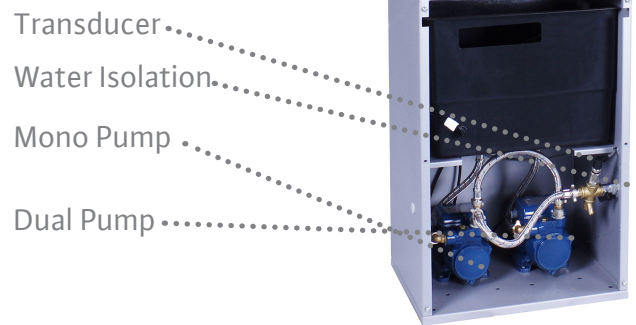
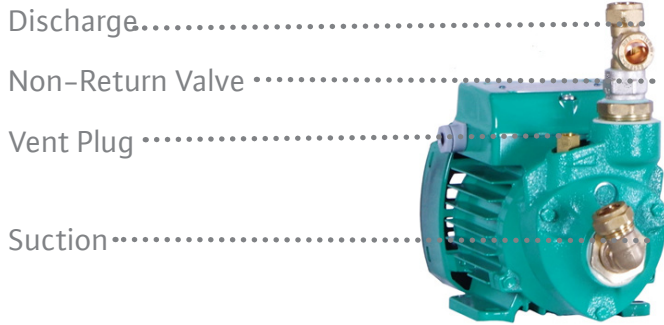
Booster Set Spares	
Article Number	Description
2045914	Replacement 8lt Pressure vessel 1/2" BSPM
29991845	Low inlet pressure switch 15-250 mBar - 300mBar
2085909	Replacement pressure transducer 0-16bar 1/4" BSPM
2087872	Replacement pressure transducer 0-25bar 1/2" BSPM
SiBoost	
4185257	SiBoost PCB - SCe Panel
VR Panel Spares	
2046306	VR Main Board PCB
2100513	VR BOARD AC FROM01/2009 VP. (Plugin) PCB

Booster Sets
COR- _ MHI ___/VR
COR- _ MHIE ___/VR
COR- _ MHI ___/SCe_EM
COR- _ MHIE ___/SCe_DM
Wilo-SiBoost Smart Helix VE
Wilo-SiBoost Smart (FC) Helix V
Wilo-SiBoost Smart Helix EXCEL

Single Pumps
Wilo-Economy MHI
Wilo-Economy MHIE
Wilo-Multivert MVI
Wilo-Multivert MVIE
Wilo-Helix VE
Wilo-Helix V
Wilo-Helix EXCEL

Pressurisation Units

Packaged pressure keeping unit. Available to suit every installation.



Pressurisation Unit Spare Parts

Article Number	Description	Qty	P130-WM	P230-WM	P135	P235	P160	P260	P180	P280
2819870	Transducer Kit	1	X	X	X	X	X	X	X	X
29991882	Main/Display PCB	1	X	X	X	X	X	X	X	X
2819631	Float switch	1	X	X	X	X	X	X	X	X
2819691	Inlet Ball Valve		X	X						
2819635	Inlet Ball Valve	1			X	X	X	X	X	X
2818054	1/2" non return valve	1			X	X	X	X	X	X
2819557	Flexible Hose	1			X	X	X	X	X	X
2819635	Inlet Ball Balve	1			X	X	X	X	X	X
Pump (model name required)										
2819678	Pump assembly	1	X	X						
2819564	Mono pump assembly Left - 35m	1			X	X				
2819565	Dual pump assembly Right- 35m	1				X				
2819603	Mono pump assembly Left - 60m	1					X	X		
2819604	Dual pump assembly Right - 60m	1						X		
2819555	Mono pump assembly Left - 80m	1							X	X
2819556	Dual pump assembly Right - 80m	1								X

SITE ASSET LIST

Article Number	Description	Qty*

Pumps include cable and all fitting for hoses to connect to the pump

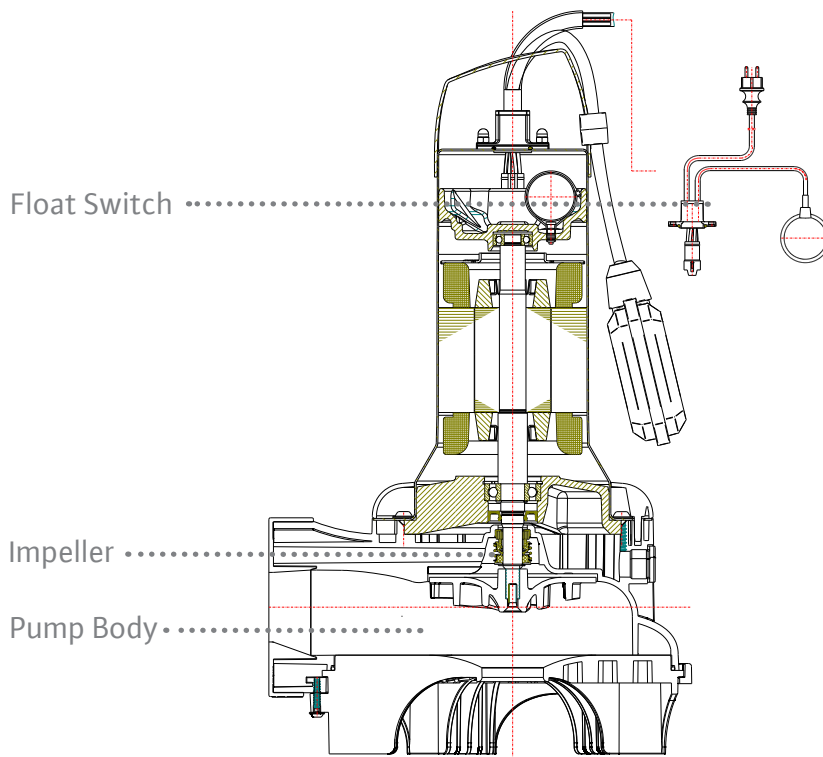
Article Number	Description
2819501	P130-WM Wall Mount Comfort Series c/w 1 pump capable of 3bar head
2819502	P230-WM Wall Mount Comfort Series c/w 2 pump capable of 3bar head
2819492	P135 Comfort Pressurisation Unit Series c/w 1 pump capable of 3.5bar head
2819493	P160 Comfort Pressurisation Unit Series c/w 1 pump capable of 6bar head
2819494	P180 Comfort Pressurisation Unit Series c/w 1 pump capable of 8bar head
2819495	P235 Comfort Pressurisation Unit Series c/w 2 pumps capable of 3.5bar head
2819496	P260 Comfort Pressurisation Unit Series c/w 2 pumps capable of 6bar head
2819497	P280 Comfort Pressurisation Unit Series c/w 2 pumps capable of 8bar head

Submersible Pumps

Submersible clean water or sewage pump for stationary and portable wet well installation.

The critical spares for the Submersible pumps are supplied as repair kits. The repair kits include:

- Repair set 1 - O-rings and seals
- Repair set 2 - O-rings, seals, mech. Shaft seal and motor bearing
- Repair set 3 - O-rings, seals and mech. shaft seals



Submersible Pumps
Wilo-Drain TM/TMR/TMW 32
Wilo-Drain TS/TSW 32
Wilo-Drain TS 40-65
Wilo-Rexa CUT
Wilo-Drain MTC
Wilo-Drain TC 40
Wilo-Drain STS 40
Wilo-Rexa UNI
Wilo-Rexa PRO
Wilo-RexaBloc RE
Wilo-EMU FA (standard/variant)

SITE ASSET LIST		
Article Number	Description	Qty*

*Mechanical accessories – please visit: <https://wilo.com/gb/en/Products-and-expertise/Wilo-Select-4/>



WILO UK
Second Avenue, Centrum 100
Burton upon Trent, Staffordshire
DE14 2WJ
T+44 (0)1283 523000
spareparts.uk@wilo.com
www.wilo.co.uk