

# Submittal Data Sheet

## Wilco Helix Complete- Vertical Multistage Pumps

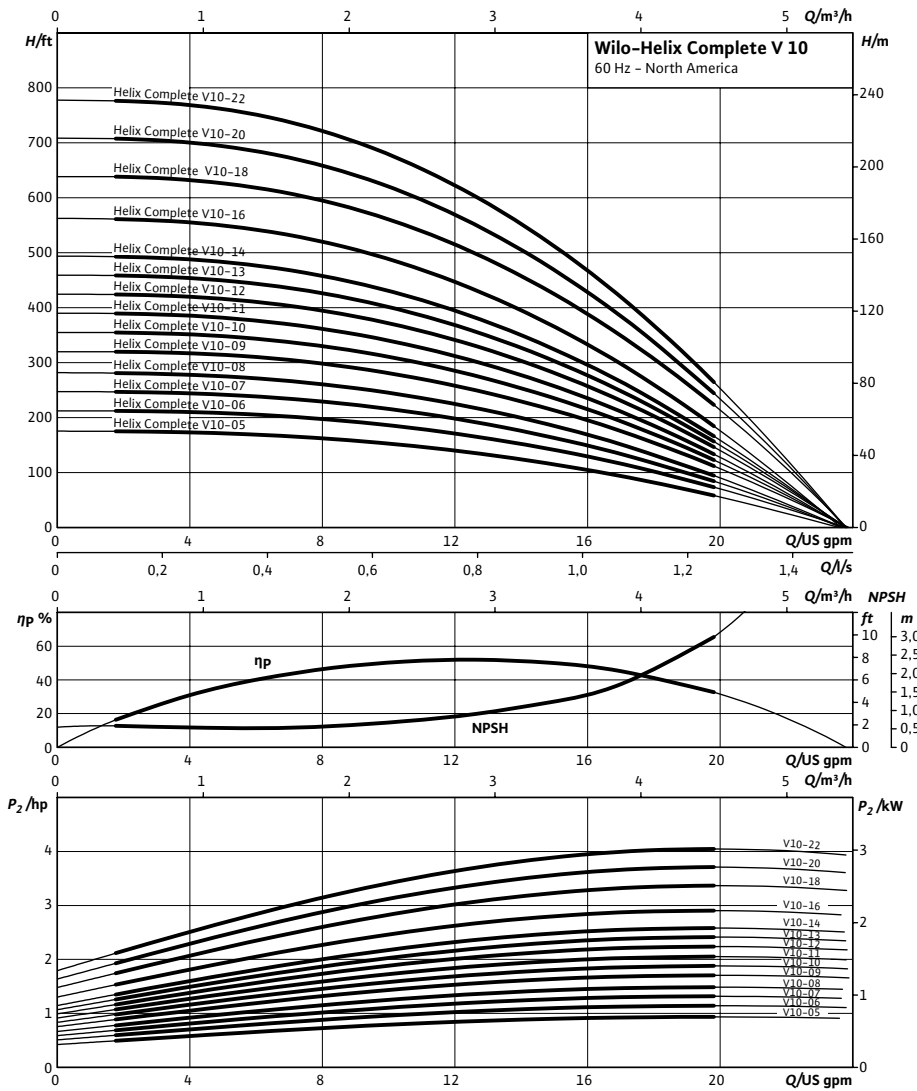


### Wilco Helix Complete V 10 EFC (304 SS - EPDM)



Project:	
Engineer:	
Contractor:	
Submitted By:	Date:
Approved By:	Date:

Tag #	Model #	Flow	Head	HP	Cycle	Phase	Voltage	RPM
	Helix Complete V10 EFC				60HZ			



#### Applications

- Water supply & pressure boosting
- Industrial circulation systems
- Cooling water circulation systems
- Process water
- Washing systems
- Irrigation

#### Materials of Construction

Pump volute, flanges, impeller, stage housing, diffusers	Stainless steel AISI 304
Shaft	Stainless steel AISI 304 or AISI 316LN (Depending on version)
Shaft sleeve	Stainless Steel AISI 316L
Baseplate & lantern	Cast Iron Cataphoresis Coated ASTM A 48 Class 35/40
O-ring	EPDM (FKM upon request)
Jacket pipe	Stainless Steel AISI 304

#### Technical Data

Certification	NSF 61 Approved (EPDM)
Liquid Temp Range	-4°F to +248°F
Power Supply	3- 208-230v, 3- 460v, 3- 575v
Ambient temperature	+5°F to +104°F
Flange Connection	ANSI CLASS 300
Max Operating Pressure	232/363 PSI
Protection Class	IP 55

Approval Stamp

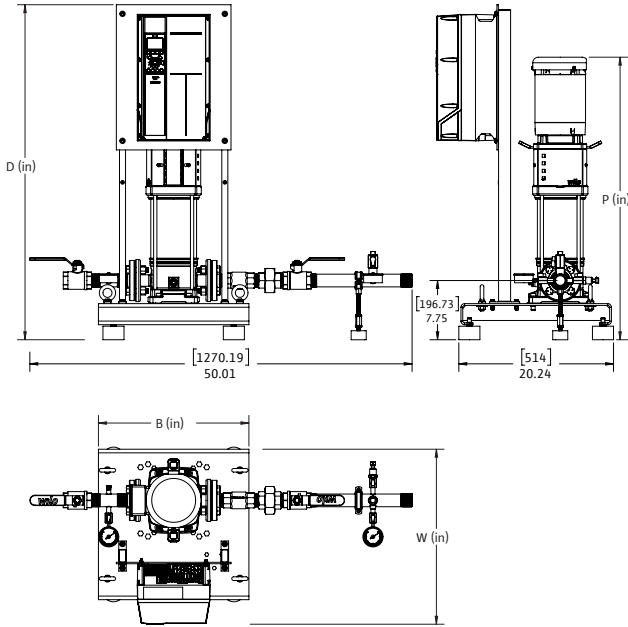
# Submittal Data Sheet

## Wilo Helix Complete – Vertical Multistage Pumps



### Dimensions, Weights & Electrical Data

#### 1~230V



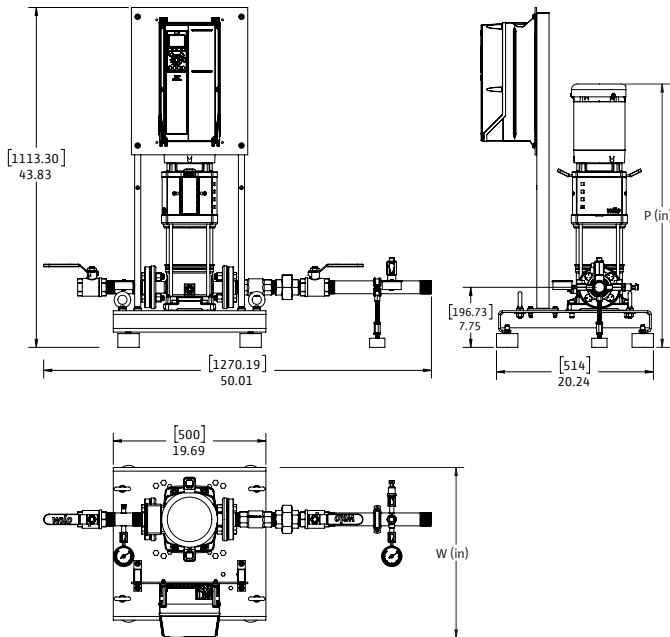
#### Dimensions and Weights

Model	P	B	F	W	D	Weight lbs
	Dimensions					
	in	in	in	in	in	
V10-05-1 EFC	34	20	20	23	44	200
V10-06-1	35	20	20	23	44	219
V10-07-1	36	20	20	23	44	221
V10-08-1	37	20	20	23	44	223
V10-09-1	39	32	32	32	68	341
V10-10-1	40	32	32	32	68	335
V10-11-1	41	32	32	32	68	337
V10-12-1	42	32	32	32	68	351
V10-13-1	44	32	32	32	68	354
V10-14-1	44	32	32	32	68	355
V10-16-1	46	32	32	32	68	357
V10-18-1	52	32	32	32	68	389
V10-20-1	54	32	32	32	68	391
V10-22-1	58	32	32	32	68	393

#### TEFC Motor Data

1~230V	
P2	FLA
[HP]	[A]
1	3.0-2.8
1.5	4.0-3.8
1.5	4.0-3.8
1.5	4.0-3.8
2	5.3-5.0
2	5.3-5.0
2	5.3-5.0
3	7.9-7.2
3	7.9-7.2
3	7.9-7.2
3	7.9-7.2
5	12-11.8
5	12-11.8
5	12-11.8

#### 3~208-230V



#### Dimensions and Weights

Model	P	B	F	W	D	Weight lbs
	Dimensions					
	in	in	in	in	in	
V10-05-1 EFC	34	20	20	22	44	209
V10-06-1	35	20	20	22	44	219
V10-07-1	36	20	20	22	44	221
V10-08-1	37	20	20	22	44	223
V10-09-1	39	20	20	22	44	231
V10-10-1	40	20	20	22	44	225
V10-11-1	41	20	20	22	44	227
V10-12-1	42	20	20	22	44	241
V10-13-1	44	20	20	22	44	244
V10-14-1	44	20	20	22	44	245
V10-16-1	46	20	20	22	44	247
V10-18-1	52	20	20	23	44	279
V10-20-1	54	20	20	23	44	281
V10-22-1	58	20	20	23	44	283

#### TEFC Motor Data

3~208-230V	
P2	FLA
[HP]	[A]
1	3.0-2.8
1.5	4.0-3.8
1.5	4.0-3.8
1.5	4.0-3.8
2	5.3-5.0
2	5.3-5.0
2	5.3-5.0
3	7.9-7.2
3	7.9-7.2
3	7.9-7.2
3	7.9-7.2
5	12-11.8
5	12-11.8
5	12-11.8

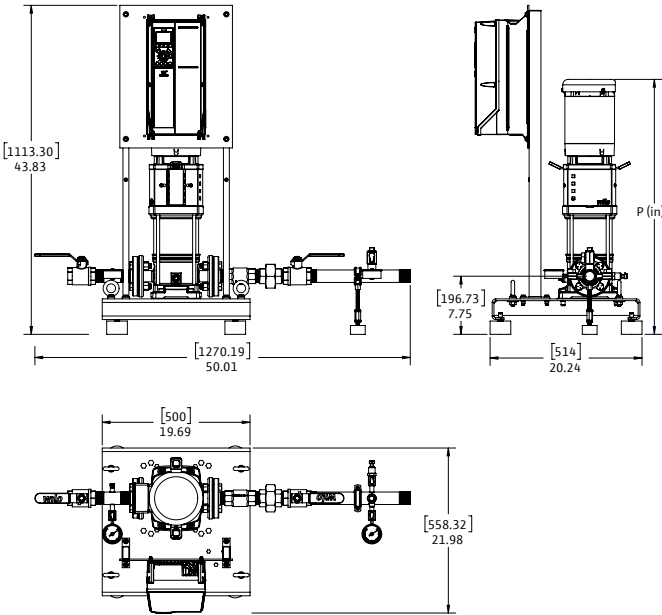
# Submittal Data Sheet

## Wilo Helix Complete – Vertical Multistage Pumps



### Dimensions, Weights & Electrical Data

#### 3~460V



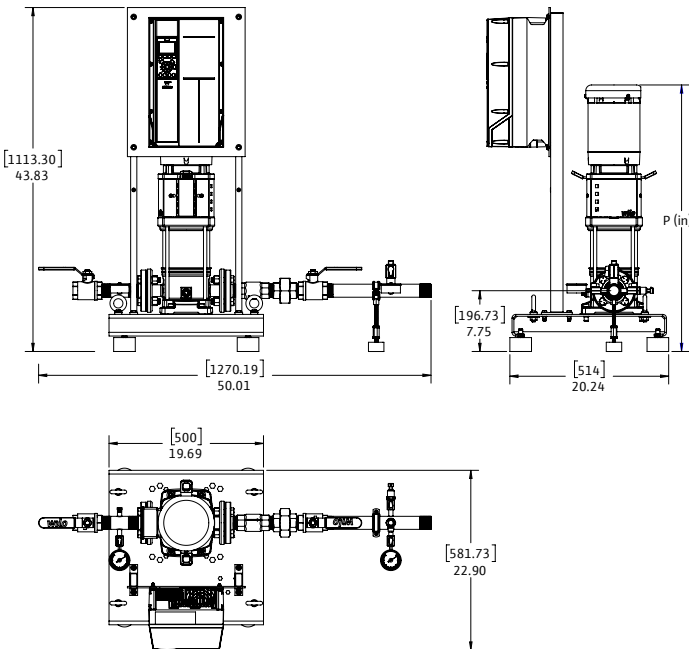
#### Dimensions and Weights

Model	P	B	F	W	D	Weight lbs
	in	in	in	in	in	
V10-05-1 EFC	34	20	20	22	44	209
V10-06-1	35	20	20	22	44	219
V10-07-1	36	20	20	22	44	221
V10-08-1	37	20	20	22	44	223
V10-09-1	39	20	20	22	44	231
V10-10-1	40	20	20	22	44	225
V10-11-1	41	20	20	22	44	227
V10-12-1	42	20	20	22	44	241
V10-13-1	44	20	20	22	44	244
V10-14-1	44	20	20	22	44	245
V10-16-1	46	20	20	22	44	247
V10-18-1	52	20	20	23	44	279
V10-20-1	54	20	20	23	44	281
V10-22-1	58	20	20	23	44	283

#### TEFC Motor Data

3~460V	
P2	FLA
[HP]	[A]
1	1.40
1.5	1.87
1.5	1.87
1.5	1.87
2	2.50
2	2.50
2	2.50
3	3.60
3	3.60
3	3.60
3	3.60
5	5.90
5	5.90
5	5.90

#### 3~575V



#### Dimensions and Weights

Model	P	B	F	W	D	Weight lbs
	in	in	in	in	in	
V10-05-1 EFC	34	20	20	23	44	209
V10-06-1	35	20	20	23	44	219
V10-07-1	36	20	20	23	44	221
V10-08-1	37	20	20	23	44	223
V10-09-1	39	20	20	23	44	231
V10-10-1	40	20	20	23	44	225
V10-11-1	41	20	20	23	44	227
V10-12-1	42	20	20	23	44	241
V10-13-1	44	20	20	23	44	244
V10-14-1	44	20	20	23	44	245
V10-16-1	46	20	20	23	44	247
V10-18-1	52	20	20	23	44	279
V10-20-1	54	20	20	23	44	281
V10-22-1	58	20	20	23	44	283

#### TEFC Motor Data

3~575V	
P2	FLA
[HP]	[A]
1	1.10
1.5	1.50
1.5	1.50
1.5	1.50
2	2.00
2	2.00
2	2.00
3	2.90
3	2.90
3	2.90
3	2.90
5	4.70
5	4.70
5	4.70

# Submittal Data Sheet

## Wilo Helix Complete- Vertical Multistage Pumps

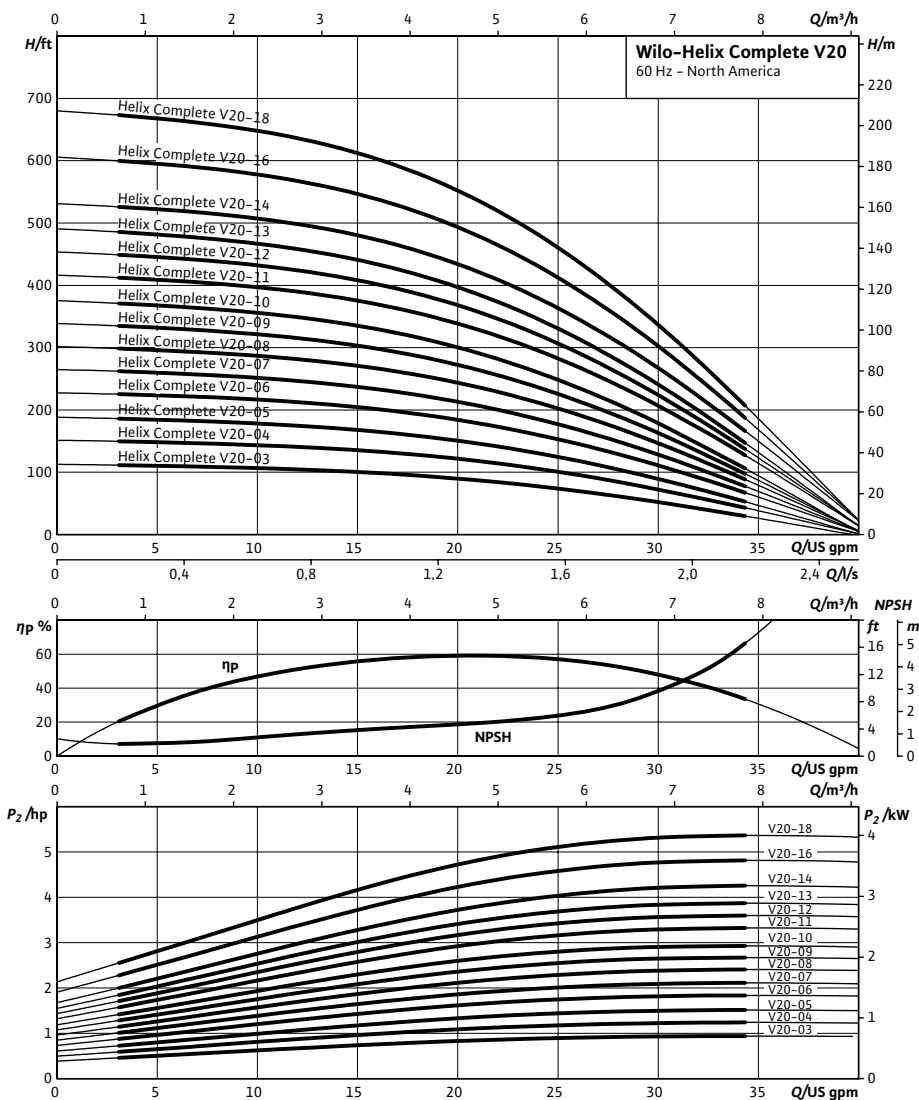


### Wilo Helix Complete V 20 EFC (304 SS - EPDM)



Project:	
Engineer:	
Contractor:	
Submitted By:	Date:
Approved By:	Date:

Tag #	Model #	Flow	Head	HP	Cycle	Phase	Voltage	RPM
	Helix Complete V20 EFC				60HZ			



Applications	
• Water supply & pressure boosting	• Industrial circulation systems
• Cooling water circulation systems	• Process water
• Washing systems	• Irrigation

Materials of Construction	
Pump volute, flanges, impeller, stage housing, diffusers	Stainless steel AISI 304
Shaft	Stainless steel AISI 304 or AISI 316LN (Depending on version)
Shaft sleeve	Stainless Steel AISI 316L
Baseplate & lantern	Cast Iron Cataphoresis Coated ASTM A 48 Class 35/40
O-ring	EPDM (FKM upon request)
Jacket pipe	Stainless Steel AISI 304

Technical Data	
Certification	NSF 61 Approved (EPDM)
Liquid Temp Range	-4°F to +248°F
Power Supply	3- 208-230v, 3- 460v, 3- 575v
Ambient temperature	+5°F to +104°F
Flange Connection	ANSI CLASS 300
Max Operating Pressure	232/363 PSI
Protection Class	IP 55

Approval Stamp

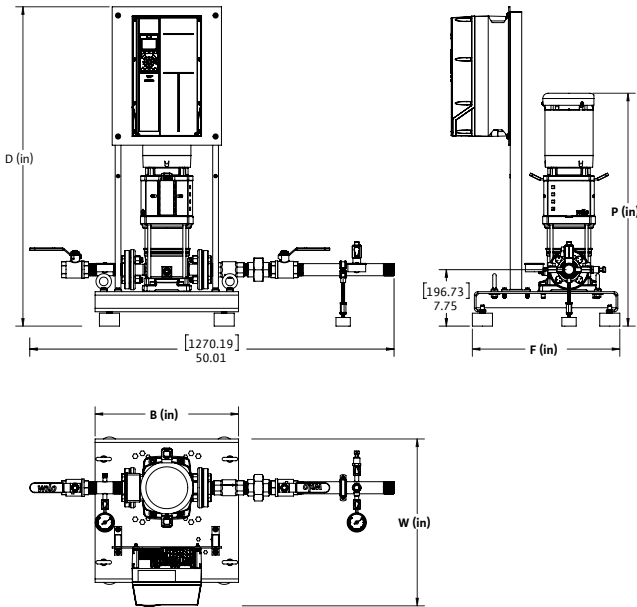
# Submittal Data Sheet

Wilo Helix Complete – Vertical Multistage Pumps



## Dimensions, Weights & Electrical Data

### 1~230V



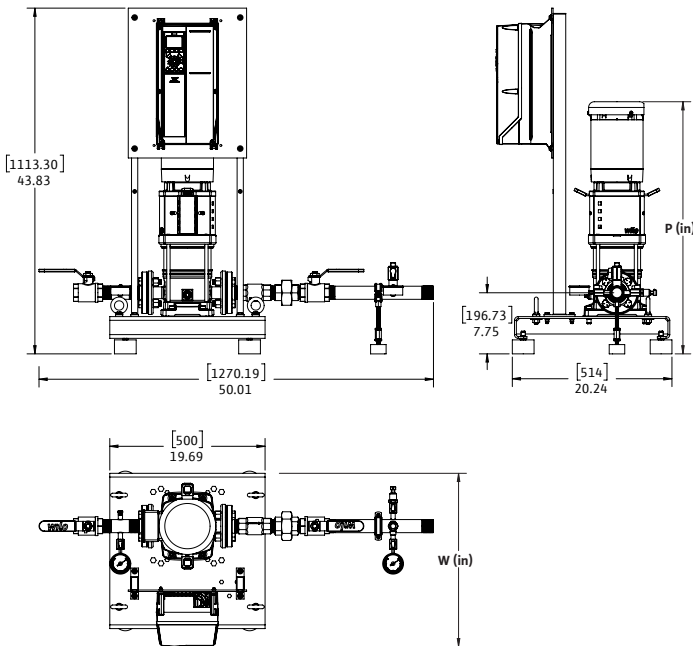
#### Dimensions and Weights

Model	P	B	F	W	D	Weight lbs	TEFC Motor Data		
	Dimensions						Weight	1-230V	
	in	in	in	in	in			P2 [HP]	FLA [A]
V20-03-1 EFC	32	20	20	23	44	204	1	3.0-2.8	
V20-04-1	33	20	20	23	44	221	1.5	4.0-3.8	
V20-05-1	34	20	20	23	44	223	1.5	4.0-3.8	
V20-06-1	36	32	32	32	68	336	2	5.3-5.0	
V20-07-1	37	32	32	32	68	357	2	5.3-5.0	
V20-08-1	39	32	32	32	68	360	3	7.9-7.2	
V20-09-1	40	32	32	32	68	361	3	7.9-7.2	
V20-10-1	41	32	32	32	68	358	3	7.9-7.2	
V20-11-1	45	32	32	32	68	381	5	12-11.8	
V20-12-1	46	32	32	32	68	383	5	12-11.8	
V20-13-1	48	32	32	32	68	388	5	12-11.8	
V20-14-1	48	32	32	32	68	390	5	12-11.8	
V20-16-1	50	32	32	32	68	395	5	12-11.8	
V20-18-1	52	32	32	32	68	400	5	12-11.8	

#### TEFC Motor Data

1-230V	
P2 [HP]	FLA [A]
1	3.0-2.8
1.5	4.0-3.8
1.5	4.0-3.8
2	5.3-5.0
2	5.3-5.0
3	7.9-7.2
3	7.9-7.2
3	7.9-7.2
5	12-11.8
5	12-11.8
5	12-11.8
5	12-11.8
5	12-11.8
5	12-11.8

### 3~208-230V



#### Dimensions and Weights

Model	P	B	F	W	D	Weight lbs	TEFC Motor Data		
	Dimensions						Weight	3-208-230V	
	in	in	in	in	in			P2 [HP]	FLA [A]
V20-03-1 EFC	32	20	20	22	44	213	1	3.0-2.8	
V20-04-1	33	20	20	22	44	221	1.5	4.0-3.8	
V20-05-1	34	20	20	22	44	223	1.5	4.0-3.8	
V20-06-1	36	20	20	22	44	226	2	5.3-5.0	
V20-07-1	37	20	20	22	44	247	2	5.3-5.0	
V20-08-1	39	20	20	22	44	250	3	7.9-7.2	
V20-09-1	40	20	20	22	44	251	3	7.9-7.2	
V20-10-1	41	20	20	22	44	248	3	7.9-7.2	
V20-11-1	45	20	20	23	44	271	5	12-11.8	
V20-12-1	46	20	20	23	44	273	5	12-11.8	
V20-13-1	48	20	20	23	44	278	5	12-11.8	
V20-14-1	48	20	20	23	44	280	5	12-11.8	
V20-16-1	50	20	20	23	44	285	5	12-11.8	
V20-18-1	52	20	20	23	44	290	5	12-11.8	

#### TEFC Motor Data

3-208-230V	
P2 [HP]	FLA [A]
1	3.0-2.8
1.5	4.0-3.8
1.5	4.0-3.8
2	5.3-5.0
2	5.3-5.0
3	7.9-7.2
3	7.9-7.2
3	7.9-7.2
5	12-11.8
5	12-11.8
5	12-11.8
5	12-11.8
5	12-11.8
5	12-11.8

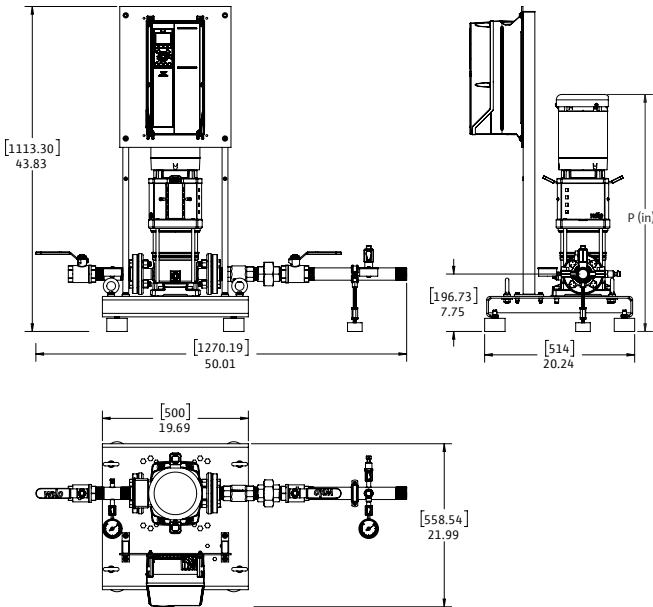
# Submittal Data Sheet

## Wilo Helix Complete – Vertical Multistage Pumps



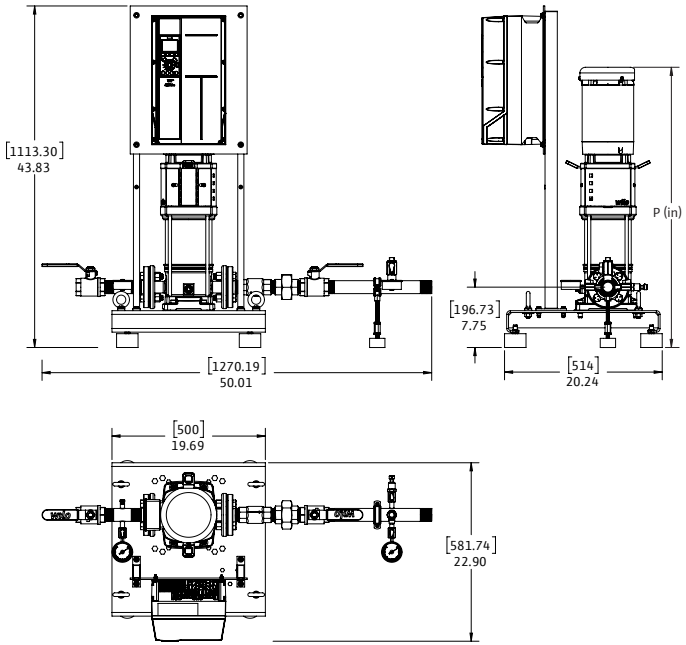
### Dimensions, Weights & Electrical Data

#### 3~460V



Dimensions and Weights							TEFC Motor Data	
Model	P	B	F	W	D	Weight lbs	3~460V	
	Dimensions in						P2 [HP]	
V20-03-1 EFC	32	20	20	22	44	213	1	1.40
V20-04-1	33	20	20	22	44	221	1.5	1.87
V20-05-1	34	20	20	22	44	223	1.5	1.87
V20-06-1	36	20	20	22	44	226	2	2.50
V20-07-1	37	20	20	22	44	247	2	2.50
V20-08-1	39	20	20	22	44	250	3	3.60
V20-09-1	40	20	20	22	44	251	3	3.60
V20-10-1	41	20	20	22	44	248	3	3.60
V20-11-1	45	20	20	22	44	271	5	5.90
V20-12-1	46	20	20	22	44	273	5	5.90
V20-13-1	48	20	20	22	44	278	5	5.90
V20-14-1	48	20	20	22	44	280	5	5.90
V20-16-1	50	20	20	22	44	285	5	5.90
V20-18-1	52	20	20	22	44	290	5	5.90

#### 3~575V



Dimensions and Weights							TEFC Motor Data	
Model	P	B	F	W	D	Weight lbs	3~575V	
	Dimensions in						P2 [HP]	
V20-03-1 EFC	32	20	20	23	44	213	1	1.10
V20-04-1	33	20	20	23	44	221	1.5	1.50
V20-05-1	34	20	20	23	44	223	1.5	1.50
V20-06-1	36	20	20	23	44	226	2	2.00
V20-07-1	37	20	20	23	44	247	2	2.00
V20-08-1	39	20	20	23	44	250	3	2.90
V20-09-1	40	20	20	23	44	251	3	2.90
V20-10-1	41	20	20	23	44	248	3	2.90
V20-11-1	45	20	20	23	44	271	5	4.70
V20-12-1	46	20	20	23	44	273	5	4.70
V20-13-1	48	20	20	23	44	278	5	4.70
V20-14-1	48	20	20	23	44	280	5	4.70
V20-16-1	50	20	20	23	44	285	5	4.70
V20-18-1	52	20	20	23	44	290	5	4.70

# Submittal Data Sheet

## Wilo Helix Complete- Vertical Multistage Pumps

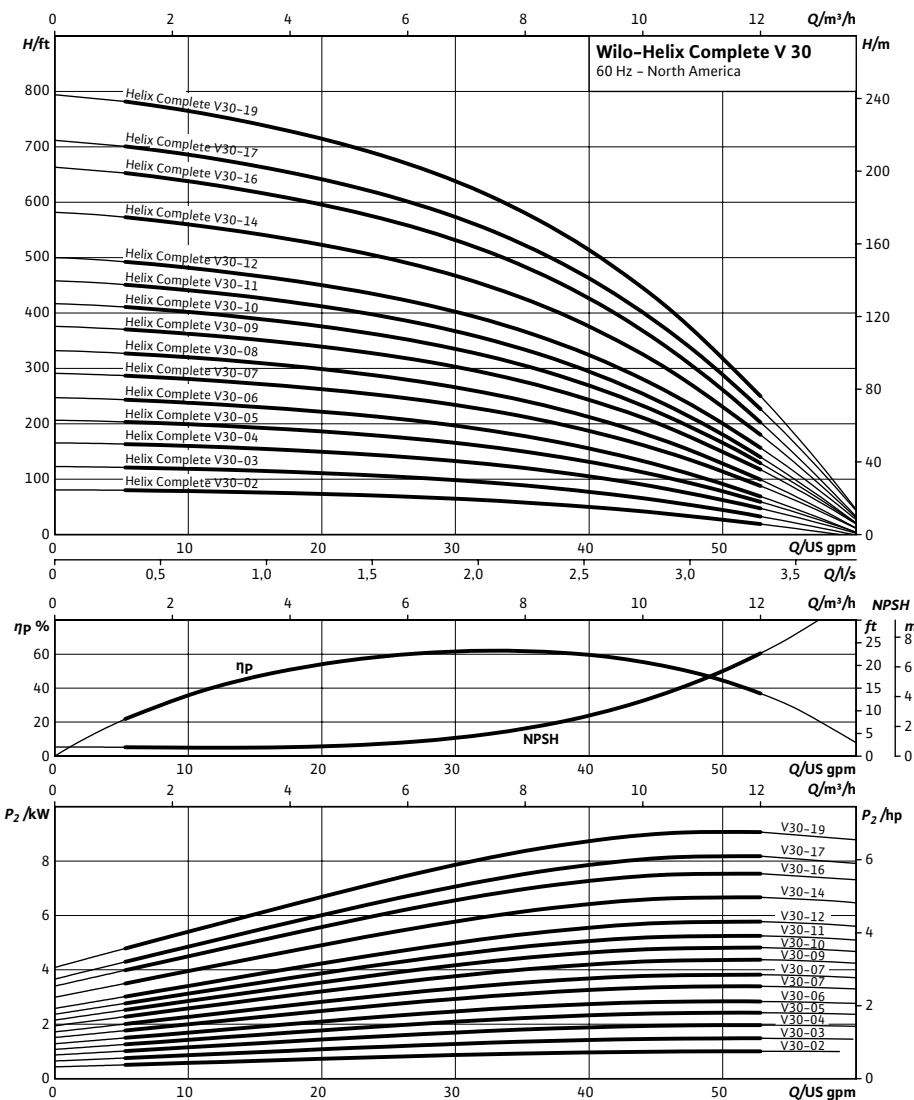


### Wilo Helix Complete V 30 EFC (304 SS - EPDM)



Project:	
Engineer:	
Contractor:	
Submitted By:	Date:
Approved By:	Date:

Tag #	Model #	Flow	Head	HP	Cycle	Phase	Voltage	RPM
	Helix Complete V30 EFC				60HZ			



Applications	
• Water supply & pressure boosting	• Industrial circulation systems
• Cooling water circulation systems	• Process water
• Washing systems	• Irrigation

Materials of Construction	
Pump volute, flanges, impeller, stage housing, diffusers	Stainless steel AISI 304
Shaft	Stainless steel AISI 304 or AISI 316LN (Depending on version)
Shaft sleeve	Stainless Steel AISI 316L
Baseplate & lantern	Cast Iron Cataphoresis Coated ASTM A 48 Class 35/40
O-ring	EPDM (FKM upon request)
Jacket pipe	Stainless Steel AISI 304

Technical Data	
Certification	NSF 61 Approved (EPDM)
Liquid Temp Range	-4°F to +248°F
Power Supply	3- 208-230v, 3- 460v, 3- 575v
Ambient temperature	+5°F to +104°F
Flange Connection	ANSI CLASS 300
Max Operating Pressure	232/363 PSI
Protection Class	IP 55

Approval Stamp

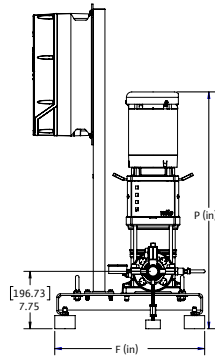
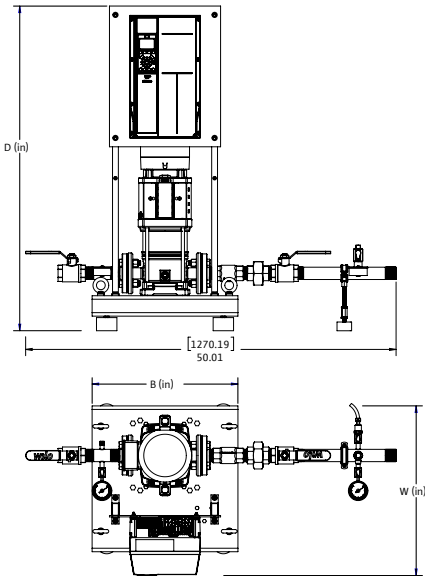
# Submittal Data Sheet

Wilo Helix Complete – Vertical Multistage Pumps



## Dimensions, Weights & Electrical Data

### 1~230V



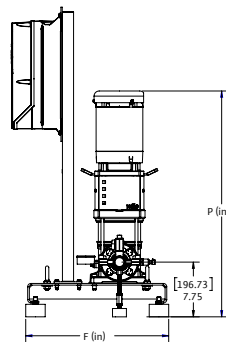
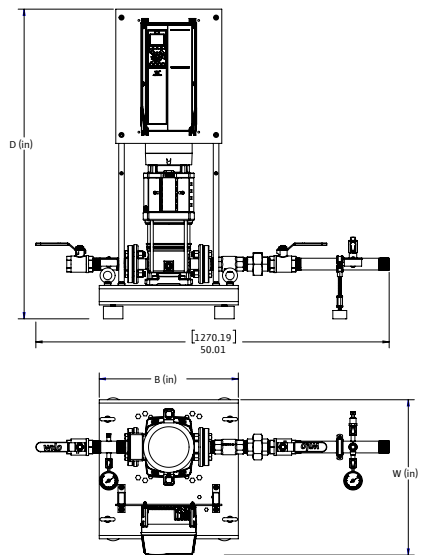
#### Dimensions and Weights

Model	P	B	F	W	D	Weight lbs
	Dimensions					
	in	in	in	in	in	
V30-02-1 EFC	32	20	20	23	44	210
V30-03-1	34	20	20	23	44	223
V30-04-1	36	32	32	32	68	337
V30-05-1	39	32	32	32	68	351
V30-06-1	40	32	32	32	68	356
V30-07-1	45	32	32	32	68	376
V30-08-1	46	32	32	32	68	379
V30-09-1	48	32	32	32	68	377
V30-10-1	49	32	32	32	68	380
V30-11-1	52	32	32	32	68	383
V30-12-1	57	32	32	32	68	423
V30-14-1	60	32	32	32	68	427
V30-16-1	63	32	32	32	68	431
V30-17-1	66	32	32	32	68	515
V30-19-1	69	32	32	32	68	521

#### TEFC Motor Data

1~230V	
P2	FLA
[HP]	[A]
1	3.0-2.8
1.5	4.0-3.8
2	5.3-5.0
3	7.9-7.2
3	7.9-7.2
5	12-11.8
5	12-11.8
5	12-11.8
5	12-11.8
5	12-11.8
7.5	17.2-16.2
7.5	17.2-16.2
7.5	17.2-16.2
10	24.8-24.2
10	24.8-24.2

### 3~208-230V



#### Dimensions and Weights

Model	P	B	F	W	D	Weight lbs
	Dimensions					
	in	in	in	in	in	
V30-02-1 EFC	32	20	20	22	44	219
V30-03-1	34	20	20	22	44	223
V30-04-1	36	20	20	22	44	227
V30-05-1	39	20	20	22	44	241
V30-06-1	40	20	20	22	44	246
V30-07-1	45	20	20	23	44	266
V30-08-1	46	20	20	23	44	269
V30-09-1	48	20	20	23	44	267
V30-10-1	49	20	20	23	44	270
V30-11-1	52	20	20	23	44	273
V30-12-1	57	32	32	33	68	423
V30-14-1	60	32	32	33	68	427
V30-16-1	63	32	32	33	68	431
V30-17-1	66	32	32	33	68	506
V30-19-1	69	32	32	33	68	512

#### TEFC Motor Data

3~208-230V	
P2	FLA
[HP]	[A]
1	3.0-2.8
1.5	4.0-3.8
2	5.3-5.0
3	7.9-7.2
3	7.9-7.2
5	12-11.8
5	12-11.8
5	12-11.8
5	12-11.8
5	12-11.8
7.5	17.2-16.2
7.5	17.2-16.2
7.5	17.2-16.2
10	24.8-24.2
10	24.8-24.2



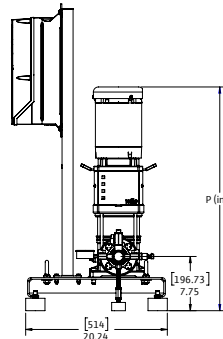
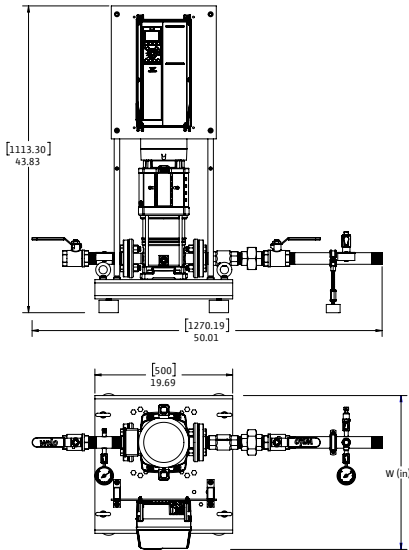
# Submittal Data Sheet

## Wilo Helix Complete – Vertical Multistage Pumps



### Dimensions, Weights & Electrical Data

#### 3~460V



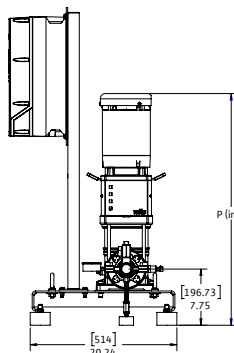
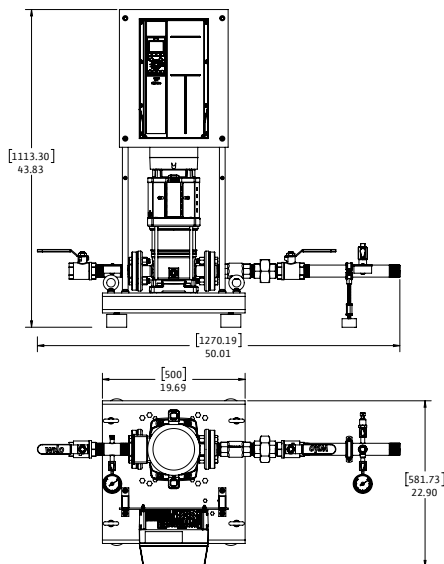
#### Dimensions and Weights

Model	P	B	F	W	D	Weight lbs
	Dimensions					
	in	in	in	in	in	
V30-02-1 EFC	32	20	20	22	44	219
V30-03-1	34	20	20	22	44	223
V30-04-1	36	20	20	22	44	227
V30-05-1	39	20	20	22	44	241
V30-06-1	40	20	20	22	44	246
V30-07-1	45	20	20	22	44	266
V30-08-1	46	20	20	22	44	269
V30-09-1	48	20	20	22	44	269
V30-10-1	49	20	20	22	44	270
V30-11-1	52	20	20	22	44	273
V30-12-1	57	20	20	23	44	313
V30-14-1	60	20	20	23	44	317
V30-16-1	63	20	20	23	44	321
V30-17-1	66	20	20	23	44	396
V30-19-1	69	20	20	23	44	402

#### TEFC Motor Data

3~460V	
P2	FLA
[HP]	[A]
1	1.40
1.5	1.87
2	2.50
3	3.60
3	3.60
5	5.90
5	5.90
5	5.90
5	5.90
7.5	8.10
7.5	8.10
7.5	8.10
10	12.10
10	12.10

#### 3~575V



#### Dimensions and Weights

Model	P	B	F	W	D	Weight lbs
	Dimensions					
	in	in	in	in	in	
V30-02-1 EFC	32	20	20	23	44	219
V30-03-1	34	20	20	23	44	223
V30-04-1	36	20	20	23	44	227
V30-05-1	39	20	20	23	44	241
V30-06-1	40	20	20	23	44	246
V30-07-1	45	20	20	23	44	266
V30-08-1	46	20	20	23	44	269
V30-09-1	48	20	20	23	44	267
V30-10-1	49	20	20	23	44	270
V30-11-1	52	20	20	23	44	273
V30-12-1	57	20	20	23	44	313
V30-14-1	60	20	20	23	44	317
V30-16-1	63	20	20	23	44	321
V30-17-1	66	20	20	23	44	396
V30-19-1	69	20	20	23	44	402

#### TEFC Motor Data

3~575V	
P2	FLA
[HP]	[A]
1	1.10
1.5	1.50
2	2.00
3	2.90
3	2.90
5	4.70
5	4.70
5	4.70
5	4.70
7.5	6.80
7.5	6.80
7.5	6.80
10	9.50
10	9.50

# Submittal Data Sheet

## Wilo Helix Complete- Vertical Multistage Pumps

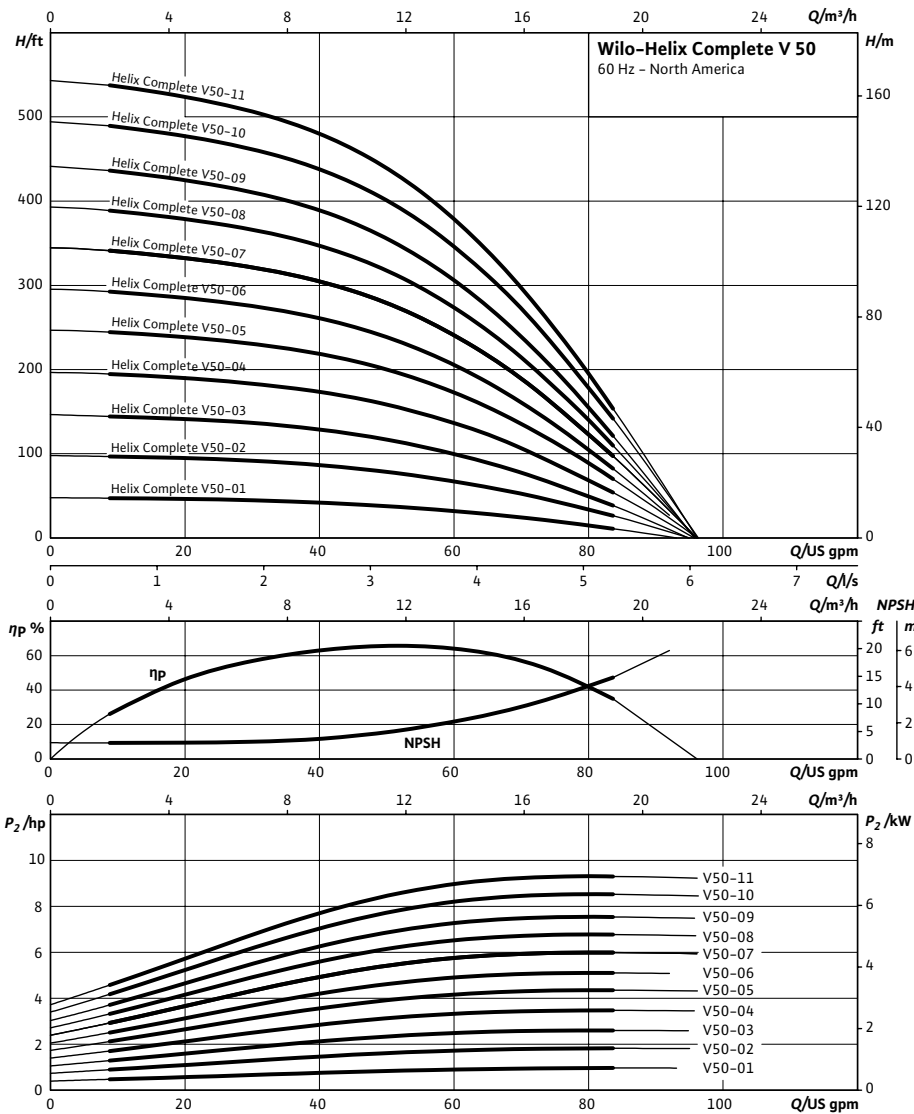


### Wilo Helix Complete V 50 EFC (304 SS - EPDM)



Project:	
Engineer:	
Contractor:	
Submitted By:	Date:
Approved By:	Date:

Tag #	Model #	Flow	Head	HP	Cycle	Phase	Voltage	RPM
	Helix Complete V50 EFC				60HZ			



Applications	
• Water supply & pressure boosting	• Industrial circulation systems
• Cooling water circulation systems	• Process water
• Washing systems	• Irrigation

Materials of Construction	
Pump volute, flanges, impeller, stage housing, diffusers	Stainless steel AISI 304
Shaft	Stainless steel AISI 304 or AISI 316LN (Depending on version)
Shaft sleeve	Stainless Steel AISI 316L
Baseplate & lantern	Cast Iron Cataphoresis Coated ASTM A 48 Class 35/40
O-ring	EPDM (FKM upon request)
Jacket pipe	Stainless Steel AISI 304

Technical Data	
Certification	NSF 61 Approved (EPDM)
Liquid Temp Range	-4°F to +248°F
Power Supply	3- 208-230v, 3- 460v, 3- 575v
Ambient temperature	+5°F to +104°F
Flange Connection	ANSI CLASS 300
Max Operating Pressure	232/363 PSI
Protection Class	IP 55

Approval Stamp

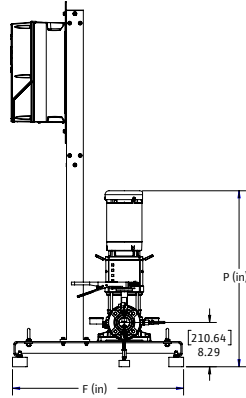
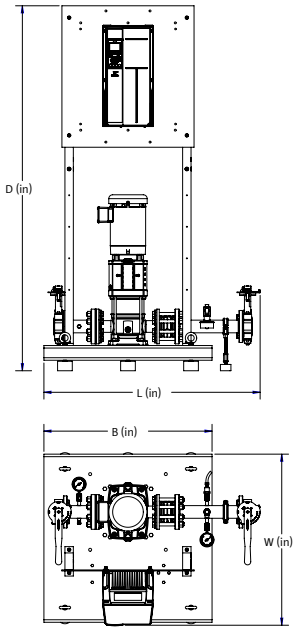
# Submittal Data Sheet

Wilo Helix Complete – Vertical Multistage Pumps



## Dimensions, Weights & Electrical Data

### 1~230V



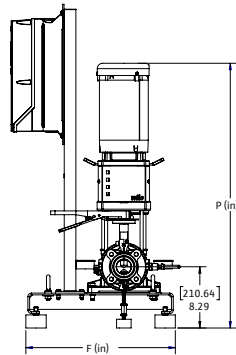
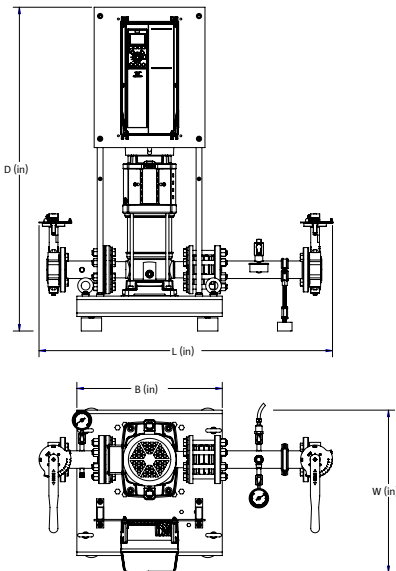
#### Dimensions and Weights

Model	P	B	F	W	D	Weight lbs
	Dimensions					
	in	in	in	in	in	
V50-01-1 EFC	32	20	20	22	44	258
V50-02-1	33	32	32	32	68	382
V50-03-1	36	32	32	32	68	391
V50-04-1	40	32	32	32	68	425
V50-05-1	41	32	32	32	68	427
V50-06-1	43	32	32	32	68	427
V50-07-1	50	32	32	32	68	477
V50-08-1	51	32	32	32	68	479
V50-09-1	53	32	32	32	68	483
V50-10-1	54	32	32	32	68	521
V50-11-1	57	32	32	32	68	526

#### TEFC Motor Data

1~230V	
P2	FLA
[HP]	[A]
1	3.0-2.8
2	5.3-5.0
3	7.9-7.2
5	12-11.8
5	12-11.8
5	12-11.8
7.5	17.2-16.2
7.5	17.2-16.2
7.5	17.2-16.2
10	24.8-24.2
10	24.8-24.2

### 3~208-230V



#### Dimensions and Weights

Model	P	B	F	W	D	Weight lbs
	Dimensions					
	in	in	in	in	in	
V50-01-1 EFC	32	20	20	22	44	257
V50-02-1	33	20	20	22	44	267
V50-03-1	36	20	20	22	44	276
V50-04-1	40	20	20	23	44	311
V50-05-1	41	20	20	23	44	313
V50-06-1	43	20	20	23	44	313
V50-07-1	50	32	32	33	68	477
V50-08-1	51	32	32	33	68	479
V50-09-1	53	32	32	33	68	483
V50-10-1	54	32	32	33	68	512
V50-11-1	57	32	32	33	68	517

#### TEFC Motor Data

3~208-230V	
P2	FLA
[HP]	[A]
1	3.0-2.8
2	5.3-5.0
3	7.9-7.2
5	12-11.8
5	12-11.8
5	12-11.8
7.5	17.2-16.2
7.5	17.2-16.2
7.5	17.2-16.2
10	24.8-24.2
10	24.8-24.2

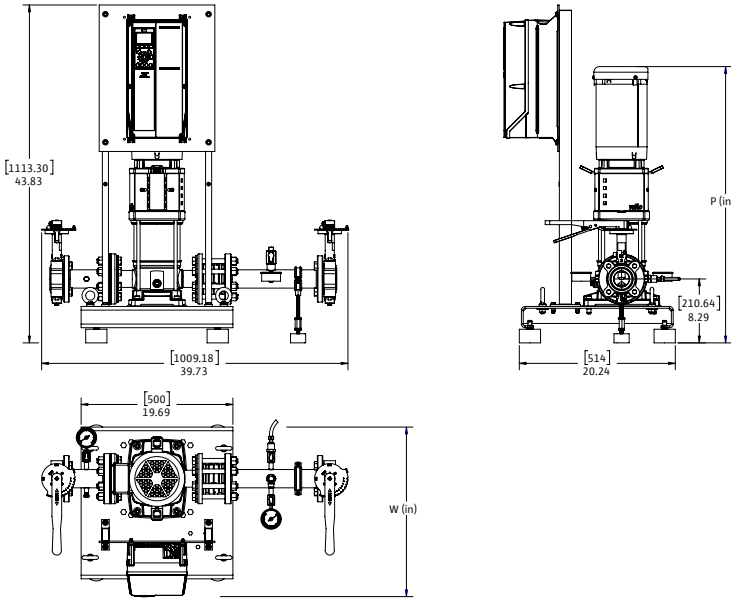
# Submittal Data Sheet

Wilo Helix Complete – Vertical Multistage Pumps



## Dimensions, Weights & Electrical Data

### 3~460V



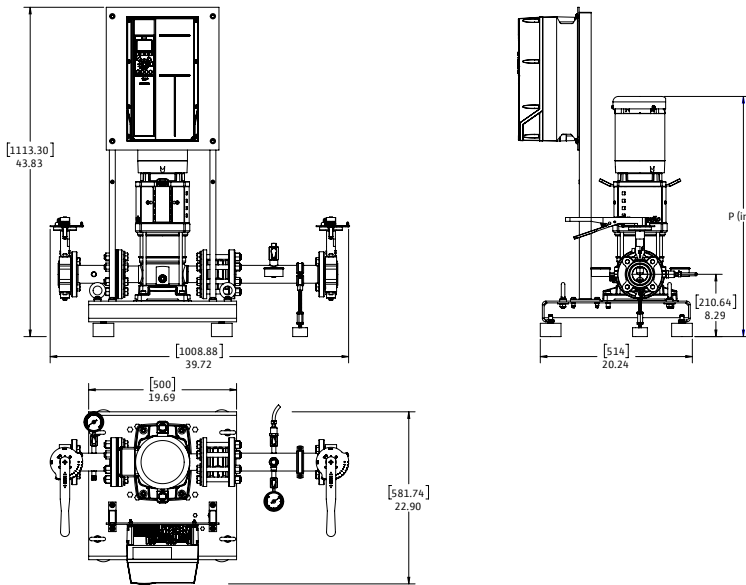
#### Dimensions and Weights

Model	P	B	F	W	D	Weight lbs
	in	in	in	in	in	
V50-01-1 EFC	32	20	20	22	44	257
V50-02-1	33	20	20	22	44	267
V50-03-1	36	20	20	22	44	276
V50-04-1	40	20	20	22	44	310
V50-05-1	41	20	20	22	44	312
V50-06-1	43	20	20	22	44	312
V50-07-1	50	20	20	23	44	363
V50-08-1	51	20	20	23	44	365
V50-09-1	53	20	20	23	44	369
V50-10-1	54	20	20	23	44	398
V50-11-1	57	20	20	23	44	403

#### TEFC Motor Data

3~460V	
P2 [HP]	FLA [A]
1	1.40
2	2.50
3	3.60
5	5.90
5	5.90
5	5.90
7.5	8.10
7.5	8.10
7.5	8.10
10	12.10
10	12.10

### 3~575V



#### Dimensions and Weights

Model	P	B	F	W	D	Weight lbs
	in	in	in	in	in	
V50-01-1 EFC	32	20	20	23	44	258
V50-02-1	33	20	20	23	44	268
V50-03-1	36	20	20	23	44	277
V50-04-1	40	20	20	23	44	311
V50-05-1	41	20	20	23	44	313
V50-06-1	43	20	20	23	44	313
V50-07-1	50	20	20	23	44	363
V50-08-1	51	20	20	23	44	365
V50-09-1	53	20	20	23	44	369
V50-10-1	54	20	20	23	44	398
V50-11-1	57	20	20	23	44	403

#### TEFC Motor Data

3~575V	
P2 [HP]	FLA [A]
1	1.10
2	2.00
3	2.90
5	4.70
5	4.70
5	4.70
7.5	6.80
7.5	6.80
7.5	6.80
10	9.50
10	9.50

# Submittal Data Sheet

## Wilo Helix Complete- Vertical Multistage Pumps

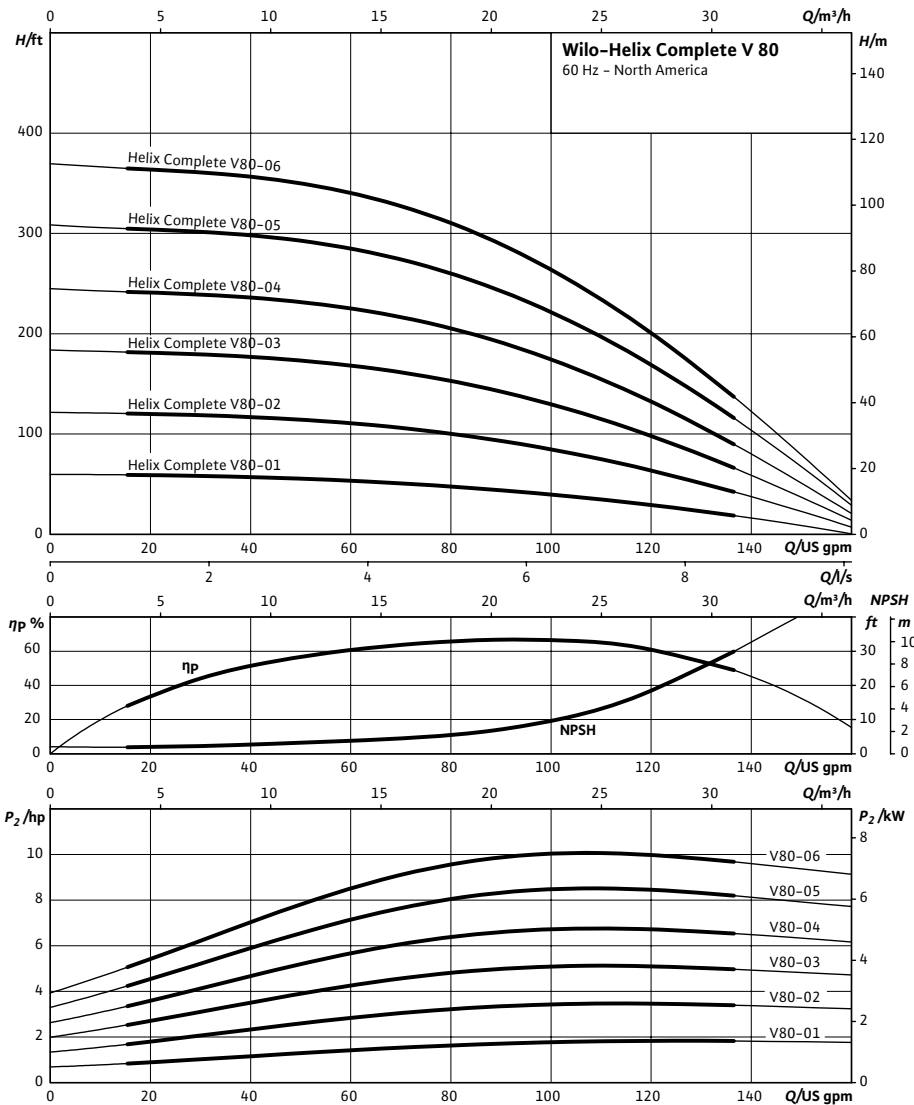


### Wilo Helix Complete V 80 EFC (304 SS - EPDM)



Project:	
Engineer:	
Contractor:	
Submitted By:	Date:
Approved By:	Date:

Tag #	Model #	Flow	Head	HP	Cycle	Phase	Voltage	RPM
	Helix Complete V80 EFC				60HZ			



Applications	
• Water supply & pressure boosting	• Industrial circulation systems
• Cooling water circulation systems	• Process water
• Washing systems	• Irrigation

Materials of Construction	
Pump volute, flanges, impeller, stage housing, diffusers	Stainless steel AISI 304
Shaft	Stainless steel AISI 304 or AISI 316LN (Depending on version)
Shaft sleeve	Stainless Steel AISI 316L
Baseplate & lantern	Cast Iron Cataphoresis Coated ASTM A 48 Class 35/40
O-ring	EPDM (FKM upon request)
Jacket pipe	Stainless Steel AISI 304

Technical Data	
Certification	NSF 61 Approved (EPDM)
Liquid Temp Range	-4°F to +248°F
Power Supply	3- 208-230v, 3- 460v, 3- 575v
Ambient temperature	+5°F to +104°F
Flange Connection	ANSI CLASS 300
Max Operating Pressure	232/363 PSI
Protection Class	IP 55

Approval Stamp

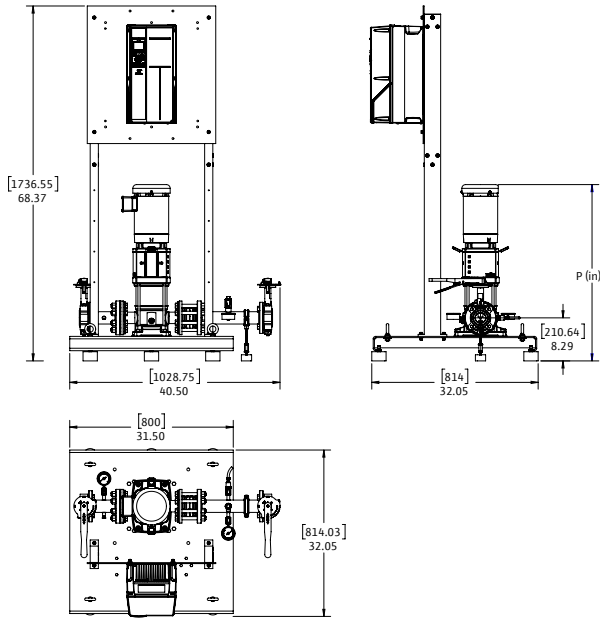
# Submittal Data Sheet

Wilo Helix Complete – Vertical Multistage Pumps



## Dimensions, Weights & Electrical Data

### 1~230V



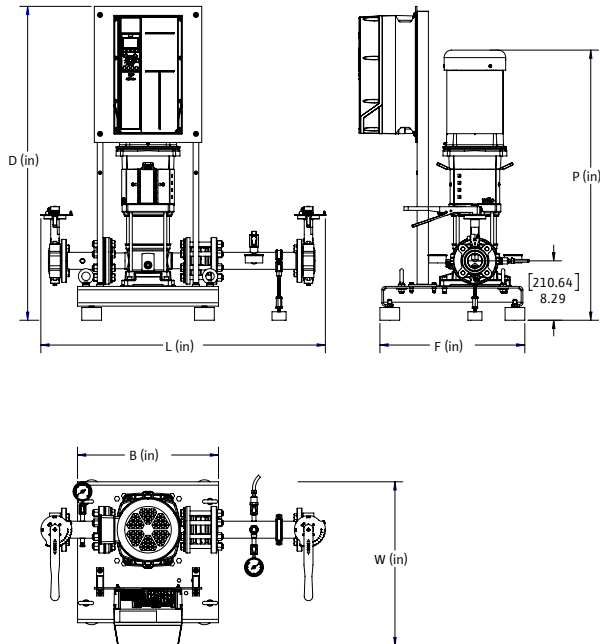
#### Dimensions and Weights

Model	P	B	F	W	D	Weight lbs
	in	in	in	in	in	
V80-01-1 EFC	34	32	32	32	68	384
V80-02-1	38	32	32	32	68	425
V80-03-1	40	32	32	32	68	427
V80-04-1	48	32	32	32	68	479
V80-05-1	50	32	32	32	68	519
V80-06-1	52	32	32	32	68	521

#### TEFC Motor Data

1~230V	
P2	FLA
[HP]	[A]
2	5.3-5.0
5	12-11.8
5	12-11.8
7.5	17.2-16.2
10	24.8-24.2
10	24.8-24.2

### 3~208-230V



#### Dimensions and Weights

Model	P	B	F	W	D	Weight lbs
	in	in	in	in	in	
V80-01-1 EFC	34	20	20	22	44	269
V80-02-1	38	20	20	23	44	311
V80-03-1	40	20	20	23	44	313
V80-04-1	48	32	32	33	68	479
V80-05-1	50	32	32	33	68	510
V80-06-1	52	32	32	33	68	512

#### TEFC Motor Data

3~208-230V	
P2	FLA
[HP]	[A]
2	5.3-5.0
5	12-11.8
5	12-11.8
7.5	17.2-16.2
10	24.8-24.2
10	24.8-24.2

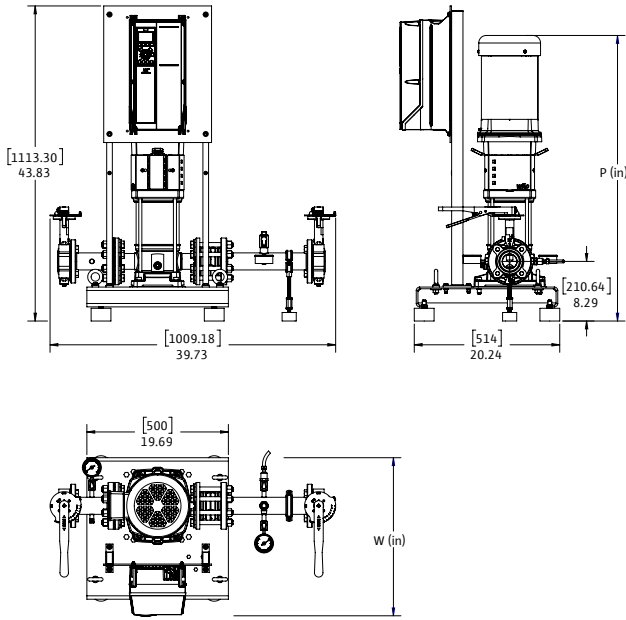
# Submittal Data Sheet

## Wilo Helix Complete – Vertical Multistage Pumps



### Dimensions, Weights & Electrical Data

#### 3~460V



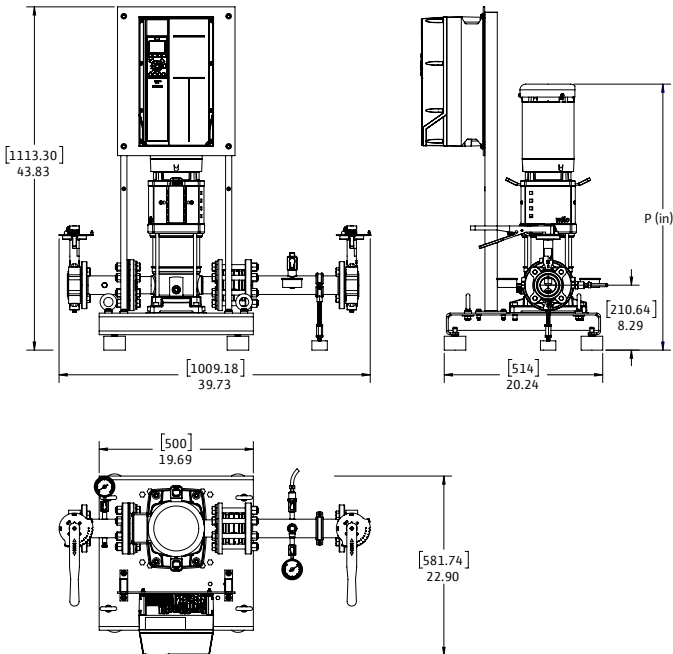
#### Dimensions and Weights

Model	P	B	F	W	D	Weight lbs
	in	in	in	in	in	
V80-01-1 EFC	34	20	20	22	44	269
V80-02-1	38	20	20	22	44	310
V80-03-1	40	20	20	22	44	312
V80-04-1	48	20	20	23	44	365
V80-05-1	50	20	20	23	44	396
V80-06-1	52	20	20	23	44	398

#### TEFC Motor Data

3~460V	
P2 [HP]	FLA [A]
2	2.50
5	5.90
5	5.90
7.5	8.10
10	12.10
10	12.10

#### 3~575V



#### Dimensions and Weights

Model	P	B	F	W	D	Weight lbs
	in	in	in	in	in	
V80-01-1 EFC	34	20	20	23	44	270
V80-02-1	38	20	20	23	44	311
V80-03-1	40	20	20	23	44	313
V80-04-1	48	20	20	23	44	365
V80-05-1	50	20	20	23	44	396
V80-06-1	52	20	20	23	44	398

#### TEFC Motor Data

3~575V	
P2 [HP]	FLA [A]
2	2.00
5	4.70
5	4.70
7.5	6.80
10	9.50
10	9.50

# Submittal Data Sheet

## Wilco Helix Complete- Vertical Multistage Pumps

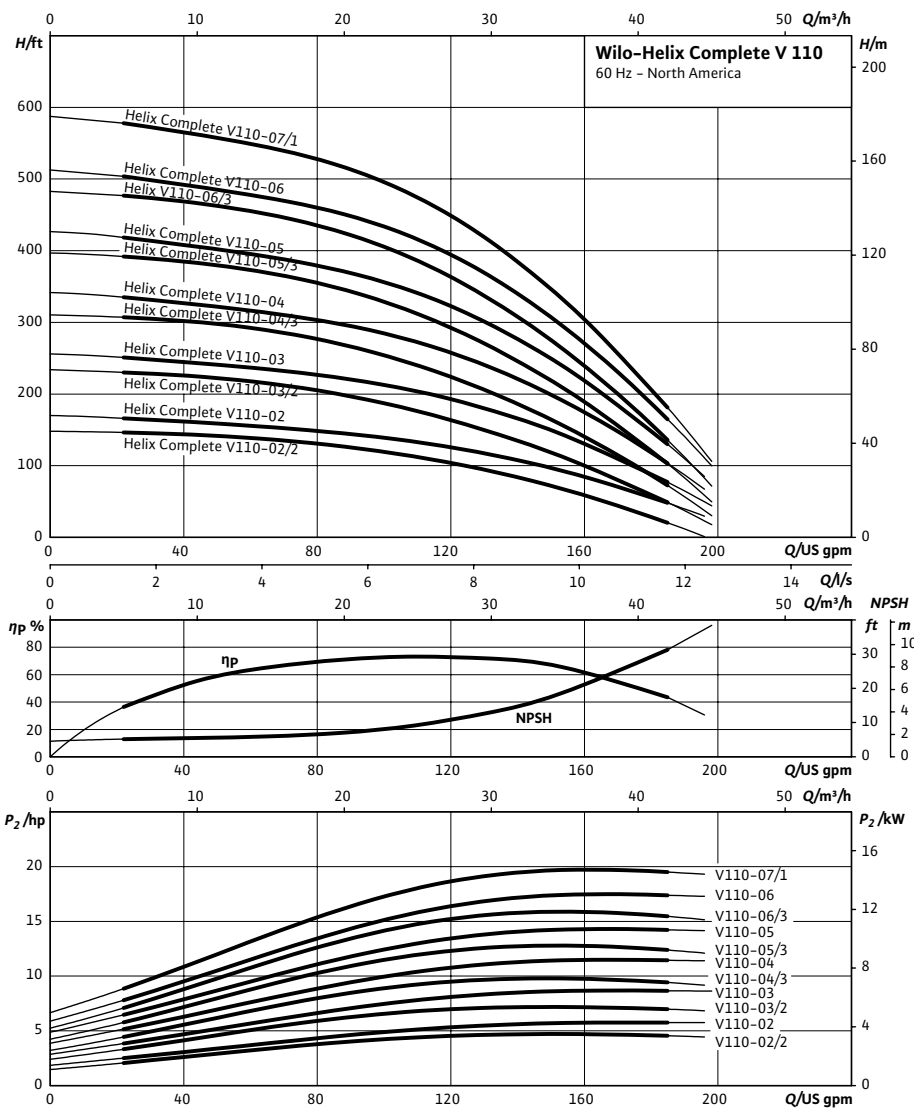


### Wilco Helix Complete V 110 EFC (304 SS - EPDM)



Project:	
Engineer:	
Contractor:	
Submitted By:	Date:
Approved By:	Date:

Tag #	Model #	Flow	Head	HP	Cycle	Phase	Voltage	RPM
	Helix Complete V110 EFC				60HZ			



#### Applications

- Water supply & pressure boosting
- Industrial circulation systems
- Cooling water circulation systems
- Process water
- Washing systems
- Irrigation

#### Materials of Construction

Pump Volute	Stainless steel AISI 304
Impeller, Housing, Diffusers	Stainless steel AISI 304L
Shaft	Stainless steel AISI 431
Shaft Sleeve	Stainless steel AISI 316L
Baseplate & Lantern	Cast iron cataphoresis coated ASTM A 48 Class 35/40
Flanges	Cast iron cataphoresis, coated Grey Cast Iron ASTM A 48 Class 35/40
O-ring	EPDM (FKM gasket upon request)
Jacket Pipe	Stainless steel AISI 304

#### Technical Data

Certification	NSF 61 Approved (EPDM)
Liquid Temp Range	-4°F to +248°F
Power Supply	3- 208-230v, 3- 460v, 3- 575v
Ambient temperature	+5°F to +104°F
Flange Connection	ANSI CLASS 300
Max Operating Pressure	232/363 PSI
Protection Class	IP 55

Approval Stamp



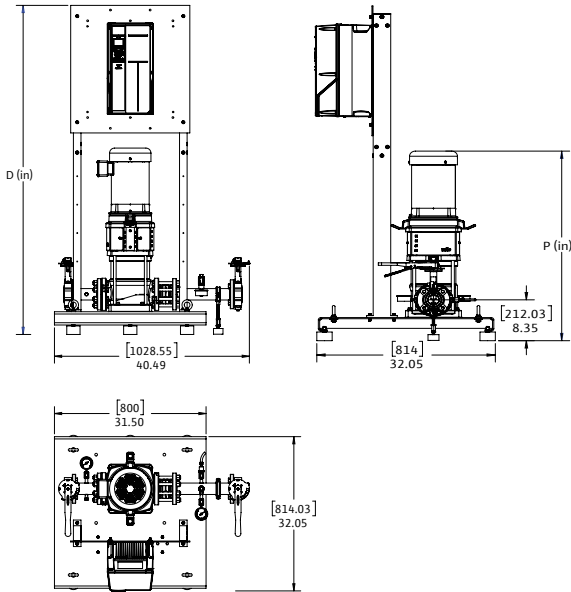
# Submittal Data Sheet

Wilo Helix Complete – Vertical Multistage Pumps



## Dimensions, Weights & Electrical Data

### 1~230V



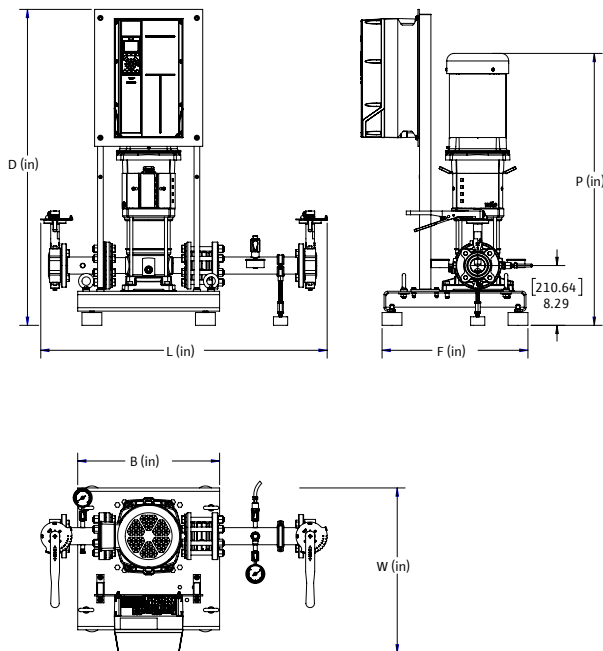
#### Dimensions and Weights

Model	P	B	F	W	D	Weight lbs
	Dimensions					
	in	in	in	in	in	
V110-02/2-1 EFC	39	32	32	34	68	491
V110-02-1	45	32	32	34	68	532
V110-03/2-1	47	32	32	34	68	541
V110-03-1	47	32	32	34	68	581
V110-04/3-1	49	32	32	34	68	583

#### TEFC Motor Data

1~230V	
P2	FLA
[HP]	[A]
5	12-11.8
7.5	17.2-16.2
7.5	17.2-16.2
10	24.8-24.2
10	24.8-24.2

### 3~208-230V



#### Dimensions and Weights

Model	P	B	F	W	D	Weight lbs
	Dimensions					
	in	in	in	in	in	
V110-02/2-1 EFC	39	32	32	32	44	428
V110-02-1	45	32	32	32	68	532
V110-03/2-1	47	32	32	32	68	541
V110-03-1	47	32	32	32	68	572
V110-04/3-1	49	32	32	32	68	574
V110-04-1	53	32	32	32	68	617
V110-05/3-1	55	32	32	32	68	628
V110-05-1	55	32	32	32	68	621
V110-06/3-1	56	32	32	32	68	700
V110-06-1	56	32	32	32	68	702
V110-07/1-1	58	32	32	32	68	711

#### TEFC Motor Data

3~208-230V	
P2	FLA
[HP]	[A]
5	12-11.8
7.5	17.2-16.2
7.5	17.2-16.2
10	24.8-24.2
10	24.8-24.2
15	38.5-34.8
15	38.5-34.8
15	38.5-34.8
20	50.0-46.0
20	50.0-46.0
20	50.0-46.0

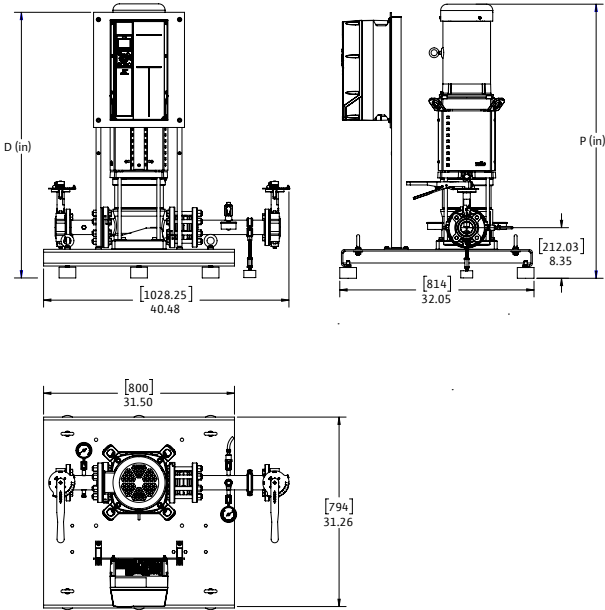
# Submittal Data Sheet

Wilo Helix Complete – Vertical Multistage Pumps



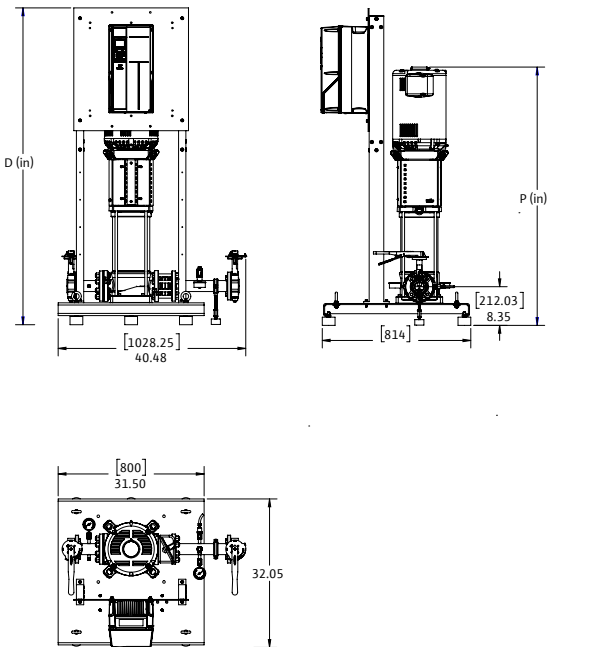
## Dimensions, Weights & Electrical Data

### 3~460V



Dimensions and Weights							TEFC Motor Data		
Model	P	B	F	W	D	Weight lbs	3~460V		
	Dimensions						Weight	P2	FLA
	in	in	in	in	in			[HP]	[A]
V110-02/2-1 EFC	39	32	32	32	44	427	5	5.9	
V110-02-1	45	32	32	32	44	469	7.5	8.1	
V110-03/2-1	47	32	32	32	44	478	7.5	8.1	
V110-03-1	47	32	32	32	44	509	10	12.1	
V110-04/3-1	49	32	32	32	44	511	10	12.1	
V110-04-1	53	32	32	32	68	617	15	17.4	
V110-05/3-1	55	32	32	32	68	628	15	17.4	
V110-05-1	55	32	32	32	68	621	15	17.4	
V110-06/3-1	56	32	32	32	68	691	20	23	
V110-06-1	56	32	32	32	68	693	20	23	
V110-07/1-1	58	32	32	32	68	702	20	23	

### 3~575V



Dimensions and Weights							TEFC Motor Data		
Model	P	B	F	W	D	Weight lbs	3~575V		
	Dimensions						Weight	P2	FLA
	in	in	in	in	in			[HP]	[A]
V110-02/2-1 EFC	39	32	32	32	44	428	5	4.7	
V110-02-1	45	32	32	32	44	469	7.5	6.8	
V110-03/2-1	47	32	32	32	44	478	7.5	6.8	
V110-03-1	47	32	32	32	44	509	10	9.5	
V110-04/3-1	49	32	32	32	44	511	10	9.5	
V110-04-1	53	32	32	32	68	617	15	13.9	
V110-05/3-1	55	32	32	32	68	628	15	13.9	
V110-05-1	55	32	32	32	68	621	15	13.9	
V110-06/3-1	56	32	32	32	68	691	20	18.2	
V110-06-1	56	32	32	32	68	693	20	18.2	
V110-07/1-1	58	32	32	32	68	702	20	18.2	

# Submittal Data Sheet

## Wilo Helix Complete- Vertical Multistage Pumps

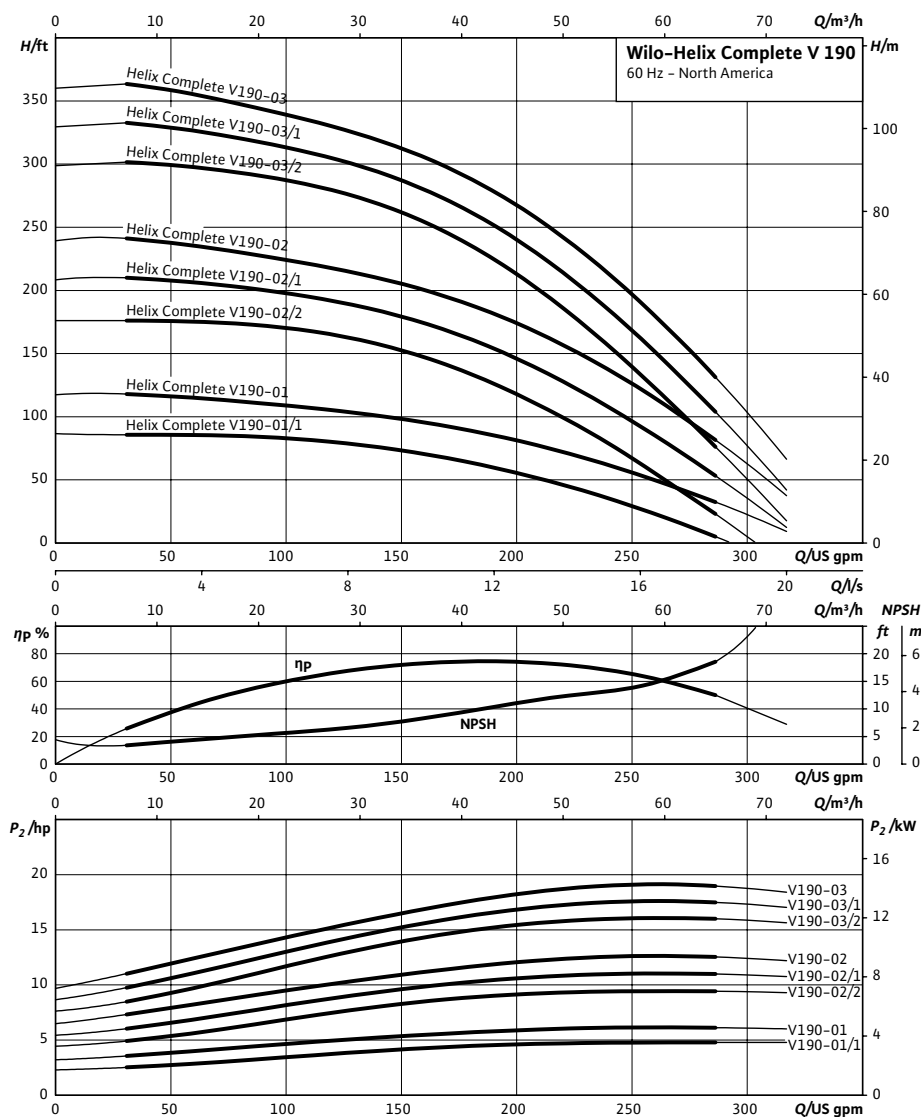


### Wilo Helix Complete V 190 EFC (304 SS - EPDM)



Project:			
Engineer:			
Contractor:			
Submitted By:		Date:	
Approved By:		Date:	

Tag #	Model #	Flow	Head	HP	Cycle	Phase	Voltage	RPM
	Helix Complete V190 EFC				60HZ			



#### Applications

• Water supply & pressure boosting	• Industrial circulation systems
• Cooling water circulation systems	• Process water
• Washing systems	• Irrigation

#### Materials of Construction

Pump Volute	Stainless steel AISI 304
Impeller, Housing, Diffusers	Stainless steel AISI 304L
Shaft	Stainless steel AISI 431
Shaft Sleeve	Stainless steel AISI 316L
Baseplate & Lantern	Cast iron cataphoresis coated ASTM A 48 Class 35/40
Flanges	Cast iron cataphoresis, coated Grey Cast Iron ASTM A 48 Class 35/40
O-ring	EPDM (FKM gasket upon request)
Jacket Pipe	Stainless steel AISI 304

#### Technical Data

Certification	NSF 61 Approved (EPDM)
Liquid Temp Range	-4°F to +248°F
Power Supply	3- 208-230v, 3- 460v, 3- 575v
Ambient temperature	+5°F to +104°F
Flange Connection	ANSI CLASS 300
Max Operating Pressure	232/363 PSI
Protection Class	IP 55

Approval Stamp

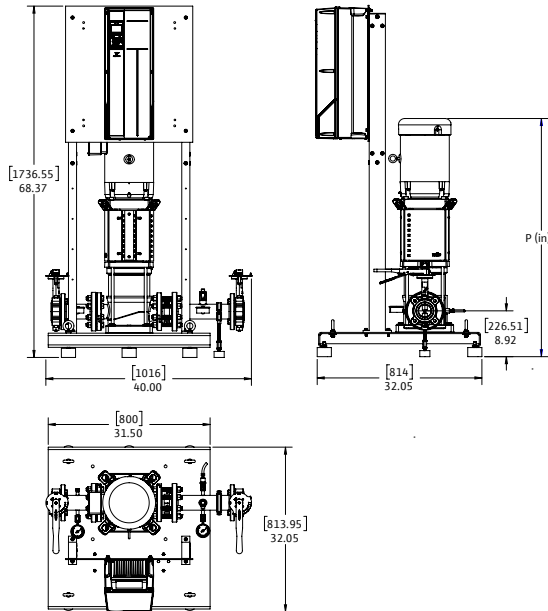
# Submittal Data Sheet

## Wilo Helix Complete – Vertical Multistage Pumps



### Dimensions, Weights & Electrical Data

#### 1~230V



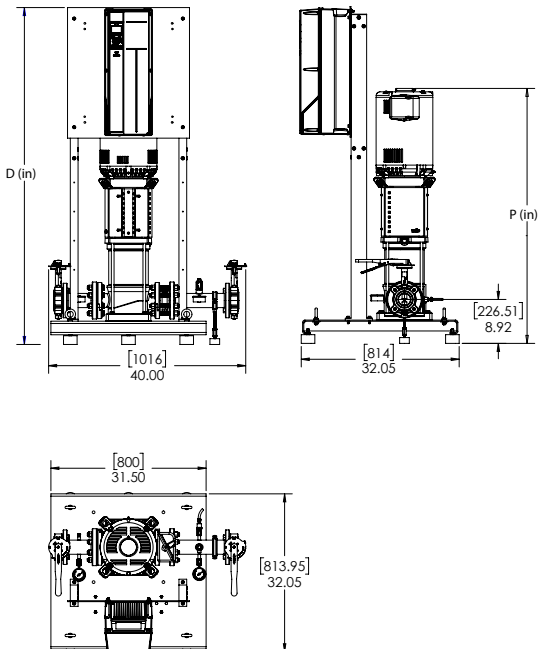
#### Dimensions and Weights

Model	P	B	F	W	D	Weight lbs
	Dimensions					
	in	in	in	in	in	
V190-01/1-1 EFC	38	32	32	32	68	526
V190-01-1	44	32	32	32	68	576
V190-02/2-1	46	32	32	32	68	620

#### TEFC Motor Data

1-230V	
P2	FLA
[HP]	[A]
5	12-11.8
7.5	17.2-16.2
10	24.8-24.2

#### 3~208-230V



#### Dimensions and Weights

Model	P	B	F	W	D	Weight lbs
	Dimensions					
	in	in	in	in	in	
V190-01/1-1 EFC	38	32	32	32	44	467
V190-01-1	44	32	32	32	68	576
V190-02/2-1	46	32	32	32	68	611
V190-02/1-1	50	32	32	32	68	652
V190-02-1	50	32	32	32	68	652
V190-03/2-1	52	32	32	32	68	735
V190-03/1-1	52	32	32	32	68	735
V190-03-1	52	32	32	32	68	729

#### TEFC Motor Data

3-208-230V	
P2	FLA
[HP]	[A]
5	12-11.8
7.5	17.2-16.2
10	24.8-24.2
15	38.5-34.8
15	38.5-34.8
20	50.0-46.0
20	50.0-46.0
20	50.0-46.0

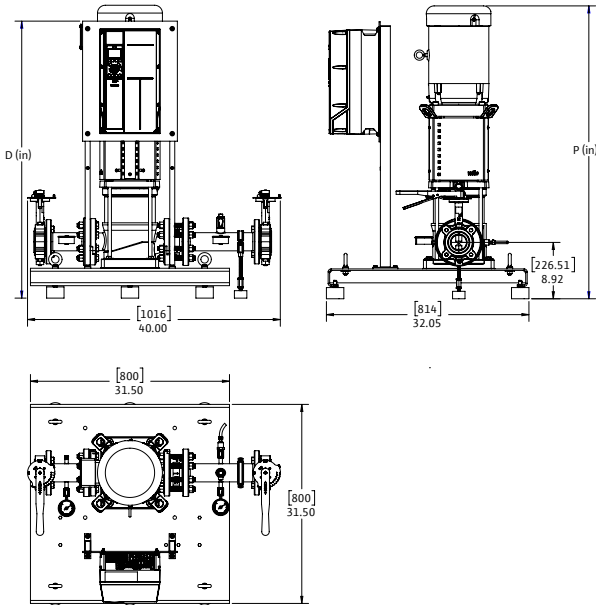
# Submittal Data Sheet

Wilo Helix Complete – Vertical Multistage Pumps



## Dimensions, Weights & Electrical Data

### 3~460V



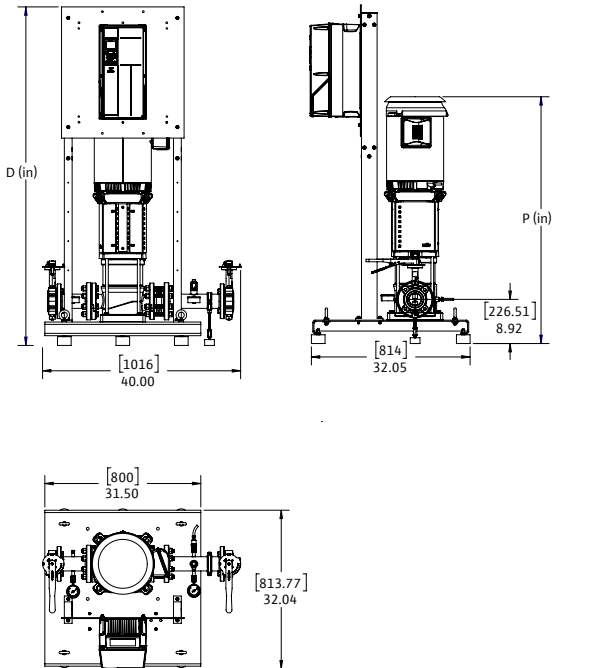
### Dimensions and Weights

Model	P	B	F	W	D	Weight lbs
	in	in	in	in	in	
V190-01/1-1 EFC	38	32	32	32	44	467
V190-01-1	44	32	32	32	44	517
V190-02/2-1	46	32	32	32	44	552
V190-02/1-1	50	32	32	32	68	652
V190-02-1	50	32	32	32	68	652
V190-03/2-1	52	32	32	32	68	726
V190-03/1-1	52	32	32	32	68	726
V190-03-1	52	32	32	32	68	720

### TEFC Motor Data

3~460V	
P2	FLA
[HP]	[A]
5	5.9
7.5	8.1
10	12.1
15	17.4
15	17.4
20	23
20	23
20	23

### 3~575V



### Dimensions and Weights

Model	P	B	F	W	D	Weight lbs
	in	in	in	in	in	
V190-01/1-1 EFC	38	32	32	32	44	467
V190-01-1	44	32	32	32	44	517
V190-02/2-1	46	32	32	32	44	552
V190-02/1-1	50	32	32	32	68	652
V190-02-1	50	32	32	32	68	652
V190-03/2-1	52	32	32	32	68	726
V190-03/1-1	52	32	32	32	68	726
V190-03-1	52	32	32	32	68	720

### TEFC Motor Data

3~575V	
P2	FLA
[HP]	[A]
5	4.7
7.5	6.8
10	9.5
15	13.9
15	13.9
20	18.2
20	18.2
20	18.2

# Submittal Data Sheet

## Wilco Helix Complete- Vertical Multistage Pumps

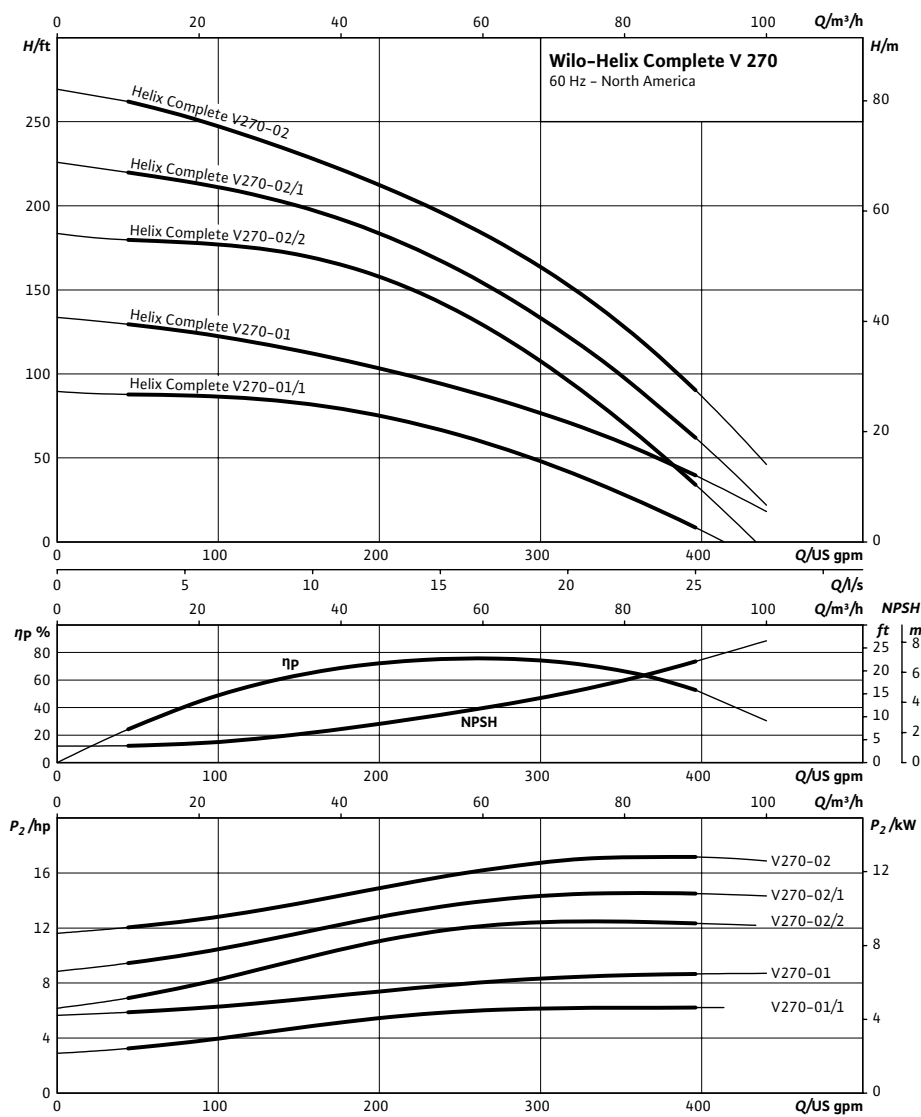


### Wilo Helix Complete V 270 DISC (304 SS - EPDM)



Project:								
Engineer:								
Contractor:								
Submitted By:					Date:			
Approved By:					Date:			

Tag #	Model #	Flow	Head	HP	Cycle	Phase	Voltage	RPM
	Helix Complete V270 EFC				60HZ			



Applications	
• Water supply & pressure boosting	• Industrial circulation systems
• Cooling water circulation systems	• Process water
• Washing systems	• Irrigation

Materials of Construction	
Pump Volute	Stainless steel AISI 304
Impeller, Housing, Diffusers	Stainless steel AISI 304L
Shaft	Stainless steel AISI 431
Shaft Sleeve	Stainless steel AISI 316L
Baseplate & Lantern	Cast iron cataphoresis coated ASTM A 48 Class 35/40
Flanges	Cast iron cataphoresis, coated Grey Cast Iron ASTM A 48 Class 35/40
O-ring	EPDM (FKM gasket upon request)
Jacket Pipe	Stainless steel AISI 304

Technical Data	
Certification	NSF 61 Approved (EPDM)
Liquid Temp Range	-4°F to +248°F
Power Supply	3- 208-230v, 3- 460v, 3- 575v
Ambient temperature	+5°F to +104°F
Flange Connection	ANSI CLASS 300
Max Operating Pressure	232/363 PSI
Protection Class	IP 55

Approval Stamp

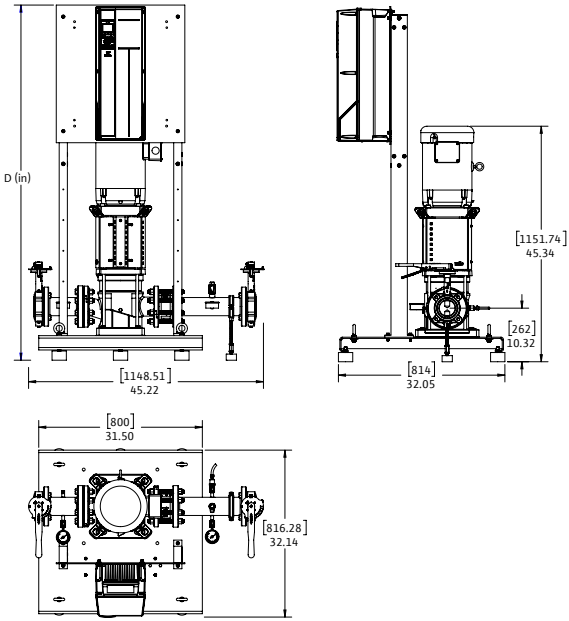
# Submittal Data Sheet

## Wilo Helix Complete – Vertical Multistage Pumps



### Dimensions, Weights & Electrical Data

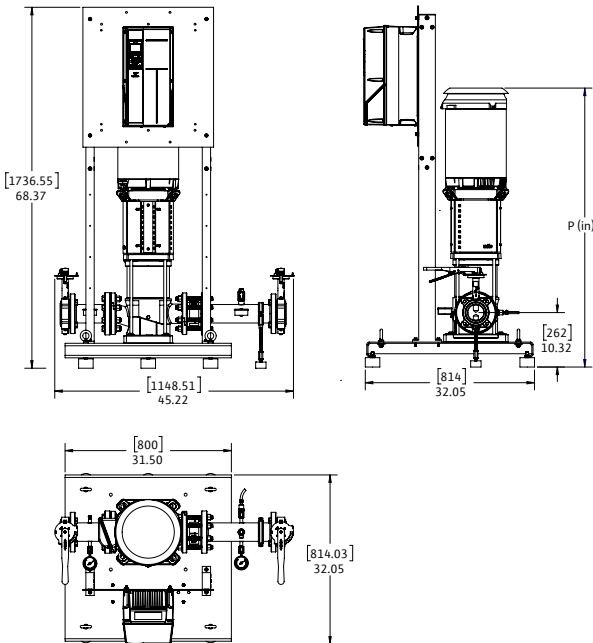
#### 1~230V



Dimensions and Weights						
	P	B	F	W	D	
	Dimensions				Weight	
Model	in	in	in	in	in	lbs
V270-01/1-1 EFC	45	32	32	32	68	605
V270-01-1	45	32	32	32	68	645

TEFC Motor Data	
1~230V	
P2	FLA
[HP]	[A]
7.5	17.2-16.2
10	24.8-24.2

#### 3~208-230V



Dimensions and Weights						
	P	B	F	W	D	
	Dimensions				Weight	
Model	in	in	in	in	in	lbs
V270-01/1-1 EFC	45	32	32	32	68	605
V270-01-1	45	32	32	32	68	636
V270-02/2-1	53	32	32	32	68	694
V270-02/1-1	53	32	32	32	68	753
V270-02-1	52	32	32	32	68	762

TEFC Motor Data	
3~208-230V	
P2	FLA
[HP]	[A]
7.5	17.2-16.2
10	24.8-24.2
15	38.5-34.8
15	38.5-34.8
20	50.0-46.0

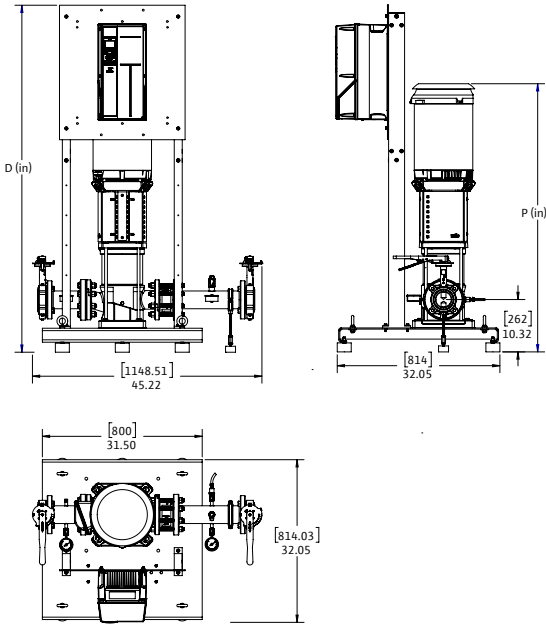
# Submittal Data Sheet

Wilo Helix Complete – Vertical Multistage Pumps



## Dimensions, Weights & Electrical Data

### 3~460V



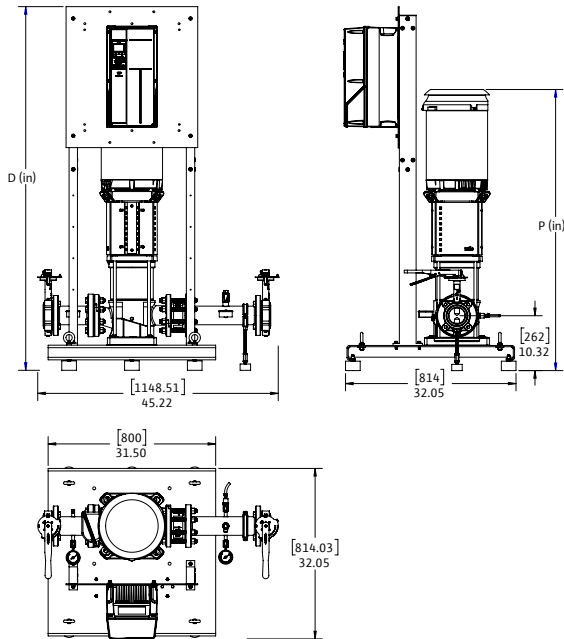
#### Dimensions and Weights

Model	P	B	F	W	D	Weight lbs
	Dimensions in					
V270-01/1-1 EFC	45	32	32	32	44	547
V270-01-1	45	32	32	32	44	578
V270-02/2-1	53	32	32	32	68	694
V270-02/1-1	53	32	32	32	68	753
V270-02-1	52	32	32	32	68	753

#### TEFC Motor Data

3~460V	
P2	FLA
[HP]	[A]
7.5	8.1
10	12.1
15	17.4
15	17.4
20	23

### 3~575V



#### Dimensions and Weights

Model	P	B	F	W	D	Weight lbs
	Dimensions in					
V270-01/1-1 EFC	45	32	32	32	44	547
V270-01-1	45	32	32	32	44	578
V270-02/2-1	53	32	32	32	68	694
V270-02/1-1	53	32	32	32	68	753
V270-02-1	52	32	32	32	68	753

#### TEFC Motor Data

3~575V	
P2	FLA
[HP]	[A]
7.5	6.8
10	9.5
15	13.9
15	13.9
20	18.2