

Wilo-Para LIN



New OEM Communication standard

Tools and documentations about LIN available on our website
www.wilo-oem.com

Wilo-Para R

The OEM Safe Solution



The high-efficiency circulator series dedicated to heat pump applications using flammable refrigerant gases
For more information, feel free to ask for our Wilo-Para R flyer

Wilo-OEM Solutions

Let's move. Together.



With OEM Solutions, what is visionary is just a step away from reality. As the leading original equipment manufacturer, we see ourselves as part of your business and we know exactly how crucial your processes are. We work with you to develop customized innovative solutions making you a pioneer in your market. We produce these solutions for you at the time you choose, to sustainable, top quality. This will benefit your entire business. From senior management to purchasing. From logistics to research and development. Thanks to highly committed teamwork for your success.

Explore our solutions and develop the future with us !



Pioneering for You

Pioneering for You



Wilo-OEM Solutions

Wilo-Para

Designed for integration



Wilo Group
Strategic Business Unit OEM

Wilo Intec
50 av. Casella
F - 18700 Aubigny sur Nère
T +33 2 48 81 62 62
oem@wilo.com



www.wilo-oem.com



Wilo-Para * /SC



Wilo-Para: designed for your application

- High-efficiency pump Wilo-Para, electronically controlled.
- Maintenance-free glandless pump, synchronous motor according to ECM technology and integrated electronic power control for continuous differential pressure control.
- Can be used for all HVAC applications within temperature range -10°C to +95°C
- Easy integration through backwards compatibility and compact design
- Easy front access to the pump identification data
- Electrical connection with integrated 3ways connector type Molex
- Automatic deblocking routine

Wilo-Para Self Control

Standard-equipped with:

- Pre-set speed control for optimized load adjustment ($\Delta p-c$, $\Delta p-v$, n.const.)
- LED for status and error indication
- Smart functions accessible via green push button:
 - Air venting
 - Restart mode
 - Lock unlock HMI

Wilo-Para External Control

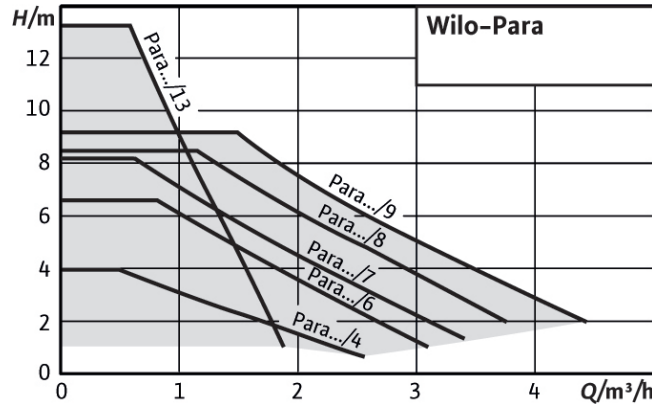
- Improved control, efficiency and safety of the application via iPWM or LIN Bus protocol
- Easy replacement thanks to front access to the signal connector



Wilo-Para * /iPWM or LIN Bus



Dutychart



→ Also available as hybrid version Wilo-Para STG and as sanitary version Wilo-Para Z :

The all-in-one



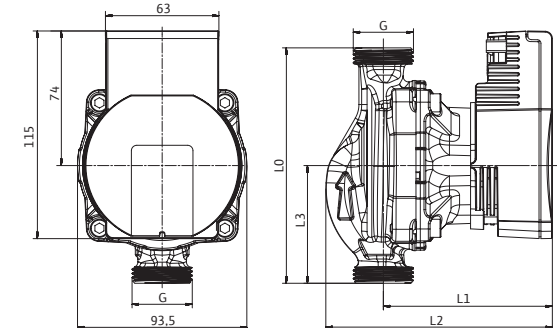
Wilo-Para STG



Wilo-Para Z

Wilo-Para 4, 6, 7, 8, 9, 13

Dimensions



Type	G	L0	L1	L2	L3
		mm	mm	mm	mm
15-130/4	G 1	130	94	125	65
15-130/6 or 7	G 1	130	94	125	65
15-130/8	G 1	130	105	137	65
15-130/13	G 1	130	105	137	65
25-130/4	G 1½	130	94	127	65
25-130/6 or 7	G 1½	130	94	127	65
25-130/8	G 1½	130	105	138	65
25-130/9	G 1½	130	105	141.3	65
25-180/6 or 7	G 1½	180	94	127	90
25-180/8	G 1½	180	105	138	90
25-180/9	G 1½	180	105	141.3	90
30-180/6 or 7	G 2	180	94	127	90
30-180/8	G 2	180	105	138	90

Power consumption (according to series)

Wilo-Para*/SC	
Wilo-Para *-*/4-20/SC	3-20W
Wilo-Para *-*/6-43/SC	3-43W
Wilo-Para *-*/7-50/SC	6-50W
Wilo-Para *-*/8-75/SC	10-75W
Wilo-Para *-*/9-87/SC	13-87W
Wilo-Para *-*/4-20/iPWM	
Wilo-Para *-*/6-43/iPWM or LIN	1-43W
Wilo-Para *-*/7-50/iPWM or LIN	1-50W
Wilo-Para *-*/8-75/iPWM or LIN	2-75W
Wilo-Para *-*/9-87/iPWM	3-87W
Wilo-Para *-*/13-75/iPWM	2-75W

Technical data (standard cast iron pump housing)

EEL	≤ 0.20 (4,6,7) / ≤ 0.21 / ≤ 0.23 (13)
@ max. ambient Temp. +40°C	-10°C ⁽¹⁾ to +95°C
Nominal pressure	PN10
Main voltage	1-230V 50/60Hz
Protection class	IPx4D
	(1) For negative temperature with adapted fluids

Approved fluids

Heating water acc. to VDI 2035	Yes
Water-flycol mixtures	Yes