

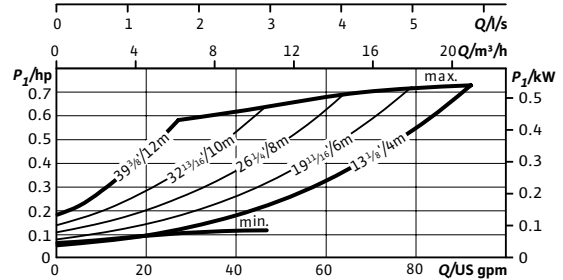
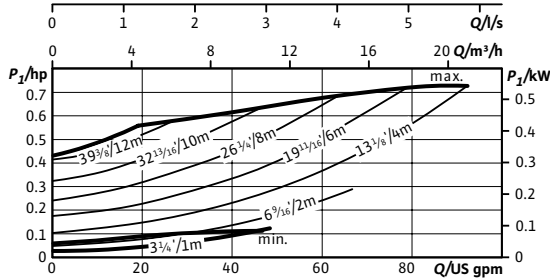
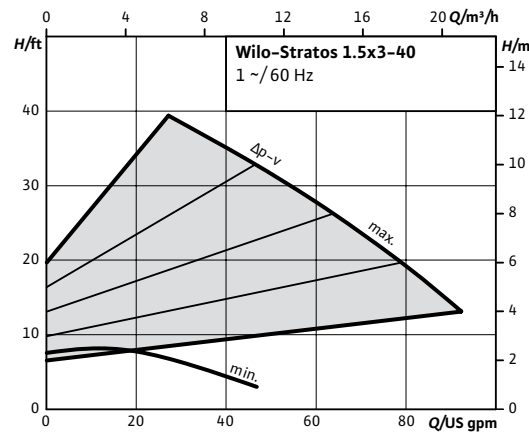
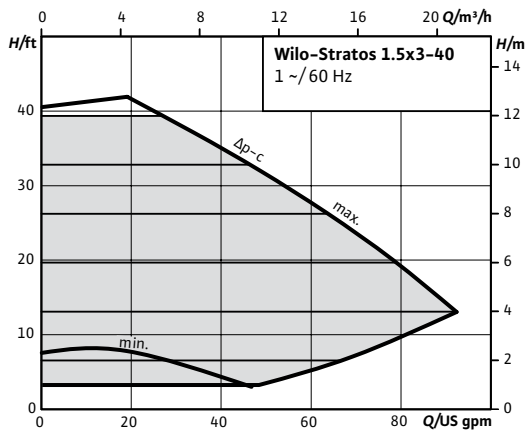
Submittal Data Sheet

Wilco Stratos - High Efficiency Circulators



Stratos 1.5x3-40

		Project:					
	Engineer:						
	Contractor:						
	Submitted By:			Date:			
	Approved By:			Date:			
Tag #	Model #	Flow	Head	Control Mode	Cycle	Phase	Voltage
	Stratos 1.5x3-40				60Hz	1	230



Technical Data

Liquid Temp Range	14°F to 230°F (-10°C to 110°C)
Max Temperature	104°F (40°C)
Min. Suction Pressure (122°F)	7.1 PSI
Min. Suction Pressure (203°F)	17.1 PSI
Min. Suction Pressure (230°F)	25.6 PSI

Materials of Construction

Pump Volute	Grey Cast Iron (EN-GJL-250)
Impeller	Engineered Composite (PPS - 40% GF)
Shaft	Stainless Steel (X46Cr13)
Bearing	Carbon, Metal Impregnated

IR Module Selection

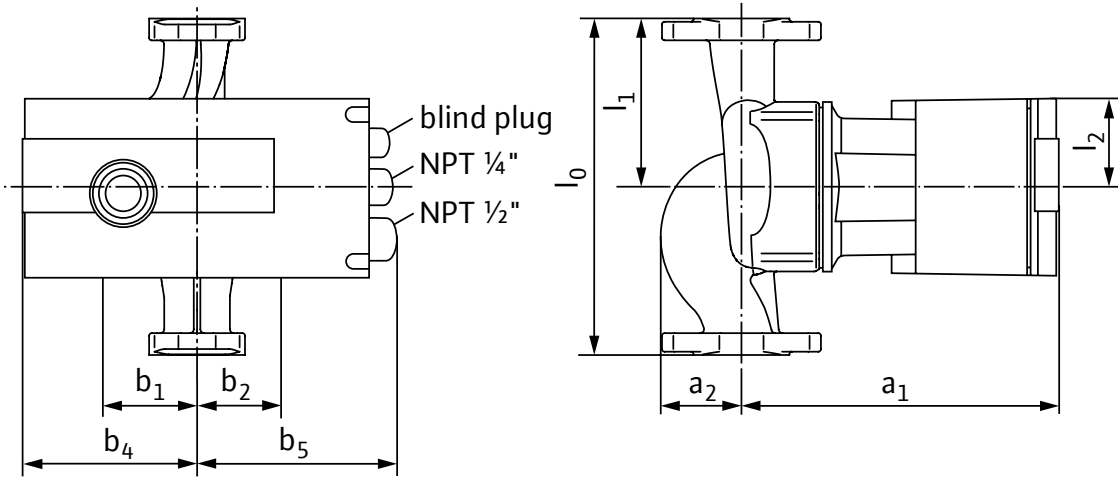
Module 1	Module
	BACnet / Dual Pump
	LONworks / Dual Pump
	SBM Run Signal / Ext. Off / Dual Pump
	SBM Run Signal / 0-10v / Dual Pump
	Ext. Min / 0-10v / Dual Pump
	Ext. Off / 0-10v / Dual Pump
	None

Applications

<ul style="list-style-type: none"> Heating Systems Air Conditioning Solar Systems 	<ul style="list-style-type: none"> Cooling Circuits Hydronic Heating & Cooling Geothermal Systems
--	--

Approval Stamp

Dimensions & Weights

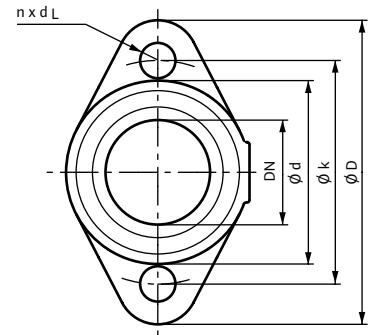


Dimensions and Weights

Model	Dimensions - Inches (mm)									Weight - lbs (kg)
	l_0	l_1	l_2	a_1	a_2	b_1	b_2	b_4	b_5	
Stratos 1.5x3-40	10	5	2 ⁵ / ₈	9 ¹⁵ / ₁₆	2 ⁷ / ₁₆	2 ⁷ / ₈	2 ¹ / ₂	4 ³ / ₄	6 ⁷ / ₁₆	24.25
	(254)	(127)	(66)	(252)	(62)	(73)	(64)	(120)	(163)	(11)

Flange Dimensions

Dimensions - Inches (mm)				
Dia.	$\varnothing D$	$\varnothing d$	$\varnothing k$	$n \times d_L$
1.5"	4 ³ / ₄	2 ⁷ / ₈	3 ¹ / ₂	2 x 9 ⁹ / ₁₆
	(121)	(73)	(89)	(2 x 14)



ECM Motor Data

Model	hp	Speed	Watts	FLA	FLA
		RPM	W	1~230V	3~230V
Stratos 1.5x3-40	0.469	1400-4600	25-470	0.20-2.05	0.20-2.05

