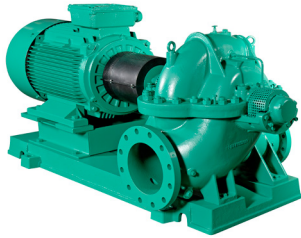


Submittal Data Sheet

Wilco SCP - Horizontal Split Case Pumps

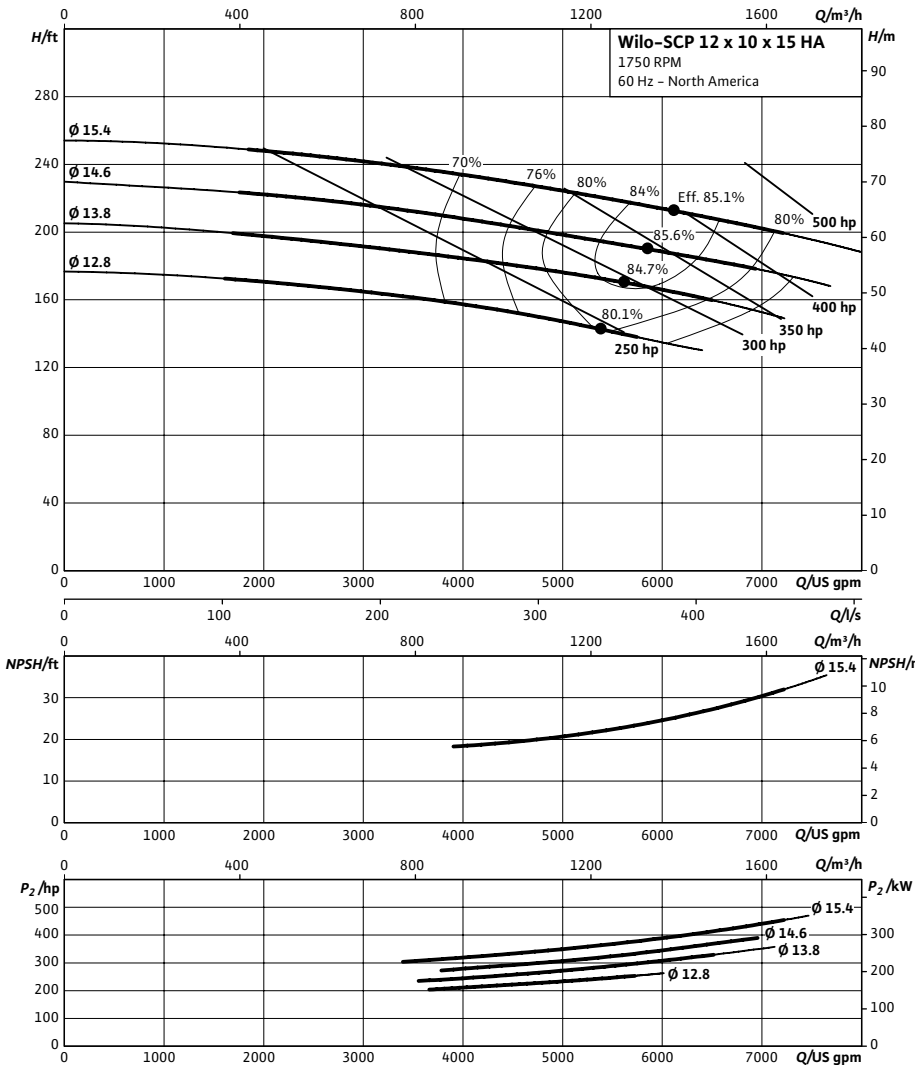


SCP 12 x 10 x 15 HA



Project:	
Engineer:	
Contractor:	
Submitted By:	Date:
Approved By:	Date:

Tag #	Model #	Flow (USGPM)	Head (Feet)	HP	Enclosure TEFC/ODP	Frame	Cycle	Phase	Voltage	RPM
	SCP 12 x 10 x 15 HA						60 Hz	3		



Technical Data

Approved Fluids

- Heating Water
- Cooling and cold water
- Water-Glycol mixtures (for 20-40% glycol and fluid temp $\leq 104^{\circ}\text{F}$ [40°C])

Fluid Temperature

- Mechanical Seal: 18°F to 250°F (-8°C to 120°C)
- Stuffing Box Packing: 18°F to 220°F (-8°C to 105°C)

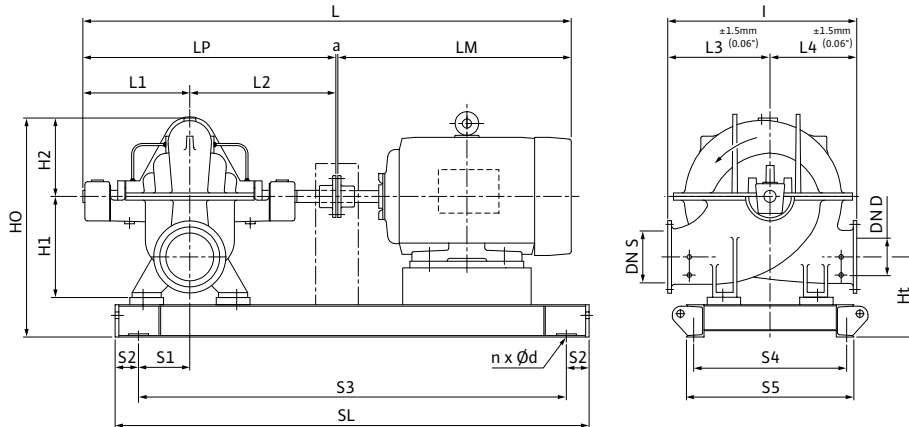
Materials of Construction

<input type="checkbox"/> Pump Housing	A48 Class 35
<input type="checkbox"/> Pump Housing (Optional)	Ni-resist BS 3468 Gr 2 / BS 2789 500.1
<input type="checkbox"/> Impeller	BS 84 C83 600
<input type="checkbox"/> Impeller (optional)	A48 Class 35 / BS 84 C83 600
<input type="checkbox"/> Stationary Wear Rings	BS 84 C93 700
<input type="checkbox"/> Pump Shaft	A276 type 410
<input type="checkbox"/> Pump Shaft (optional)	BS 970 316 S16
<input type="checkbox"/> Mechanical Seal	Carbon/silicon carbide/EPDM (E1)
<input type="checkbox"/> Other Mechanical Seals	Avail. on request
<input type="checkbox"/> Additional Spacer Coupling	Avail. on request
<input type="checkbox"/> Other:	

Approval Stamp

Dimensional Drawing

Single Stage Pump



SCP 12 x 10 x 15 HA

Dimensions - Inches (mm)

Frame	a	L	I	L1	L2	L3	L4	LM	LP	H1	H2	HO	Ht	n	Ød	S1	S2	S3	S4	S5	SL	P5	P6
445T / 250 hp	.19 (5)	92.31 (2345)	35.31 (897)	19.88 (505)	24.50 (622)	20.38 (518)	14.94 (380)	47.75 (1213)	44.38 (1127)	21.25 (540)	13.38 (340)	40.44 (1027)	14.44 (367)	4	.91 (23)	8.19 (208)	4.00 (102)	65.81 (1672)	21.56 (548)	23.88 (607)	73.94 (1878)	-	-
445T / 300 hp	.19 (5)	98.00 (2489)	35.31 (897)	19.88 (505)	24.50 (622)	20.38 (518)	14.94 (380)	53.38 (1356)	44.38 (1127)	21.25 (540)	13.38 (340)	40.44 (1027)	14.44 (367)	4	.91 (23)	8.19 (208)	4.00 (102)	65.81 (1672)	21.56 (548)	23.88 (607)	73.94 (1878)	-	-
449T / 350 hp	.19 (5)	98.00 (2489)	35.31 (897)	19.88 (505)	24.50 (622)	20.38 (518)	14.94 (380)	53.38 (1356)	44.38 (1127)	21.25 (540)	13.38 (340)	40.44 (1027)	14.44 (367)	4	.91 (23)	8.19 (208)	4.00 (102)	74.19 (1884)	21.06 (535)	23.38 (593)	82.19 (2088)	-	-
449T / 400 hp	.19 (5)	98.00 (2489)	35.31 (897)	19.88 (505)	24.50 (622)	20.38 (518)	14.94 (380)	53.38 (1356)	44.38 (1127)	21.25 (540)	13.38 (340)	40.44 (1027)	14.44 (367)	4	.91 (23)	8.19 (208)	4.00 (102)	74.19 (1884)	21.06 (535)	23.38 (593)	82.19 (2088)	-	-

Flange Dimensions – Suction Side

Dimensions - Inches (mm)

DN S #125	ØD	Ød	Øk	b	n	D2
12	19 (483)	15.00 (381)	17.00 (432)	1.25 (32)	12	1.00 (25)

Flange Dimensions – Discharge Side

Dimensions - Inches (mm)

DN D 125#	ØD	Ød	Øk	b	n	D2
10	16.00 (406)	12.75 (324)	14.25 (362)	1.81 (30.16)	12	1.00 (25)

