

# Submittal Data Sheet

## Wilco SCP – Horizontal Split Case Pumps

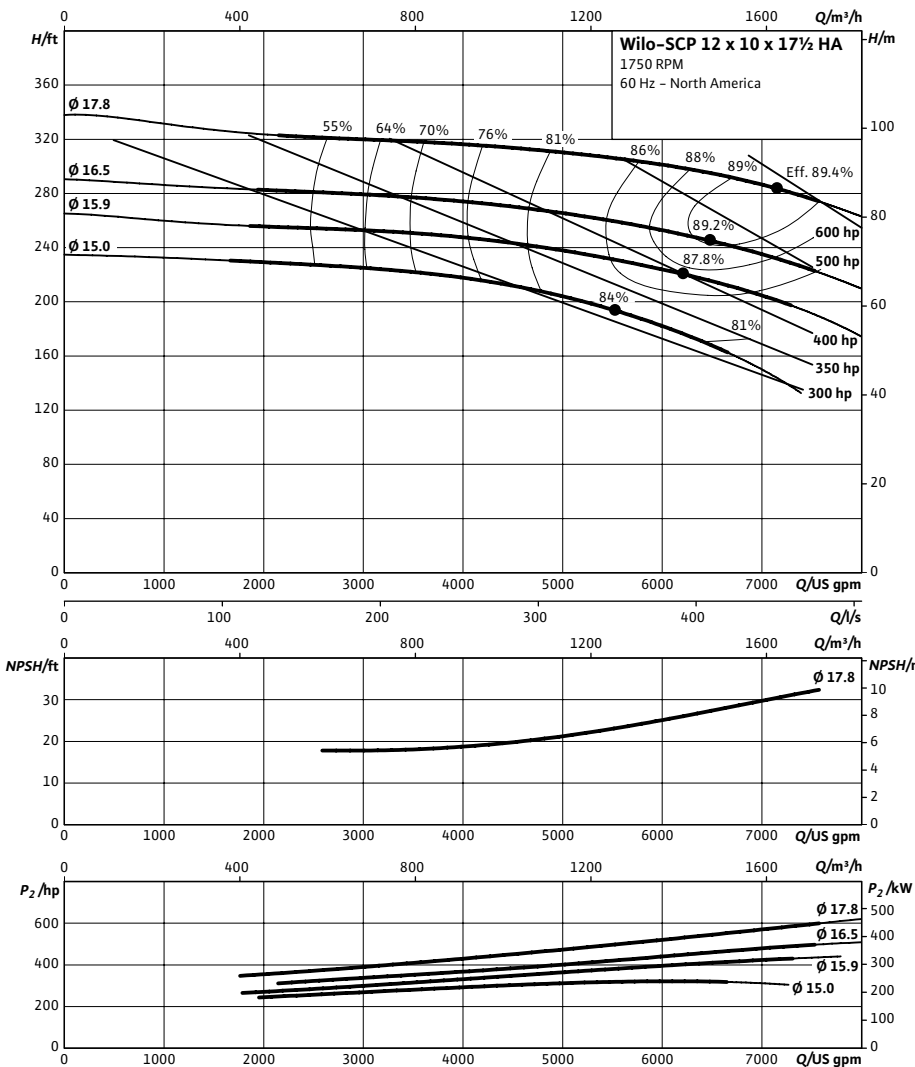


### SCP 12 x 10 x 17½ HA



Project:	
Engineer:	
Contractor:	
Submitted By:	Date:
Approved By:	Date:

Tag #	Model #	Flow (USGPM)	Head (Feet)	HP	Enclosure TEFC/ODP	Frame	Cycle	Phase	Voltage	RPM
	SCP 12 x 10 x 17½ HA						60 Hz	3		

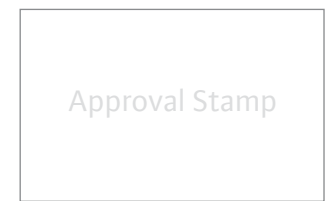


#### Technical Data

Approved Fluids	
Heating Water	
Cooling and cold water	
Water-Glycol mixtures (for 20–40% glycol and fluid temp ≤ 104°F [40°C])	
Fluid Temperature	
Mechanical Seal	18°F to 250°F (–8°C to 120°C)
Stuffing Box Packing	18°F to 220°F (–8°C to 105°C)

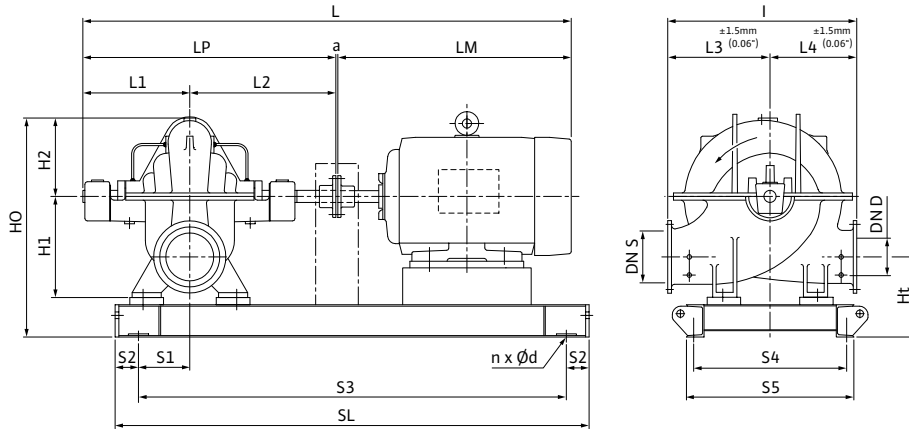
#### Materials of Construction

<input type="checkbox"/>	Pump Housing	A48 Class 35
<input type="checkbox"/>	Pump Housing (Optional)	Ni-resist BS 3468 Gr 2 / BS 2789 500.1
<input type="checkbox"/>	Impeller	BS 84 C83 600
<input type="checkbox"/>	Impeller (optional)	A48 Class 35 / BS 84 C83 600
<input type="checkbox"/>	Stationary Wear Rings	BS 84 C93 700
<input type="checkbox"/>	Pump Shaft	A276 type 410
<input type="checkbox"/>	Pump Shaft (optional)	BS 970 316 S16
<input type="checkbox"/>	Mechanical Seal	Carbon/silicon carbide/EPDM (E1)
<input type="checkbox"/>	Other Mechanical Seals	Avail. on request
<input type="checkbox"/>	Additional Spacer Coupling	Avail. on request
<input type="checkbox"/>	Other:	



**Dimensional Drawing**

**Single Stage Pump**



**SCP 12 x 10 x 17½ HA**

Dimensions - Inches (mm)																							
Frame	a	L	I	L1	L2	L3	L4	LM	LP	H1	H2	HO	Ht	n	Ød	S1	S2	S3	S4	S5	SL	P5	P6
445T/ 300 hp	.19 (5)	104.25 (2648)	39.00 (991)	23.38 (594)	27.31 (694)	21.00 (533)	18.00 (457)	53.38 (1356)	50.69 (1288)	21.50 (546)	14.94 (379)	43.38 (1102)	14.94 (379)	4	.91 (23)	9.75 (248)	4.00 (102)	70.25 (1784)	23.63 (600)	26.38 (670)	78.25 (1988)	-	-
449T/ 350 hp	.19 (5)	104.25 (2648)	39.00 (991)	23.38 (594)	27.31 (694)	21.00 (533)	18.00 (457)	53.38 (1356)	50.69 (1288)	21.50 (546)	14.94 (379)	43.38 (1102)	14.94 (379)	4	.91 (23)	9.75 (248)	4.00 (102)	78.50 (1994)	23.63 (600)	26.38 (670)	86.50 (2197)	-	-
449T/ 400 hp	.19 (5)	104.25 (2648)	39.00 (991)	23.38 (594)	27.31 (694)	21.00 (533)	18.00 (457)	53.38 (1356)	50.69 (1288)	21.50 (546)	14.94 (379)	43.38 (1102)	14.94 (379)	4	.91 (23)	9.75 (248)	4.00 (102)	78.50 (1994)	23.63 (600)	26.38 (670)	86.50 (2197)	-	-

**Flange Dimensions - Suction Side**

Dimensions - Inches (mm)						
DN S #125	ØD	Ød	Øk	b	n	D2
12	19 (483)	15.00 (381)	17.00 (432)	1.25 (32)	12	1.00 (25)

**Flange Dimensions - Discharge Side**

Dimensions - Inches (mm)						
DN D 125#	ØD	Ød	Øk	b	n	D2
10	16.00 (406)	12.75 (324)	14.25 (362)	1.81 (30.16)	12	1.00 (25)

