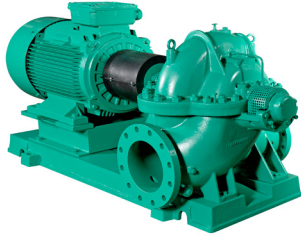


Submittal Data Sheet

Wilco SCP - Horizontal Split Case Pumps

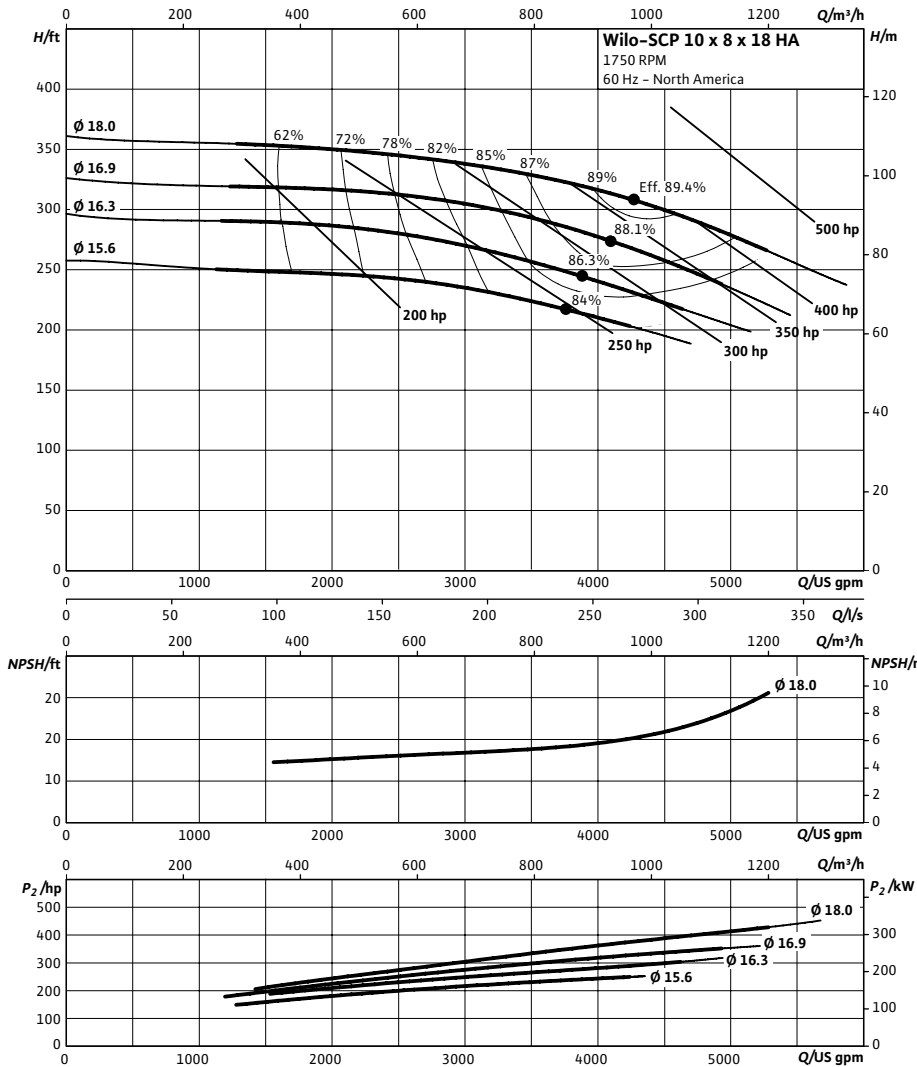


SCP 10 x 8 x 18 HA



| | |
|---------------|-------|
| Project: | |
| Engineer: | |
| Contractor: | |
| Submitted By: | Date: |
| Approved By: | Date: |

| Tag # | Model # | Flow (USGPM) | Head (Feet) | HP | Enclosure TEFC/ODP | Frame | Cycle | Phase | Voltage | RPM |
|-------|--------------------|--------------|-------------|----|--------------------|-------|-------|-------|---------|-----|
| | SCP 10 x 8 x 18 HA | | | | | | 60 Hz | 3 | | |



Technical Data

Approved Fluids

Heating Water
Cooling and cold water

Water-Glycol mixtures (for 20-40% glycol and fluid temp ≤ 104°F [40°C])

Fluid Temperature

Mechanical Seal: 18°F to 250°F (-8°C to 120°C)
Stuffing Box Packing: 18°F to 220°F (-8°C to 105°C)

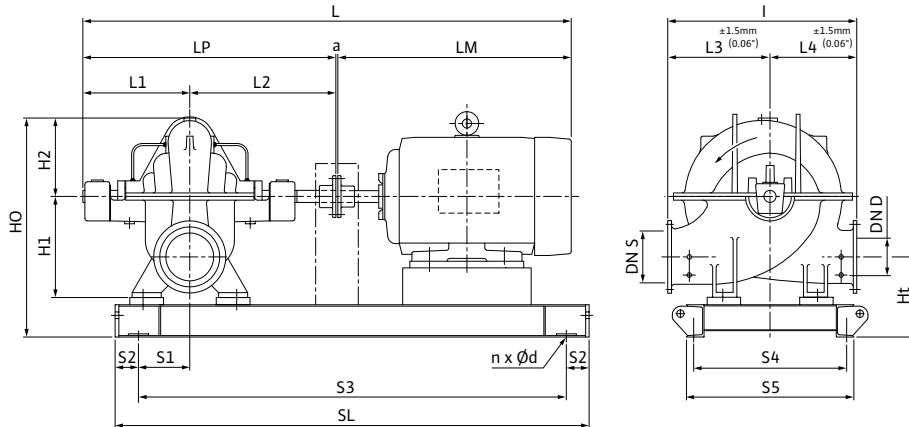
Materials of Construction

| | | |
|--------------------------|----------------------------|--|
| <input type="checkbox"/> | Pump Housing | A48 Class 35 |
| <input type="checkbox"/> | Pump Housing (Optional) | Ni-resist BS 3468 Gr 2 / BS 2789 500.1 |
| <input type="checkbox"/> | Impeller | BS 84 C83 600 |
| <input type="checkbox"/> | Impeller (optional) | A48 Class 35 / BS 84 C83 600 |
| <input type="checkbox"/> | Stationary Wear Rings | BS 84 C93 700 |
| <input type="checkbox"/> | Pump Shaft | A276 type 410 |
| <input type="checkbox"/> | Pump Shaft (optional) | BS 970 316 S16 |
| <input type="checkbox"/> | Mechanical Seal | Carbon/silicon carbide/EPDM (E1) |
| <input type="checkbox"/> | Other Mechanical Seals | Avail. on request |
| <input type="checkbox"/> | Additional Spacer Coupling | Avail. on request |
| <input type="checkbox"/> | Other: | |

Approval Stamp

Dimensional Drawing

Single Stage Pump



SCP 10 x 8 x 18 HA

Dimensions - Inches (mm)

| Frame | a | L | I | L1 | L2 | L3 | L4 | LM | LP | H1 | H2 | HO | Ht | n | Ød | S1 | S2 | S3 | S4 | S5 | SL | P5 | P6 |
|------------------|-------------|-----------------|----------------|----------------|----------------|----------------|----------------|-----------------|-----------------|----------------|----------------|----------------|----------------|---|-------------|---------------|---------------|-----------------|----------------|----------------|-----------------|----|----|
| 445T / 200 hp | .50 (13) | 89.50 (2273) | 37.00 (940) | 20.69 (526) | 24.13 (613) | 19.00 (483) | 18.00 (457) | 44.25 (1124) | 44.75 (1137) | 18.25 (464) | 13.75 (349) | 37.88 (962) | 12.31 (313) | 4 | .91 (23) | 6.25 (159) | 4.00 (102) | 62.81 (1595) | 21.56 (548) | 23.88 (607) | 70.81 (1799) | - | - |
| 445T / 250 hp | .19 (5) | 92.69 (2354) | 37.00 (940) | 20.69 (526) | 24.13 (613) | 19.00 (483) | 18.00 (457) | 47.75 (1213) | 44.75 (1137) | 18.25 (464) | 13.75 (349) | 37.88 (962) | 12.31 (313) | 4 | .91 (23) | 6.25 (159) | 4.00 (102) | 63.56 (1614) | 21.56 (548) | 23.88 (607) | 71.56 (1818) | - | - |
| 445T / 300 hp | .19 (5) | 98.38 (2499) | 37.00 (940) | 20.69 (526) | 24.13 (613) | 19.00 (483) | 18.00 (457) | 53.38 (1356) | 44.75 (1137) | 18.25 (464) | 13.75 (349) | 37.88 (962) | 12.31 (313) | 4 | .91 (23) | 6.25 (159) | 4.00 (102) | 63.56 (1614) | 21.56 (548) | 23.88 (607) | 71.56 (1818) | - | - |
| 449T / 350 hp | .19 (5) | 98.38 (2499) | 37.00 (940) | 20.69 (526) | 24.13 (613) | 19.00 (483) | 18.00 (457) | 53.38 (1356) | 44.75 (1137) | 18.25 (464) | 13.75 (349) | 37.88 (962) | 12.31 (313) | 4 | .91 (23) | 6.25 (159) | 4.00 (102) | 71.81 (1824) | 21.56 (548) | 23.88 (607) | 79.81 (2027) | - | - |
| 449T / 400 hp | .19 (5) | 98.38 (2499) | 37.00 (940) | 20.69 (526) | 24.13 (613) | 19.00 (483) | 18.00 (457) | 53.38 (1356) | 44.75 (1137) | 18.25 (464) | 13.75 (349) | 37.88 (962) | 12.31 (313) | 4 | .91 (23) | 6.25 (159) | 4.00 (102) | 71.81 (1824) | 21.56 (548) | 23.88 (607) | 79.81 (2027) | - | - |

Flange Dimensions – Suction Side

Dimensions - Inches (mm)

| DN S #125 | ØD | Ød | Øk | b | n | D2 |
|-----------|----------------|----------------|----------------|--------------|----|--------------|
| 10 | 16.00 (406) | 12.75 (324) | 14.25 (362) | 1.19 (30) | 12 | 1.00 (25) |

Flange Dimensions – Discharge Side

Dimensions - Inches (mm)

| DND 125# | ØD | Ød | Øk | b | n | D2 |
|----------|----------------|----------------|----------------|--------------|---|-------------|
| 8 | 13.50 (343) | 10.63 (270) | 11.75 (298) | 1.13 (29) | 8 | .88 (22) |

