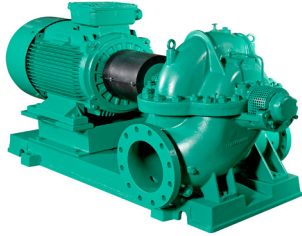


Submittal Data Sheet

Wilo SCP – Horizontal Split Case Pumps

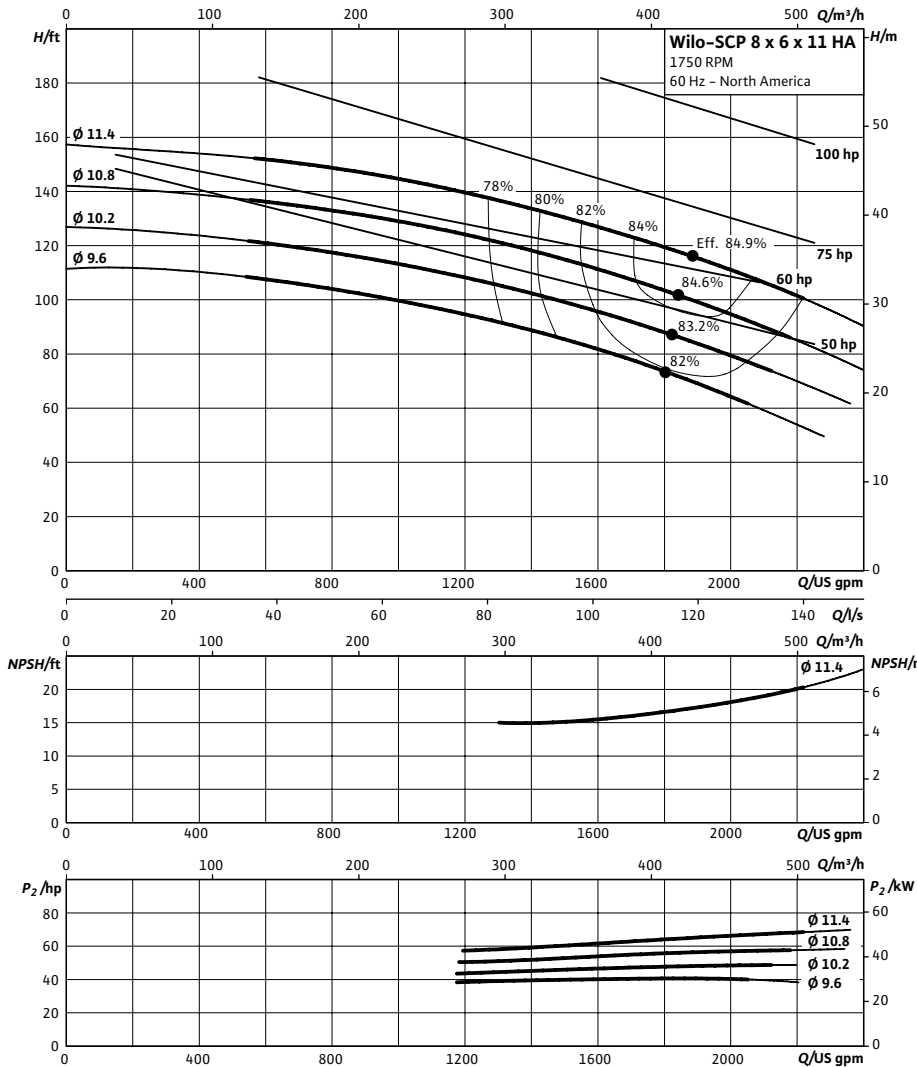


SCP 8 x 6 x 11 HA



Project:	
Engineer:	
Contractor:	
Submitted By:	Date:
Approved By:	Date:

Tag #	Model #	Flow (USGPM)	Head (Feet)	HP	Enclosure TEFC/ODP	Frame	Cycle	Phase	Voltage	RPM
	SCP 8 x 6 x 11 HA						60 Hz	3		



Technical Data

Approved Fluids

Heating Water
Cooling and cold water

Water-Glycol mixtures (for 20–40% glycol and fluid temp \leq 104°F [40°C])

Fluid Temperature

Mechanical Seal: 18°F to 250°F (–8°C to 120°C)
Stuffing Box Packing: 18°F to 220°F (–8°C to 105°C)

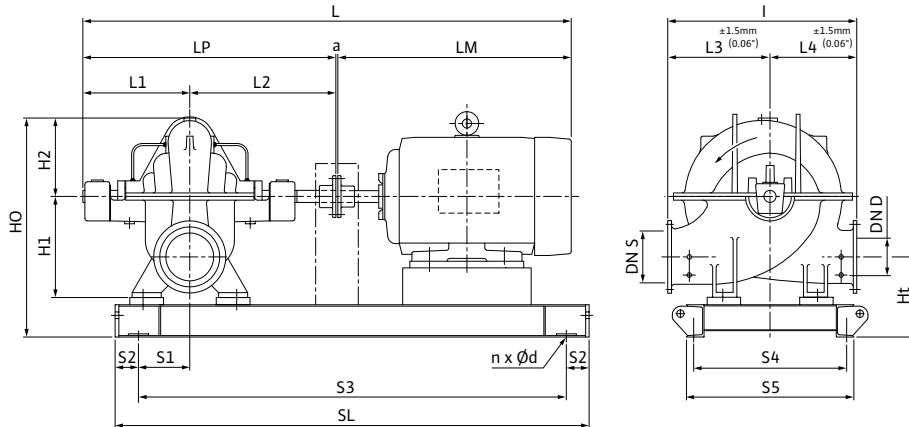
Materials of Construction

<input type="checkbox"/>	Pump Housing	A48 Class 35
<input type="checkbox"/>	Pump Housing (Optional)	Ni-resist BS 3468 Gr 2 / BS 2789 500.1
<input type="checkbox"/>	Impeller	BS 84 C83 600
<input type="checkbox"/>	Impeller (optional)	A48 Class 35 / BS 84 C83 600
<input type="checkbox"/>	Stationary Wear Rings	BS 84 C93 700
<input type="checkbox"/>	Pump Shaft	A276 type 410
<input type="checkbox"/>	Pump Shaft (optional)	BS 970 316 S16
<input type="checkbox"/>	Mechanical Seal	Carbon/silicon carbide/EPDM (E1)
<input type="checkbox"/>	Other Mechanical Seals	Avail. on request
<input type="checkbox"/>	Additional Spacer Coupling	Avail. on request
<input type="checkbox"/>	Other:	

Approval Stamp

Dimensional Drawing

Single Stage Pump



SCP 8 x 6 x 11 HA

Dimensions - Inches (mm)

Frame	a	L	I	L1	L2	L3	L4	LM	LP	H1	H2	HO	Ht	n	Ød	S1	S2	S3	S4	S5	SL	P5	P6
326T	.50 (13)	64.50 (1638)	24.19 (614)	15.63 (397)	18.06 (459)	13.75 (349)	10.44 (265)	30.38 (772)	33.63 (854)	14.94 (379)	10.06 (256)	30.63 (778)	11.94 (303)	4	.91 (23)	3.88 (99)	4.00 (102)	43.81 (1112)	15.19 (386)	17.56 (446)	51.81 (1316)	-	-
364T	.50 (13)	67.13 (1705)	24.19 (614)	15.63 (397)	18.06 (459)	13.75 (349)	10.44 (265)	33.00 (838)	33.63 (854)	14.94 (379)	10.06 (256)	30.63 (778)	11.94 (303)	4	.91 (23)	3.88 (99)	4.00 (102)	45.31 (1151)	15.81 (402)	18.13 (461)	53.31 (1354)	-	-
365T	.50 (13)	67.13 (1705)	24.19 (614)	15.63 (397)	18.06 (459)	13.75 (349)	10.44 (265)	33.00 (838)	33.63 (854)	14.94 (379)	10.06 (256)	30.63 (778)	11.94 (303)	4	.91 (23)	3.88 (99)	4.00 (102)	45.31 (1151)	15.81 (402)	18.13 (461)	53.31 (1354)	-	-
404T	.50 (13)	71.38 (1813)	24.19 (614)	15.63 (397)	18.06 (459)	13.75 (349)	10.44 (265)	37.25 (946)	33.63 (854)	14.94 (379)	10.06 (256)	30.63 (778)	11.94 (303)	4	.91 (23)	3.88 (99)	4.00 (102)	49.25 (1251)	18.50 (470)	20.88 (530)	57.25 (1454)	-	-

Flange Dimensions – Suction Side

Dimensions - Inches (mm)

DN S #125	ØD	Ød	Øk	b	n	D2
8	13.50 (343)	10.63 (270)	11.75 (298)	1.13 (29)	8	.88 (22)

Flange Dimensions – Discharge Side

Dimensions - Inches (mm)

DN D 125#	ØD	Ød	Øk	b	n	D2
6	11.00 (279)	8.50 (216)	9.50 (241)	1.00 (25)	8	.88 (22)

