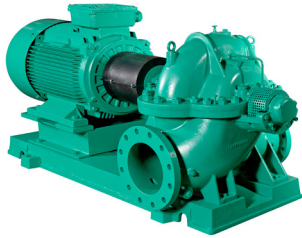


Submittal Data Sheet

Wilo SCP – Horizontal Split Case Pumps

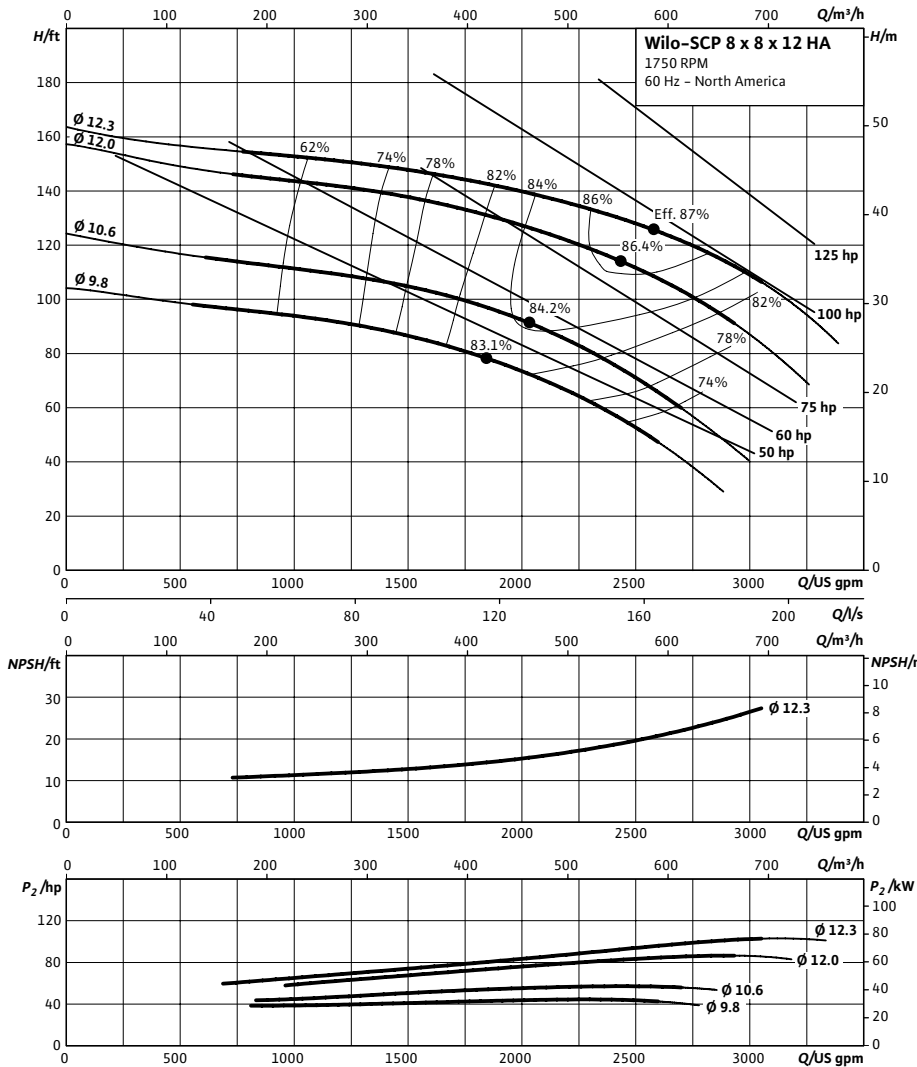


SCP 8 x 8 x 12 HA



Project:	
Engineer:	
Contractor:	
Submitted By:	Date:
Approved By:	Date:

Tag #	Model #	Flow (USGPM)	Head (Feet)	HP	Enclosure TEFC/ODP	Frame	Cycle	Phase	Voltage	RPM
	SCP 8 x 8 x 12 HA						60 Hz	3		



Technical Data

Approved Fluids

- Heating Water
- Cooling and cold water
- Water-Glycol mixtures (for 20–40% glycol and fluid temp ≤ 104°F [40°C])

Fluid Temperature

- Mechanical Seal: 18°F to 250°F (-8°C to 120°C)
- Stuffing Box Packing: 18°F to 220°F (-8°C to 105°C)

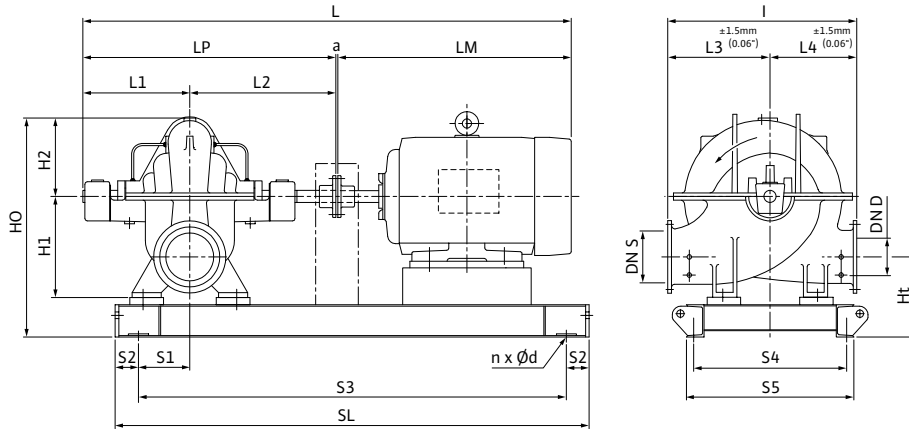
Materials of Construction

<input type="checkbox"/> Pump Housing	A48 Class 35
<input type="checkbox"/> Pump Housing (Optional)	Ni-resist BS 3468 Gr 2 / BS 2789 500.1
<input type="checkbox"/> Impeller	BS 84 C83 600
<input type="checkbox"/> Impeller (optional)	A48 Class 35 / BS 84 C83 600
<input type="checkbox"/> Stationary Wear Rings	BS 84 C93 700
<input type="checkbox"/> Pump Shaft	A276 type 410
<input type="checkbox"/> Pump Shaft (optional)	BS 970 316 S16
<input type="checkbox"/> Mechanical Seal	Carbon/silicon carbide/EPDM (E1)
<input type="checkbox"/> Other Mechanical Seals	Avail. on request
<input type="checkbox"/> Additional Spacer Coupling	Avail. on request
<input type="checkbox"/> Other:	

Approval Stamp

Dimensional Drawing

Single Stage Pump



SCP 8 x 8 x 12 HA

Dimensions - Inches (mm)

Frame	a	L	I	L1	L2	L3	L4	LM	LP	H1	H2	HO	Ht	n	Ød	S1	S2	S3	S4	S5	SL	P5	P6
326T	.50 (13)	65.75 (1651)	28.50 (724)	16.19 (411)	18.69 (475)	16.00 (406)	12.50 (318)	30.38 (772)	34.81 (884)	13.50 (343)	10.63 (270)	29.94 (761)	10.38 (264)	4	.91 (23)	6.25 (159)	4.00 (102)	46.81 (1189)	17.38 (441)	19.75 (502)	54.81 (1392)	-	-
364T	.50 (13)	68.38 (1737)	28.50 (724)	16.19 (411)	18.69 (475)	16.00 (406)	12.50 (318)	33.00 (838)	34.81 (884)	13.50 (343)	10.63 (270)	29.94 (761)	10.38 (264)	4	.91 (23)	6.25 (159)	4.00 (102)	48.31 (1227)	17.38 (441)	19.75 (502)	56.31 (1430)	-	-
365T	.50 (13)	68.38 (1737)	28.50 (724)	16.19 (411)	18.69 (475)	16.00 (406)	12.50 (318)	33.00 (838)	34.81 (884)	13.50 (343)	10.63 (270)	29.94 (761)	10.38 (264)	4	.91 (23)	6.25 (159)	4.00 (102)	48.31 (1227)	17.38 (441)	19.75 (502)	56.31 (1430)	-	-
404T	.50 (13)	72.56 (1843)	28.50 (724)	16.19 (411)	18.69 (475)	16.00 (406)	12.50 (318)	37.25 (946)	34.81 (884)	13.50 (343)	10.63 (270)	29.94 (761)	10.38 (264)	4	.91 (23)	6.25 (159)	4.00 (102)	52.25 (1327)	18.50 (470)	20.88 (530)	60.25 (1530)	-	-
405T	.50 (13)	72.56 (1843)	28.50 (724)	16.19 (411)	18.69 (475)	16.00 (406)	12.50 (318)	44.25 (1124)	34.81 (884)	13.50 (343)	10.63 (270)	29.94 (761)	10.38 (264)	4	.91 (23)	6.25 (159)	4.00 (102)	52.25 (1327)	18.50 (470)	20.88 (530)	60.25 (1530)	-	-

Flange Dimensions – Suction Side

Dimensions - Inches (mm)

DN S #125	ØD	Ød	Øk	b	n	D2
8	13.50 (343)	10.63 (270)	11.75 (298)	1.13 (29)	8	.88 (22)

Flange Dimensions – Discharge Side

Dimensions - Inches (mm)

DN D 125#	ØD	Ød	Øk	b	n	D2
8	13.50 (343)	10.63 (270)	11.75 (298)	1.13 (29)	8	.88 (22)

