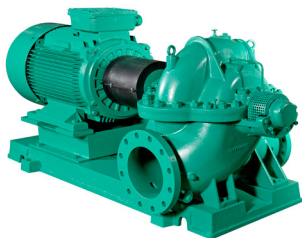


Submittal Data Sheet

Wilco SCP - Horizontal Split Case Pumps

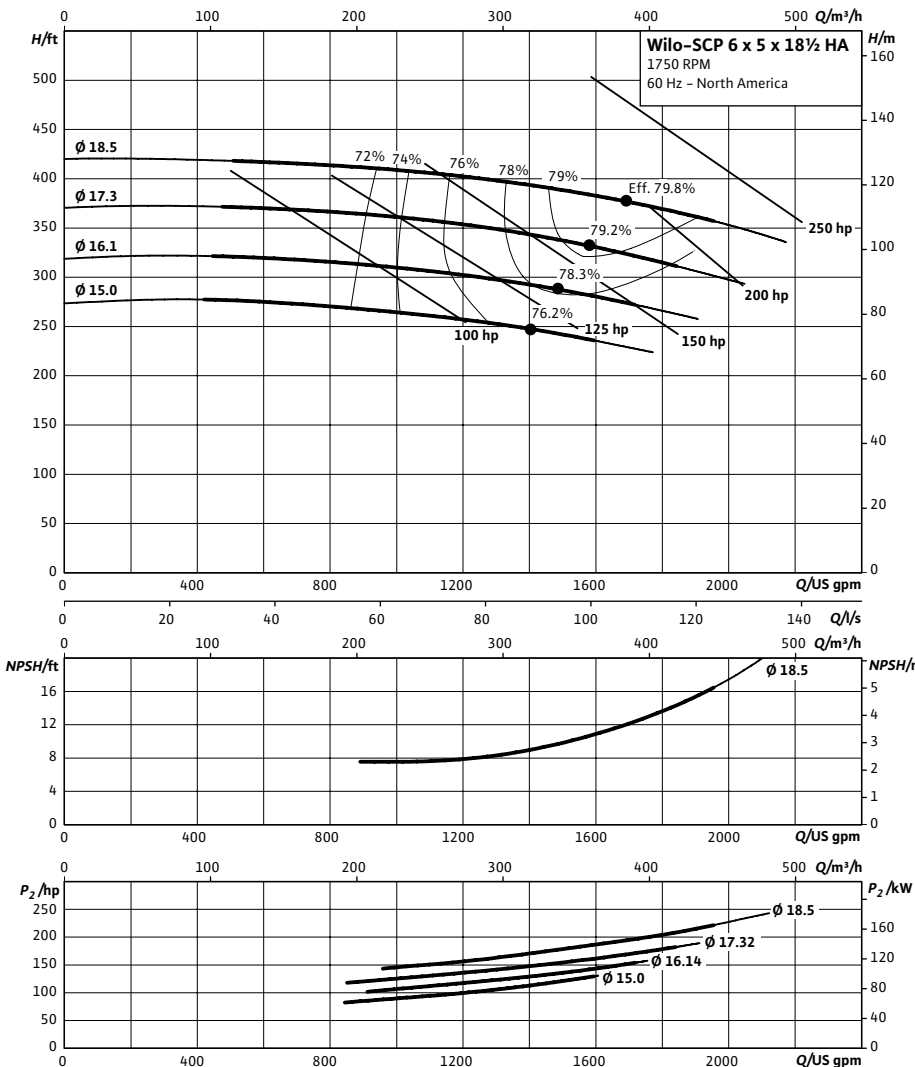


SCP 6 x 5 x 18½ HA



Project:	
Engineer:	
Contractor:	
Submitted By:	Date:
Approved By:	Date:

Tag #	Model #	Flow (USGPM)	Head (Feet)	HP	Enclosure TEFC/ODP	Frame	Cycle	Phase	Voltage	RPM
	SCP 6 x 5 x 18½ HA						60 Hz	3		



Technical Data

Approved Fluids

- Heating Water
- Cooling and cold water
- Water-Glycol mixtures (for 20-40% glycol and fluid temp \leq 104°F [40°C])

Fluid Temperature

- Mechanical Seal: 18°F to 250°F (-8°C to 120°C)
- Stuffing Box Packing: 18°F to 220°F (-8°C to 105°C)

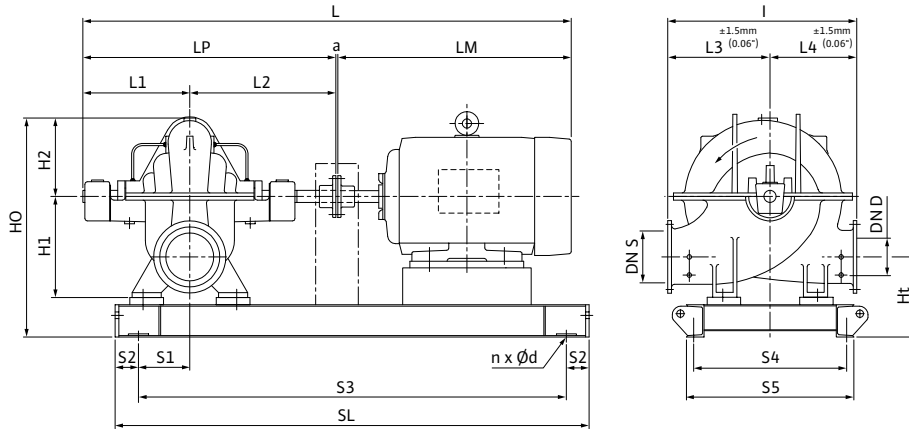
Materials of Construction

<input type="checkbox"/> Pump Housing	A48 Class 35
<input type="checkbox"/> Pump Housing (Optional)	Ni-resist BS 3468 Gr 2 / BS 2789 500.1
<input type="checkbox"/> Impeller	BS 84 C83 600
<input type="checkbox"/> Impeller (optional)	A48 Class 35 / BS 84 C83 600
<input type="checkbox"/> Stationary Wear Rings	BS 84 C93 700
<input type="checkbox"/> Pump Shaft	A276 type 410
<input type="checkbox"/> Pump Shaft (optional)	BS 970 316 S16
<input type="checkbox"/> Mechanical Seal	Carbon/silicon carbide/EPDM (E1)
<input type="checkbox"/> Other Mechanical Seals	Avail. on request
<input type="checkbox"/> Additional Spacer Coupling	Avail. on request
<input type="checkbox"/> Other:	

Approval Stamp

Dimensional Drawing

Single Stage Pump



SCP 6 x 5 x 18½ HA

Dimensions - Inches (mm)

Frame	a	L	I	L1	L2	L3	L4	LM	LP	H1	H2	HO	Ht	n	Ød	S1	S2	S3	S4	S5	SL	P5	P6
404T	.50 (13)	78.81 (2002)	32.31 (821)	19.00 (483)	22.06 (560)	16.56 (421)	15.75 (400)	37.25 (946)	41.06 (1043)	16.31 (414)	12.63 (320)	34.75 (883)	10.56 (268)	4	.91 (23)	5.81 (148)	4.00 (102)	55.25 (1403)	18.94 (481)	21.31 (541)	63.25 (1607)	-	-
405T	.50 (13)	85.81 (2180)	32.31 (821)	19.00 (483)	22.06 (560)	16.56 (421)	15.75 (400)	44.25 (1124)	41.06 (1043)	16.31 (414)	12.63 (320)	34.75 (883)	10.56 (268)	4	.91 (23)	5.81 (148)	4.00 (102)	55.25 (1403)	18.94 (481)	21.31 (541)	63.25 (1607)	-	-
444T	.50 (13)	85.81 (2180)	32.31 (821)	19.00 (483)	22.06 (560)	16.56 (421)	15.75 (400)	44.25 (1124)	41.06 (1043)	16.31 (414)	12.63 (320)	34.75 (883)	10.56 (268)	4	.91 (23)	5.81 (148)	4.00 (102)	60.38 (1534)	21.56 (548)	23.88 (607)	68.38 (1737)	-	-
445T / 200 hp	.50 (13)	85.81 (2180)	32.31 (821)	19.00 (483)	22.06 (560)	16.56 (421)	15.75 (400)	44.25 (1124)	41.06 (1043)	16.31 (414)	12.63 (320)	34.75 (883)	10.56 (268)	4	.91 (23)	5.81 (148)	4.00 (102)	60.38 (1534)	21.56 (548)	23.88 (607)	68.38 (1737)	-	-
445T / 250 hp	.19 (5)	89.00 (2261)	32.31 (821)	19.00 (483)	22.06 (560)	16.56 (421)	15.75 (400)	47.75 (1213)	41.06 (1043)	16.31 (414)	12.63 (320)	34.75 (883)	10.56 (268)	4	.91 (23)	5.81 (148)	4.00 (102)	60.06 (1526)	21.56 (548)	23.88 (607)	68.06 (1728)	-	-
445T / 300 hp	.19 (5)	94.69 (2405)	32.31 (821)	19.00 (483)	22.06 (560)	16.56 (421)	15.75 (400)	53.38 (1356)	41.06 (1043)	16.31 (414)	12.63 (320)	34.75 (883)	10.56 (268)	4	.91 (23)	5.81 (148)	4.00 (102)	60.06 (1526)	21.56 (548)	23.88 (607)	68.06 (1728)	-	-

Flange Dimensions – Suction Side

Dimensions - Inches (mm)

DN S #125	ØD	Ød	Øk	b	n	D2
6	11.00 (279)	8.50 (216)	9.50 (241)	1.00 (25)	8	.88 (22)

Flange Dimensions – Discharge Side

Dimensions - Inches (mm)

DN D 125#	ØD	Ød	Øk	b	n	D2
5	10.00 (254)	7.31 (186)	8.50 (216)	.94 (24)	8	.88 (22)

