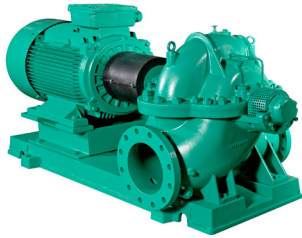


# Submittal Data Sheet

## Wilco SCP - Horizontal Split Case Pumps

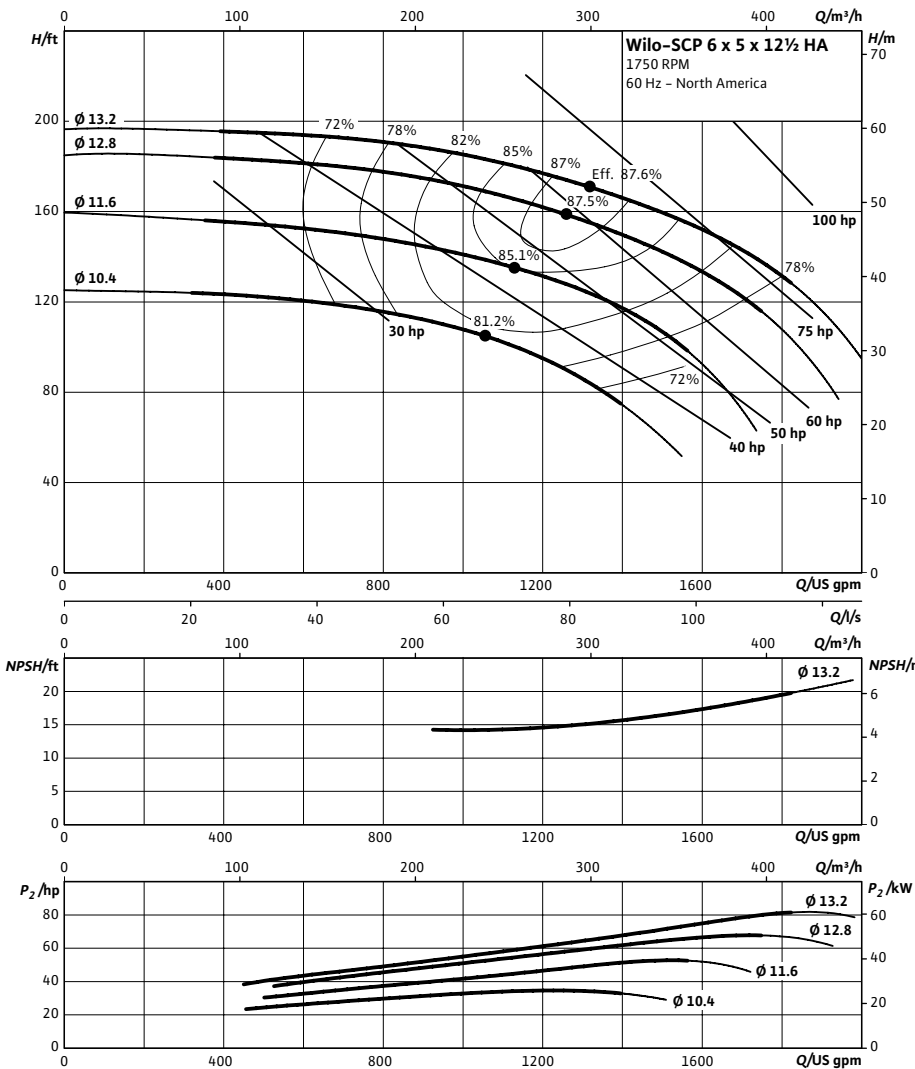


### SCP 6 x 5 x 12½ HA



|               |       |
|---------------|-------|
| Project:      |       |
| Engineer:     |       |
| Contractor:   |       |
| Submitted By: | Date: |
| Approved By:  | Date: |

| Tag # | Model #            | Flow (USGPM) | Head (Feet) | HP | Enclosure TEFC/ODP | Frame | Cycle | Phase | Voltage | RPM |
|-------|--------------------|--------------|-------------|----|--------------------|-------|-------|-------|---------|-----|
|       | SCP 6 x 5 x 12½ HA |              |             |    |                    |       | 60 Hz | 3     |         |     |



#### Technical Data

**Approved Fluids**

- Heating Water
- Cooling and cold water
- Water-Glycol mixtures (for 20-40% glycol and fluid temp ≤ 104°F [40°C])

**Fluid Temperature**

- Mechanical Seal: 18°F to 250°F (-8°C to 120°C)
- Stuffing Box Packing: 18°F to 220°F (-8°C to 105°C)

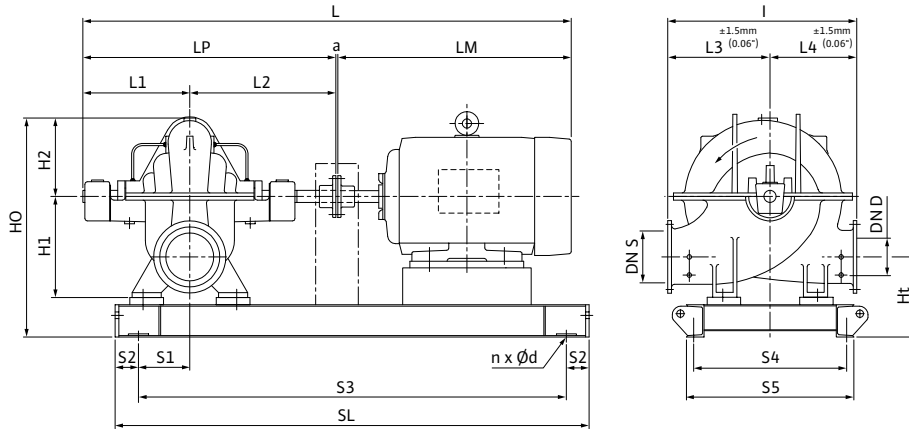
#### Materials of Construction

|   |  |
|---|--|
| <input type="checkbox"/> Pump Housing               | A48 Class 35                           |
| <input type="checkbox"/> Pump Housing (Optional)    | Ni-resist BS 3468 Gr 2 / BS 2789 500.1 |
| <input type="checkbox"/> Impeller                   | BS 84 C83 600                          |
| <input type="checkbox"/> Impeller (optional)        | A48 Class 35 / BS 84 C83 600           |
| <input type="checkbox"/> Stationary Wear Rings      | BS 84 C93 700                          |
| <input type="checkbox"/> Pump Shaft                 | A276 type 410                          |
| <input type="checkbox"/> Pump Shaft (optional)      | BS 970 316 S16                         |
| <input type="checkbox"/> Mechanical Seal            | Carbon/silicon carbide/EPDM (E1)       |
| <input type="checkbox"/> Other Mechanical Seals     | Avail. on request                      |
| <input type="checkbox"/> Additional Spacer Coupling | Avail. on request                      |
| <input type="checkbox"/> Other:                     |  |

Approval Stamp

**Dimensional Drawing**

**Single Stage Pump**



**SCP 6 x 5 x 12½ HA**

| Dimensions - Inches (mm) |             |                 |                |                |                |                |                |                |                |                |               |                |               |   |             |               |               |                 |                |                |                 |    |    |
|--------------------------|-------------|-----------------|----------------|----------------|----------------|----------------|----------------|----------------|----------------|----------------|---------------|----------------|---------------|---|-------------|---------------|---------------|-----------------|----------------|----------------|-----------------|----|----|
| Frame                    | a           | L               | I              | L1             | L2             | L3             | L4             | LM             | LP             | H1             | H2            | HO             | Ht            | n | Ød          | S1            | S2            | S3              | S4             | S5             | SL              | P5 | P6 |
| 286T                     | .50<br>(13) | 60.06<br>(1526) | 25.06<br>(637) | 15.63<br>(397) | 18.06<br>(459) | 13.75<br>(349) | 11.25<br>(286) | 25.94<br>(659) | 33.63<br>(854) | 12.63<br>(321) | 9.44<br>(240) | 27.69<br>(703) | 9.88<br>(251) | 4 | .91<br>(23) | 4.25<br>(108) | 4.00<br>(102) | 41.81<br>(1062) | 12.31<br>(313) | 14.63<br>(372) | 49.81<br>(1265) | -  | -  |
| 324T                     | .50<br>(13) | 54.50<br>(1638) | 25.06<br>(637) | 15.63<br>(397) | 18.06<br>(459) | 13.75<br>(349) | 11.25<br>(286) | 30.38<br>(772) | 33.63<br>(854) | 12.63<br>(321) | 9.44<br>(240) | 27.69<br>(703) | 9.88<br>(251) | 4 | .91<br>(23) | 4.25<br>(108) | 4.00<br>(102) | 44.19<br>(1122) | 14.31<br>(363) | 15.63<br>(422) | 52.19<br>(1326) | -  | -  |
| 326T                     | .50<br>(13) | 54.50<br>(1638) | 25.06<br>(637) | 15.63<br>(397) | 18.06<br>(459) | 13.75<br>(349) | 11.25<br>(286) | 30.38<br>(772) | 33.63<br>(854) | 12.63<br>(321) | 9.44<br>(240) | 27.69<br>(703) | 9.88<br>(251) | 4 | .91<br>(23) | 4.25<br>(108) | 4.00<br>(102) | 44.19<br>(1122) | 14.31<br>(363) | 15.63<br>(422) | 52.19<br>(1326) | -  | -  |
| 364T                     | .50<br>(13) | 67.13<br>(1705) | 25.06<br>(637) | 15.63<br>(397) | 18.06<br>(459) | 13.75<br>(349) | 11.25<br>(286) | 33.00<br>(838) | 33.63<br>(854) | 12.63<br>(321) | 9.44<br>(240) | 27.69<br>(703) | 9.88<br>(251) | 4 | .91<br>(23) | 4.25<br>(108) | 4.00<br>(102) | 45.69<br>(1161) | 15.81<br>(402) | 18.13<br>(461) | 53.69<br>(1364) | -  | -  |
| 365T                     | .50<br>(13) | 67.13<br>(1705) | 25.06<br>(637) | 15.63<br>(397) | 18.06<br>(459) | 13.75<br>(349) | 11.25<br>(286) | 33.00<br>(838) | 33.63<br>(854) | 12.63<br>(321) | 9.44<br>(240) | 27.69<br>(703) | 9.88<br>(251) | 4 | .91<br>(23) | 4.25<br>(108) | 4.00<br>(102) | 45.69<br>(1161) | 15.81<br>(402) | 18.13<br>(461) | 53.69<br>(1364) | -  | -  |
| 404T                     | .50<br>(13) | 71.38<br>(1813) | 25.06<br>(637) | 15.63<br>(397) | 18.06<br>(459) | 13.75<br>(349) | 11.25<br>(286) | 37.25<br>(946) | 33.63<br>(854) | 12.63<br>(321) | 9.44<br>(240) | 27.69<br>(703) | 9.88<br>(251) | 4 | .91<br>(23) | 4.25<br>(108) | 4.00<br>(102) | 49.69<br>(1262) | 18.50<br>(470) | 20.88<br>(530) | 57.69<br>(1465) | -  | -  |

**Flange Dimensions – Suction Side**

| Dimensions - Inches (mm) |                |               |               |              |   |             |
|--------------------------|----------------|---------------|---------------|--------------|---|-------------|
| DN S #125                | ØD             | Ød            | Øk            | b            | n | D2          |
| 6                        | 11.00<br>(279) | 8.50<br>(216) | 9.50<br>(241) | 1.00<br>(25) | 8 | .88<br>(22) |

**Flange Dimensions – Discharge Side**

| Dimensions - Inches (mm) |                |               |               |             |   |             |
|--------------------------|----------------|---------------|---------------|-------------|---|-------------|
| DN D 125#                | ØD             | Ød            | Øk            | b           | n | D2          |
| 5                        | 10.00<br>(254) | 7.31<br>(186) | 8.50<br>(216) | .94<br>(24) | 8 | .88<br>(22) |

