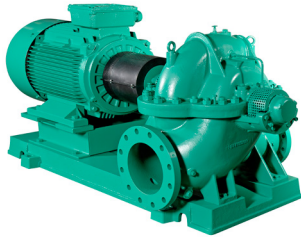


# Submittal Data Sheet

## Wilo SCP – Horizontal Split Case Pumps

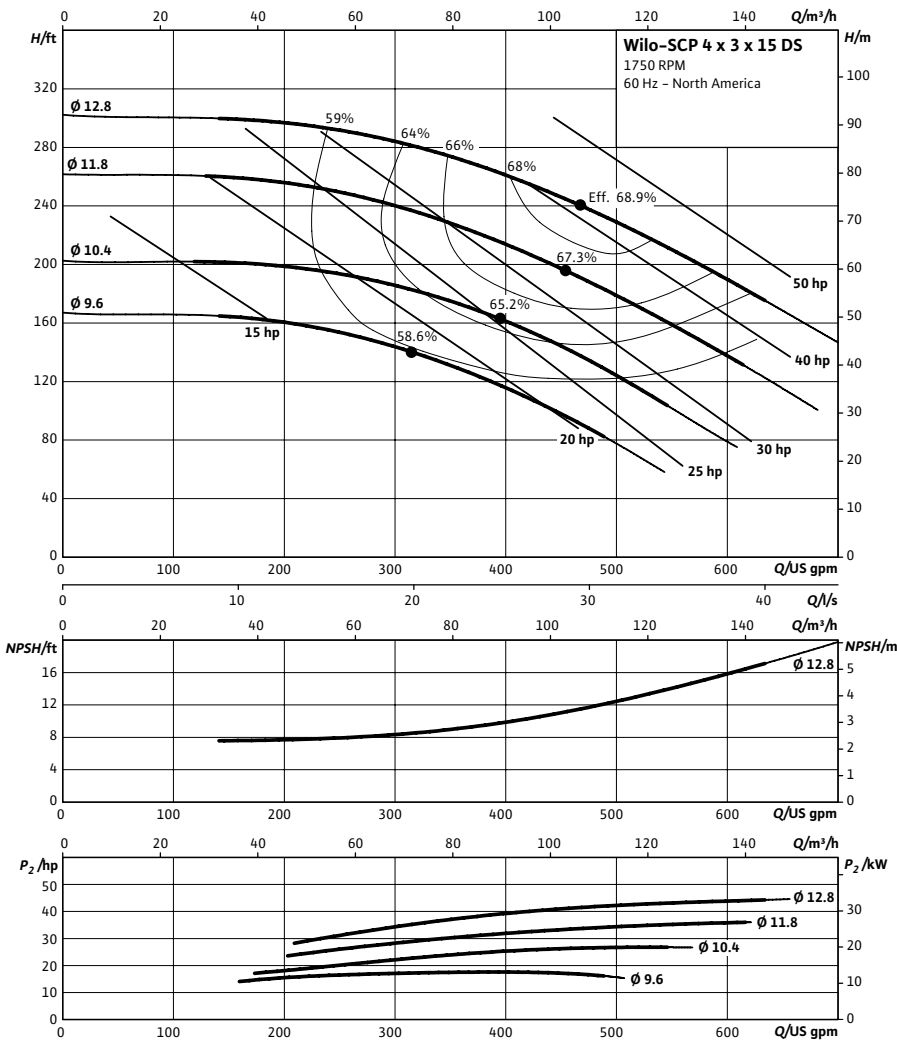


### SCP 4 x 3 x 15 DS



Project:	
Engineer:	
Contractor:	
Submitted By:	Date:
Approved By:	Date:

Tag #	Model #	Flow (USGPM)	Head (Feet)	HP	Enclosure TEFC/ODP	Frame	Cycle	Phase	Voltage	RPM
	SCP 4 x 3 x 15 DS						60 Hz	3		



#### Technical Data

##### Approved Fluids

Heating Water  
Cooling and cold water

Water-Glycol mixtures (for 20-40% glycol and fluid temp  $\leq 104^\circ\text{F}$  [ $40^\circ\text{C}$ ])

##### Fluid Temperature

Mechanical Seal:  $18^\circ\text{F}$  to  $250^\circ\text{F}$  ( $-8^\circ\text{C}$  to  $120^\circ\text{C}$ )  
Stuffing Box Packing:  $18^\circ\text{F}$  to  $220^\circ\text{F}$  ( $-8^\circ\text{C}$  to  $105^\circ\text{C}$ )

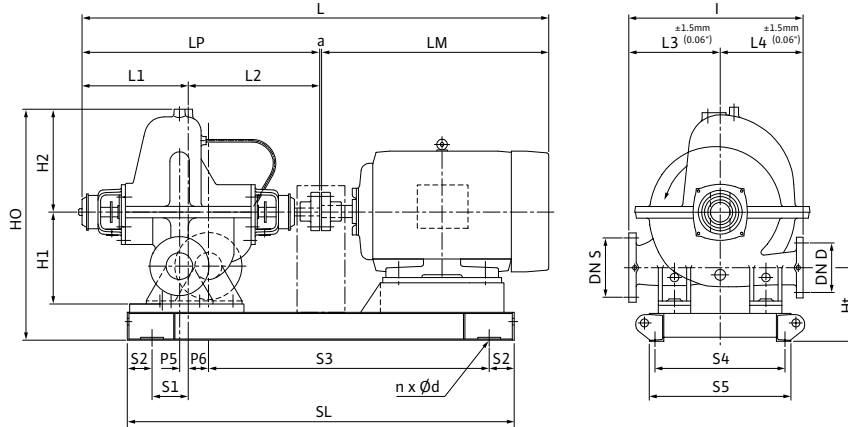
#### Materials of Construction

<input type="checkbox"/>	Pump Housing	A48 Class 35
<input type="checkbox"/>	Pump Housing (Optional)	Ni-resist BS 3468 Gr 2 / BS 2789 500.1
<input type="checkbox"/>	Impeller	BS 84 C83 600
<input type="checkbox"/>	Impeller (optional)	A48 Class 35 / BS 84 C83 600
<input type="checkbox"/>	Stationary Wear Rings	BS 84 C93 700
<input type="checkbox"/>	Pump Shaft	A276 type 410
<input type="checkbox"/>	Pump Shaft (optional)	BS 970 316 S16
<input type="checkbox"/>	Mechanical Seal	Carbon/silicon carbide/EPDM (E1)
<input type="checkbox"/>	Other Mechanical Seals	Avail. on request
<input type="checkbox"/>	Additional Spacer Coupling	Avail. on request
<input type="checkbox"/>	Other:	

Approval Stamp

Dimensional Drawing

Dual Stage Pump



SCP 4 x 3 x 15 DS

Dimensions - Inches (mm)

Frame	a	L	I	L1	L2	L3	L4	LM	LP	H1	H2	HO	Ht	n	Ød	S1	S2	S3	S4	S5	SL	P5	P6
254T	.50 (13)	56.25 (1249)	22.69 (579)	16.63 (422)	18.06 (459)	13.19 (335)	9.50 (241)	21.06 (535)	34.69 (881)	13.38 (340)	9.81 (249)	28.88 (734)	10.88 (276)	4	.91 (23)	3.69 (94)	4.00 (102)	37.38 (950)	11.31 (287)	13.63 (346)	45.38 (1153)	2.06 (52)	5.44 (138)
256T	.50 (13)	58.31 (1481)	22.69 (579)	16.63 (422)	18.06 (459)	13.19 (335)	9.50 (241)	23.19 (589)	34.69 (881)	13.38 (340)	9.81 (249)	28.88 (734)	10.88 (276)	4	.91 (23)	3.69 (94)	4.00 (102)	39.13 (994)	11.31 (287)	13.63 (346)	47.13 (1197)	2.06 (52)	5.44 (138)
284T	.50 (13)	61.13 (1553)	22.69 (579)	16.63 (422)	18.06 (459)	13.19 (335)	9.50 (241)	25.94 (689)	34.69 (881)	13.38 (340)	9.81 (249)	28.88 (734)	10.88 (276)	4	.91 (23)	3.69 (94)	4.00 (102)	41.25 (1048)	12.31 (313)	14.63 (372)	49.25 (1251)	2.06 (52)	5.44 (138)
286T	.50 (13)	61.13 (1553)	22.69 (579)	16.63 (422)	18.06 (459)	13.19 (335)	9.50 (241)	25.94 (689)	34.69 (881)	13.38 (340)	9.81 (249)	28.88 (734)	10.88 (276)	4	.91 (23)	3.69 (94)	4.00 (102)	41.25 (1048)	12.31 (313)	14.63 (372)	49.25 (1251)	2.06 (52)	5.44 (138)
324T	.50 (13)	65.56 (1665)	22.69 (579)	16.63 (422)	18.06 (459)	13.19 (335)	9.50 (241)	30.38 (772)	34.69 (881)	13.38 (340)	9.81 (249)	28.88 (734)	10.88 (276)	4	.91 (23)	3.69 (94)	4.00 (102)	43.63 (1108)	14.31 (363)	16.63 (422)	51.63 (1311)	2.06 (52)	5.44 (138)
326T	.50 (13)	65.56 (1665)	22.69 (579)	16.63 (422)	18.06 (459)	13.19 (335)	9.50 (241)	30.38 (772)	34.69 (881)	13.38 (340)	9.81 (249)	28.88 (734)	10.88 (276)	4	.91 (23)	3.69 (94)	4.00 (102)	43.63 (1108)	14.31 (363)	16.63 (422)	51.63 (1311)	2.06 (52)	5.44 (138)

Flange Dimensions – Suction Side

Dimensions - Inches (mm)

DN S #125	ØD	Ød	Øk	b	n	D2
4	9.00 (229)	6.19 (157)	7.50 (191)	.94 (24)	8	.75 (19)

Flange Dimensions – Discharge Side

Dimensions - Inches (mm)

DN D 125#	ØD	Ød	Øk	b	n	D2
3	7.50 (191)	5.50 (140)	6.00 (152)	.94 (24)	4	.75 (19)

