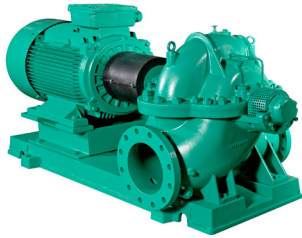


Submittal Data Sheet

Wilo SCP – Horizontal Split Case Pumps

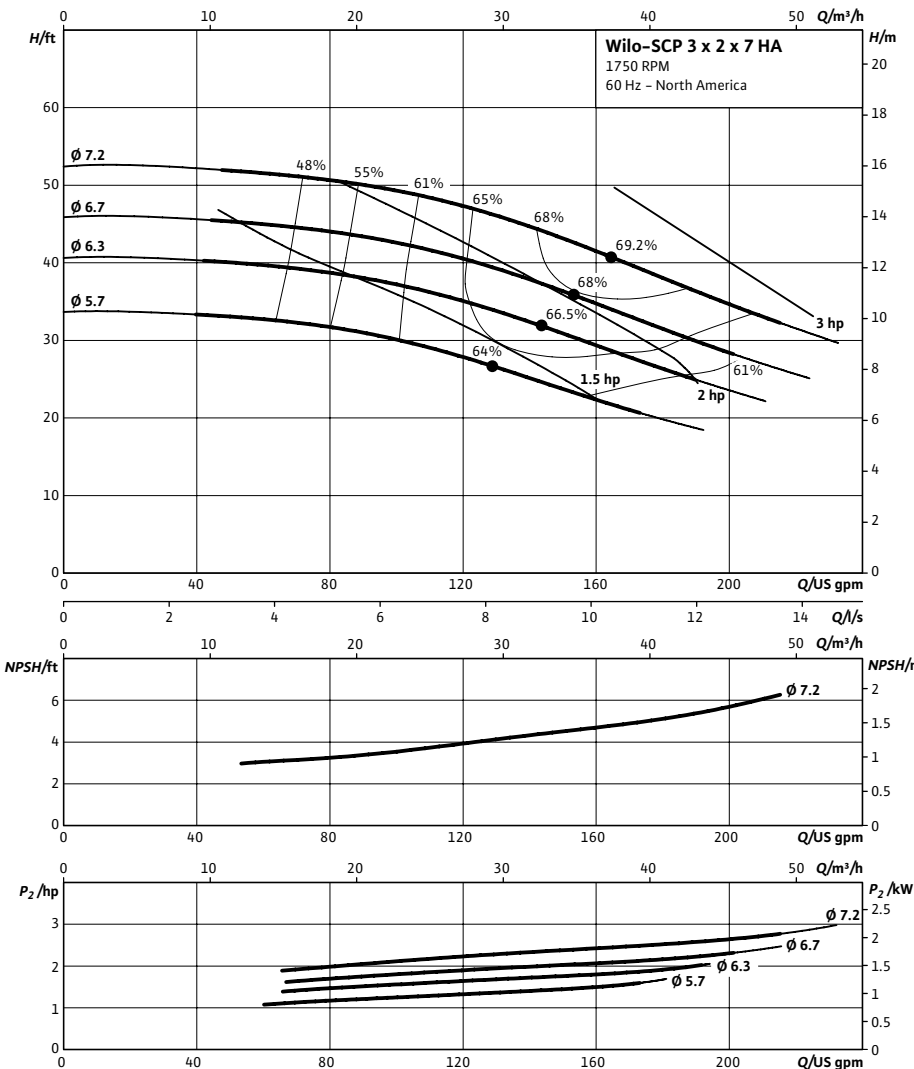


SCP 3 x 2 x 7 HA



Project:	
Engineer:	
Contractor:	
Submitted By:	Date:
Approved By:	Date:

Tag #	Model #	Flow (USGPM)	Head (Feet)	HP	Enclosure TEFC/ODP	Frame	Cycle	Phase	Voltage	RPM
	SCP 3 x 2 x 7 HA						60 Hz	3		



Technical Data

Approved Fluids	
Heating Water	
Cooling and cold water	
Water-Glycol mixtures (for 20–40% glycol and fluid temp ≤ 104°F [40°C])	
Fluid Temperature	
Mechanical Seal	18°F to 250°F (–8°C to 120°C)
Stuffing Box Packing	18°F to 220°F (–8°C to 105°C)

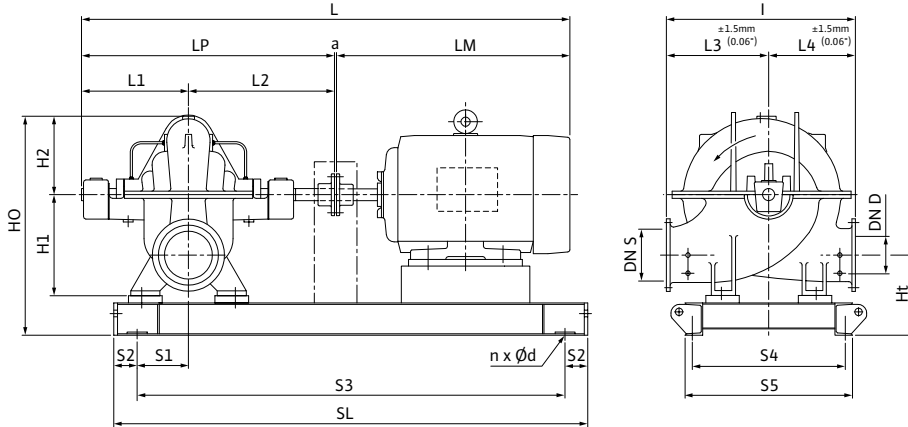
Materials of Construction

<input type="checkbox"/>	Pump Housing	A48 Class 35
<input type="checkbox"/>	Pump Housing (Optional)	Ni-resist BS 3468 Gr 2 / BS 2789 500.1
<input type="checkbox"/>	Impeller	BS 84 C83 600
<input type="checkbox"/>	Impeller (optional)	A48 Class 35 / BS 84 C83 600
<input type="checkbox"/>	Stationary Wear Rings	BS 84 C93 700
<input type="checkbox"/>	Pump Shaft	A276 type 410
<input type="checkbox"/>	Pump Shaft (optional)	BS 970 316 S16
<input type="checkbox"/>	Mechanical Seal	Carbon/silicon carbide/EPDM (E1)
<input type="checkbox"/>	Other Mechanical Seals	Avail. on request
<input type="checkbox"/>	Additional Spacer Coupling	Avail. on request
<input type="checkbox"/>	Other:	

Approval Stamp

Dimensional Drawing

Single Stage Pump



SCP 3 x 2 x 7 HA

Dimensions - Inches (mm)

Frame	a	L	I	L1	L2	L3	L4	LM	LP	H1	H2	HO	Ht	n	Ød	S1	S2	S3	S4	S5	SL	P5	P6
145T	.50 (13)	40.19 (1021)	14.56 (370)	11.88 (302)	14.50 (368)	7.88 (200)	11.69 (170)	13.31 (338)	26.38 (670)	7.88 (200)	5.31 (135)	17.88 (454)	7.94 (202)	4	.91 (23)	.94 (24)	4.00 (102)	23.88 (606)	8.69 (221)	10.25 (260)	31.88 (810)	-	-
182T	.50 (13)	43.38 (1102)	14.56 (370)	11.88 (302)	14.50 (368)	7.88 (200)	11.69 (170)	16.50 (419)	26.38 (670)	7.88 (200)	5.31 (135)	17.88 (454)	7.94 (202)	4	.91 (23)	.94 (24)	4.00 (102)	25.44 (646)	9.44 (240)	11.00 (279)	33.44 (849)	-	-
184T	.50 (13)	43.44 (1104)	14.56 (370)	11.88 (302)	14.50 (368)	7.88 (200)	11.69 (170)	16.56 (421)	26.38 (670)	7.88 (200)	5.31 (135)	17.88 (454)	7.94 (202)	4	.91 (23)	.94 (24)	4.00 (102)	25.44 (646)	9.44 (240)	11.00 (279)	33.44 (849)	-	-

Flange Dimensions – Suction Side

Dimensions - Inches (mm)

DN S #125	ØD	Ød	Øk	b	n	D2
3	7.50 (191)	5.50 (140)	6.00 (152)	.94 (24)	4	.75 (19)

Flange Dimensions – Discharge Side

Dimensions - Inches (mm)

DN D 125#	ØD	Ød	Øk	b	n	D2
2	6.00 (152)	3.63 (92)	4.75 (121)	.75 (19)	4	.75 (19)

