


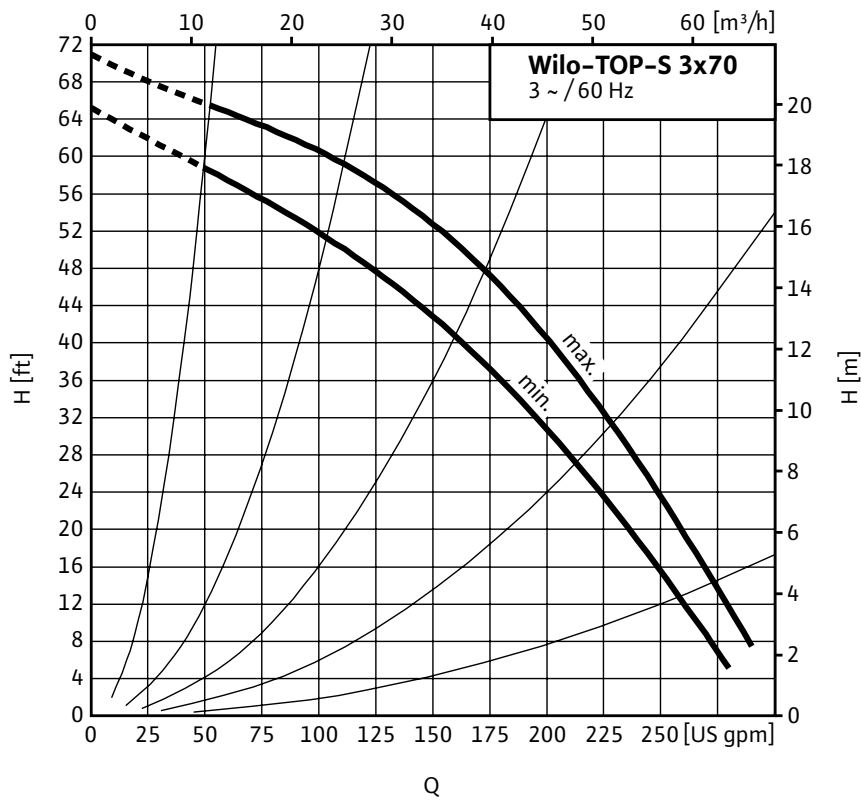
Submittal Data Sheet

Wilco Top S - Commercial Wet Rotor Circulators



Top S - Three Phase

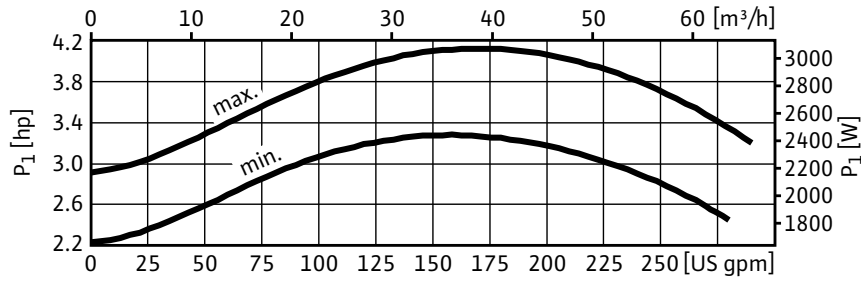
	Project:						
	Engineer:						
	Contractor:						
	Submitted By:				Date:		
	Approved By:				Date:		
Tag #	Model #	Speed	Flow	Head	HP	Phase	Voltage
	Top S 3 x 70					3	



Materials of Construction	
Volute	Cast Iron (Closed Systems) Cataphoresis Coated
Impeller	Engineered composite (PP - 50% GF)
Shaft	Stainless Steel (X40 Cr13) / AISI 420SS
Bearing	Metal Impregnated Carbon
Degree of Protection	Enclosure
Protection Class	H

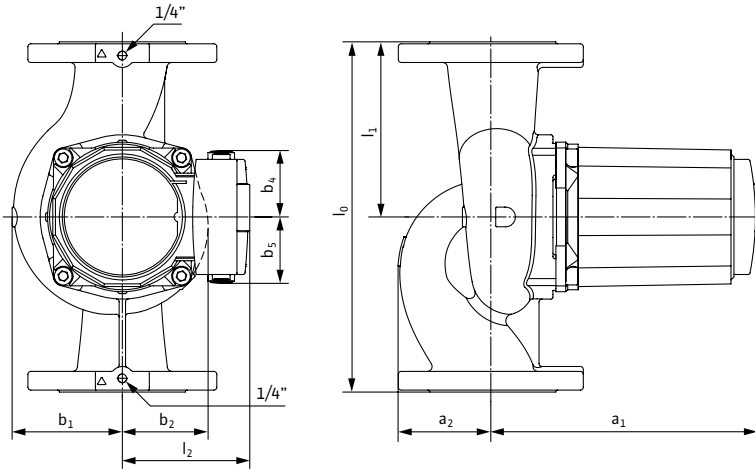
Technical Data	
Max. Temp. Range	14°F 248°F (- 10°C to 120°C)
Ambient Temp. Range	32°F - 104°F (0°C - 40 °C)
Electrical Connections	3~208-230v, 460v, 575v
Max. Working Pressure	145 PSI (10 Bar)
Min. Inlet Pressure 140 °F (60 °C)	6.3 PSI (0.4 Bar)
Min. Inlet Pressure 194 °F (90 °C)	15.4 PSI (1 Bar)
Min. Inlet Pressure 248 °F (120 °C)	38.9 PSI (2.7 Bar)

- | Applications | |
|----------------------|---|
| • Heating Systems | • Cold water and air-conditioning systems |
| • Geothermal Systems | • Water/Glycol up to 50% |
| • Solar Systems | • Industrial Circulation Systems |



Approval Stamp

Dimensions & Weights

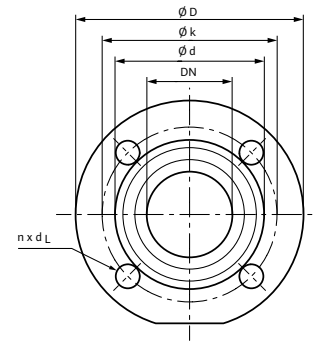


Dimensions and Weights

Model	Dimensions - Inches (mm)									Weight - lbs (kg)
	l_0	l_1	l_2	a_1	a_2	b_1	b_2	b_4	b_5	
Top S 3 x 70	14	7	$6^{1/16}$	$13^{1/16}$	$6^{1/4}$	$4^{11/16}$	$4^{1/4}$	$2^{3/4}$	$2^{3/4}$	97.4
	(356)	(178)	(154)	(332)	(159)	(119)	(108)	(70)	(70)	(44.2)

Flange Dimensions

Dia. (DN)	Dimensions - Inches (mm)				
	ϕD	ϕd_1	ϕd_2	ϕk	$n \times d_L$
3"	$7^{9/16}$	$3^{1/4}$	$5^{1/16}$	6	$4 \times \phi^{3/4}$
	(192)	(82)	(128)	(152)	(4 x $\phi 19$)



Motor Data

Model	hp	Speed RPM	Watts W	FLA		
				3~208-230V	3~460V	3~575V
Top S 3 x 70	$2^{1/8}$	3210-3470	2450-3080	7.7-10.3	3.9-5.1	3.1-4.1