

Submittal Data Sheet

Wilco Top S - Commercial Wet Rotor Circulators

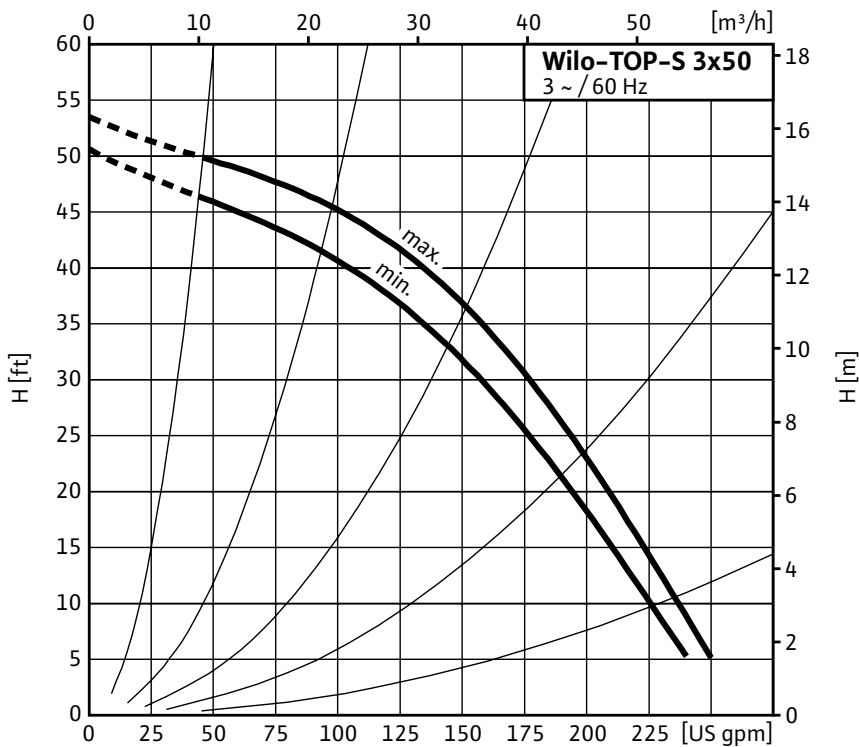


Top S - Three Phase



Project:	
Engineer:	
Contractor:	
Submitted By:	Date:
Approved By:	Date:

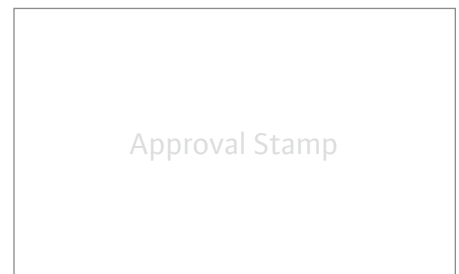
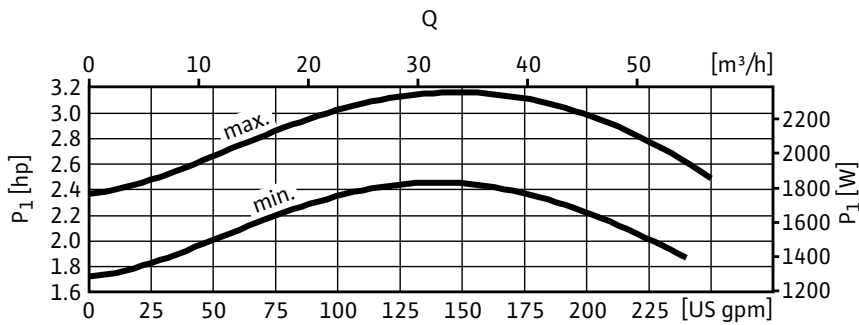
Tag #	Model #	Speed	Flow	Head	HP	Phase	Voltage
	Top S 3 x 50					3	



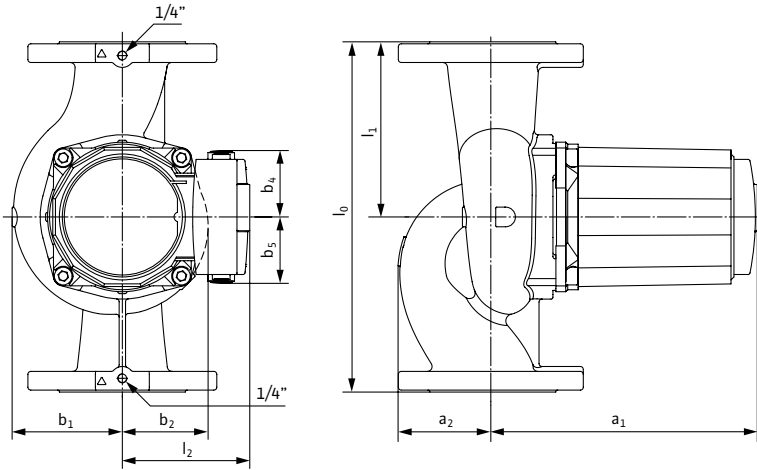
Materials of Construction	
Volute	Cast Iron (Closed Systems) Cataphoresis Coated
Impeller	Engineered composite (PP - 50% GF)
Shaft	Stainless Steel (X40 Cr13) / AISI 420SS
Bearing	Metal Impregnated Carbon
Degree of Protection	Enclosure
Protection Class	H

Technical Data	
Max. Temp. Range	14°F 248°F (- 10°C to 120°C)
Ambient Temp. Range	32°F - 104°F (0°C - 40 °C)
Electrical Connections	3~208-230v, 460v, 575v
Max. Working Pressure	145 PSI (10 Bar)
Min. Inlet Pressure 140 °F (60 °C)	6.3 PSI (0.4 Bar)
Min. Inlet Pressure 194 °F (90 °C)	15.4 PSI (1 Bar)
Min. Inlet Pressure 248 °F (120 °C)	38.9 PSI (2.7 Bar)

Applications	
• Heating Systems	• Cold water and air-conditioning systems
• Geothermal Systems	• Water/Glycol up to 50%
• Solar Systems	• Industrial Circulation Systems



Dimensions & Weights

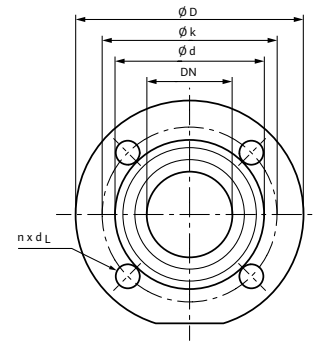


Dimensions and Weights

Model	Dimensions - Inches (mm)									Weight - lbs (kg)
	l_0	l_1	l_2	a_1	a_2	b_1	b_2	b_4	b_5	
Top S 3 x 50	14	7	6 ^{1/16}	13 ^{1/16}	6 ^{1/4}	4 ^{11/16}	4 ^{1/4}	2 ^{3/4}	2 ^{3/4}	97.4
	(356)	(178)	(154)	(332)	(159)	(119)	(108)	(70)	(70)	(44.2)

Flange Dimensions

Dia. (DN)	Dimensions - Inches (mm)				
	ϕD	ϕd_1	ϕd_2	ϕk	$n \times d_L$
3"	7 ^{9/16}	3 ^{1/4}	5 ^{1/16}	6	4 x ϕ 3/4
	(192)	(82)	(128)	(152)	(4 x ϕ 19)



Motor Data

Model	hp	Speed RPM	Watts W	FLA		
				3~208-230V	3~460V	3~575V
Top S 3 x 50	2 ^{1/8}	3340-3510	1835-2360	5.7-8.7	2.9-4.3	2.3-3.5