

Submittal Data Sheet

Wilco Top S - Commercial Wet Rotor Circulators

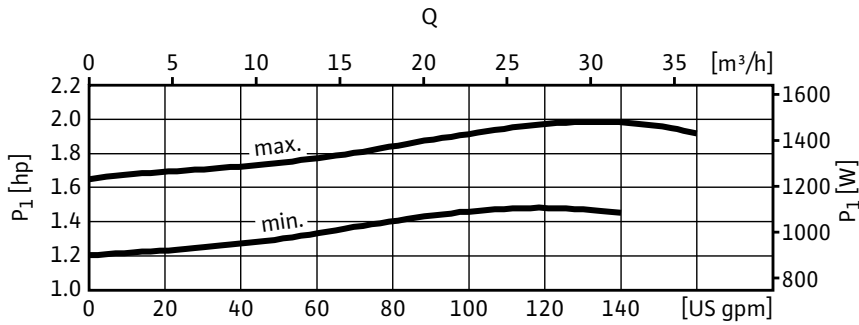
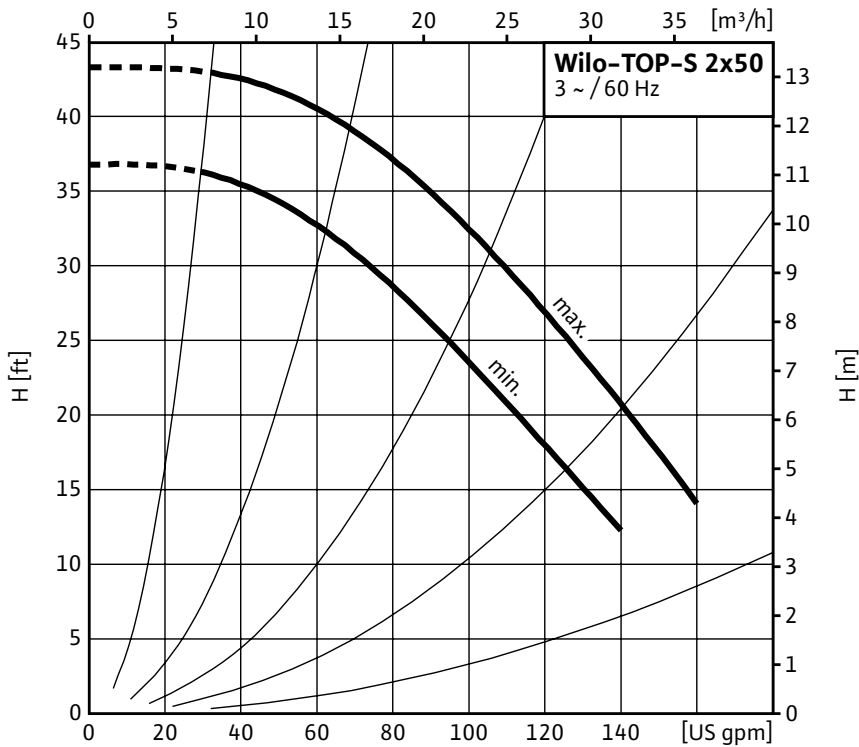


Top S - Three Phase



Project:	
Engineer:	
Contractor:	
Submitted By:	Date:
Approved By:	Date:

Tag #	Model #	Speed	Flow	Head	HP	Phase	Voltage
	Top S 2 x 50					3	



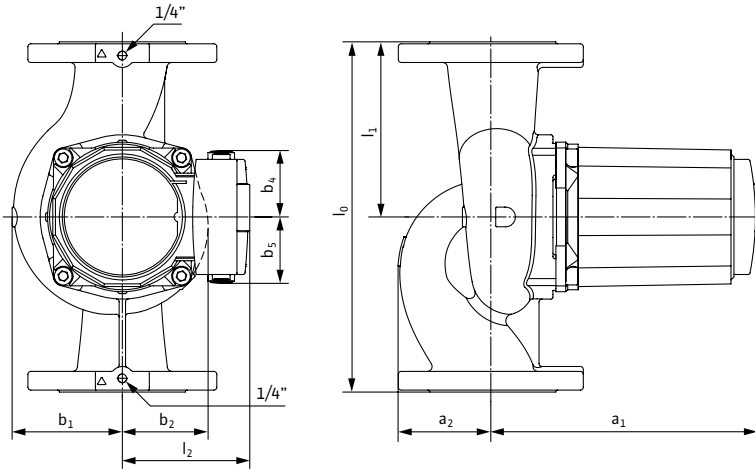
Materials of Construction	
Volute	Cast Iron (Closed Systems) Cataphoresis Coated
Impeller	Engineered composite (PP - 50% GF)
Shaft	Stainless Steel (X40 Cr13) / AISI 420SS
Bearing	Metal Impregnated Carbon
Degree of Protection	Enclosure
Protection Class	H

Technical Data	
Max. Temp. Range	14°F 248°F (- 10°C to 120°C)
Ambient Temp. Range	32°F - 104°F (0°C - 40 °C)
Electrical Connections	3~208-230v, 460v, 575v
Max. Working Pressure	145 PSI (10 Bar)
Min. Inlet Pressure 140 °F (60 °C)	6.3 PSI (0.4 Bar)
Min. Inlet Pressure 194 °F (90 °C)	15.4 PSI (1 Bar)
Min. Inlet Pressure 248 °F (120 °C)	38.9 PSI (2.7 Bar)

Applications	
• Heating Systems	• Cold water and air-conditioning systems
• Geothermal Systems	• Water/Glycol up to 50%
• Solar Systems	• Industrial Circulation Systems

Approval Stamp

Dimensions & Weights

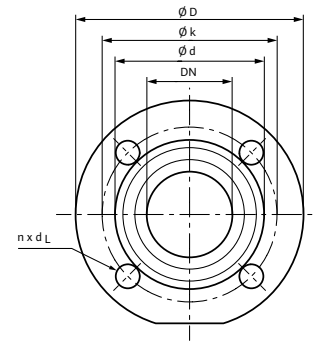


Dimensions and Weights

Model	Dimensions - Inches (mm)									Weight - lbs (kg)
	l_0	l_1	l_2	a_1	a_2	b_1	b_2	b_4	b_5	
Top S 2 x 50	13½	6¾	5⅞	11 ⁷ / ₁₆	3 ⁷ / ₁₆	4 ¹ / ₈	3 ⁹ / ₁₆	2¾	2¾	50.3
	(343)	(171.5)	(130)	(290)	(88)	(105)	(90)	(70)	(70)	(22.8)

Flange Dimensions

Dia. (DN)	Dimensions - Inches (mm)				
	ϕD	ϕd_1	ϕd_2	ϕk	$n \times d_L$
2"	5¼	2 ¹ / ₁₆	3 ⁷ / ₁₆	4	4 x ϕ ½
	(133)	(53)	(87)	(102)	(4 x ϕ 14)



Motor Data

Model	hp	Speed RPM	Watts W	FLA		
				3~208-230V	3~460V	3~575V
Top S 2 x 50	1½	3080-3420	1105-1480	3.4-5.2	1.7-2.6	1.4-2.1