

# Submittal Data Sheet

## Wilco Top S - Commercial Wet Rotor Circulators

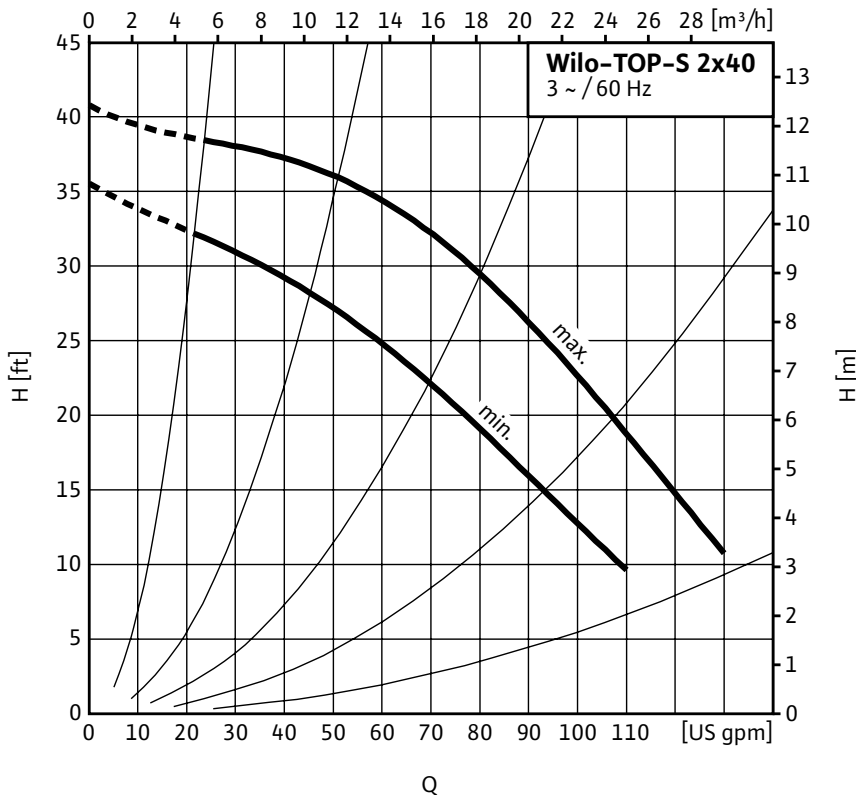


### Top S - Three Phase



|               |       |
|---------------|-------|
| Project:      |       |
| Engineer:     |       |
| Contractor:   |       |
| Submitted By: | Date: |
| Approved By:  | Date: |

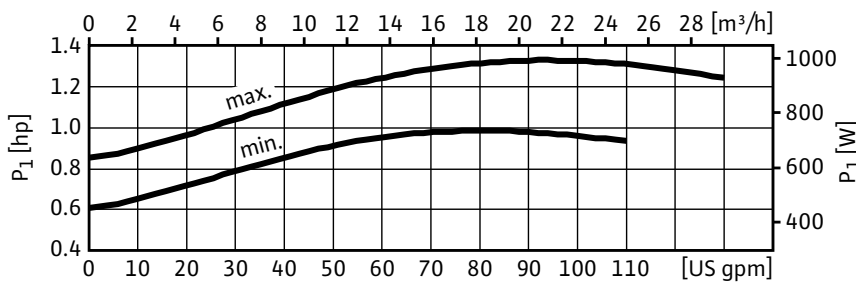
| Tag # | Model #      | Speed | Flow | Head | HP | Phase | Voltage |
|-------|--------------|-------|------|------|----|-------|---------|
|       | Top S 2 x 40 |       |      |      |    | 3     |         |



| Materials of Construction |   |
|---------------------------|---|
| Volute                    | Cast Iron (Closed Systems)<br>Cataphoresis Coated |
| Impeller                  | Engineered composite (PP - 50% GF)                |
| Shaft                     | Stainless Steel (X40 Cr13) / AISI 420SS           |
| Bearing                   | Metal Impregnated Carbon                          |
| Degree of Protection      | Enclosure   |
| Protection Class          | H   |

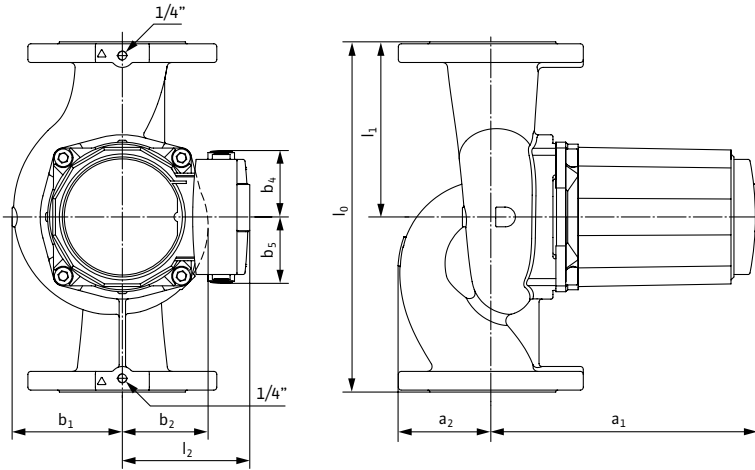
| Technical Data                      |                                 |
|-------------------------------------|---------------------------------|
| Max. Temp. Range                    | 14°F 248°F<br>(- 10°C to 120°C) |
| Ambient Temp. Range                 | 32°F - 104°F<br>(0°C - 40 °C)   |
| Electrical Connections              | 3~208-230v, 460v, 575v          |
| Max. Working Pressure               | 145 PSI (10 Bar)                |
| Min. Inlet Pressure 140 °F (60 °C)  | 6.3 PSI (0.4 Bar)               |
| Min. Inlet Pressure 194 °F (90 °C)  | 15.4 PSI (1 Bar)                |
| Min. Inlet Pressure 248 °F (120 °C) | 38.9 PSI (2.7 Bar)              |

| Applications         |   |
|----------------------|---|
| • Heating Systems    | • Cold water and air-conditioning systems |
| • Geothermal Systems | • Water/Glycol up to 50%                  |
| • Solar Systems      | • Industrial Circulation Systems          |



Approval Stamp

### Dimensions & Weights

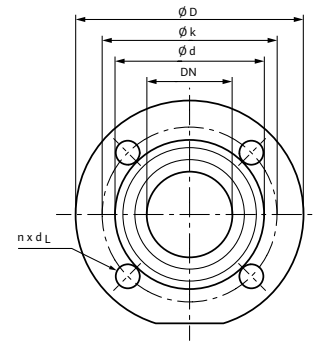


### Dimensions and Weights

| Model        | Dimensions - Inches (mm) |         |       |       |       |       |       |       |       | Weight - lbs (kg) |
|--------------|--------------------------|---------|-------|-------|-------|-------|-------|-------|-------|-------------------|
|              | $l_0$                    | $l_1$   | $l_2$ | $a_1$ | $a_2$ | $b_1$ | $b_2$ | $b_4$ | $b_5$ |                   |
| Top S 2 x 40 | 11                       | 5½      | 5⅛    | 10¾   | 2¾    | 4     | 3⅜    | 2¾    | 2¾    | 42.3              |
|              | (279)                    | (139.5) | (130) | (263) | (70)  | (101) | (86)  | (70)  | (70)  | (19.2)            |

### Flange Dimensions

| Dia. (DN) | Dimensions - Inches (mm) |            |            |          |                 |
|-----------|--------------------------|------------|------------|----------|-----------------|
|           | $\phi D$                 | $\phi d_1$ | $\phi d_2$ | $\phi k$ | $n \times d_L$  |
| 2"        | 5¼                       | 2⅛         | 3⅞         | 4        | 4 x $\phi$ ½    |
|           | (133)                    | (53)       | (87)       | (102)    | (4 x $\phi$ 14) |



### Motor Data

| Model        | hp | Speed<br>RPM | Watts<br>W | FLA        |         |         |
|--------------|----|--------------|------------|------------|---------|---------|
|              |    |              |            | 3~208-230V | 3~460V  | 3~575V  |
| Top S 2 x 40 | ¾  | 2940-3380    | 740-995    | 2.3-3.5    | 1.1-1.7 | 0.9-1.4 |