

Submittal Data Sheet

Wilco Top S - Commercial Wet Rotor Circulators

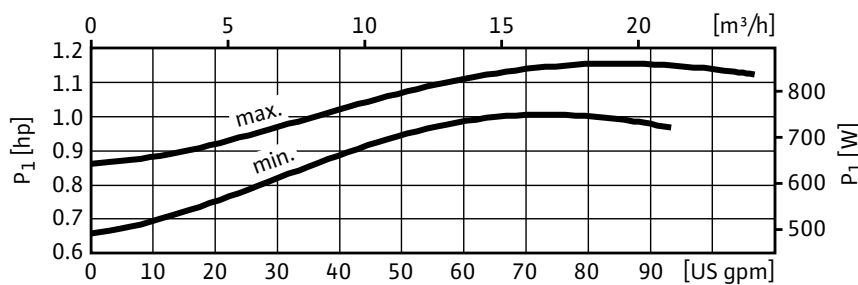
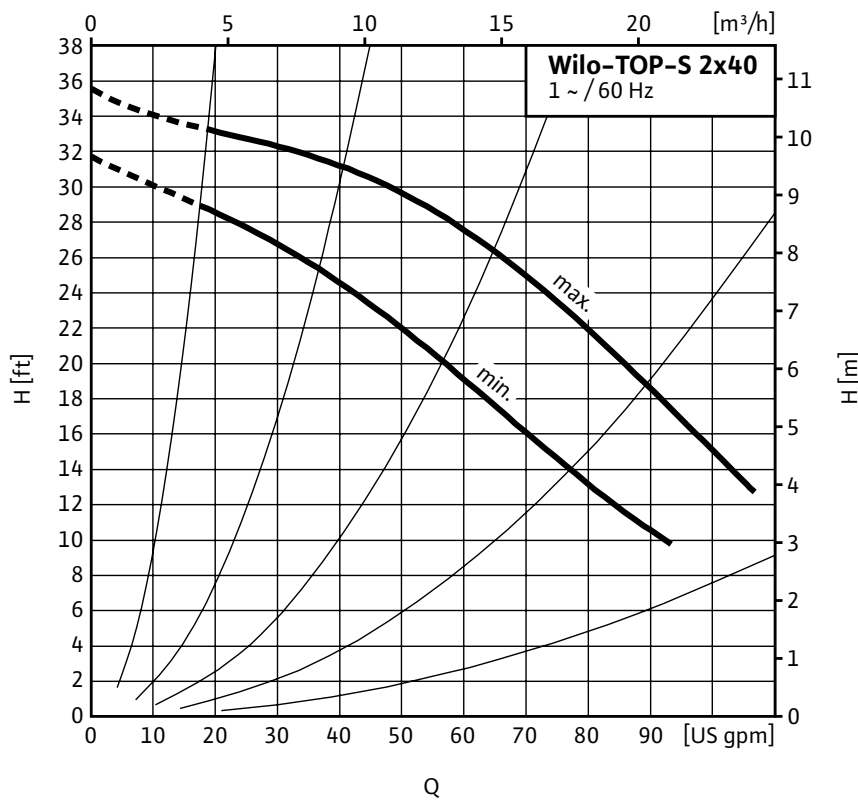


Top S - Single Phase



Project:	
Engineer:	
Contractor:	
Submitted By:	Date:
Approved By:	Date:

Tag #	Model #	Speed	Flow	Head	HP	Phase	Voltage
	Top S 2 x 40					1	



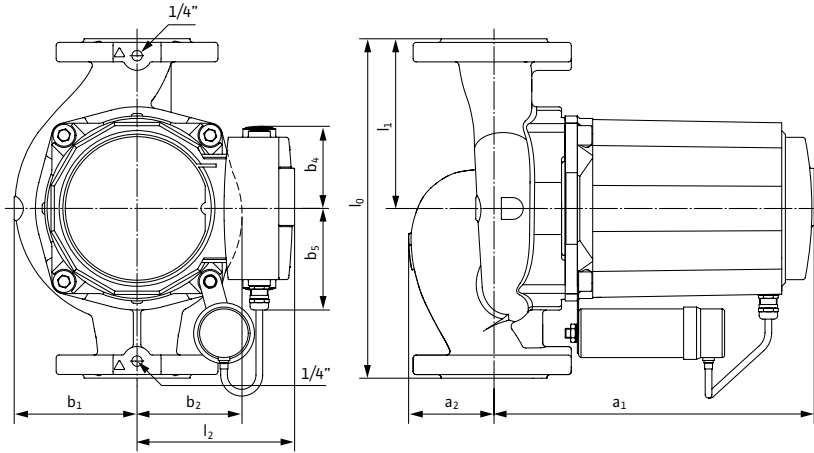
Materials of Construction	
Volute	Cast Iron (Closed Systems) Cataphoresis Coated
Impeller	Engineered composite (PP - 50% GF)
Shaft	Stainless Steel (X40 Cr13) / AISI 420SS
Bearing	Metal Impregnated Carbon
Degree of Protection	Enclosure
Protection Class	H

Technical Data	
Max. Temp. Range	14°F 248°F (- 10°C to 120°C)
Ambient Temp. Range	32°F - 104°F (0°C - 40 °C)
Electrical Connections	1~115, 1~230v
Max. Working Pressure	145 PSI (10 Bar)
Min. Inlet Pressure 140 °F (60 °C)	6.3 PSI (0.4 Bar)
Min. Inlet Pressure 194 °F (90 °C)	15.4 PSI (1 Bar)
Min. Inlet Pressure 248 °F (120 °C)	38.9 PSI (2.7 Bar)

- | Applications | |
|----------------------|---|
| • Heating Systems | • Cold water and air-conditioning systems |
| • Geothermal Systems | • Water/Glycol up to 50% |
| • Solar Systems | • Industrial Circulation Systems |

Approval Stamp

Dimensions & Weights

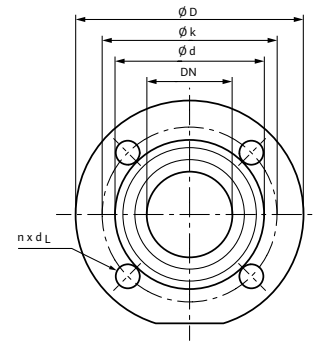


Dimensions and Weights

Model	Dimensions - Inches (mm)									Weight - lbs (kg)
	l_0	l_1	l_2	a_1	a_2	b_1	b_2	b_4	b_5	
Top S 2 x 40	11	5½	5⅞	10¾	2½	4	3¾	2¾	3⅝	43
	(279)	(139.5)	(130)	(263)	(70)	(101)	(86)	(70)	(83.5)	(19.5)

Flange Dimensions

Dia. (DN)	Dimensions - Inches (mm)				
	ϕD	ϕd_1	ϕd_2	ϕk	$n \times d_L$
2"	5¼	2⅛	3⅞	4	4 x ϕ ½
	(133)	(53)	(87)	(102)	(4 x ϕ 14)



Motor Data

Model	hp	Speed	Watts	FLA	FLA
		RPM	W	1~115V	1~230V
Top S 2 x 40	¾	2800-3200	750-860	7.6-8.0	3.8-4.0