

# Submittal Data Sheet

## Wilco Stratos Z - High Efficiency Domestic Hot Water Circulator

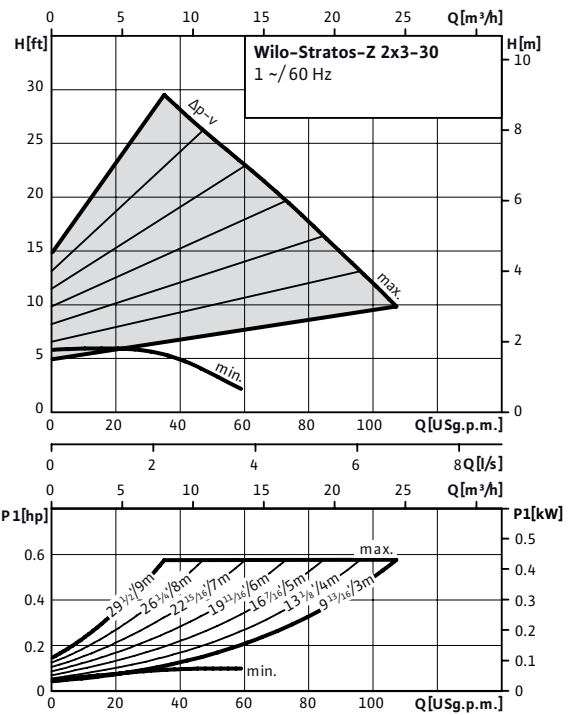
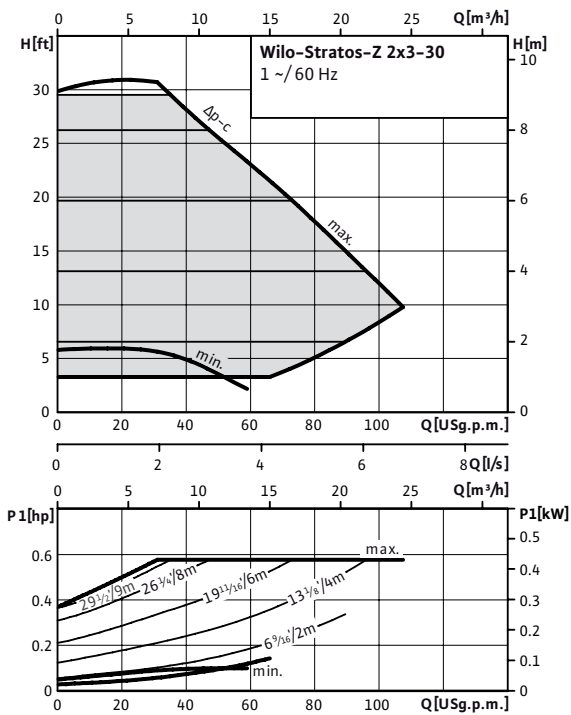


### Stratos Z 2x3-30



Project:	
Engineer:	
Contractor:	
Submitted By:	Date:
Approved By:	Date:

Tag #	Model #	Flow	Head	Control Mode	Cycle	Phase	Voltage
	Stratos Z 2x3-30				60Hz	1	230



#### Technical Data

Liquid Temp Range	14°F to 230°F (-10°C to 110 °C)
Max Temperature	104°F (40°C)
Min. Suction Pressure (122°F)	7.1 PSI
Min. Suction Pressure (203°F)	17.1 PSI
Min. Suction Pressure (230°F)	25.6 PSI

#### Materials of Construction

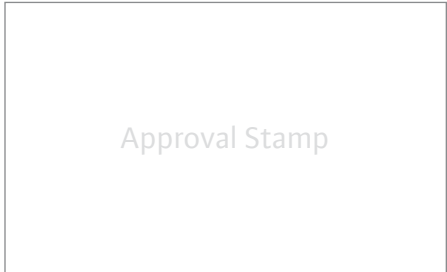
Pump Volute	Stainless steel (AISI CF-8M)
Impeller	Composite (PPS-40% GF)
Shaft	Stainless Steel (X39CrMo17-1)
Bearing	Carbon, synthetic resin impregnated

#### IR Module Selection

Module 1	Module
	BACnet / Dual Pump
	LONworks / Dual Pump
	SBM Run Signal / Ext. Off / Dual Pump
	SBM Run Signal / 0-10v / Dual Pump
	Ext. Min / 0-10v / Dual Pump
	Ext. Off / 0-10v / Dual Pump
	None

#### Applications

• Heating Systems	• Cooling Circuits
• Air Conditioning	• Industrial Circulation
• Solar Systems	• Geothermal Systems

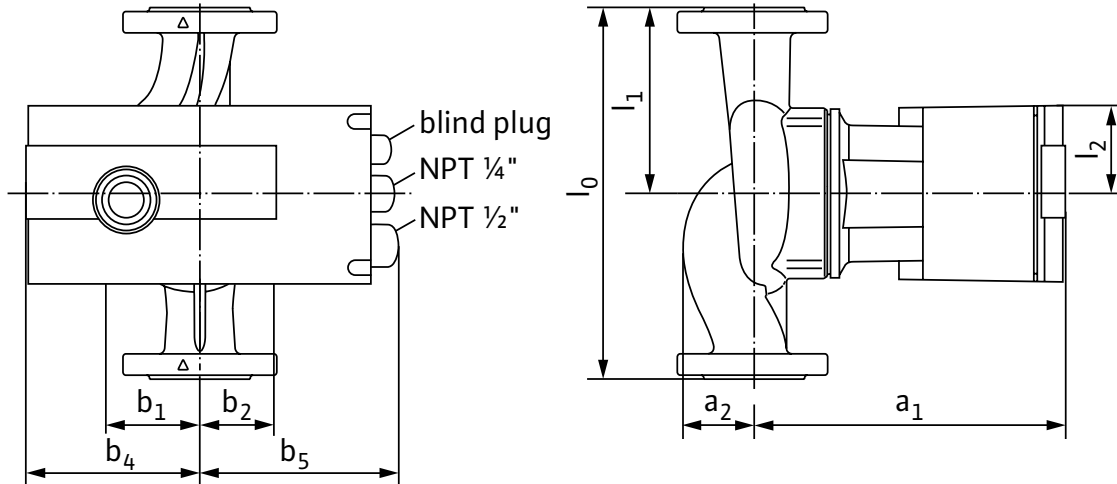


# Submittal Data Sheet

Wilo Stratos Z - High Efficiency Domestic Hot Water Circulator



## Dimensions & Weights

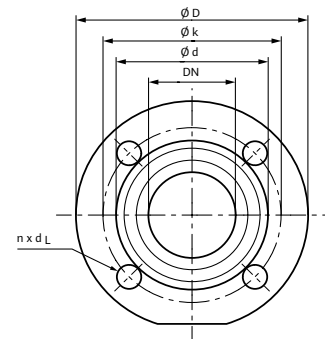


## Dimensions and Weights

Model	Dimensions - Inches (mm)									Weight - lbs (kg)
	$l_0$	$l_1$	$l_2$	$a_1$	$a_2$	$b_1$	$b_2$	$b_4$	$b_5$	
Stratos Z 2x3-30	11	5½	2 <sup>5</sup> / <sub>8</sub>	10 <sup>1</sup> / <sub>16</sub>	2½	¾	2½	4¾	6 <sup>7</sup> / <sub>16</sub>	30.86
	(279)	(139.5)	(66)	(256)	(63)	(82)	(64)	(120)	(163)	(14.0)

## Flange Dimensions

Dia.	Dimensions - Inches (mm)			
	$\varnothing D$	$\varnothing d$	$\varnothing k$	$n \times d_L$
2"	5¼	3 <sup>7</sup> / <sub>16</sub>	4	4 x <sup>9</sup> / <sub>16</sub>
	(133)	(87)	(102)	(4 x 14)



## ECM Motor Data

Model	hp	Speed	Watts	FLA	FLA
		RPM	W	1~230V	3~230V
Stratos Z 2x3-30	0.469	1400-4100	25-430	0.20-1.88	0.20-1.88

