

Submittal Data Sheet

Wilco Stratos - High Efficiency Circulators

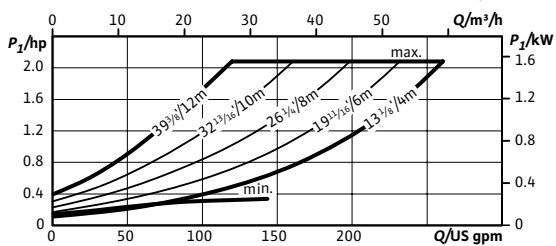
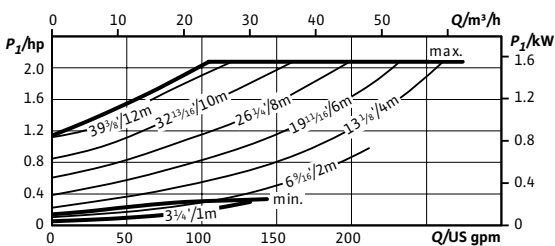
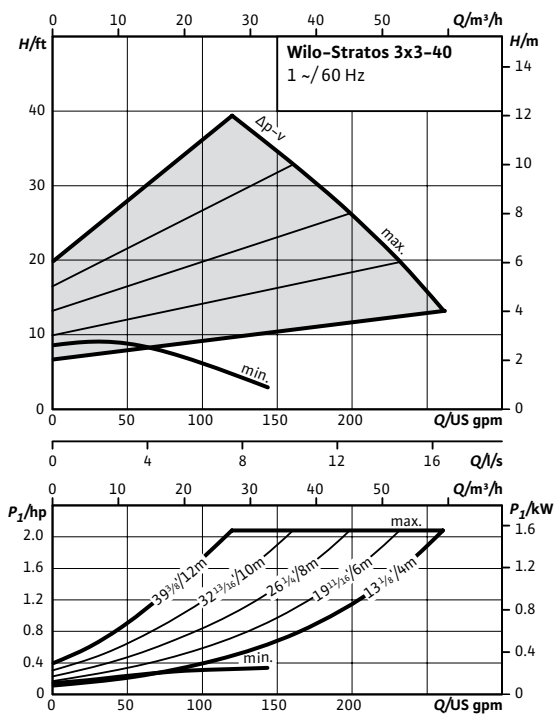
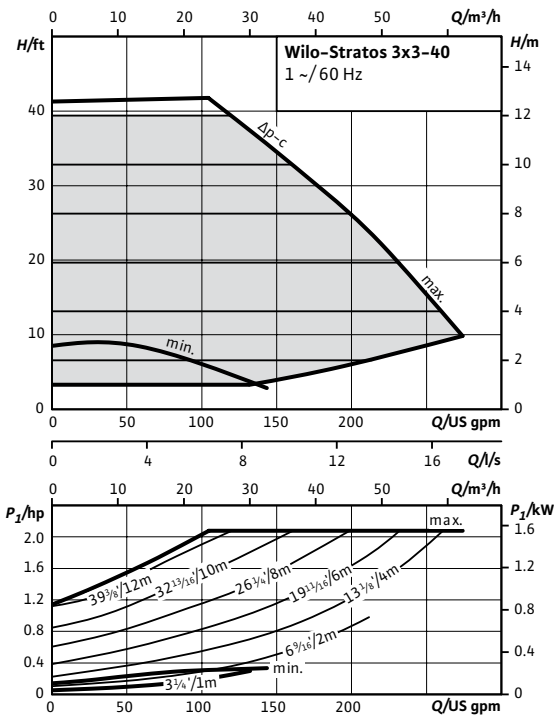


Stratos 3x3-40



Project:	
Engineer:	
Contractor:	
Submitted By:	Date:
Approved By:	Date:

Tag #	Model #	Flow	Head	Control Mode	Cycle	Phase	Voltage
	Stratos 3x3-40				60Hz	1	230



Technical Data

Liquid Temp Range	14°F to 230°F (-10°C to 110 °C)
Max Temperature	104°F (40°C)
Min. Suction Pressure (122°F)	10.0 PSI
Min. Suction Pressure (203°F)	21.3 PSI
Min. Suction Pressure (230°F)	32.7 PSI

Materials of Construction

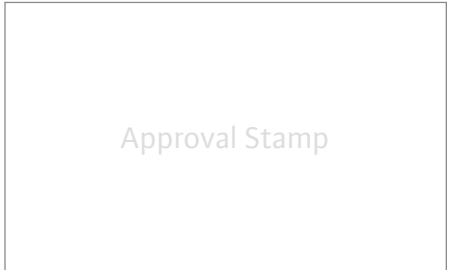
Pump Volute	Grey Cast Iron (EN-GJL-250)
Impeller	Engineered Composite (PPS - 50% GF)
Shaft	Stainless Steel (X46Cr13)
Bearing	Carbon, Metal Impregnated

IR Module Selection

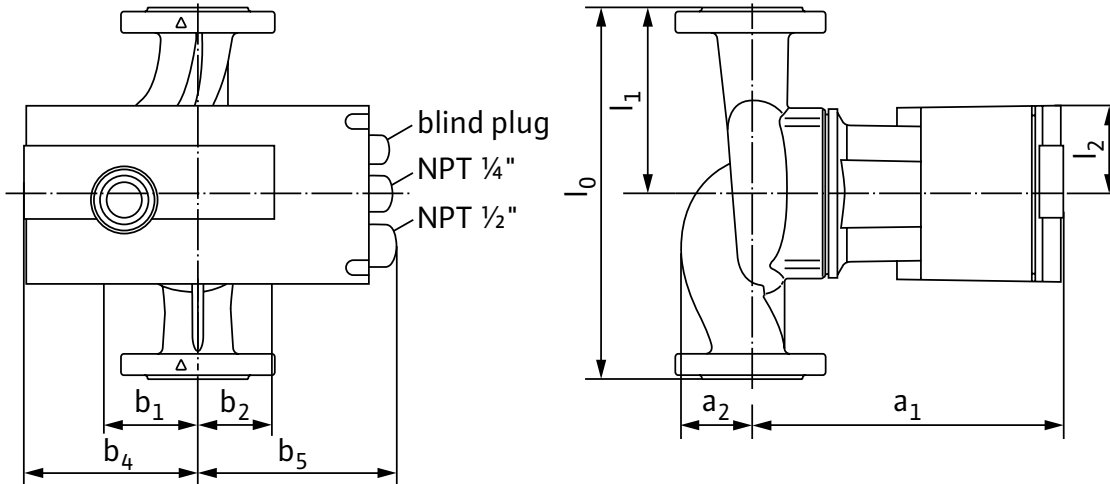
Module 1	Module
	BACnet / Dual Pump
	LONworks / Dual Pump
	SBM Run Signal / Ext. Off / Dual Pump
	SBM Run Signal / 0-10v / Dual Pump
	Ext. Min / 0-10v / Dual Pump
	Ext. Off / 0-10v / Dual Pump
	None

Applications

• Heating Systems	• Cooling Circuits
• Air Conditioning	• Hydronic Heating & Cooling
• Solar Systems	• Geothermal Systems



Dimensions & Weights

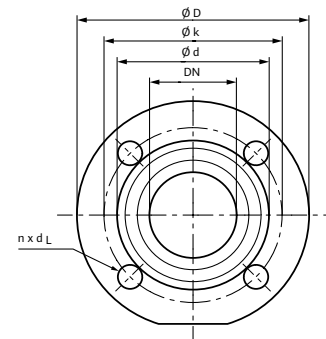


Dimensions and Weights

Model	Dimensions - Inches (mm)									Weight - lbs (kg)
	l_0	l_1	l_2	a_1	a_2	b_1	b_2	b_4	b_5	
Stratos 3x3-40	14	7	3 ^{1/16}	12 ^{15/16}	3 ^{9/16}	4 ^{7/16}	3 ^{9/16}	6 ^{1/8}	7 ^{1/2}	66.14
	(356)	(178)	(78)	(329)	(90)	(113)	(90)	(156)	(191)	(30.0)

Flange Dimensions

Dia.	Dimensions - Inches (mm)			
	ϕD	ϕd	ϕk	$n \times d_L$
3"	7 ^{9/16}	5 ^{1/16}	6	4 x 3/4
	(192)	(128)	(152)	(4 x 19)



ECM Motor Data

Model	hp	Speed	Watts	FLA	FLA
		RPM	W	1~230V	3~230V
Stratos 3x3-40	1.743	900-3300	40-1550	0.32-6.80	0.32-6.80

