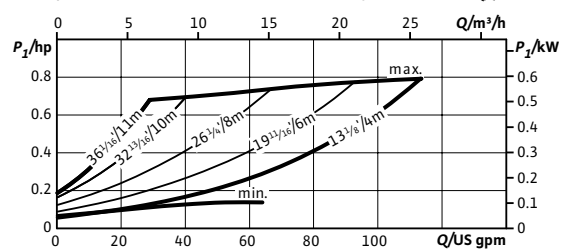
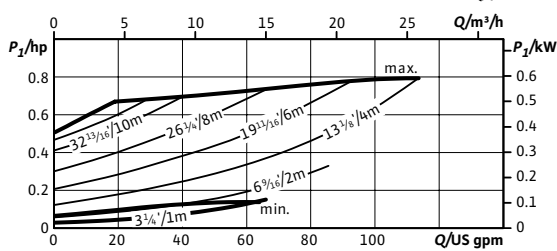
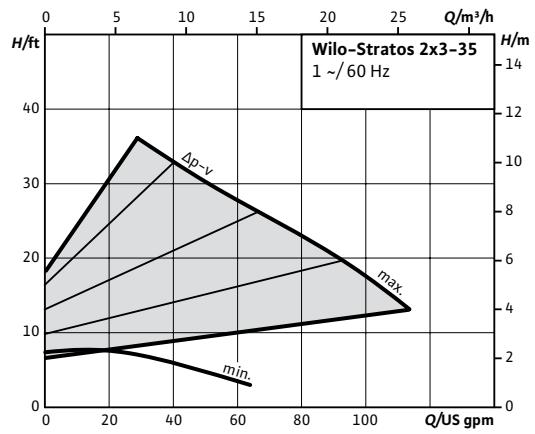
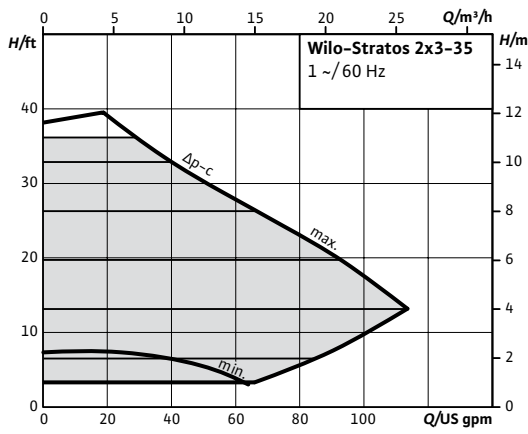


Stratos 2x3-35



Project:	
Engineer:	
Contractor:	
Submitted By:	Date:
Approved By:	Date:

Tag #	Model #	Flow	Head	Control Mode	Cycle	Phase	Voltage
	Stratos 2x3-35				60Hz	1	230



Technical Data

Liquid Temp Range	14°F to 230°F (-10°C to 110°C)
Max Temperature	104°F (40°C)
Min. Suction Pressure (122°F)	7.1 PSI
Min. Suction Pressure (203°F)	17.1 PSI
Min. Suction Pressure (230°F)	25.6 PSI

Materials of Construction

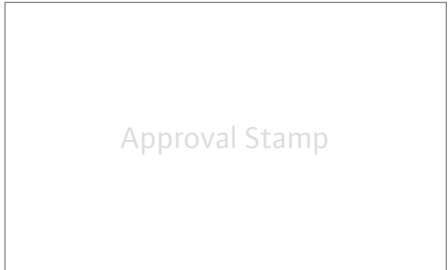
Pump Volute	Grey Cast Iron (EN-GJL-250)
Impeller	Engineered Composite (PPS - 40% GF)
Shaft	Stainless Steel (X46Cr13)
Bearing	Carbon, Metal Impregnated

IR Module Selection

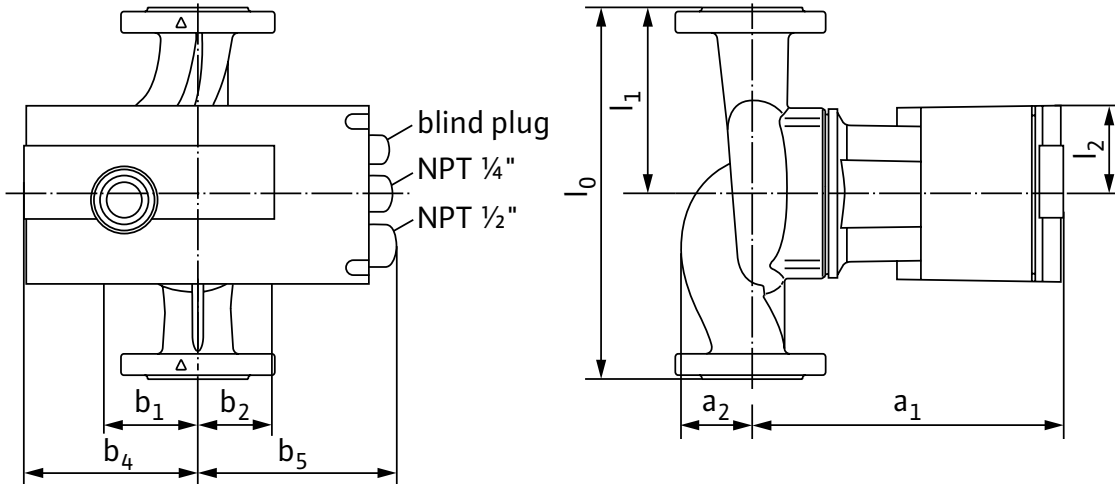
Module 1	Module
	BACnet / Dual Pump
	LONworks / Dual Pump
	SBM Run Signal / Ext. Off / Dual Pump
	SBM Run Signal / 0-10v / Dual Pump
	Ext. Min / 0-10v / Dual Pump
	Ext. Off / 0-10v / Dual Pump
	None

Applications

• Heating Systems	• Cooling Circuits
• Air Conditioning	• Hydronic Heating & Cooling
• Solar Systems	• Geothermal Systems



Dimensions & Weights

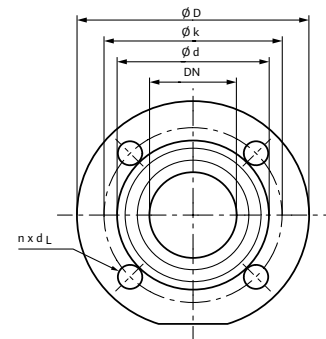


Dimensions and Weights

Model	Dimensions - Inches (mm)									Weight - lbs (kg)
	l_0	l_1	l_2	a_1	a_2	b_1	b_2	b_4	b_5	
Stratos 2x3-35	11	5 ^{1/2}	2 ^{5/8}	10 ^{1/16}	2 ^{1/2}	3 ^{1/4}	2 ^{1/2}	4 ^{3/4}	6 ^{7/16}	28.66
	(279)	(139.5)	(66)	(256)	(63)	(82)	(64)	(120)	(163)	(13.0)

Flange Dimensions

Dia.	Dimensions - Inches (mm)			
	ϕD	ϕd	ϕk	$n \times d_L$
2"	5 ^{1/4}	3 ^{7/16}	4	4 x ^{9/16}
	(133)	(87)	(102)	(4 x 14)



ECM Motor Data

Model	hp	Speed	Watts	FLA	FLA
		RPM	W	1~230V	3~230V
Stratos 2x3-35	0.671	1400-4600	25-590	0.20-2.60	0.20-2.60

