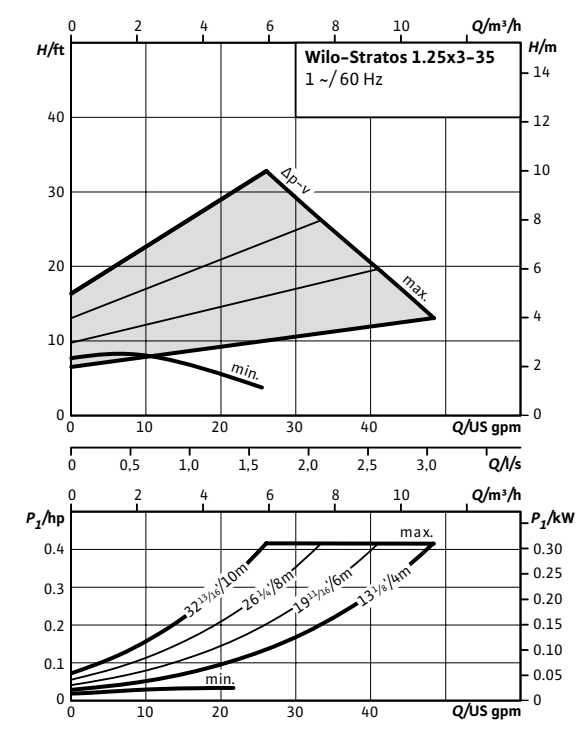
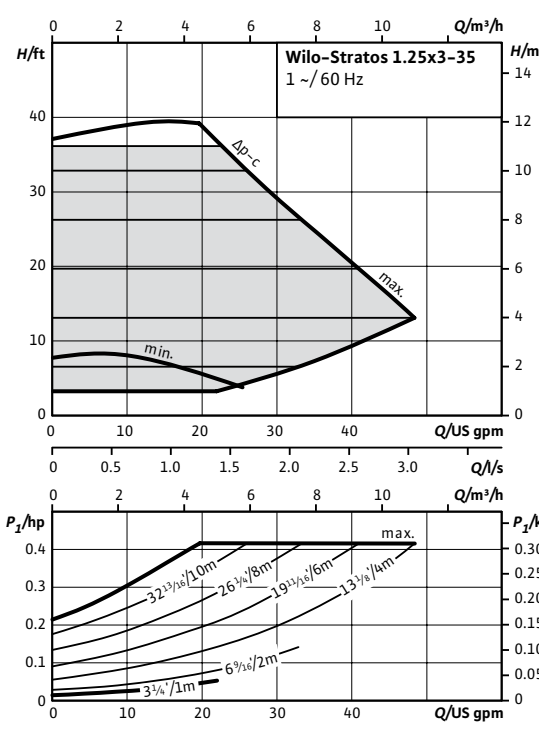


### Stratos 1.25x3-35

	Project:						
	Engineer:						
	Contractor:						
	Submitted By:				Date:		
	Approved By:				Date:		
Tag #	Model #	Flow	Head	Control Mode	Cycle	Phase	Voltage
	Stratos 1.25x3-35				60Hz	1	230



#### Technical Data

Liquid Temp Range	14°F to 230°F (-10°C to 110°C)
Max Temperature	104°F (40°C)
Min. Suction Pressure (122°F)	4.3 PSI
Min. Suction Pressure (203°F)	14.2 PSI
Min. Suction Pressure (230°F)	22.8 PSI

#### Materials of Construction

Pump Volute	Grey Cast Iron (EN-GJL-250)
Impeller	Engineered Composite (PPS - 40% GF)
Shaft	Stainless Steel (X46Cr13)
Bearing	Carbon, Metal Impregnated

#### IR Module Selection

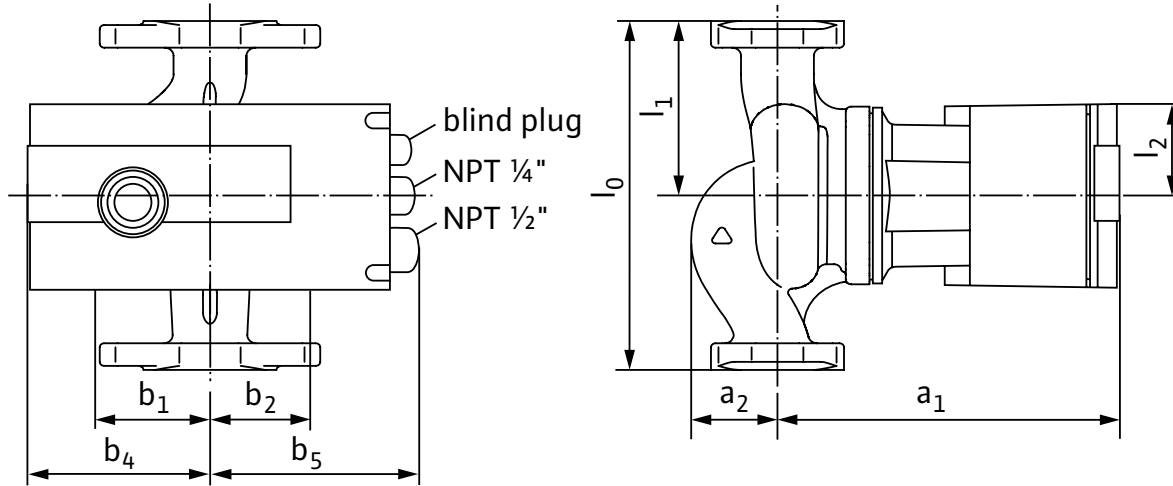
Module 1	Module
	BACnet / Dual Pump
	LONworks / Dual Pump
	SBM Run Signal / Ext. Off / Dual Pump
	SBM Run Signal / 0-10v / Dual Pump
	Ext. Min / 0-10v / Dual Pump
	Ext. Off / 0-10v / Dual Pump
	None

#### Applications

- Heating Systems
- Cooling Circuits
- Air Conditioning
- Hydronic Heating & Cooling
- Solar Systems
- Geothermal Systems

Approval Stamp

Dimensions & Weights

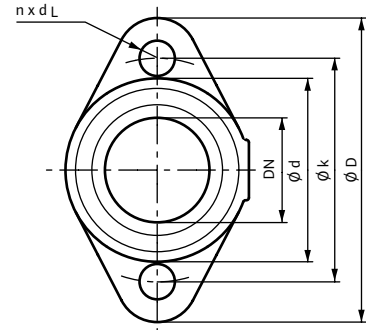


Dimensions and Weights

Model	Dimensions - Inches (mm)									Weight - lbs (kg)
	$l_0$	$l_1$	$l_2$	$a_1$	$a_2$	$b_1$	$b_2$	$b_4$	$b_5$	
Stratos 1.25x3-35	8 <sup>1/2</sup>	4 <sup>1/4</sup>	2 <sup>3/16</sup>	7 <sup>15/16</sup>	1 <sup>15/16</sup>	2 <sup>3/8</sup>	2 <sup>3/16</sup>	4 <sup>3/16</sup>	5 <sup>3/4</sup>	14.55
	(216)	(108)	(55)	(201)	(50)	(61)	(55)	(106)	(146)	(6.6)

Flange Dimensions

Dimensions - Inches (mm)				
Dia.	$\phi D$	$\phi d$	$\phi k$	$n \times d_L$
1 1/4"	4 3/4	2 7/8	3 1/2	2 x 9/16
	(121)	(73)	(89)	(2 x 14)



ECM Motor Data

Model	hp	Speed	Watts	FLA	FLA
		RPM	W	1~230V	3~230V
Stratos 1.25x3-35	0.268	1600-4800	16-310	0.16-1.37	0.16-1.37

